

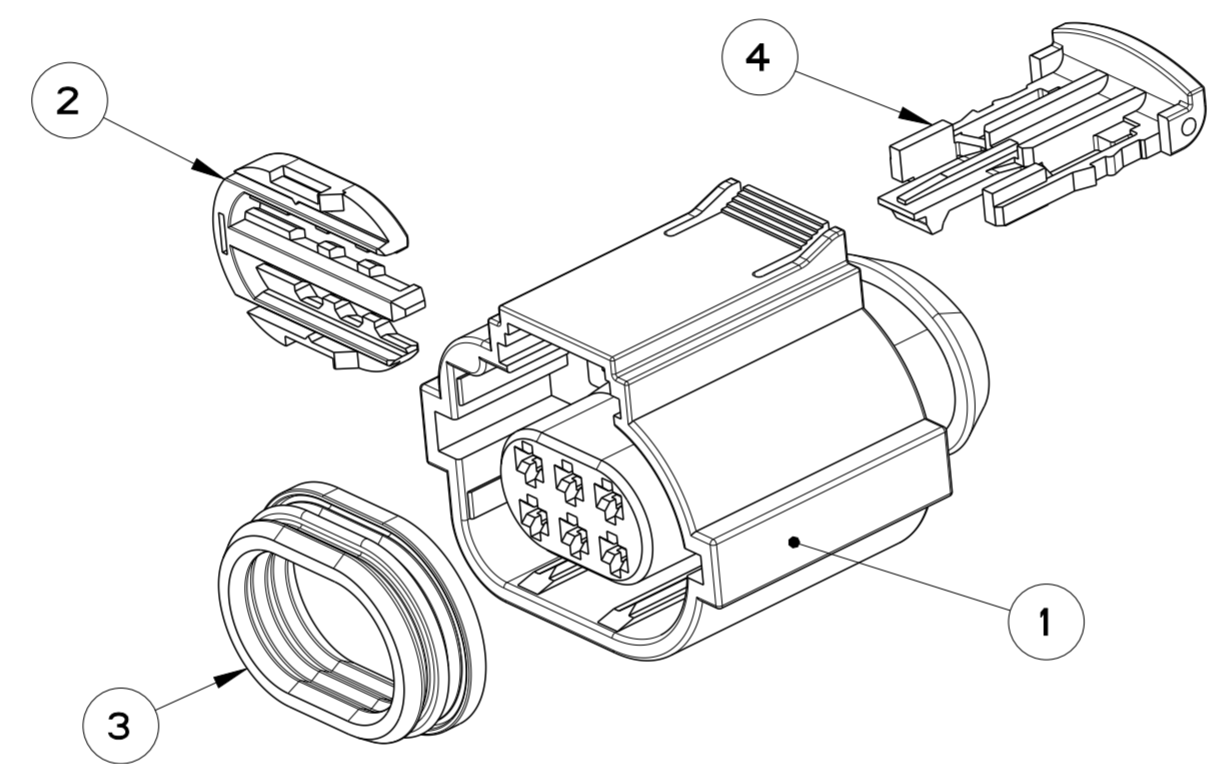
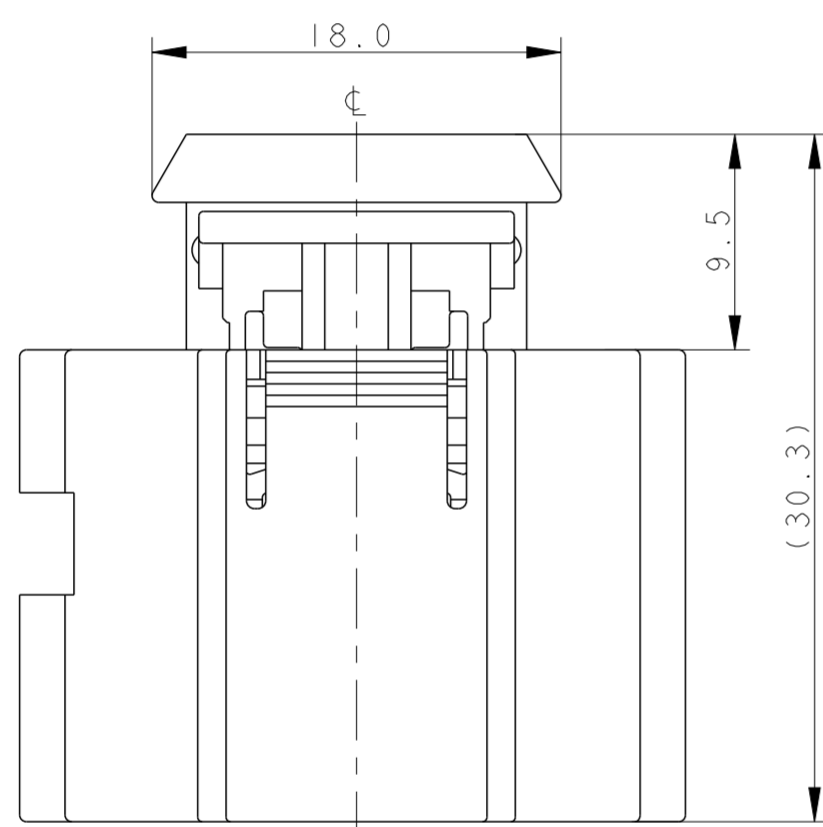
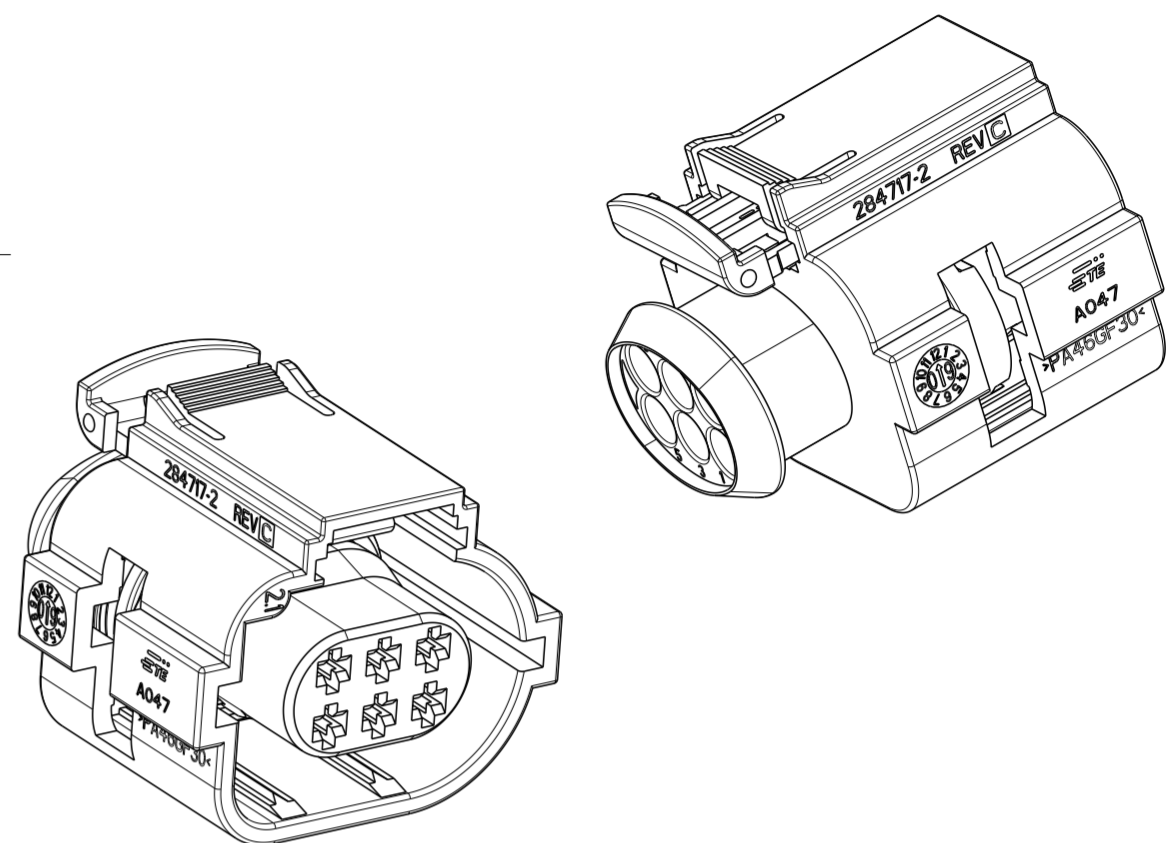
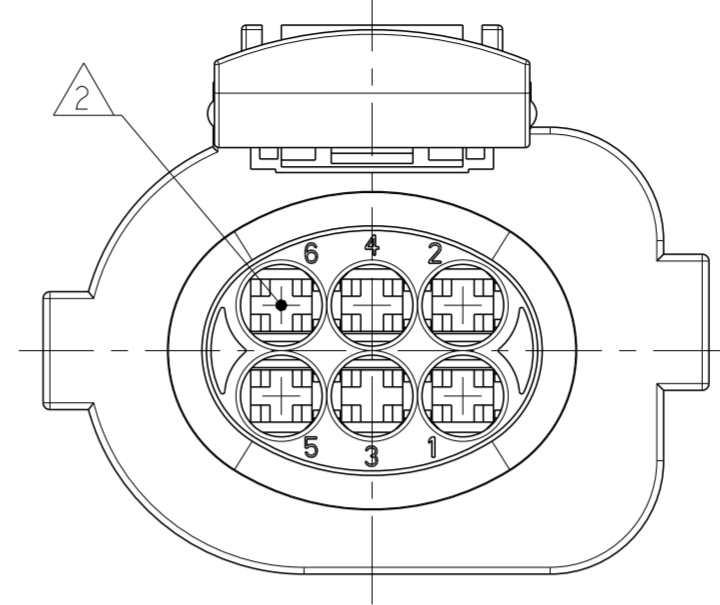
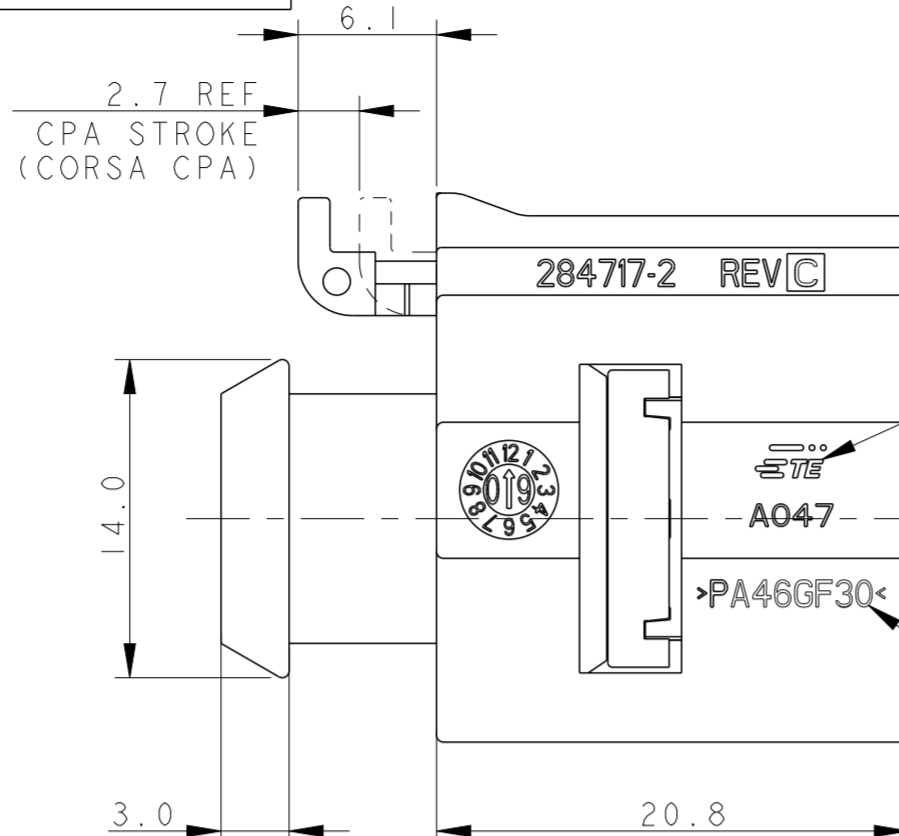
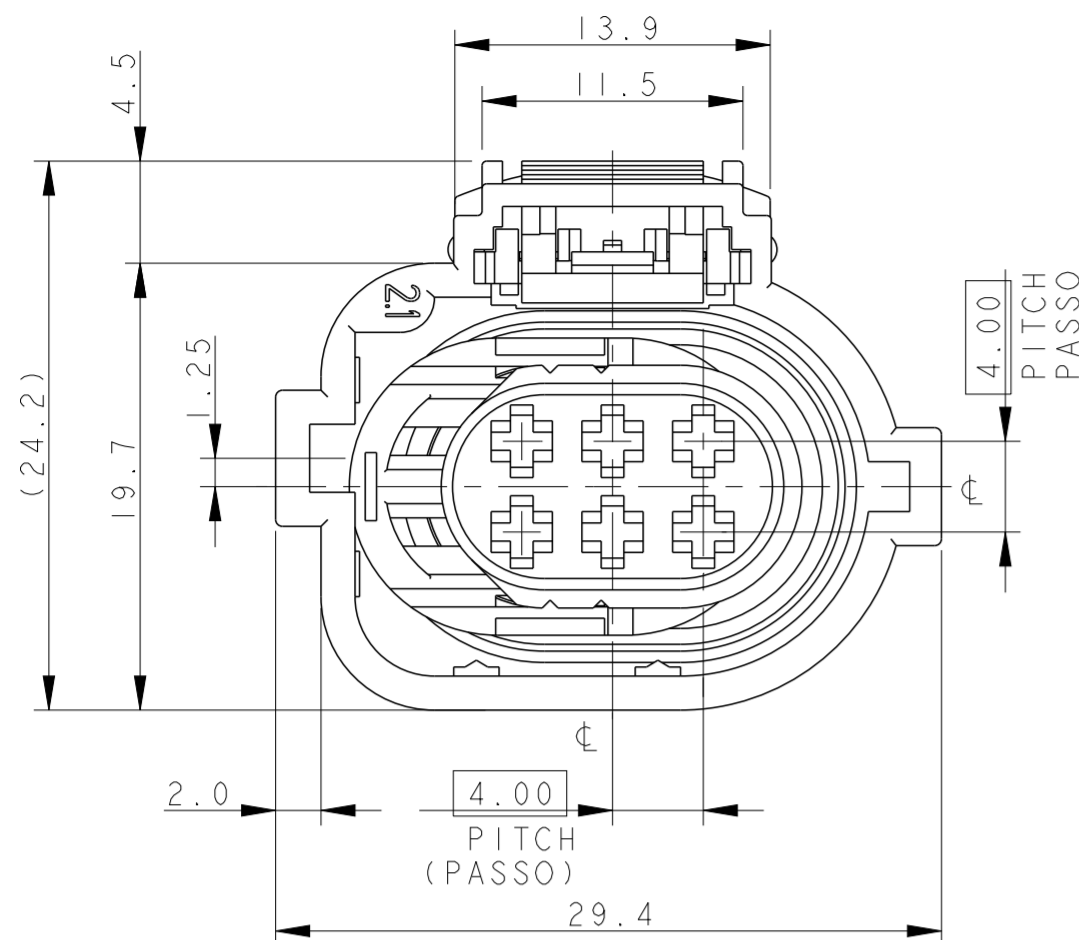
THIS DRAWING IS UNPUBLISHED.
QUESTO DISEGNO NON DEVE ESSERE DIVULGATO O RIPRODOTTO

RELEASED FOR PUBLICATION
E' CONSENTITA LA DIVULGAZIONE

2000

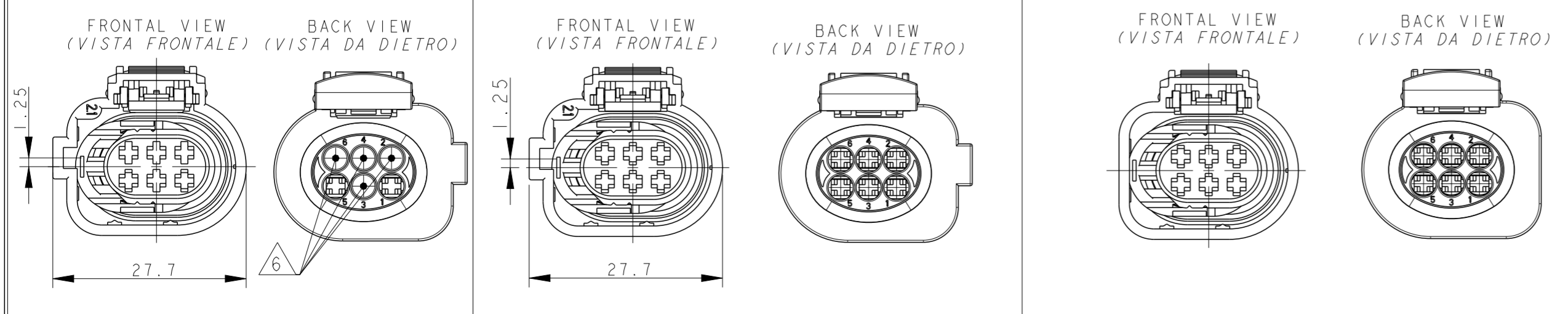
ALL RIGHTS RESERVED.
TUTTI I DIRITTI SONO RISERVATI

LOC		DIST		REVISIONS			
P	LTR	REV	DESCRIPTION	DATE	DWN	APVD	APP.
DESCRIZIONE				DATA	DIS.		
	D4		ADDED -7 VERSION (ECO-17-014569)	05OCT2017	M.G.	M.G.	
	D5		REVISED PER ECO-18-005949	18DEC2017	AP	MG	



- 1) FEMALE CONNECTOR SUPPLIED WITH SECONDARY LOCK AND C.P.A. PRE-ASSEMBLED (CONNETTORE PORTAFEMMINE FORNITO CON SECONDARY LOCK E C.P.A. PRE-MONTATI)
- 2) CAVITIES SUITABLE FOR MICRO TIMER II STD. P/N 962876 WIRE RANGE: 0.50+1.0 mm² AND TYPE A CONTACTS ACC. TO PRODUCT GROUP DRAWING 1355045 (WIRE RANGE: 0.50+1.0 mm²) SINGLE WIRE SEAL P/N 964971-1 (0.50 mm²), P/N 963530-1 (0.75 mm²) AND P/N 964972-1 (1.0 mm²). CAVITY PLUG P/N 963531-1. (CAVITA' ADATTE PER CONTATTI MICRO TIMER II STD. P/N 962876 SEZ. FILO: 0.50+1.0 mm² E TIPO A IN ACCORDO AL DISEGNO DI GRUPPO 1355045 (SEZ. FILO: 0.50+1.0 mm²) GOMMINO P/N 964971-1 (0.50 mm²), P/N 963530-1 (0.75 mm²) E P/N 964972-1 (1.0 mm²). TAPPO CAVITA' P/N 963531-1).
- 3) FOR COUNTERPART INTERFACE DRAWING SEE SHEET 2 OF 2 (PER IL DISEGNO DELLA CONTROPARTE DI INTERFACCIA, VEDI FOGLIO 2 DI 2)
- 4) MATERIAL AND COLOUR FOR 284716-2: PA4.6 GF30, BLACK MATERIAL AND COLOUR FOR 1-284716-2: PBT GF30, BLACK MATERIAL AND COLORS OTHER DASHES: SEE TABLE (MATERIALE E COLORI ALTRE BARRER: VEDERE TABELLA)
- 5) TYCO ELECTRONICS TRADEMARK (OR, IN ALTERNATIVE, *tyco*)

P/N 284716-1 REV. D 4 HOUSING COLOUR: GREY; MATERIAL: PA 4.6 GF 30 6 PLUGGED CAVITIES (Nr. 2-3-4-6) (CAVITA' TAPPATE Nr. 2-3-4-6) P/N 1-284716-1 REV. D 4 HOUSING COLOUR: GREY; MATERIAL: PBT GF 30 6 PLUGGED CAVITIES (Nr. 2-3-4-6) (CAVITA' TAPPATE Nr. 2-3-4-6)	P/N 284716-3 REV. D 4 HOUSING COLOUR: BROWN; MATERIAL: PA 4.6 GF 30 P/N 284716-5 REV. D 4 HOUSING COLOUR: GREY; MATERIAL: PA 4.6 GF 30 P/N 284716-7 REV. D 4 HOUSING COLOUR: BLACK; MATERIAL: PA 4.6 GF 30	P/N 1-284716-3 4 HOUSING COLOUR: BROWN; MATERIAL: PBT GF 30 P/N 1-284716-5 REV. D 4 HOUSING COLOUR: GREY; MATERIAL: PBT GF 30 P/N 1-284716-7 REV. D 4 HOUSING COLOUR: BLACK; MATERIAL: PBT GF 30	P/N 284716-4 REV. D 4 HOUSING COLOUR: BLACK; MATERIAL: PA 4.6 GF 30 P/N 284716-6 REV. D 4 HOUSING COLOUR: BLACK; MATERIAL: PA66 G.F 30. 3 TE CONNECTIVITY COUNTERPART: P/N 1565597-1	P/N 1-284716-4 REV. D 4 HOUSING COLOUR: BLACK; MATERIAL: PBT GF 30
---	--	--	--	--



P/N 284716-2 / 1-284716-2 REV. D AS SHOWN

ITEM	DESCRIPTION (DESCRIZIONE)	MATERIAL (MATERIALE)	COLOUR (COLORE)	Q.TY (Q.TA')
1	HOUSING (BLOCCHETTO)	4	4	1
2	SECONDARY LOCK (AGGANCIO SECONDARIO)	PA66 G.F 30	RED (ROSSO)	1
3	PERIPHERAL SEAL (GUARNIZIONE)	LSR (GOMMA SILICONICA)	RED (ROSSO)	1
4	C.P.A.	PA66 G.F 13	YELLOW (GIALLO)	1

THIS DRAWING IS A CONTROLLED DOCUMENT. QUESTO DISEGNO E' UN DOCUMENTO DI PROPRIETA' E RESPONSABILITA' DELL'AMP INCORPORATED, E' SOGGETTO A VARIAZIONI. PER OTTENERE L'ULTIMA REVISIONE DEL DISEGNO CONTATTARE L'UFFICIO TECNICO RESPONSABILE.

DWN/DIS: M. SARDI 24NOV2000
CHK/CONT: O. CANUIO 24NOV2000

DIMENSIONS: DIMENSIONI: (MM)

TOLERANCES UNLESS OTHERWISE SPECIFIED: TOLLERANZE: SE NON DIVERSAMENTE SPECIFICATO
 0 PLC/DEC: ±0.5
 1 PLC/DEC: ±0.3
 2 PLC/DEC: ±0.1
 3 PLC/DEC: ±0.1
 4 PLC/DEC: ±0.1
 ANGLES/ANGOLI: ±1°

FINISH FINITURA

SEE TABLE SEE TABLE

PRODUCT SPEC SPEC DI PRODOTTO: 108-20230
APPLICATION SPEC SPEC DI APPLICAZIONE: 411-20068

WEIGHT PESO: -

CUSTOMER DRAWING DISEGNO PER CLIENTE SOLO PER RIFERIMENTO

SCALE SCALA: 3:1

SHEET FOGLIO: 1 OF DI: 2

REV: D5

NAME NOME: M. SARDI

SIZE: A2

CAGE CODE: 0779

DRAWING NO. NUMERO: C-284716

RESTRICTED TO: -

STE TE Connectivity

6 POS. MTII RECEPTACLE CONNECTOR ASSEMBLY (CONNETTORE 6 VIE PER CONTATTI MT-II)

THIS DRAWING IS UNPUBLISHED.
 QUESTO DISEGNO NON DEVE ESSERE DIVULGATO O RIPRODOTTO

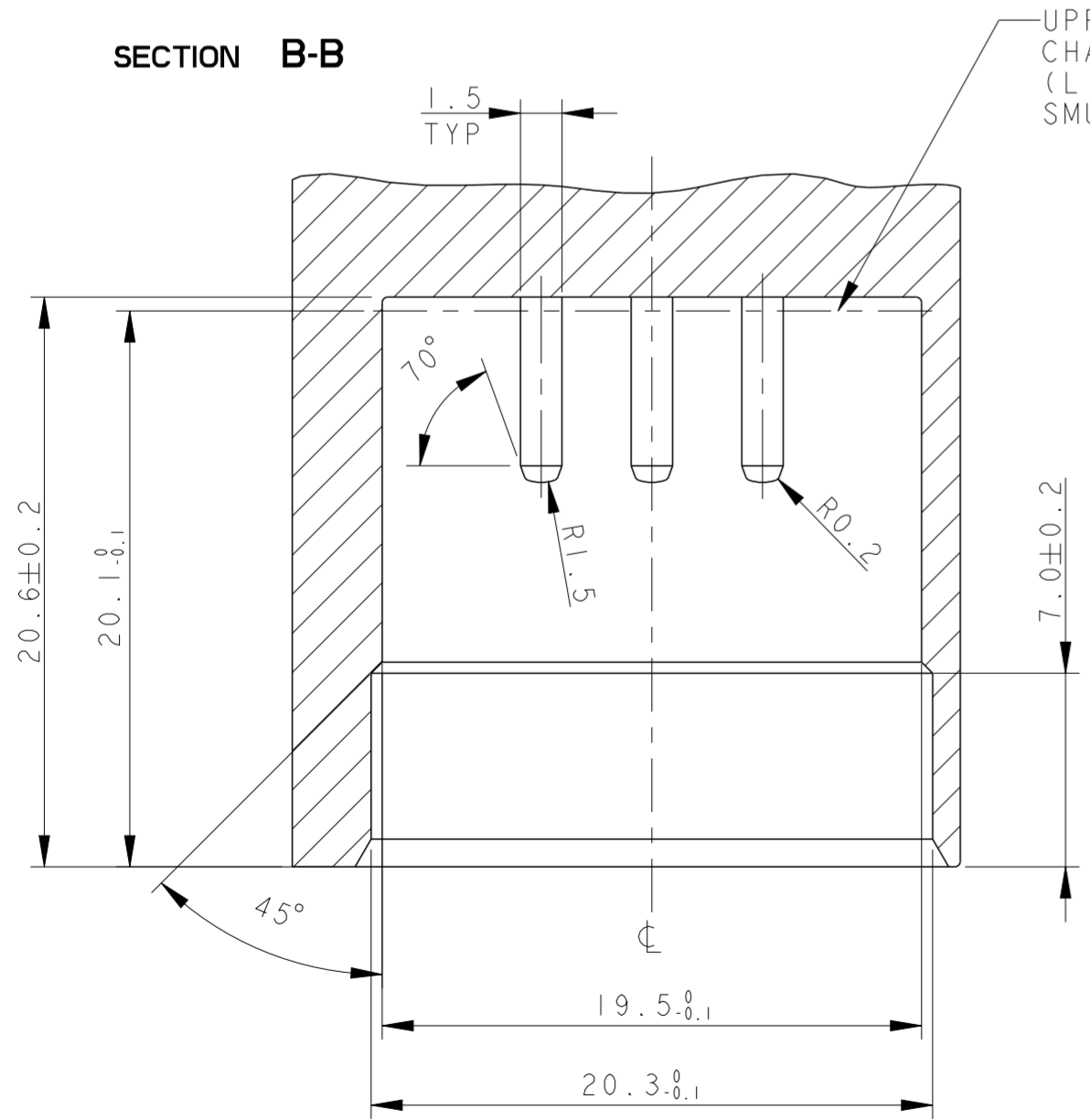
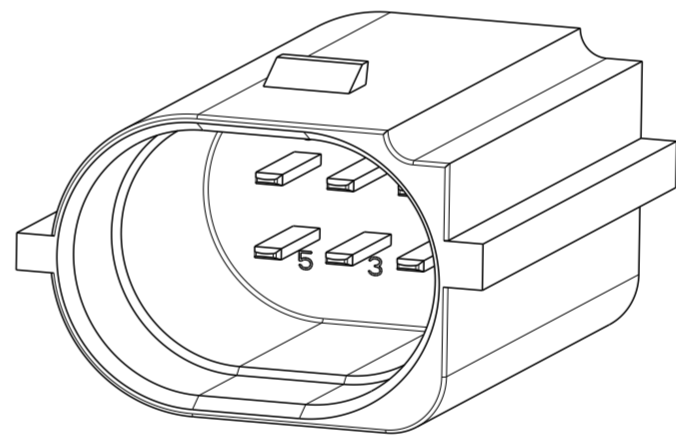
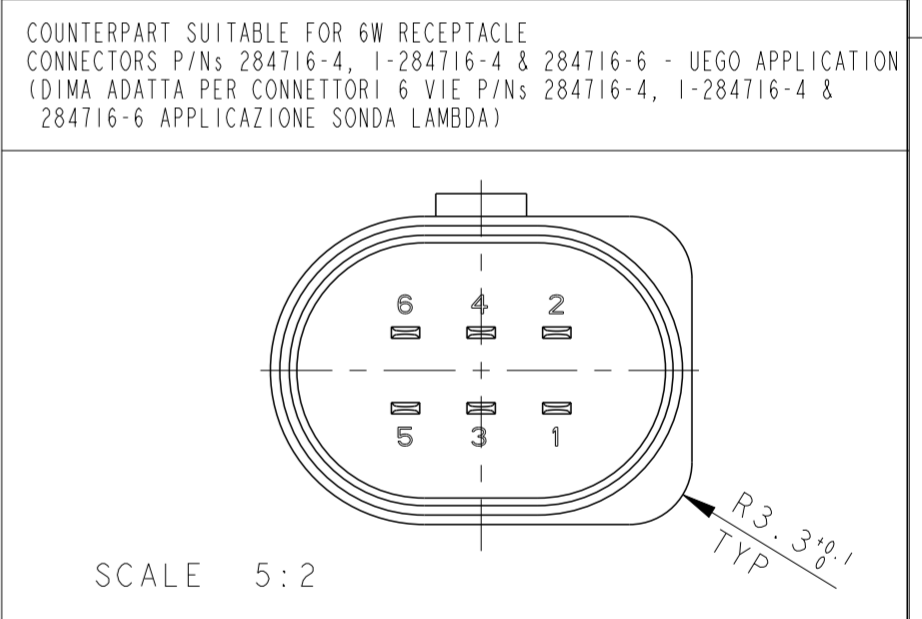
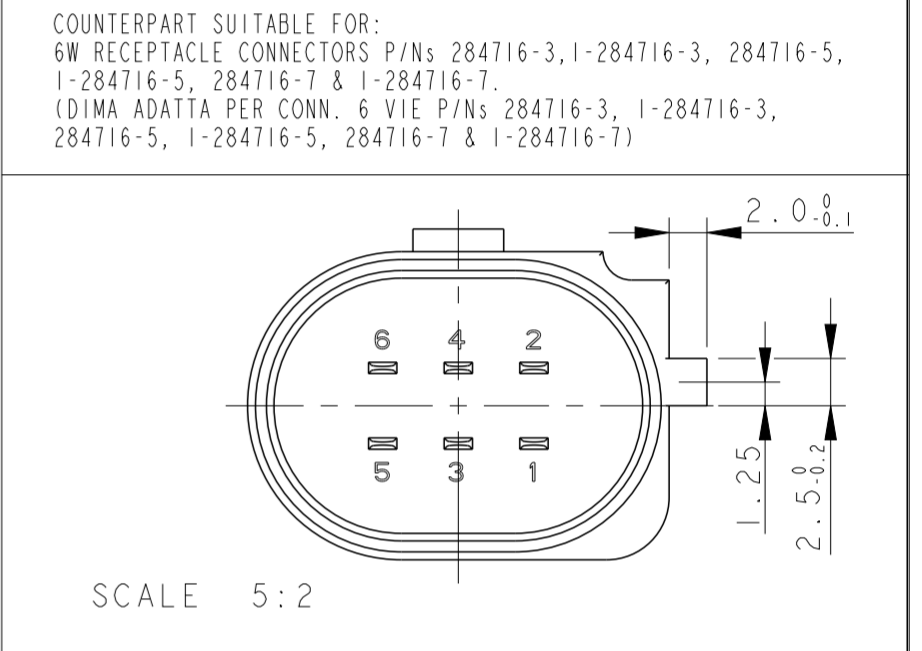
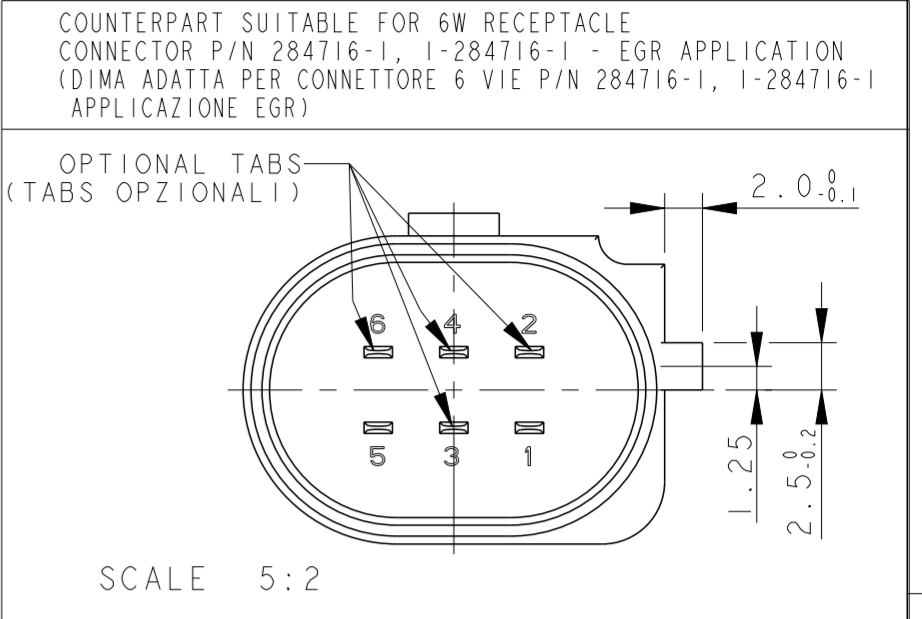
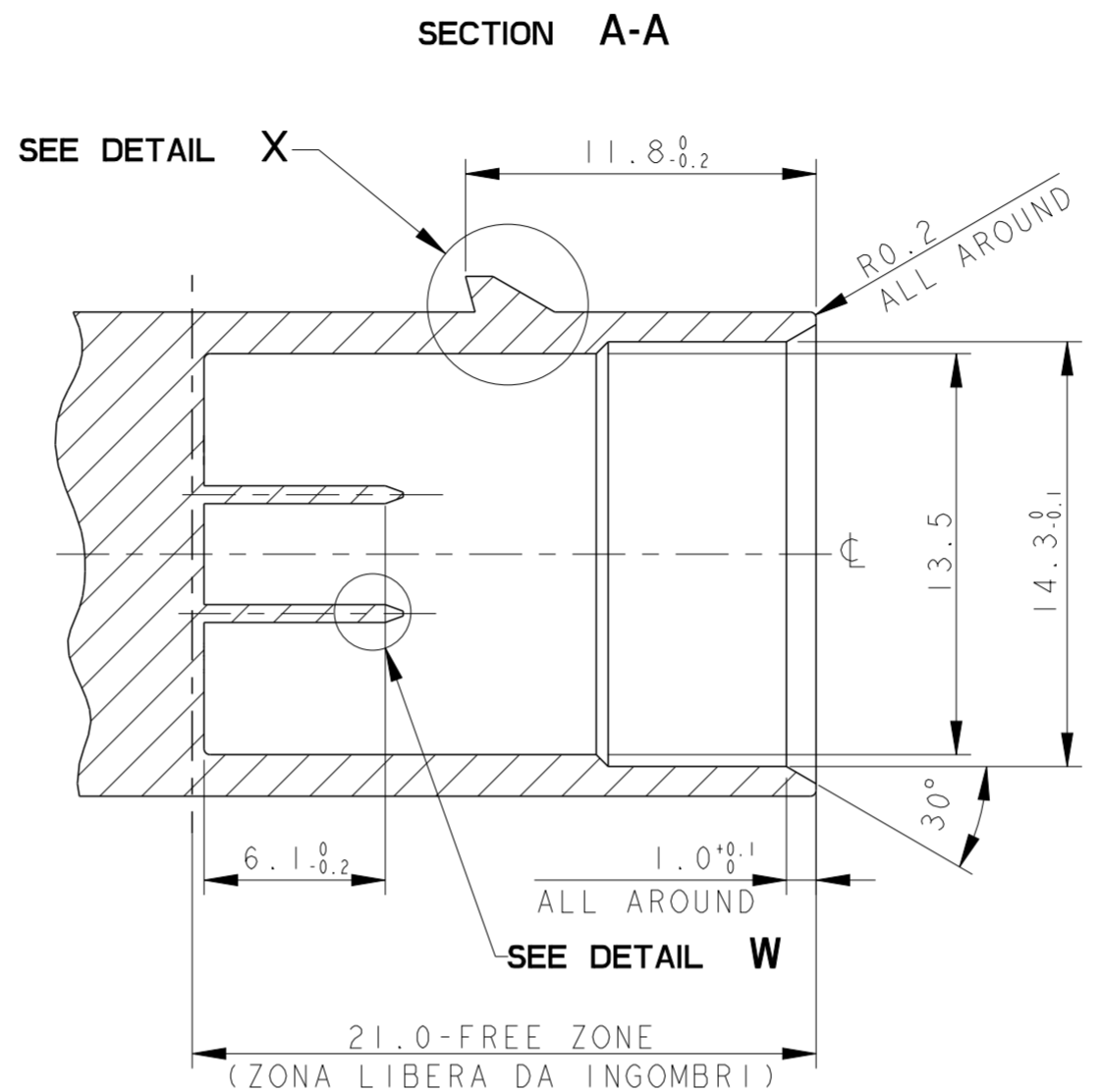
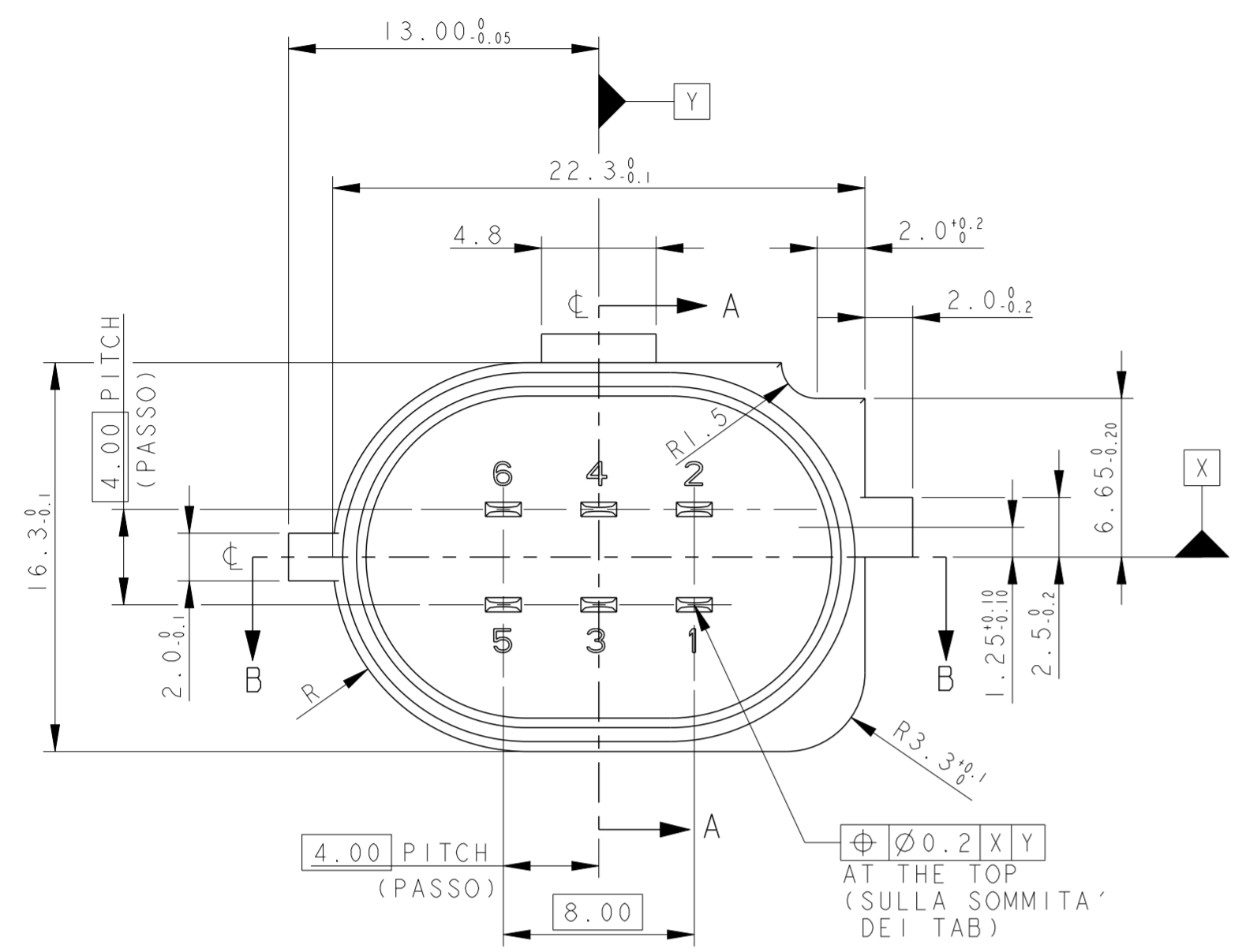
RELEASED FOR PUBLICATION
 E' CONSENTITA LA DIVULGAZIONE

2000

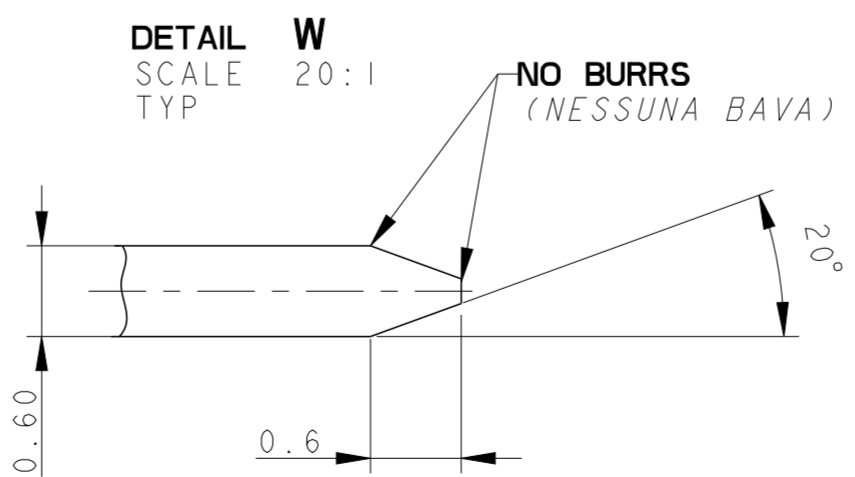
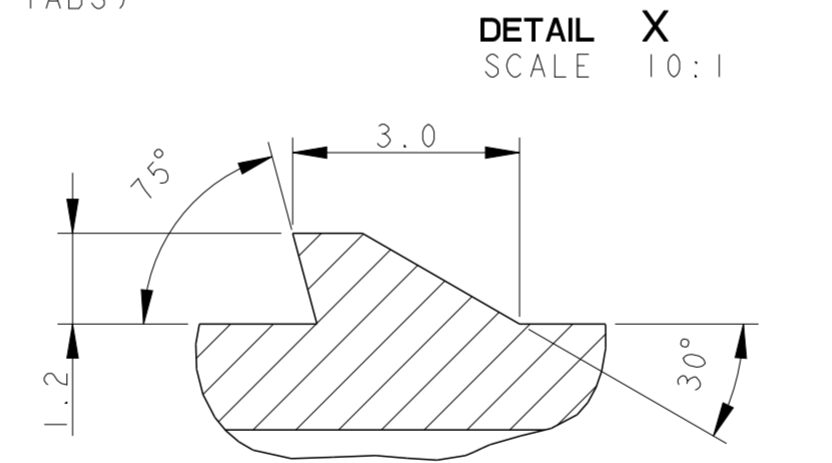
ALL RIGHTS RESERVED.
 TUTTI I DIRITTI SONO RISERVATI

© COPYRIGHT 2000

LOC	DIST	REVISIONS			DATE	DWN	APVD
A1	-	P	LTR	DESCRIPTION	DATA	DIS.	APP.
			REV	DESCRIZIONE			
SEE SHEET 1							



UPPER LIMIT FOR PLASTIC CHAMFERS AROUND THE TABS BASE (LIMITE SUPERIORE PER EVENTUALI SMUSSI ALLA BASE DEI TABS)



1) COUNTERPART SUITABLE FOR 6W RECEPTACLE HOUSING FOR MT2 CNT FOR THROTTLE VALVE P/N 284716-2, 1-284716-2 AS SHOWN (DISEGNO DIMA ADATTA PER CONNETTORE 6W PER CONTATTI MT2 PER VALVOLA FARFALLATA P/N 284716-2, 1-284716-2)

2) MATERIALS (MATERIALI):
 BODY: PLASTIC MATERIAL SUITABLE FOR 140°C TEMPERATURE (CORPO: MATERIALE PLASTICO ADATTO AD UNA TEMPERATURA DI 140°C)
 TABS: BRONZE (CuSn6) WITH 0.8µm MIN. GOLD OVER 2µm MIN. NICKEL (LINGUETTE: BRONZO CON 0.8µm MIN. DI ORO SU 2µm MIN. DI NICKEL)

THIS DRAWING IS A CONTROLLED DOCUMENT. QUESTO DISEGNO È UN DOCUMENTO DI PROPRIETÀ E RESPONSABILITÀ DELL'AMP INCORPORATED, E' SOGGETTO A VARIAZIONI. PER OTTENERE L'ULTIMA REVISIONE DEL DISEGNO CONTATTARE L'UFFICIO TECNICO RESPONSABILE.		DWN/DIS: 24NOV2000 M. SARDI	TE Connectivity	
DIMENSIONS: DIMENSIONI: (MM)		CHK/CONT: 24NOV2000 O. CANUTO	NAME: 6 POS. MT11 RECEPTACLE CONNECTOR ASSEMBLY (CONNETTORE 6 VIE PER CONTATTI MT-11)	
TOLERANCES UNLESS OTHERWISE SPECIFIED: TOLLERANZE: SE NON DIVERSAMENTE SPECIFICATO		APVD/APP.:	PRODUCT SPEC SPEC DI PRODOTTO: 108-20230	SIZE: A2
0 PLC/DEC: ±0.5 1 PLC/DEC: ±0.3 2 PLC/DEC: ±0.1 3 PLC/DEC: ± 4 PLC/DEC: ± ANGLES/ANGOLI ±1°		APPLICATION SPEC SPEC DI APPLICAZIONE: 411-20068	CAGE CODE: A20779	DRAWING NO: C-284716
MATERIAL: 2	FINISH: 2	WEIGHT: -	RESTRICTED TO: -	
CUSTOMER DRAWING		DESIGN FOR CLIENT SOLO PER RIFERIMENTO	SCALE: 3:1	SHEET: 2 OF 2

X-ON Electronics

Largest Supplier of Electrical and Electronic Components

Click to view similar products for [Automotive Connectors](#) category:

Click to view products by [TE Connectivity](#) manufacturer:

Other Similar products are found below :

[003-018-000](#) [60403001](#) [60993906-B](#) [M902-2131](#) [M902-2161](#) [72.330.1035.1](#) [73.353.4028.0](#) [F119300-B](#) [F166900](#) [F258300-B](#) [F358300-B](#)
[F407400](#) [F444110](#) [F487000](#) [F509500B-B](#) [827153-1](#) [8N1515-32-24P](#) [9-1326729-8](#) [925474-1](#) [928905-1](#) [964562-4](#) [968782-1](#) [GT17SA-8DS-](#)
[HU](#) [98891-1012](#) [98947-1016](#) [12004147](#) [12004475-L](#) [12010290](#) [12010309-B](#) [12015454](#) [12020219-B](#) [12020308](#) [12041318-B](#) [12052225-L](#)
[12052466](#) [12059125](#) [12064869](#) [12004327-B](#) [12010503-B](#) [12015308](#) [12015384](#) [12015909](#) [1-21030-1](#) [12041254](#) [12041318](#) [12047946-B](#)
[12047957](#) [12047957-L](#) [12059473](#) [12066261](#)