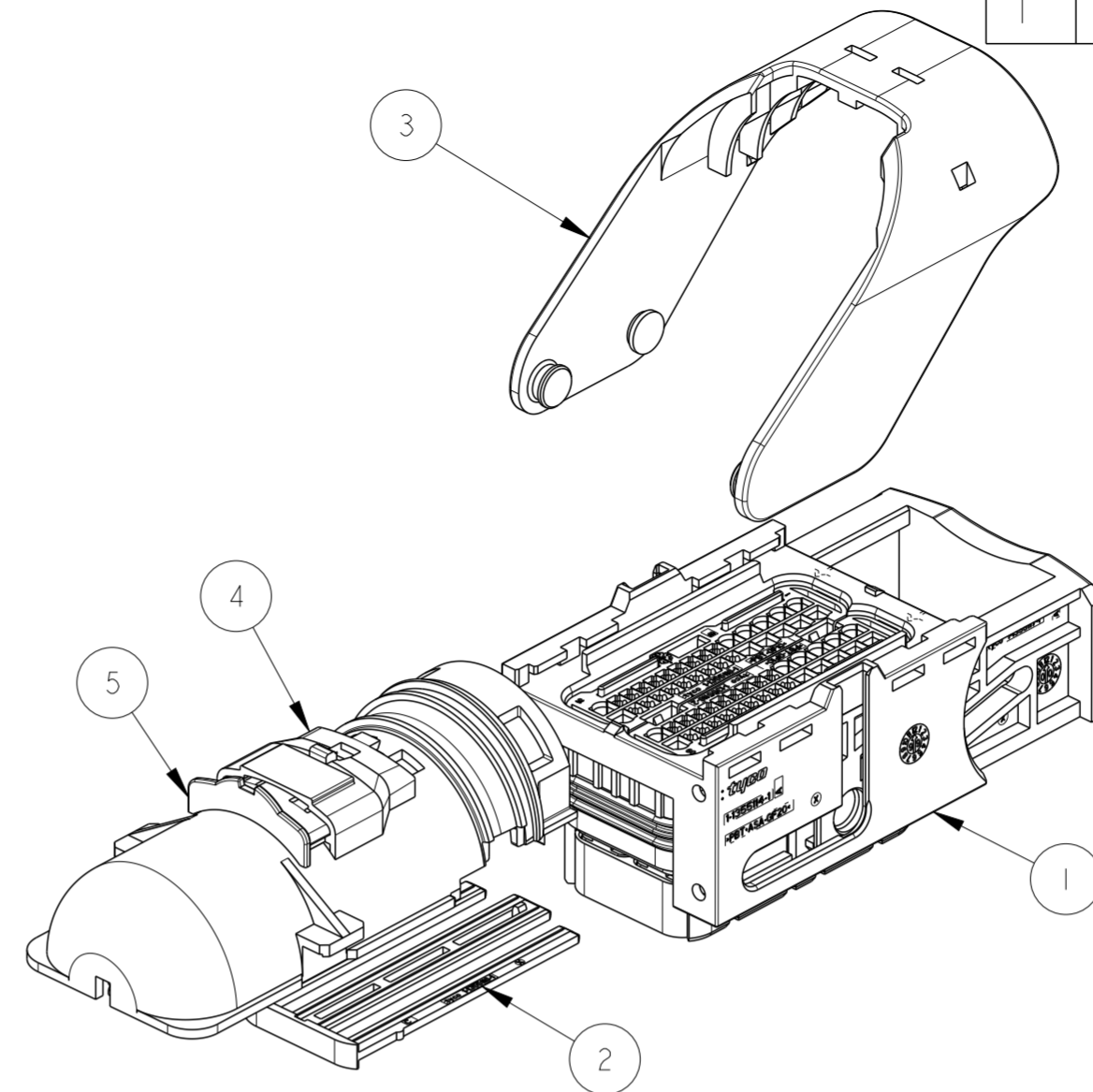
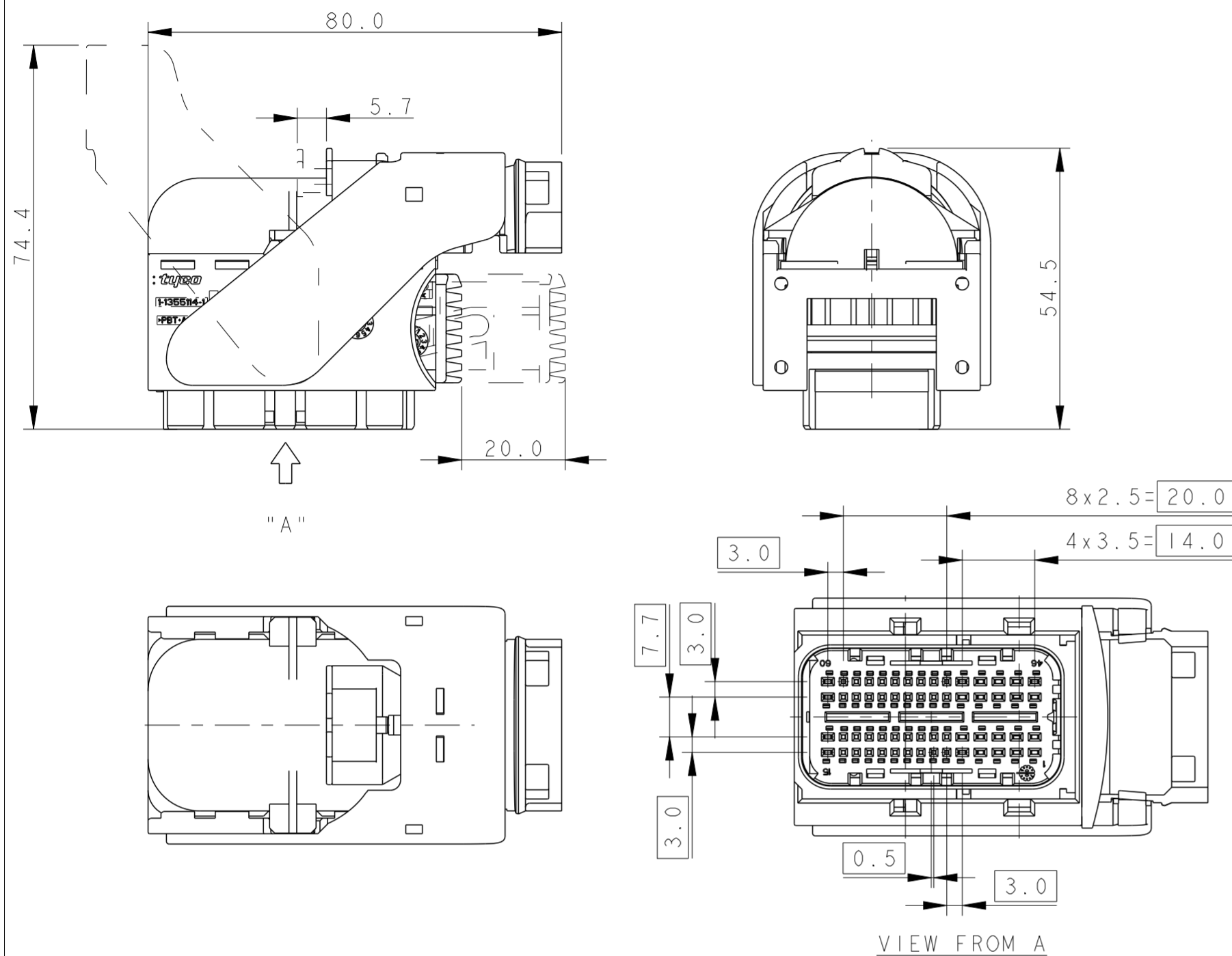


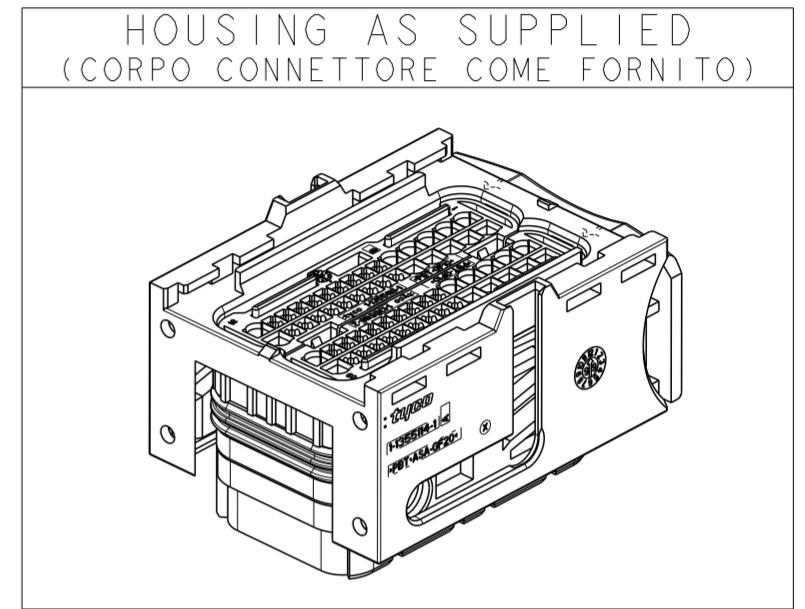
THIS DRAWING IS UNPUBLISHED.  
QUESTO DISEGNO NON DEVE ESSERE DIVULGATO O RIPRODOTTO  
© COPYRIGHT 2002 BY -  
RELEASED FOR PUBLICATION  
E' CONSENTITA LA DIVULGAZIONE  
2002  
ALL RIGHTS RESERVED.  
TUTTI I DIRITTI SONO RISERVATI

LOC	DIST	REVISIONS					
		P	LTR REV	DESCRIPTION DESCRIZIONE	DATE DATA	DWN DIS.	APVD APP.
			E2	REVISED PER ECO-11-005033	24MAR2011	RK	HMR
			E3	ECR-12-016488		M.P.	M.G.

CONNECTOR OVERALL DIMENSIONS WITH COVER KIT AND LEVER ASSEMBLED  
(DIMENSIONI DI INGOMBRO CONNETTORE CON KIT COPERCHIO E LEVA MONTATI)



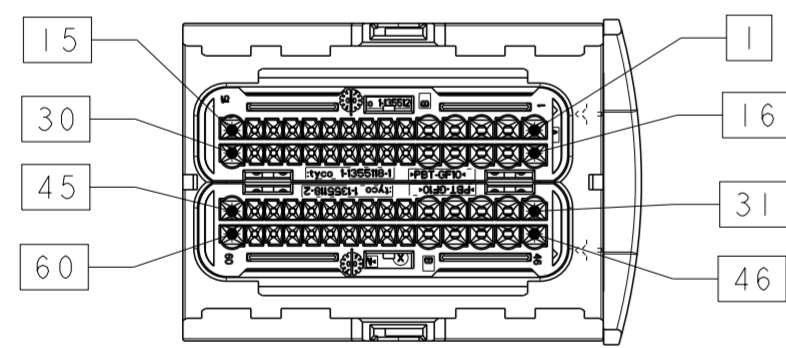
P/N 284742-1 AS SHOWN  
FIAT VERSION



**NOTE:**

- CONNECTOR IS SUITABLE TO BE MATED WITH COUNTERPART P/N 284617-1  
(IL CONNETTORE SI ACCOPPIA CON LA CONTROPARTE P/N 284617-1)
- CONNECTOR CAVITIES ARE SUITABLE FOR CONTACTS:  
(LE CAVITA' DEL CONNETTORE SONO ADATTE PER CONTATTI:.)
  - 0.64 MQS Clean Body contact WSR 0.35+0.50 mm<sup>2</sup> P/N 1703296-1 (FIAT restricted version)  
(Minimum isolation diameter: 1.2 mm; Maximum isolation diameter: 1.6 mm)
  - 0.64 MQS Clean Body contact WSR 0.35 mm<sup>2</sup> P/N 968220-1  
(Minimum isolation diameter: 1.2 mm; Maximum isolation diameter: 1.3 mm)
  - 0.64 MQS Clean Body contact WSR 0.75 mm<sup>2</sup> P/N 1703298-1 (FIAT restricted version)  
(Minimum isolation diameter: 1.7 mm; Maximum isolation diameter: 1.9 mm)
  - 0.64 MQS Clean Body contact WSR 0.50+0.75 mm<sup>2</sup> P/N 968221-1  
(Minimum isolation diameter: 1.4 mm; Maximum isolation diameter: 1.9 mm)
  - 1.5 mm Clean Body contact WSR 0.50 mm<sup>2</sup> P/N 1452158-1  
(Minimum isolation diameter: 1.4 mm; Maximum isolation diameter: 1.6 mm)
  - 1.5 mm Clean Body contact WSR 0.75+1.50 mm<sup>2</sup> P/N 1241608-1  
(Minimum isolation diameter: 1.7 mm; Maximum isolation diameter: 2.4 mm)
- TO CLOSE UNUSED CAVITIES:  
(PER CHIUDERE LE CAVITA' NON UTILIZZATE)
  - P/N 284583-1 for MQS Clean Body contacts
  - P/N 1394872-1 for 1.5 mm Clean Body contact
- ITEMS 2 AND 3 ARE SUPPLIED NOT ASSEMBLED IN THE SAME PACKAGE.  
(I PARTICOLARI 2 E 3 SONO FORNITI NON ASSEMBLATI NELLA STESSA CONFEZIONE.)
- ITEMS 4 AND 5 ARE SUPPLIED PRE-ASSEMBLED, IN THE SAME PACKAGE.  
(I PARTICOLARI 4 E 5 SONO FORNITI PRE-ASSEMBLATI NELLA STESSA CONFEZIONE)
- ITEMS 4 IS SUPPLIED NOT ASSEMBLED IN THE SAME PACKAGE  
ITEM 5 IS NOT SUPPLIED  
(L'ITEM 4 E' FORNITO NON ASSEMBLATO NELLA STESSA CONFEZIONE, L'ITEM 5 NON E' FORNITO.)

CONTACT INSERT SIDE VIEW  
(VISTA LATO INSERIMENTO CONTATTI)



CABLE EXIT  
USCITA CAVI

CAVITIES POSITIONS  
(POSIZIONE IN CAVITA')

CONTACT P/N (P/N CONTATTO)	POSITION (POSIZIONE)
968220-1 & 968221-1	6 to 14; 21 to 29; 36 to 44; 51 to 59
1452158-1 & 1241608-1	1 to 5; 15 to 20; 30 to 35; 45 to 50; 60

QTY.	QTY.	RAW MATERIALS Materiali	COLOURS Colori	REV	DESCRIPTION Descrizione	ITEM Pos.
-	1	PA6.6 GF30	YELLOW	/	C.P.A. Disp. controllo aggancio leva	5
1	1	PA6.6 GF13	BLACK	/	COVER / Coperchio	4
1	1	PA6.6 GF30	BLACK	/	LEVER / leva	3
1	1	PA6.6 GF30	VIOLET	/	SECONDARY LOCK 60 POSN. Disp. Ritenz. secondaria, 60 pos.	2
1	1	PA6.6 GF25/PBT+ASA-GF20 PA6.6 GF13 + GF33 SILICON	BLACK/LIGHT BROWN:HOUSING YELLOW:PERIPHERAL SEAL RED-BROWN:FAMILY SEAL	/	CARRIER HSG. / Corpo connettore	1
284742-2 (NOTE 6)	284742-1 (NOTE 5)	PART-NO. Codice				
E	E	REV				

THIS DRAWING IS A CONTROLLED DOCUMENT.		DWN/DIS. 03OCT01 D. BISETTI	TE Connectivity	
DIMENSIONS: DIMENSIONI (MM)		CHK/CONT 03OCT01 O. CANUTO		
TOLERANCES UNLESS OTHERWISE SPECIFIED: TOLLERANZE: SE NON DIVERSAMENTE SPECIFICATO		APVD/APP 03OCT01 A. GENIA	NAME CONNECTOR HOUSING, 60 POS.	
0 PLC/DEC: ±0.3 1 PLC/DEC: ±0.3 2 PLC/DEC: ±0.3 3 PLC/DEC: ±0.3 4 PLC/DEC: ±0.3		PRODUCT SPEC SPEC DI PRODOTTO 108-20235	MSQ, 1.5mm Clean Body Contacts + COVER AND C.P.A. KIT	
MATERIAL FINISH FINITURA		APPLICATION SPEC SPEC DI APPLICAZIONE I.S. 411-20067	SIZE A2	RESTRICTED TO
		WEIGHT PESO -	CAGE CODE 0779	
		CUSTOMER DRAWING	DISEGNO PER CLIENTE SOLO PER RIFERIMENTO	REV E3

## X-ON Electronics

Largest Supplier of Electrical and Electronic Components

*Click to view similar products for [Automotive Connectors](#) category:*

*Click to view products by [TE Connectivity](#) manufacturer:*

Other Similar products are found below :

[003-018-000](#) [60403001](#) [60993906-B](#) [M902-2131](#) [M902-2161](#) [72.330.1035.1](#) [73.353.4028.0](#) [F119300-B](#) [F166900](#) [F258300-B](#) [F358300-B](#)  
[F407400](#) [F444110](#) [F487000](#) [F509500B-B](#) [827153-1](#) [8N1515-32-24P](#) [9-1326729-8](#) [925474-1](#) [928905-1](#) [964562-4](#) [968782-1](#) [GT17SA-8DS-](#)  
[HU](#) [98891-1012](#) [98947-1016](#) [12004147](#) [12004475-L](#) [12010290](#) [12010309-B](#) [12015454](#) [12020219-B](#) [12020308](#) [12041318-B](#) [12052225-L](#)  
[12052466](#) [12059125](#) [12064869](#) [12004327-B](#) [12010503-B](#) [12015308](#) [12015384](#) [12015909](#) [1-21030-1](#) [12041254](#) [12041318](#) [12047946-B](#)  
[12047957](#) [12047957-L](#) [12059473](#) [12066261](#)