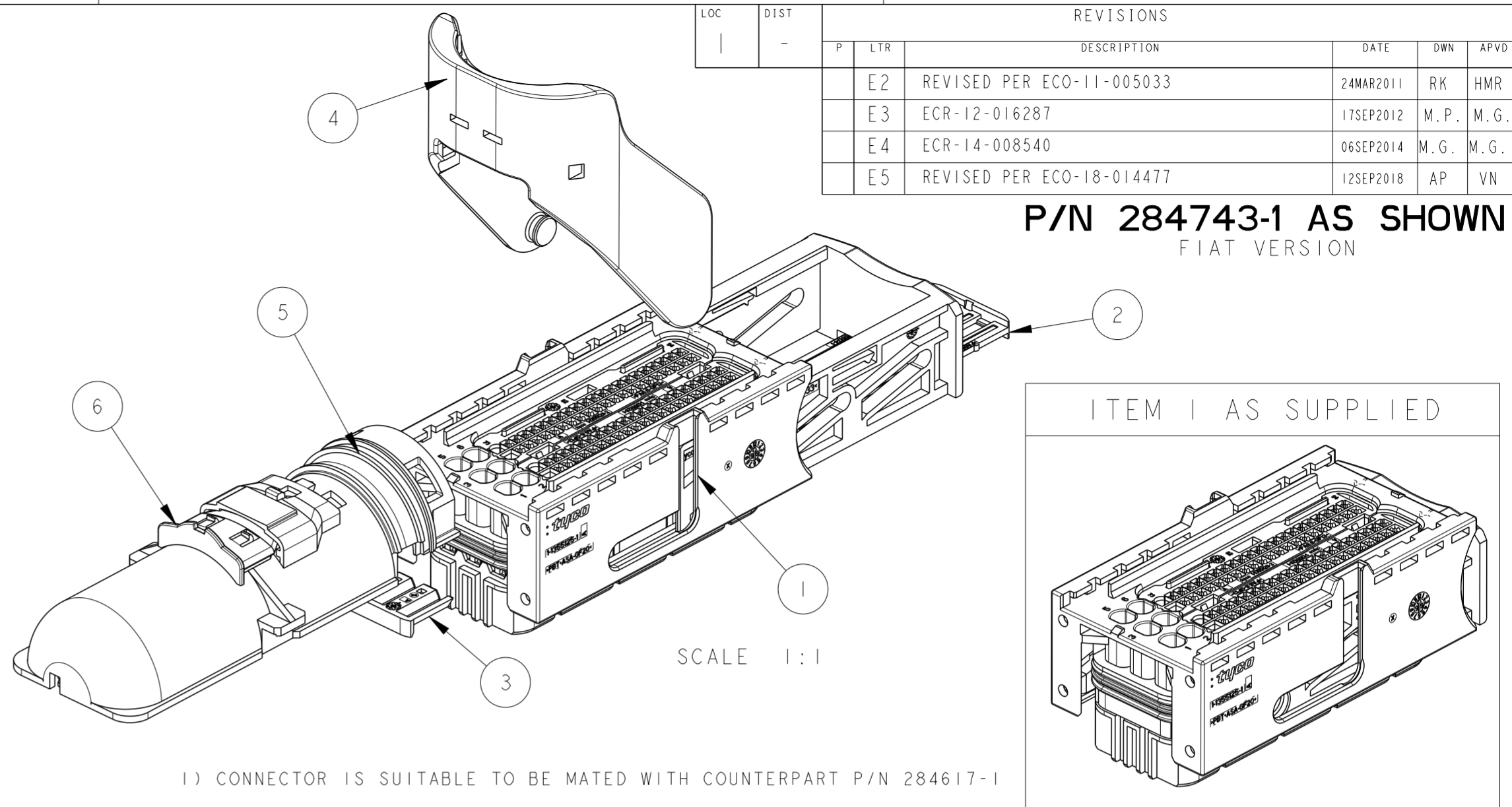
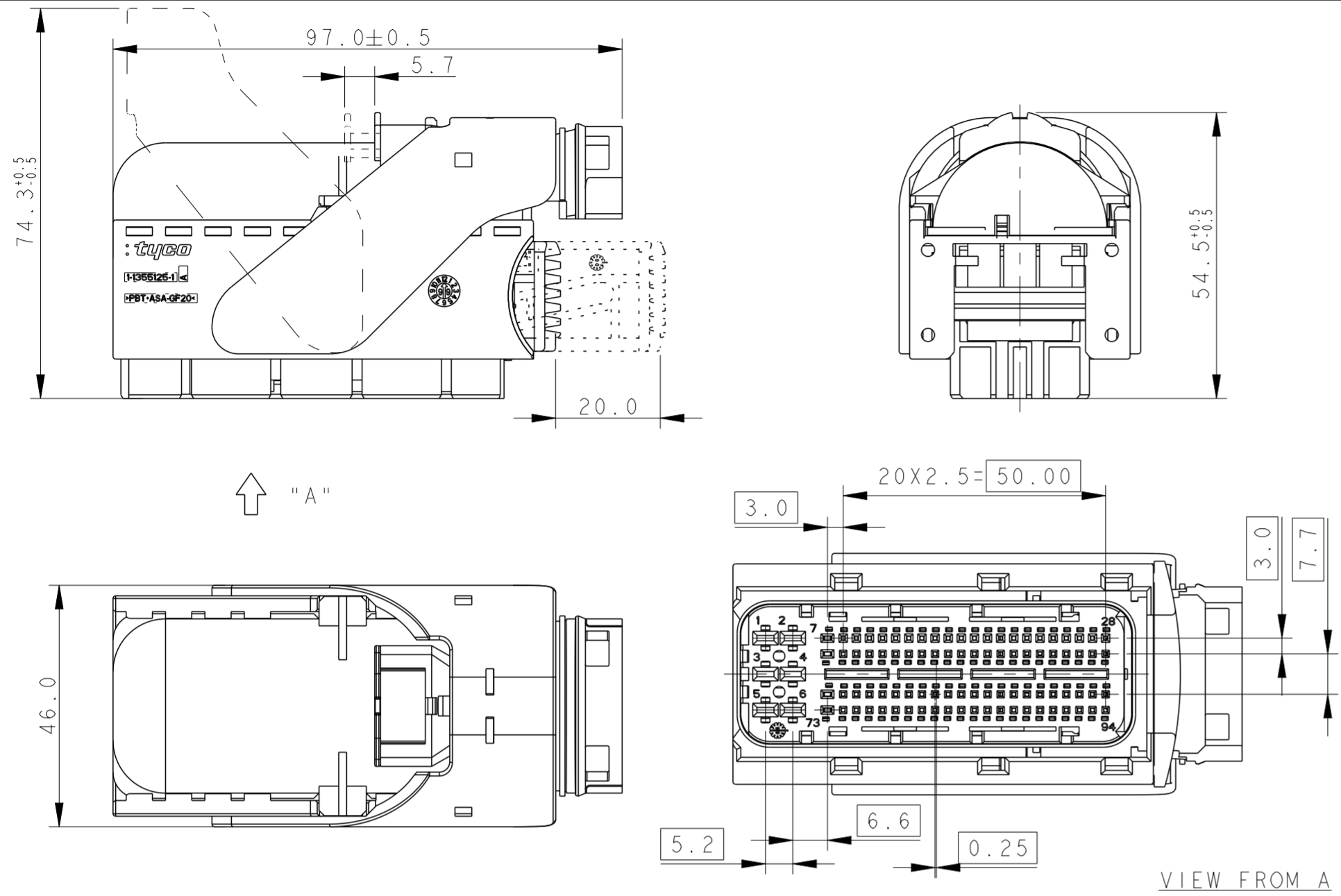


THIS DRAWING IS UNPUBLISHED. RELEASED FOR PUBLICATION 2002
 © COPYRIGHT 2002 BY - ALL RIGHTS RESERVED.

CONNECTOR OVERALL DIMENSIONS WITH COVER KIT AND LEVER ASSEMBLED



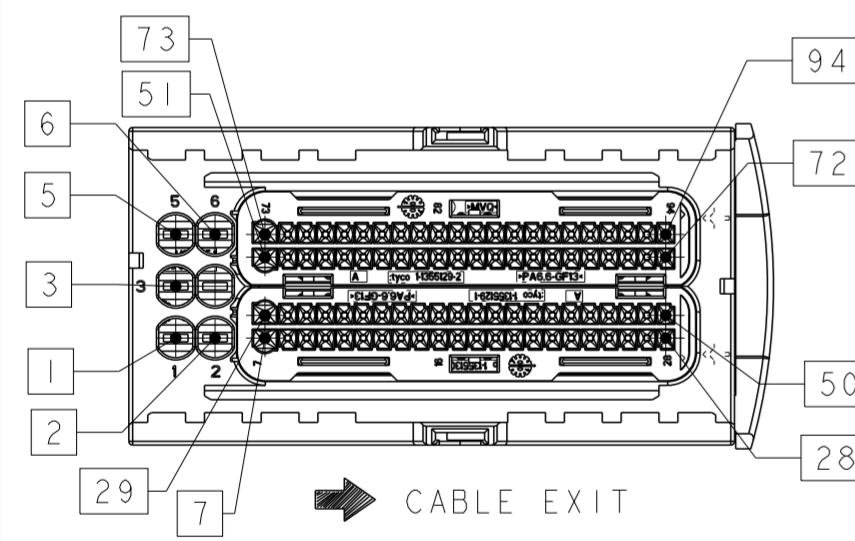
REVISONS		DATE	DWN	APVD
P	LTR	DESCRIPTION		
E2		REVISED PER ECO-11-005033	24MAR2011	RK HMR
E3		ECR-12-016287	17SEP2012	M.P. M.G.
E4		ECR-14-008540	06SEP2014	M.G. M.G.
E5		REVISED PER ECO-18-014477	12SEP2018	AP VN

P/N 284743-1 AS SHOWN
 FIAT VERSION

- 1) CONNECTOR IS SUITABLE TO BE MATED WITH COUNTERPART P/N 284617-1
- 2) CONNECTOR CAVITIES ARE SUITABLE FOR CONTACTS:
- 0.64 MQS Clean Body contact WSR 0.35±0.50 mm² P/N 1703296-1 (FIAT restricted version) (Minimum insulation diameter: 1.2 mm; Maximum isolation diameter: 1.6 mm)
 - 0.64 MQS Clean Body contact WSR 0.35 mm² P/N 968220-1 (Minimum insulation diameter 1.2 mm; Maximum isolation diameter: 1.3 mm)
 - 0.64 MQS Clean Body contact WSR 0.75 mm² P/N 1703298-1 (FIAT restricted version) (Minimum insulation diameter 1.7 mm; Maximum isolation diameter: 1.9 mm)
 - 0.64 MQS Clean Body contact WSR 0.50±0.75 mm² P/N 968221-1 (Minimum insulation diameter 1.4 mm; Maximum isolation diameter: 1.9 mm)
 - 1.5 MQS Clean Body contact WSR 0.50 mm² P/N 1452158-1 (Minimum insulation diameter 1.4 mm; Maximum isolation diameter: 1.6 mm)
 - 1.5 MQS Clean Body contact WSR 0.75±1.50 mm² P/N 1241608-1 (Minimum insulation diameter 1.7 mm; Maximum isolation diameter: 2.4 mm)
 - 2.8K MCP Contacts SWS, WSR 0.35 mm² P/N 1241392-1 (Minimum insulation diameter 1.2 mm; Maximum isolation diameter: 1.3 mm)
 - 2.8K MCP Contacts SWS, WSR 0.5±1.0 mm² P/N 1241394-1 (Minimum insulation diameter 1.4 mm; Maximum isolation diameter: 2.1 mm)
 - 2.8K MCP Contacts SWS, WSR > 1.0±2.5 mm² P/N 1241396-1 (Minimum insulation diameter 2.0 mm; Maximum isolation diameter: 3.0 mm)
- SINGLE WIRE SEAL FOR MCP 2.8K:
 P/N 963294-1 FOR WSR 0.35-1.0 mm²;
 P/N 963293-1 FOR WSR 1.5 mm²;
 P/N 963292-1 FOR WSR 2.5 mm².

VIEW FROM WIRE INSERTION SIDE

CAVITIES POSITION



CONTACT P/N	POSITION
968220-1 & 968221-1	8 to 28; 30 to 50; 52 to 72; 74 to 94
1452158-1 & 1241608-1	7, 29, 51, 73
1241394-1 & 1241396-1	1 to 6

QTY.	QTY.	MATERIALS	COLOURS	DESCRIPTION	ITEM
-	1	PA6.6 GF30	YELLOW	C.P.A.	6
1	1	PA6.6 GF13	BLACK	COVER	5
1	1	PA6.6 GF30	BLACK	LEVER	4
1	1	PA6.6 GF30	VIOLET	SECONDARY LOCK 6 POSN.	3
1	1	PA6.6 GF30	VIOLET	SECONDARY LOCK 88 POSN.	2
1	1	PA6.6 GF30/PBT+ASA-GF20 PA6.6 GF13 + GF33 SILICON	BLACK/LIGHT BROWN:HOUSING YELLOW:PERIPHERAL SEAL RED-BROWN:FAMILY SEAL	CARRIER HSG.	1
284743-2 (NOTE 6)	284743-1 (NOTE 5)	PART-NO.			
E	E	REV			

- 3) TO CLOSE UNUSED CAVITIES:
- P/N 284583-1 for MQS Clean Body contacts cavities
 - P/N 1394872-1 for 1.5 mm Clean Body contact cavities
 - P/N 828922-1 for 2.8K MCP contact cavities
- 4) ITEM 2, 3 AND 4 ARE SUPPLIED NOT ASSEMBLED IN THE SAME PACKAGE.
- 5) ITEMS 5 AND 6 ARE SUPPLIED PRE-ASSEMBLED, IN THE SAME PACKAGE.
- 6) ITEMS 5 IS SUPPLIED NOT ASSEMBLED IN THE SAME PACKAGE
 ITEM 6 IS NOT SUPPLIED

THIS DRAWING IS A CONTROLLED DOCUMENT. DWN: D. BISETTI 03OCT2001
 CHK: O. CANUTO 03OCT2001
 APVD: O. CANUTO

DIMENSIONS: mm
 TOLERANCES UNLESS OTHERWISE SPECIFIED:
 0 PLC ±0.3
 1 PLC ±0.3
 2 PLC ±0.3
 3 PLC ±
 4 PLC ±
 ANGLES ±30'

MATERIAL: SEE TABLE
 FINISH: SEE TABLE

PRODUCT SPEC: 108-20235
 APPLICATION SPEC: 411-20067
 WEIGHT: -

Customer Drawing

NAME: CONNECTOR HOUSING, 94 POS. MQS, 1.5 mm Clean body, MCP 2.8 + COVER AND C.P.A. KIT

SIZE: A2
 CAGE CODE: 0779
 DRAWING NO: C-284743
 RESTRICTED TO: -

SCALE: 2:1
 SHEET: 1 OF 1
 REV: E5

X-ON Electronics

Largest Supplier of Electrical and Electronic Components

Click to view similar products for [Automotive Connectors](#) category:

Click to view products by [TE Connectivity](#) manufacturer:

Other Similar products are found below :

[003-018-000](#) [60403001](#) [60993906-B](#) [M902-2131](#) [M902-2161](#) [M902-2344](#) [72.330.1035.1](#) [73.353.4028.0](#) [F119300-B](#) [F166900](#) [F258300-B](#)
[F358300-B](#) [F407400](#) [F444110](#) [F487000](#) [F509500B-B](#) [827153-1](#) [8N1515-32-24P](#) [9-1326729-8](#) [925474-1](#) [928905-1](#) [964562-4](#) [968782-1](#)
[GT17SA-8DS-HU](#) [98891-1012](#) [98947-1016](#) [12004147](#) [12004475-L](#) [12010290](#) [12010309-B](#) [12015454](#) [12020219-B](#) [12041318-B](#) [12052225-](#)
[L](#) [12052466](#) [12064869](#) [12004327-B](#) [12015308](#) [12015384](#) [12015909](#) [1-21030-1](#) [12041254](#) [12041318](#) [12047946-B](#) [12047957](#) [12047957-L](#)
[12059473](#) [12066261](#) [12110546](#) [12110546-B](#)