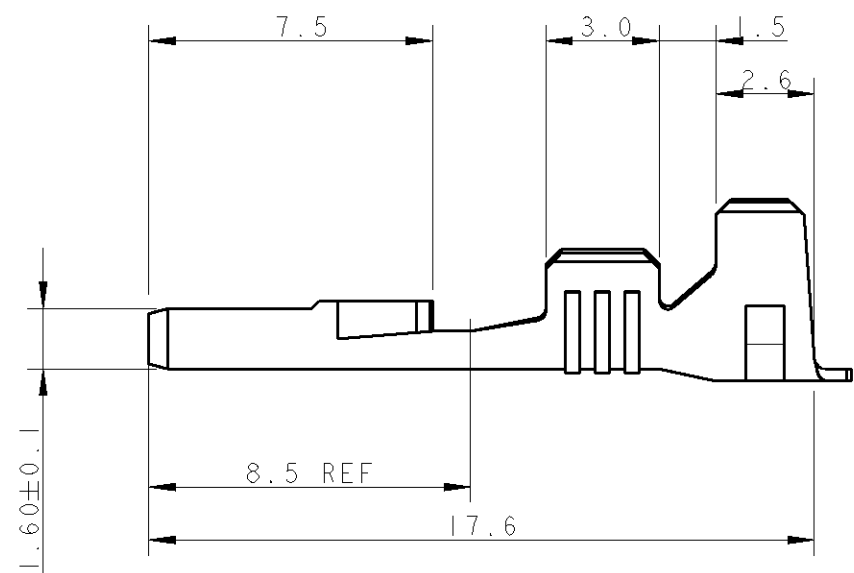


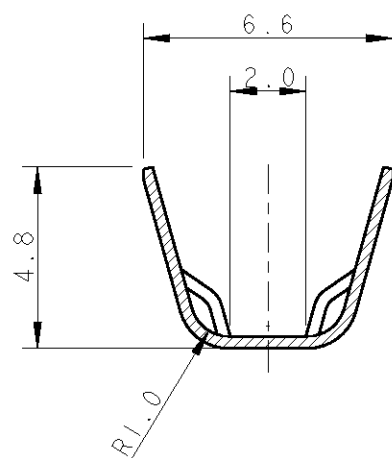
LOC	DIST	REVISIONS					
		P	LTR	DESCRIPTION	DATE	DWN	APVD
1	-		A	RELEASED FOR PRODUCTION FOR ET00-0195-04	27SEP2004	D.C.	G.T.



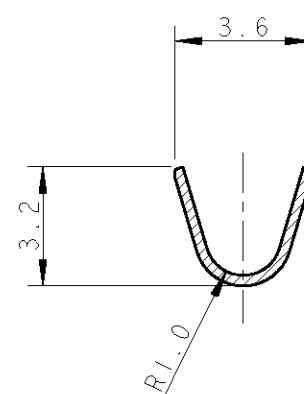
SCALE 1:1



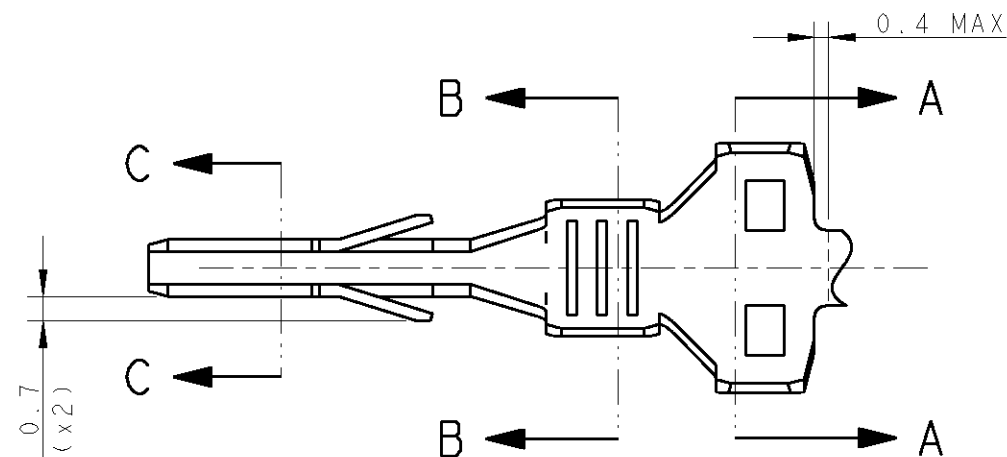
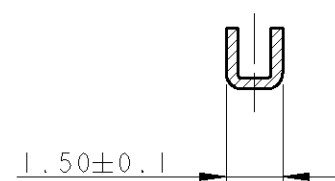
SECTION A-A



SECTION B-B

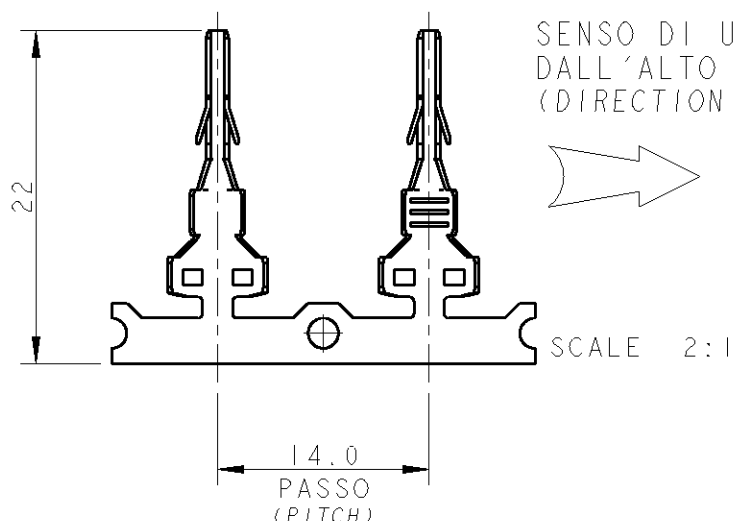


SECTION C-C



- 1 MATERIALE : OTTONE PRE-STAGNATO (MATERIAL : PRE-TINNED BRASS)
- 2 BOBINATO SU BOBINA DA 24" CON CARTA INTERPOSTA, Q.TA'/REEL 3.000 (REELED ON 24" CARTON REEL WITH INTERLEAVE PAPER STRIP, Q.TY/REEL 3.000)
- 3 CAVO SINGOLO STANDARD: (STANDARD, ONE WIRE:)
 - 0.5 mm² ; Ø ISOLANTE (INSULATION Ø) 2.1 mm.
 - 0.75 mm² ; Ø ISOLANTE (INSULATION Ø) 2.3 mm.
- CAVO DOPPIO STANDARD: (STANDARD, TWO WIRES:)
 - 0.75+0.75 mm²

SENSO DI USCITA DEL TERMINALE DALL'ALTO DELLA BOBINA (DIRECTION OFF TOP OF REEL)



P/N 284798-1 COME MOSTRATO (P/N 284798-1 AS SHOWN)

THIS DRAWING IS A CONTROLLED DOCUMENT FOR TYCO ELECTRONICS CORPORATION IT IS SUBJECT TO CHANGE AND THE CONTROLLING ENGINEERING ORGANIZATION SHOULD BE CONTACTED FOR THE LATEST REVISION.		DWN D. CHIARELLI 17DEC2003	tyco Electronics AMP Italia S.p.A. C.so F.lli Cervi, 15 - Collegno (TO)		
DIMENSIONS: mm		CHK C. TARTARI 17DEC2003			
TOLERANCES UNLESS OTHERWISE SPECIFIED:		APVD G. TURCO 17DEC2003	NAME CRIMPED TAB CONTACT P.C.B. INTERFACE		
0 PLC ±0,5 1 PLC ±0,3 2 PLC ±0,1 3 PLC ± 4 PLC ± ANGLES ±1°		PRODUCT SPEC -	RESTRICTED TO -		
MATERIAL		APPLICATION SPEC 114-20115	SIZE A3	CAGE CODE 00779	DRAWING NO C=284798
FINISH		WEIGHT 0,38g	SCALE 5:1 SHEET 1 OF 1 REV A		
		CUSTOMER DRAWING			

X-ON Electronics

Largest Supplier of Electrical and Electronic Components

Click to view similar products for [Headers & Wire Housings](#) category:

Click to view products by [TE Connectivity](#) manufacturer:

Other Similar products are found below :

[892-18-020-10-001101](#) [58102-G61-06LF](#) [582553-1](#) [0009485154](#) [009176003701906](#) [0050291907](#) [LY20-4P-DT1-P1E-BR](#) [02.125.8002.8](#)
[609-3404](#) [61062-3](#) [61082-181009](#) [622-3653LF](#) [63453-116](#) [636-1030](#) [636-1427](#) [636-3427](#) [636-4007](#) [641938-9](#) [641991-4](#) [644827-2](#) [65817-](#)
[010LF](#) [65817-015LF](#) [65863-015LF](#) [66207-023LF](#) [67095-007LF](#) [67601157](#) [68645-018](#) [68648-049](#) [70.362.1628.0](#) [70-4210](#) [70-4226B](#) [70-](#)
[4853B](#) [707-5020](#) [707-5028](#) [71.350.2428.0](#) [71918-208LF](#) [71961-016LF](#) [733-134](#) [733-162](#) [754199-000](#) [760-3052](#) [79531-3000](#) [FCN-](#)
[360C032-B](#) [FCN-367T-T012/H](#) [FCN-723D010/2](#) [80.063.4001.1](#) [800-90-010-10-002000](#) [801-43-002-10-013000](#) [801-43-006-10-002000](#)
[801-93-011-10-001000](#)