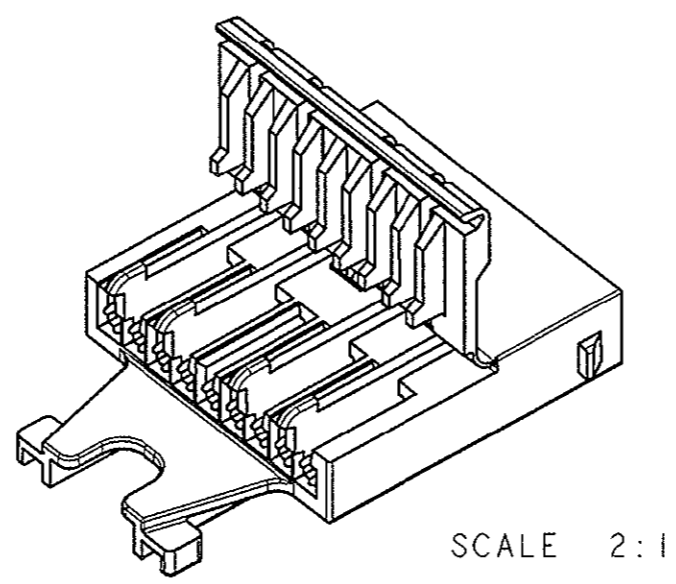
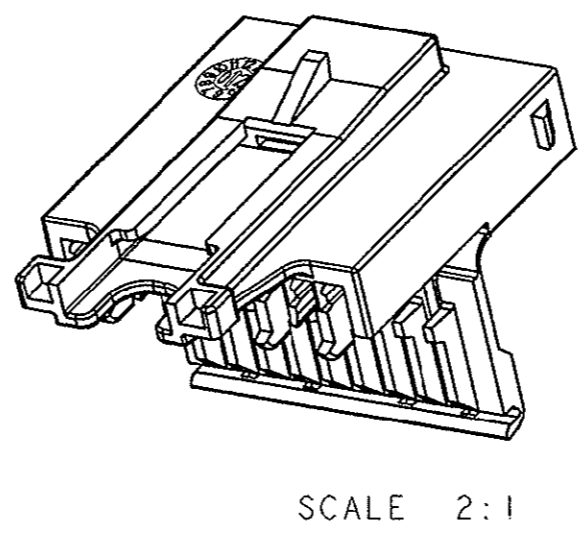
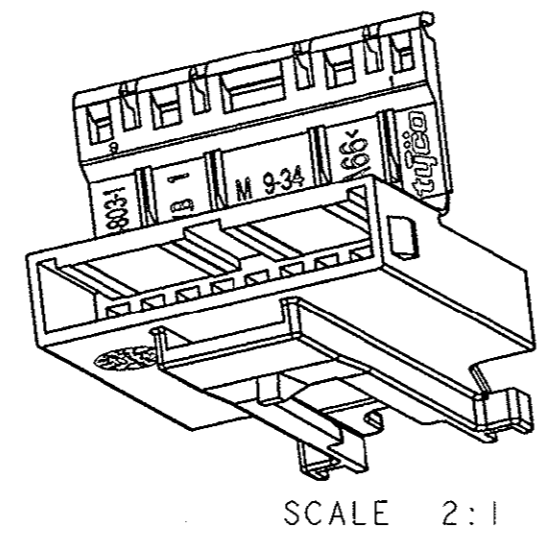
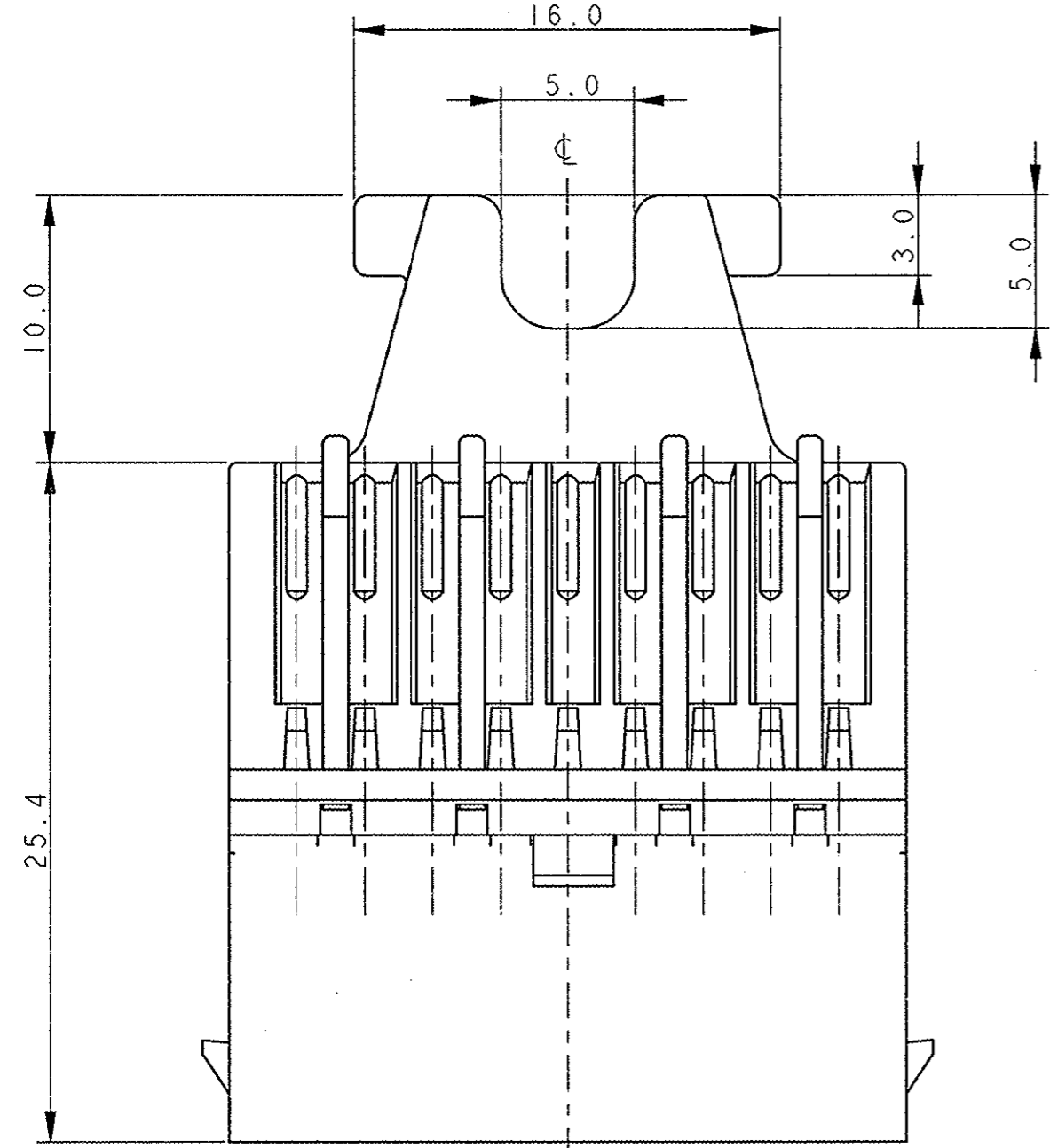
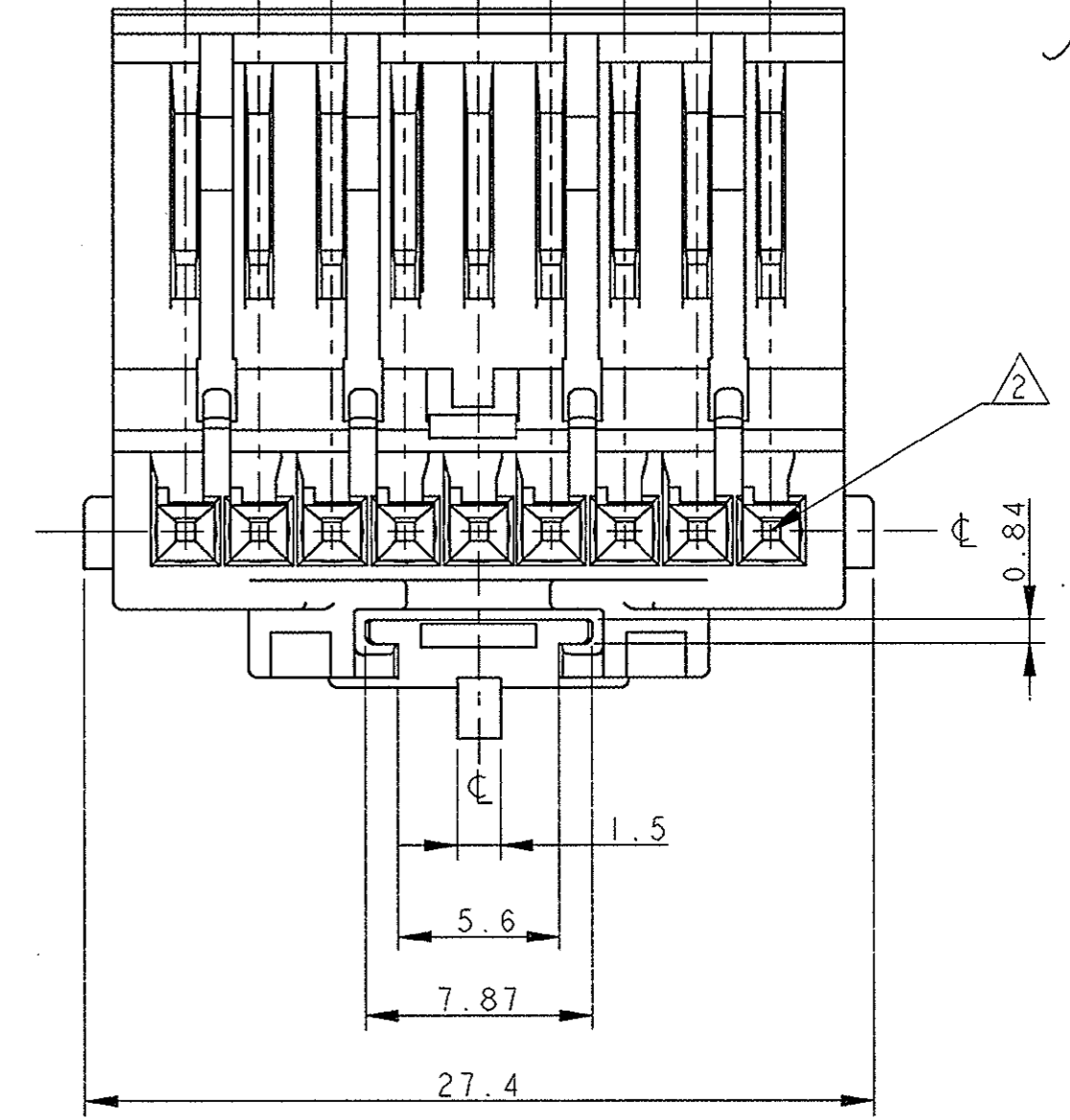
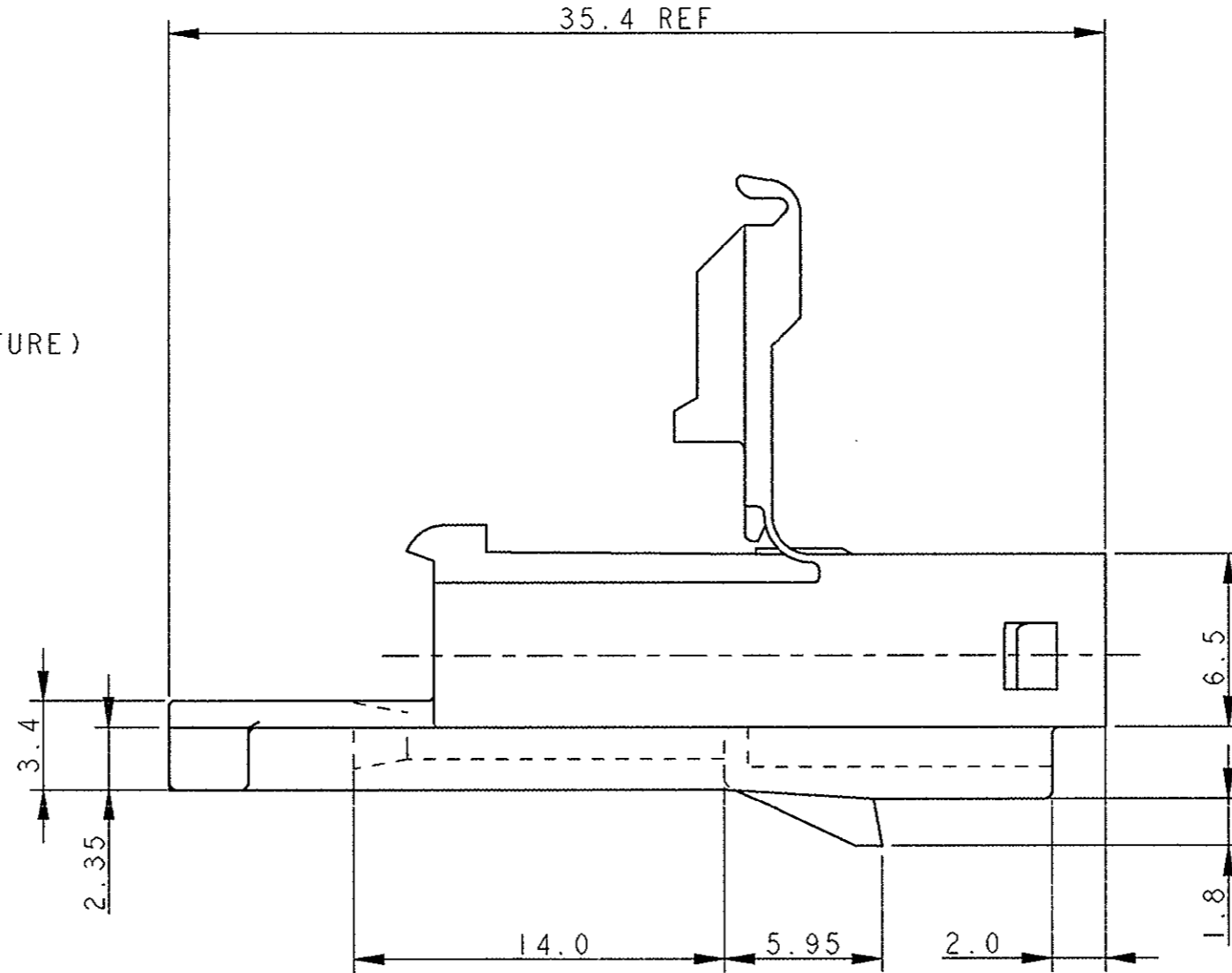
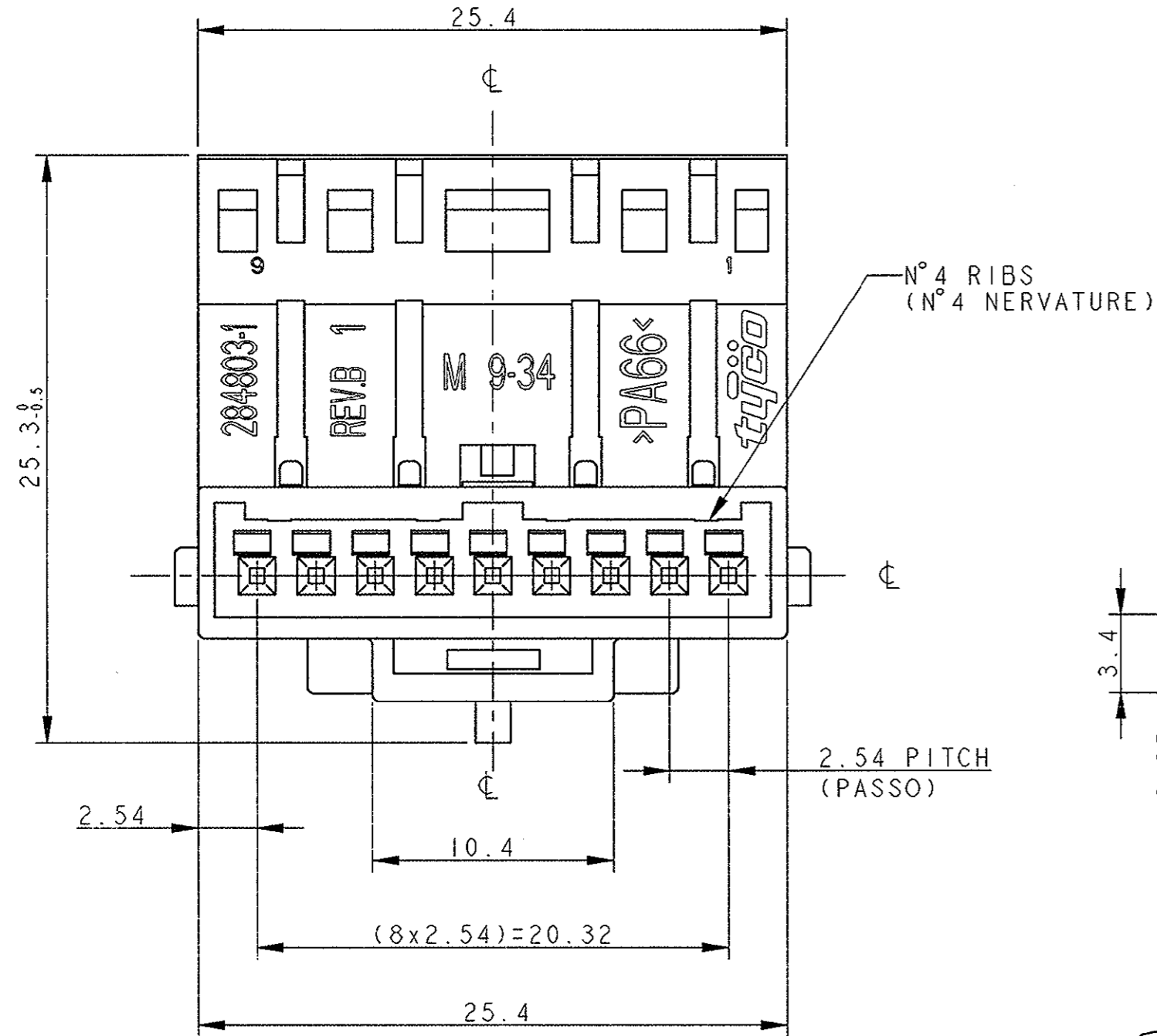


THIS DRAWING IS UNPUBLISHED. RELEASED FOR PUBLICATION 2001
 © COPYRIGHT 2001 BY TYCO ELECTRONICS CORPORATION. ALL RIGHTS RESERVED.

LOC	DIST	REVISIONS					
		P	LTR	DESCRIPTION	DATE	DWN	APVD
		0		PRELIMINARY ISSUE (EMISSIONE PRELIMINARE)	20NOV2001	M.P.	O.C.
		A		FIRST ISSUE	5FEB2002	M.P.	O.C.
		A1		UPDATED DRAWING	26FEB2002	M.P.	O.C.
		A2		UPDATED DRAWING (ET00-0139-02)	15JUL2002	M.P.	O.C.
		A3		RELEASED FOR PRODUCTION (ET00-0114-03)	23FEB2004	M.P.	O.C.
		A4		UPDATED DRAWING (ET00-0116-04)	26MAY2004	M.P.	O.C.
		B		UPDATED DRAWING (ET00-0176-04)	02SEP2004	M.P.	O.C.



- 1 MATERIAL : PA66 BLACK COLOR (MATERIALE : PA66 COLORE NERO)
- 2 CAVITIES SUITABLE FOR MICRO QUADLOCK SYSTEM CONTACT P/N 1-928918-1 (0.25-0.5 mm²) AND P/N 963716-1 (0.75 mm²) (CAVITA' ADATTE PER CONTATTO TIPO MICRO QUADLOCK SYSTEM-MQS) P/N 1-928918-1 (0.25-0.5 mm²) e P/N 963716-1 (0.75 mm²)
- 3) CONNECTOR SUITABLE FOR COUNTERPART P/N 968571-1 (CONNETTORE ADATTO PER CONTROPARTE P/N 968571-1)
- 4) CONNECTOR SUPPLIED WITH SECONDARY LOCK IN OPEN POSITION (CONNETTORE FORNITO CON AGGANCIAMENTO SECONDARIO IN POSIZIONE APERTA)

P/N 284803-1 AS SHOWN (COME MOSTRATO)

DIMENSIONS: mm		TOLERANCES UNLESS OTHERWISE SPECIFIED:		DWN: 20NOV2001	tyco Electronics AMP Italia C.so Fratelli Cervi, 15 Collegno (To)
MATERIAL		FINISH		CHK: 20NOV2001	
MATERIAL		FINISH		APVD: 20NOV2001	NAME: PIN HOUSING 9 POSITIONS MQS (PORTAMASCHI 9 POSIZIONI MQS)
MATERIAL		FINISH		PRODUCT SPEC	SIZE: A2
MATERIAL		FINISH		APPLICATION SPEC	CAGE CODE: 00779
MATERIAL		FINISH		WEIGHT	DRAWING NO: C=284803
MATERIAL		FINISH		CUSTOMER DRAWING	RESTRICTED TO
MATERIAL		FINISH		SCALE: 4:1	SHEET: 1 OF 1
MATERIAL		FINISH		REV: B	

X-ON Electronics

Largest Supplier of Electrical and Electronic Components

Click to view similar products for [Automotive Connectors](#) category:

Click to view products by [TE Connectivity](#) manufacturer:

Other Similar products are found below :

[003-018-000](#) [60403001](#) [60993906-B](#) [M902-2131](#) [M902-2161](#) [72.330.1035.1](#) [73.353.4028.0](#) [F119300-B](#) [F166900](#) [F258300-B](#) [F358300-B](#)
[F407400](#) [F444110](#) [F487000](#) [F509500B-B](#) [827153-1](#) [8N1515-32-24P](#) [9-1326729-8](#) [925474-1](#) [928905-1](#) [964562-4](#) [968782-1](#) [GT17SA-8DS-](#)
[HU](#) [98891-1012](#) [98947-1016](#) [12004147](#) [12004475-L](#) [12010290](#) [12010309-B](#) [12015454](#) [12020219-B](#) [12020308](#) [12041318-B](#) [12052225-L](#)
[12052466](#) [12059125](#) [12064869](#) [12004327-B](#) [12010503-B](#) [12015308](#) [12015384](#) [12015909](#) [1-21030-1](#) [12041254](#) [12041318](#) [12047946-B](#)
[12047957](#) [12047957-L](#) [12059473](#) [12066261](#)