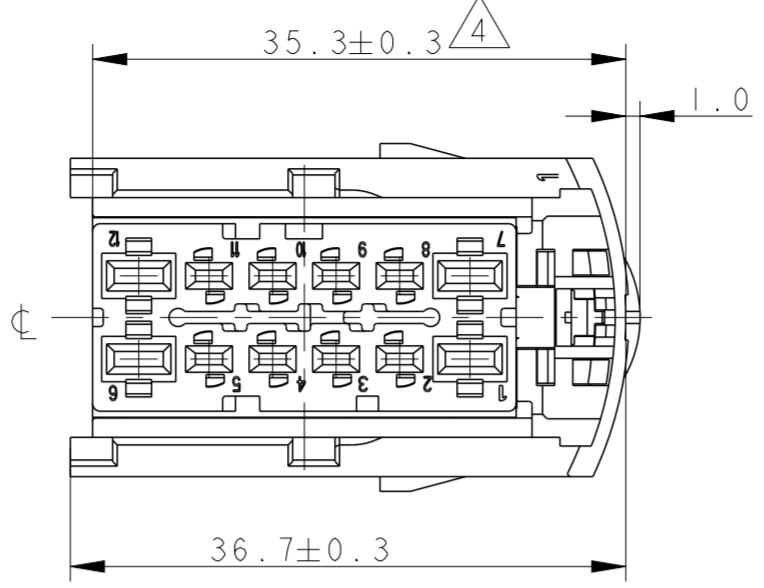
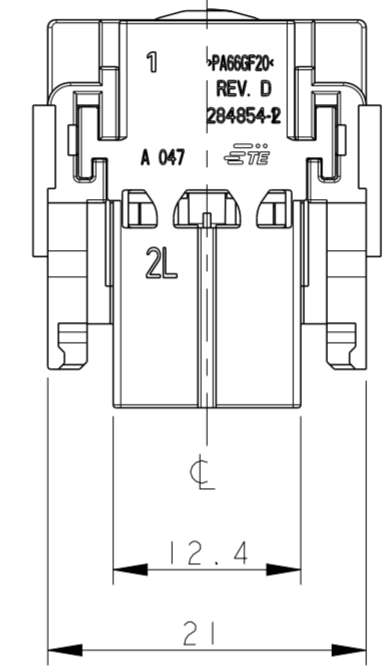
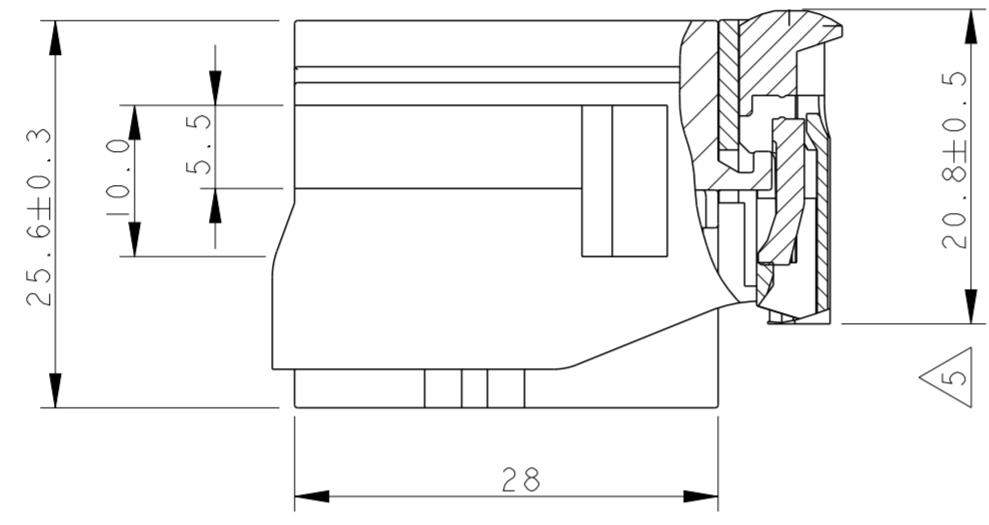


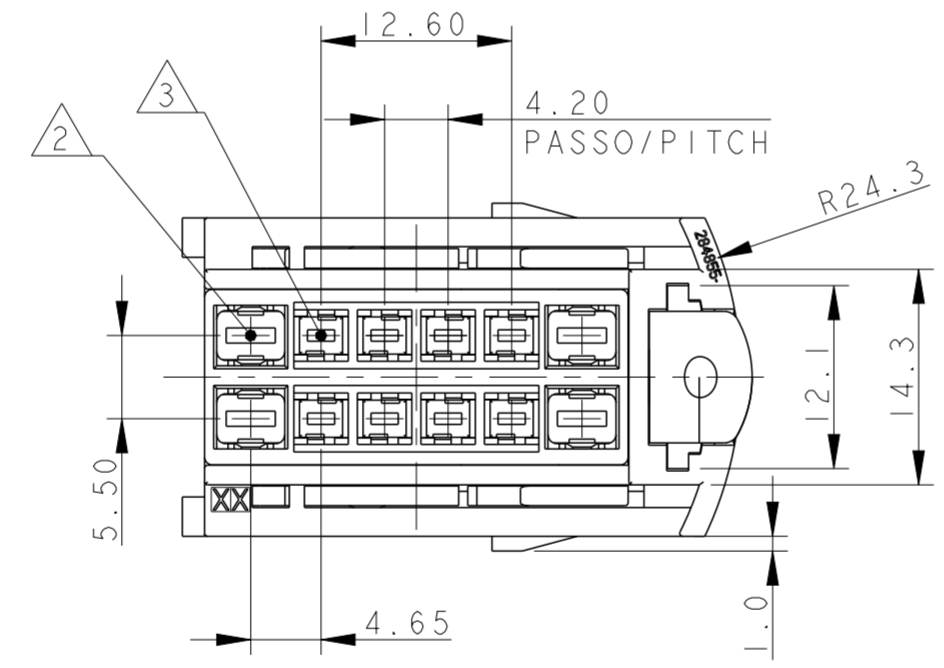
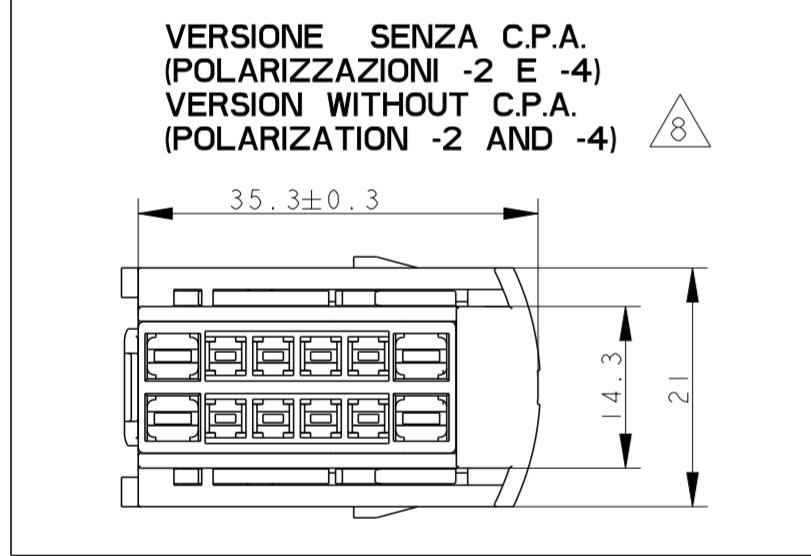
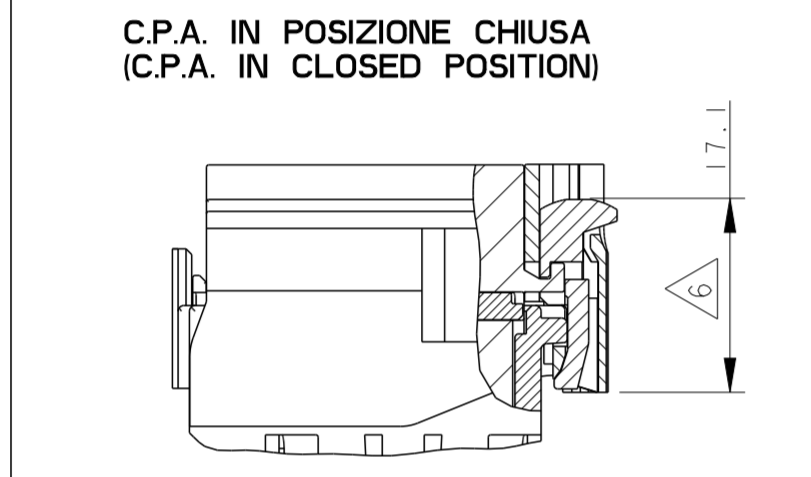
REVISIONS					
P	LTR	DESCRIPTION	DATE	DWN	APVD
C1		ECR-15-011013	29JUL2015	M.P.	M.G.
C2		REVISED PER ECO-17-001706	10FEB2017	C.A.	M.G.
D		CHANGED GLASS FIBER PERCENTAGE ON HSG. ECO-17-018409	15DEC2017	M.G.	M.G.
D1		ECO-19-019085	16DEC2019	M.P.	A.G.



SECTION C-C

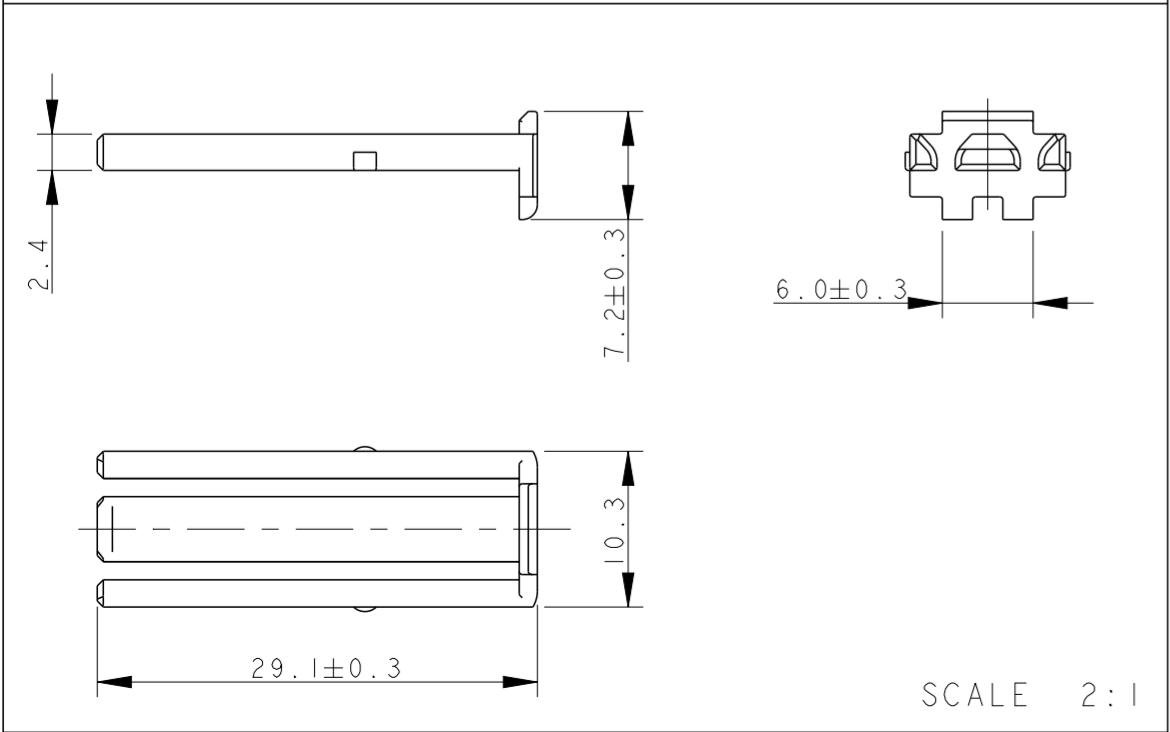


SLITTA IN POSIZIONE CORRETTA PER ACCOPPIAMENTO DI CONNETTORE CON CONTROPARTE  
 (SLIDE IN PROPER POSITION TO MATE THE CONNECTOR WITH COUNTERPART)

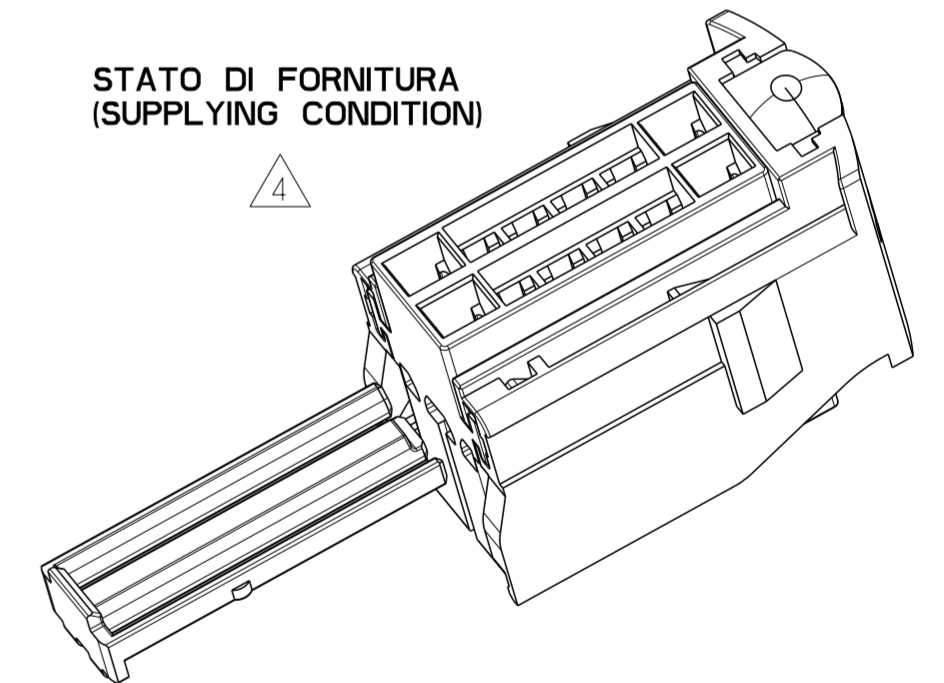
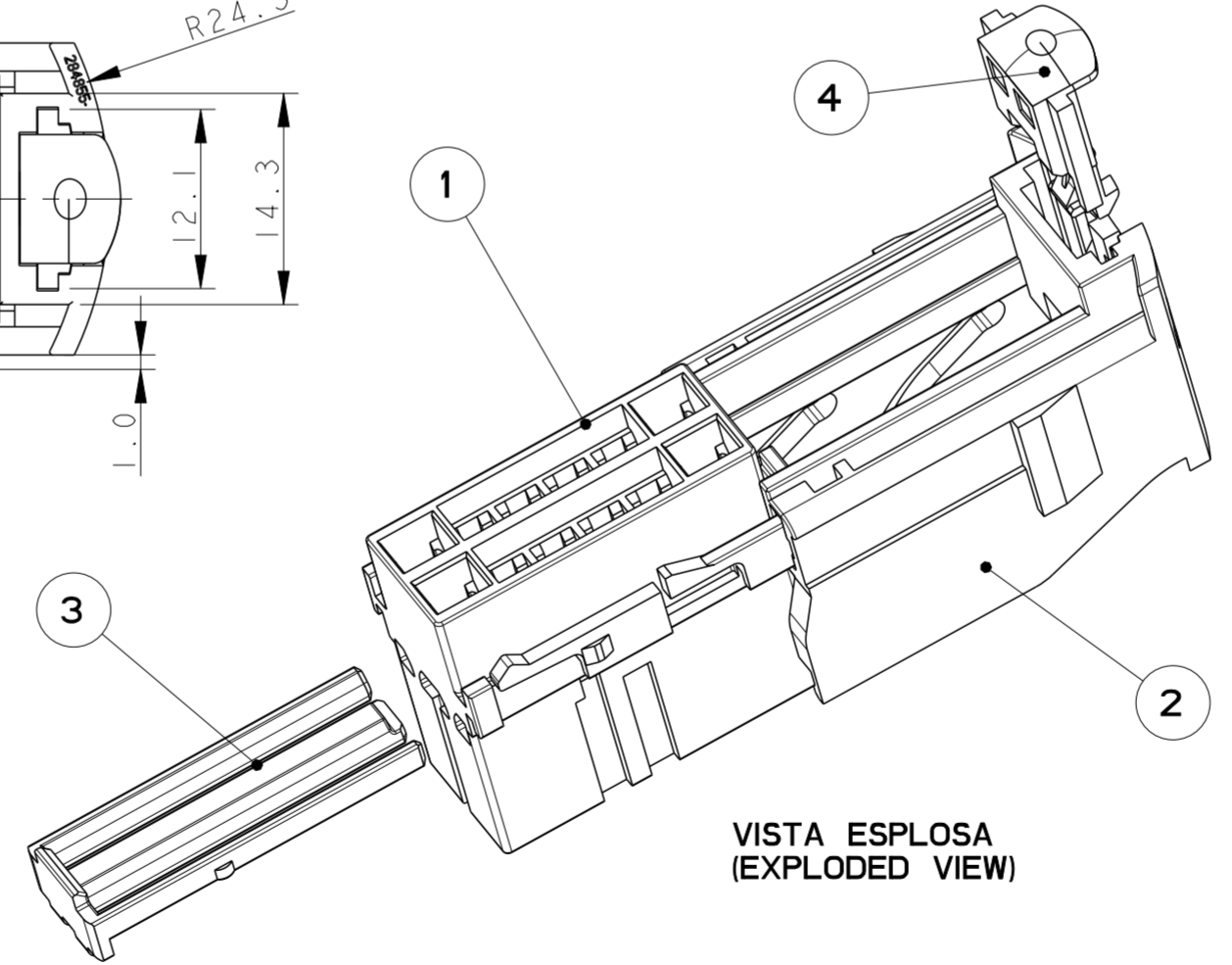


- 1) IL CONNETTORE SI ACCOPPIA CON LA CONTROPARTE P/N 284858 (CONNECTOR MATEABLE WITH COUNTERPART P/N 284858)
- 2) NUMERO 4 CAVITA' ADATTE PER CONTATTI FEMMINA AMP MCP 2.8 NON A TENUTA, DISEGNO DI RIFERIMENTO 1241437 (Nr. 4 CAVITIES SUITABLE FOR AMP MCP 2.8 SOCKET CONTACTS UNSEALED CONTACT MASTER DRAWING 1241437)
- 3) NUMERO 8 CAVITA' ADATTE PER CONTATTI FEMMINA AMP MCP 1.5 NON A TENUTA, DISEGNO DI RIFERIMENTO 1241436 (Nr. 8 CAVITIES SUITABLE FOR AMP MCP 1.5 SOCKET CONTACTS UNSEALED CONTACT MASTER DRAWING 1241436)
- 4) IL CONNETTORE VIENE FORNITO CON SLITTA IN POSIZIONE CHIUSA; IL DISPOSITIVO DI AGGANCIAMENTO SECONDARIO VIENE FORNITO IN KIT NELLA STESSA SCATOLA IN PARI QUANTITA' (CONNECTOR IS SUPPLIED WITH SLIDE IN CLOSED POSITION; SECONDARY LOCK IS SUPPLIED IN KIT IN THE SAME BOX AND QUANTITY)
- 5) C.P.A. IN POSIZIONE PREASSEMBLATA (C.P.A. IN PREASSEMBLED POSITION)
- 6) C.P.A. IN POSIZIONE CHIUSA, QUANDO IL CONNETTORE E' CORRETTAMENTE ACCOPPIATO CON LA CONTROPARTE (C.P.A. IN CLOSED POSITION, WHEN THE CONNECTOR IS PROPERLY MATED WITH THE COUNTERPART)
- 7) AGGANCIAMENTO SECONDARIO COMPLETAMENTE INSERITO, DOPO AVER POSIZIONATO I CONTATTI IN CAVITA' (SECONDARY LOCK COMPLETELY MOUNTED, AFTER CONTACTS INSERTION INTO CAVITIES)
- 8) LE POLARIZZAZIONI -2 E -4 DIFFERISCONO DALLE -1 E -3 SOLAMENTE PER LA SEDE DEL C.P.A. OCCLUSA (POLARIZATION KEYS -2 AND -4 ARE DIFFERENT FROM -1 AND -3 ONLY FOR THE OCCLUDED SEAT FOR C.P.A.)

SECONDARY LOCK FORNITO NELL' IMBALLO IN PARI QUANTITA' (SECONDARY LOCK SUPPLIED IN THE BOX IN THE SAME Q.TY)



SCALE 2:1



P/N 284853-1 COME MOSTRATO (CODICE A)  
 (P/N 284853-1 AS SHOWN (CODING A))  
 VEDI FOGLIO 2 PER ALTRE POLARIZZAZIONI  
 (SEE SHEET 2 FOR OTHER POLARIZATIONS)

Q.TA' (Q.TY)	COLORE (COLOUR)	MATERIALE (MATERIAL)	DESCRIZIONE (DESCRIPTION)	NO. (ITEM)
1	GIALLO/ (YELLOW)	PA66 GF13	C.P.A. (OPZIONALE) C.P.A. (OPTIONAL)	4
1	ROSSO/ (RED)	PA66 GF30	SECONDARY LOCK	3
1	BLU/ (BLUE)	PA66 GF30	SLITTA/ (SLIDE)	2
1	NERO O GRIGIO (BLACK OR GREY)	PA66 GF20	BLOCCHETTO/ (HOUSING)	1

THIS DRAWING IS A CONTROLLED DOCUMENT.		DWN A. PLAZIO 03MAY2002
DIMENSIONS: mm		CHK C. PIA 06MAY2002
TOLERANCES UNLESS OTHERWISE SPECIFIED:		APVD A. GENTIA 06MAY2002
0 PLC	±0.3	PRODUCT SPEC
1 PLC	±0.2	108-20243
2 PLC	±0.1	APPLICATION SPEC
3 PLC	±	411-20071
4 PLC	±	WEIGHT
ANGLES	±1°	12.35g
FINISH	SEE TABLE	Customer Drawing

TE Connectivity		NAME AMP MCP 1.5/2.8 SOCKET HOUSING 12 POS. ASS'Y-UNSEALED (CONNETTORE IBRIDO 12 VIE)	
SIZE	CAGE CODE	DRAWING NO	RESTRICTED TO
A2	-	C-284853	-
SCALE 2:1		SHEET 1 OF 2	REV D1

REVISIONS				
P	LTR	DESCRIPTION	DATE	APVD
-	-	SEE SHEET 1	-	-

### CODICI DI POLARIZZAZIONE (POLARIZATION CODINGS)

<p><b>P/N 284853-1</b>  <b>BLOCCHETTO COLORE NERO</b>        (HOUSING BLACK COLOUR)        CODICE A (CODE A)        VERSIONE CON C.P.A.        (VERSION WITH C.P.A.)        CONTROPARTI ADATTE:        (SUITABLE COUNTERPARTS:)        P/N 284858-1 / 284858-3</p>	<p><b>P/N 284853-2</b> ⚠  <b>BLOCCHETTO COLORE NERO</b>        (HOUSING BLACK COLOUR)        CODICE A (CODE A)        VERSIONE SENZA C.P.A.        (VERSION WITHOUT C.P.A.)        CONTROPARTI ADATTE:        (SUITABLE COUNTERPARTS:)        P/N 284858-1 / 284858-3</p>	<p><b>P/N 284853-3</b>  <b>BLOCCHETTO COLORE GRIGIO</b>        (HOUSING GREY COLOUR)        CODICE B (CODE B)        VERSIONE CON C.P.A.        (VERSION WITH C.P.A.)        CONTROPARTI ADATTE:        (SUITABLE COUNTERPARTS:)        P/N 284858-2 / 284858-4</p>	<p><b>P/N 284853-4</b> ⚠  <b>BLOCCHETTO COLORE GRIGIO</b>        (HOUSING GREY COLOUR)        CODICE B (CODE B)        VERSIONE SENZA C.P.A.        (VERSION WITHOUT C.P.A.)        CONTROPARTI ADATTE:        (SUITABLE COUNTERPARTS:)        P/N 284858-2 / 284858-4</p>

### INGOMBRI DI RIFERIMENTO PER ACCOPIAMENTO CON CONTROPARTE (SPACE NEEDED DURING MATING WITH COUNTERPART)

CONNETTORI IN FASE DI ACCOPIAMENTO (CONNECTORS DURING MATING PHASE)	CONNETTORI ACCOPIATI (MATED CONNECTORS)
SCALE 2:1	SCALE 2:1

THIS DRAWING IS A CONTROLLED DOCUMENT.		DWN A. PLAZIO 03MAY2002	<b>STE</b> TE Connectivity
DIMENSIONS: mm		CHK C. PIA 06MAY2002	
TOLERANCES UNLESS OTHERWISE SPECIFIED:		APVD A. GENIA 06MAY2002	
0 PLC ±0.3 1 PLC ±0.2 2 PLC ±0.1 3 PLC ± 4 PLC ± ANGLES ±1°		NAME AMP MCP 1.5/2.8 SOCKET HOUSING 12 POS. ASS'Y-UNSEALED (CONNETTORE IBRIDO 12 VIE)	
MATERIAL SEE TABLE	FINISH SEE TABLE	PRODUCT SPEC 108-20243	SIZE A2
Customer Drawing		APPLICATION SPEC 411-20071	CAGE CODE -
		WEIGHT 12.35g	DRAWING NO C-284853
		SCALE 2:1	RESTRICTED TO -
		SHEET 2 OF 2	REV D1

## X-ON Electronics

Largest Supplier of Electrical and Electronic Components

*Click to view similar products for [Automotive Connectors](#) category:*

*Click to view products by [TE Connectivity](#) manufacturer:*

Other Similar products are found below :

[003-018-000](#) [60993906-B](#) [M902-2131](#) [M902-2161](#) [M902-2344](#) [72.330.1035.1](#) [73.353.4028.0](#) [F166900](#) [F358300-B](#) [F407400](#) [776880-1](#)  
[827153-1](#) [8N1515-32-24P](#) [9-1326729-8](#) [925474-1](#) [928905-1](#) [964562-4](#) [968782-1](#) [98891-1012](#) [12004475-L](#) [12020308](#) [12041318-B](#)  
[12052466](#) [12064869](#) [12015909](#) [1-21030-1](#) [12041254](#) [12041318](#) [12047946-B](#) [12110546-B](#) [12131792](#) [12084688](#) [12092346](#) [HD34-18-14PT](#)  
[HD46-24-23SN-059](#) [HDB36-24-16PN-059](#) [HDP26-24-9SE-L015](#) [12185280](#) [12185550](#) [12336-12](#) [12191172-B](#) [12S](#) [13545280](#) [13577943](#)  
[13681974](#) [13737722-B](#) [13830674](#) [13832576](#) [13849772](#) [13542772](#)