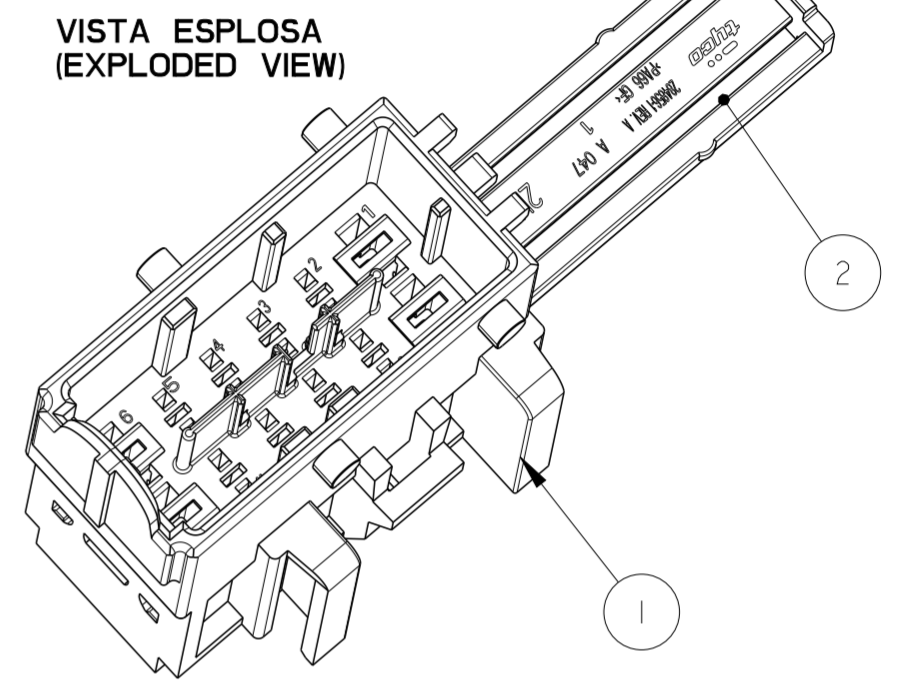
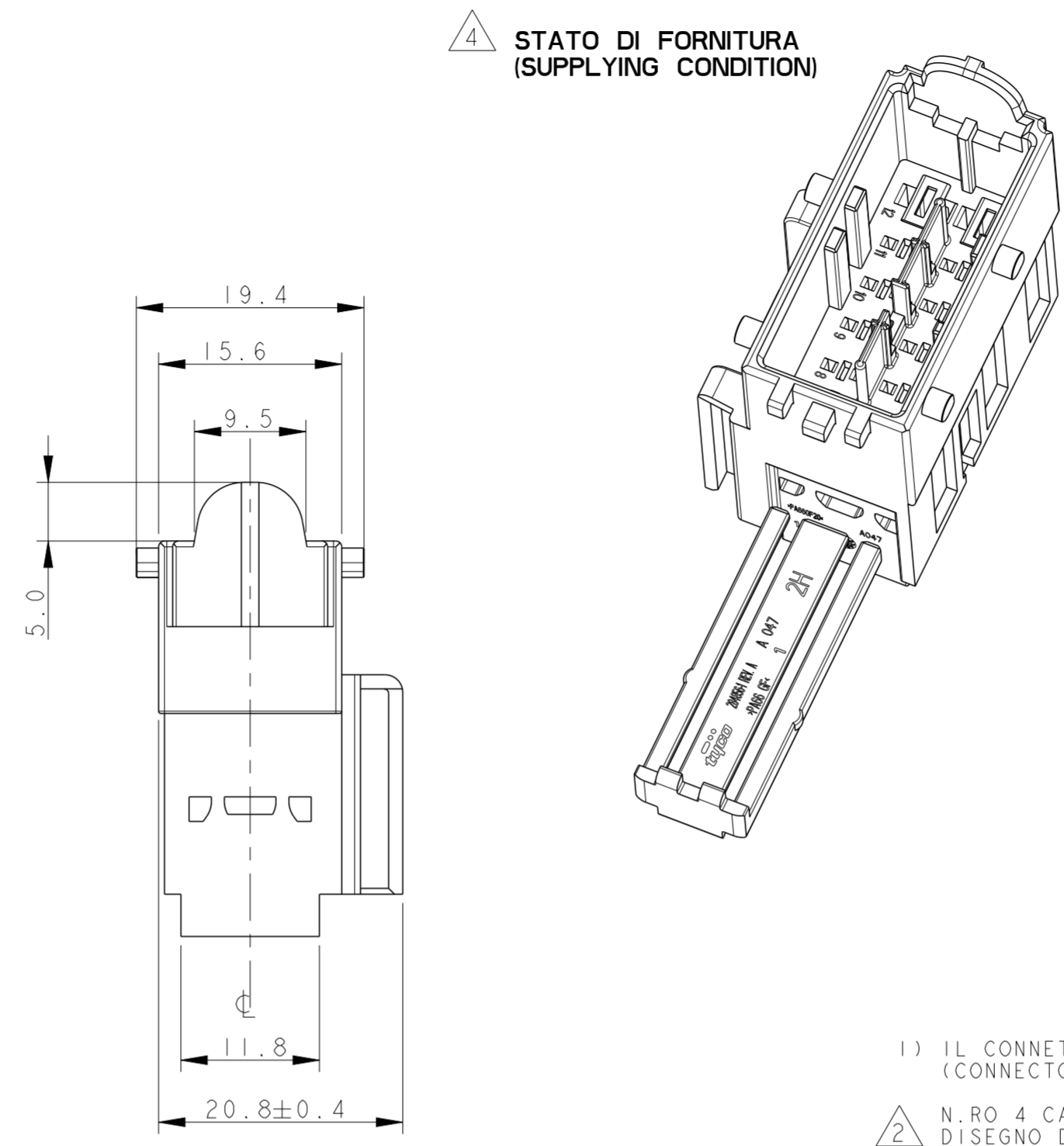
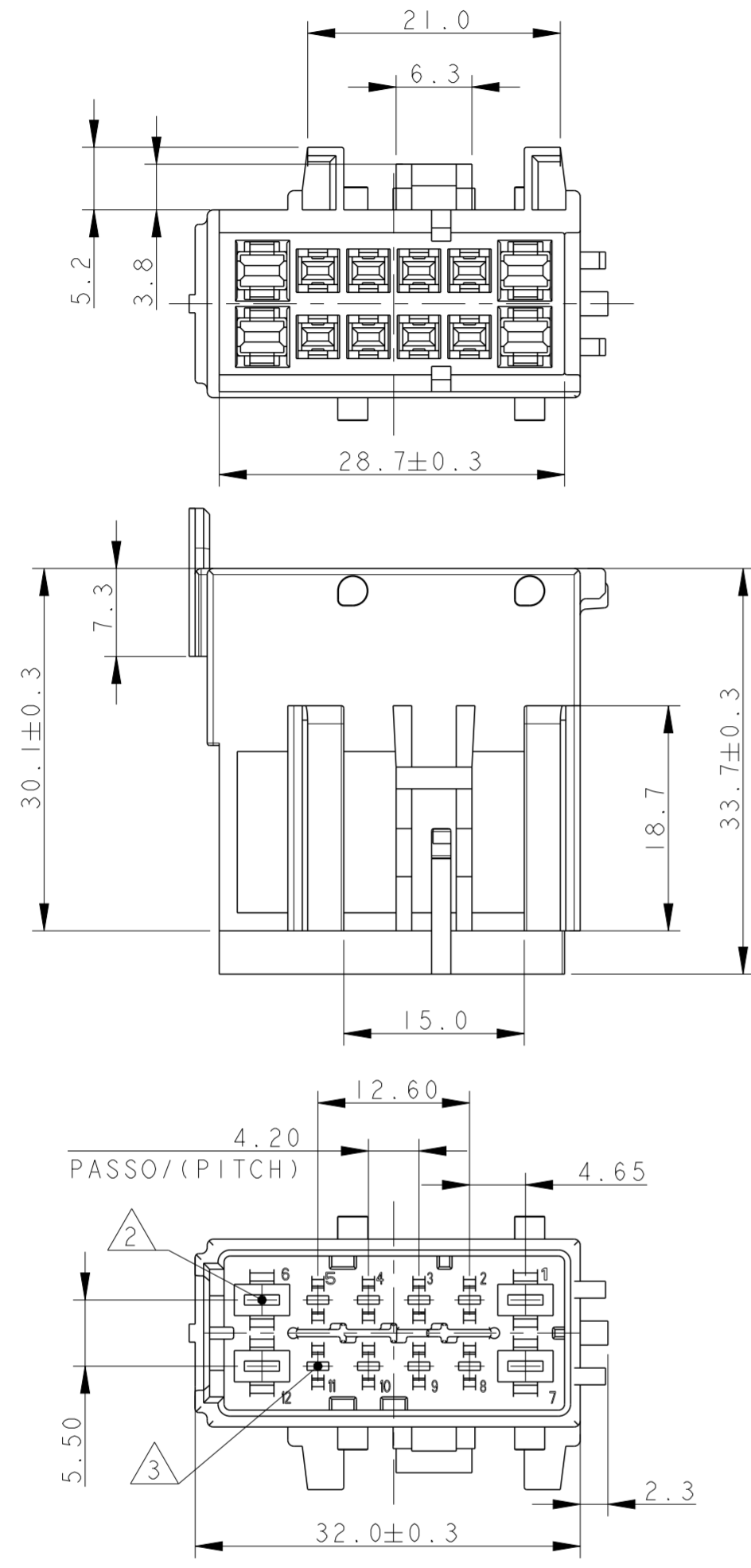


REVISIONS				
P	LTR	DESCRIPTION	DATE	APVD
C1		ECR-15-011013	29JUL2015	M.P. M.G.
C2		REVISED PER ECO-17-001706	10FEB2017	C.A. M.G.
D		CHANGED GLASS FIBER PERCENTAGE ON HSG. ECO-17-018409	15DEC2017	M.G. M.G.
D1		ECO-19-019085	16DEC2019	M.P. A.G.

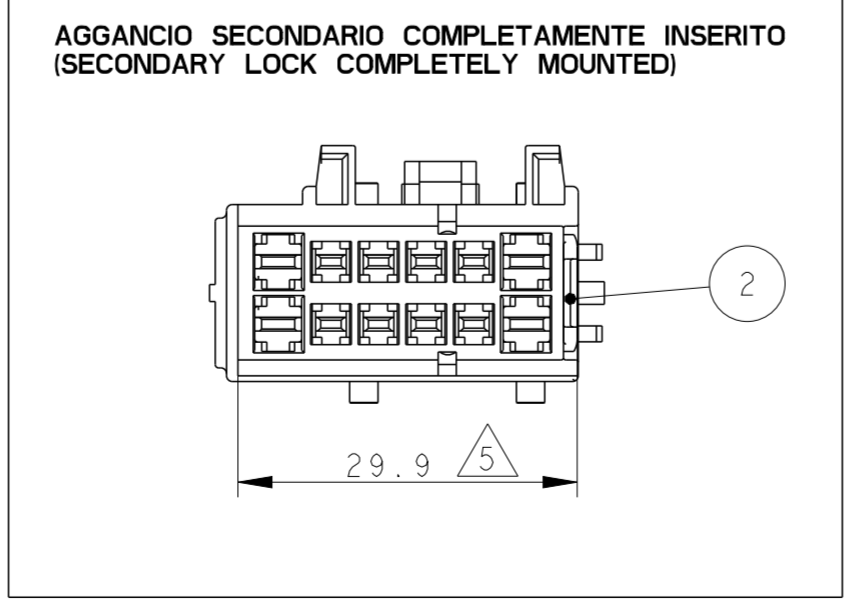
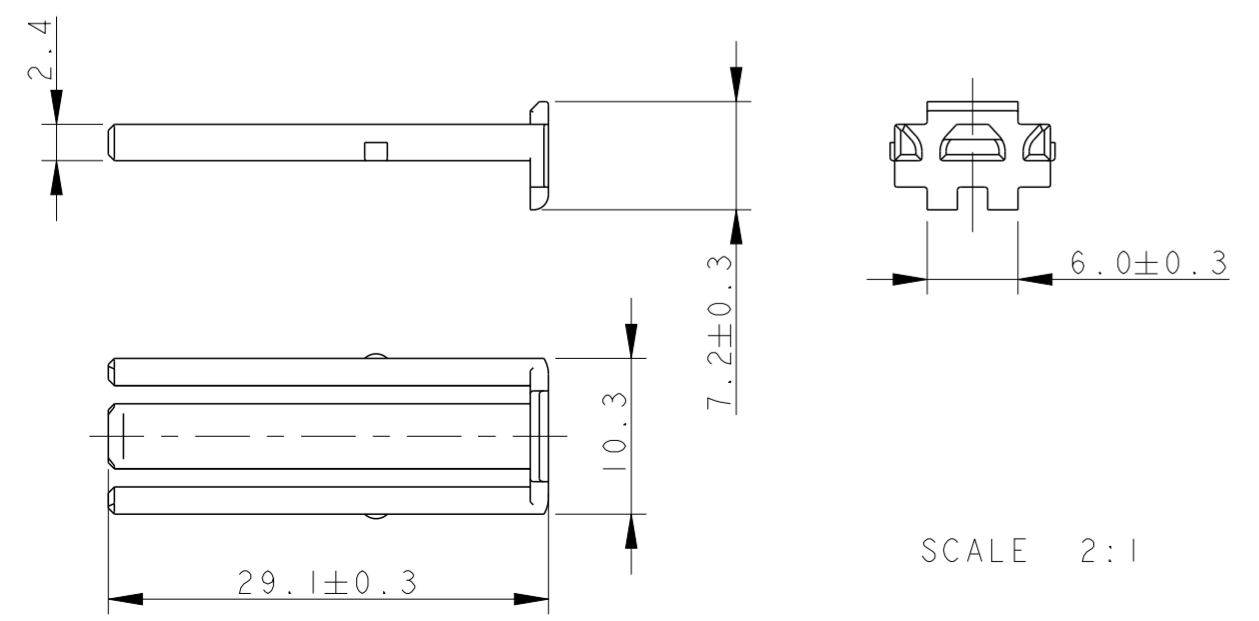


4 STATO DI FORNITURA (SUPPLYING CONDITION)

- 1) IL CONNETTORE SI ACCOPPIA CON LA CONTROPARTE P/N 284853 (CONNECTOR MATEABLE WITH COUNTERPART P/N 284853)
- 2) N.RO 4 CAVITA' ADATTE PER CONTATTI MASCHIO 2.8x0.8 mm FORMA "A" NON A TENUTA. DISEGNO DI RIFERIMENTO 1355364 (N. 4 CAVITIES SUITABLE FOR 2.8X0.8 mm FORM "A" TAB CONTACTS UNSEALED CONTACT MASTER DRAWING 1355364)
- 3) N.RO 8 CAVITA' ADATTE PER CONTATTI MASCHIO 1.6x0.6 mm FORM "A" NON A TENUTA. DISEGNO DI RIFERIMENTO 1355055 (N. 8 CAVITIES SUITABLE FOR 1.6x0.6mm FORM "A" TAB CONTACTS UNSEALED CONTACT MASTER DRAWING 1355055)
- 4) IL CONNETTORE VIENE FORNITO CON AGGANCIO SECONDARIO NELLA STESSA SCATOLA IN PARI QUANTITA' (CONNECTOR IS SUPPLIED WITH SECONDARY LOCK IN THE SAME BOX IN SAME Q.TY)
- 5) AGGANCIO SECONDARIO COMPLETAMENTE INSERITO, DOPO INSERIZIONE DI CONTATTI IN CAVITA' (SECONDARY LOCK COMPLETELY MOUNTED, AFTER CONTACTS INSERTION INTO CAVITIES)
- 6) LE POLARIZZAZIONI -3 E -4 DIFFERISCONO DALLE -1 E -2 SOLAMENTE PER LA POSIZIONE DEL SISTEMA DI AGGANCIO A PANNELLO (POLARIZATION -3 AND -4 ARE DIFFERENT FROM -1 AND -2 ONLY FOR THE DIFFERENT LOCATION OF THE PANNEL HOOK DEVICE)

P/N 284858-1 COME MOSTRATO (CODICE A)  
 (P/N 284858-1 AS SHOWN (CODING A))  
 VEDI FOGLIO 2 PER ALTRE POLARIZZAZIONI  
 (SEE SHEET 2 FOR OTHER POLARIZATIONS)

SECONDARY LOCK FORNITO NELL'IMBALLO IN PARI QUANTITA'  
 (SECONDARY LOCK SUPPLIED IN THE BOX IN THE SAME Q.TY)



Q.TA' (Q.TY)	COLORE (COLOUR)	MATERIALE (MATERIAL)	DESCRIZIONE (DESCRIPTION)	NO. (ITEM)
1	ROSSO / (RED)	PA66 GF30	SECONDARY LOCK	2
1	NERO O GRIGIO (BLACK OR GRAY)	PA66 GF20	BLOCCHETTO / (HOUSING)	1

THIS DRAWING IS A CONTROLLED DOCUMENT.		DWN	A. PLAZIO	03MAY2002	TE Connectivity	
DIMENSIONS: mm		CHK	C. PIA	06MAY2002		
TOLERANCES UNLESS OTHERWISE SPECIFIED:		APVD	A. GENIA	06MAY2002		
0 PLC ±0.3		PRODUCT SPEC		108-20243		
1 PLC ±0.2		APPLICATION SPEC		411-20071	NAME	AMP MCP 1.5/2.8 TAB HOUSING 12 POS. ASS'Y -UNSEALED
2 PLC ±0.1		WEIGHT	9.6g		SIZE	A2
3 PLC ±0.1		MATERIAL	SEE TABLE		CAGE CODE	-
4 PLC ±		FINISH	-		DRAWING NO	C-284858
ANGLES ±°					RESTRICTED TO	-
Customer Drawing					SCALE	5:1
					SHEET	1 OF 2
					REV	D1

REVISIONS				
P	LTR	DESCRIPTION	DATE	APVD
-	-	SEE SHEET 1	-	-

### CODICI DI POLARIZZAZIONE (POLARIZATION CODINGS)

<p><b>P/N 284858-1</b></p> <p>BLOCCHETTO COLORE NERO (HOUSING BLACK COLOUR)</p> <p>CODICE A (CODE A)</p> <p>SISTEMA AGGANCIO A PANNELLO SU LATO SX (PANEL HOOK DEVICE ON LEFT SIDE)</p> <p>CONTROPARTI ADATTE: (SUITABLE COUNTERPARTS): P/N 284853-1 / 284853-2</p>	<p><b>P/N 284858-2</b></p> <p>BLOCCHETTO COLORE GRIGIO (HOUSING GREY COLOUR)</p> <p>CODICE B (CODE B)</p> <p>SISTEMA AGGANCIO A PANNELLO SU LATO SX (PANEL HOOK DEVICE ON LEFT SIDE)</p> <p>CONTROPARTI ADATTE: (SUITABLE COUNTERPARTS): P/N 284853-3 / 284853-4</p>	<p><b>P/N 284858-3</b></p> <p>BLOCCHETTO COLORE NERO (HOUSING BLACK COLOUR)</p> <p>CODICE A (CODE A)</p> <p>SISTEMA AGGANCIO A PANNELLO SU LATO DX (PANEL HOOK DEVICE ON RIGHT SIDE)</p> <p>CONTROPARTI ADATTE: (SUITABLE COUNTERPARTS): P/N 284853-1 / 284853-2</p>	<p><b>P/N 284858-4</b></p> <p>BLOCCHETTO COLORE GRIGIO (HOUSING GREY COLOUR)</p> <p>CODICE B (CODE B)</p> <p>SISTEMA AGGANCIO A PANNELLO SU LATO DX (PANEL HOOK DEVICE ON RIGHT SIDE)</p> <p>CONTROPARTI ADATTE: (SUITABLE COUNTERPARTS): P/N 284853-3 / 284853-4</p>

### INGOMBRI DI RIFERIMENTO PER ACCOPIAMENTO CON CONTROPARTE (SPACE NEEDED DURING MATING WITH COUNTERPART)

CONNETTORI IN FASE DI ACCOPIAMENTO (CONNECTORS DURING MATING PHASE)	CONNETTORI ACCOPIATI (MATED CONNECTORS)
<p>CONNETTORE PORTA FEMMINE A 12 POS. (12 POS. FEMALE CONNECTOR) VEDI DIS. (SEE DWG.) P/N 284853</p> <p>CONNETTORE PORTA MASCHI A 12 VIE (12 POS. MALE CONNECTOR)</p> <p>SCALE 2:1</p>	<p>SCALE 2:1</p>

THIS DRAWING IS A CONTROLLED DOCUMENT.		DWN A PLAZIO 03MAY2002	TE Connectivity	
DIMENSIONS: mm		CHK C PIA 06MAY2002		
TOLERANCES UNLESS OTHERWISE SPECIFIED:		APVD A GENTA 06MAY2002	NAME AMP MCP 1.5/2.8 TAB HOUSING 12 POS. ASS'Y -UNSEALED	
0 PLC ±0.3		PRODUCT SPEC 108-20243	SIZE A2	
1 PLC ±0.2		APPLICATION SPEC 411-20071	CAGE CODE -	
2 PLC ±0.1		WEIGHT 9.6g	DRAWING NO C-284858	
3 PLC ±		Customer Drawing	RESTRICTED TO -	
4 PLC ±		SCALE 2:1	SHEET 2 OF 2	
ANGLES ±1°			REV D1	
FINISH -				
MATERIAL SEE TABLE				

## X-ON Electronics

Largest Supplier of Electrical and Electronic Components

*Click to view similar products for [Automotive Connectors](#) category:*

*Click to view products by [TE Connectivity](#) manufacturer:*

Other Similar products are found below :

[003-018-000](#) [60993906-B](#) [M902-2131](#) [M902-2161](#) [M902-2344](#) [72.330.1035.1](#) [73.353.4028.0](#) [F166900](#) [F358300-B](#) [F407400](#) [776880-1](#)  
[827153-1](#) [8N1515-32-24P](#) [9-1326729-8](#) [925474-1](#) [928905-1](#) [964562-4](#) [968782-1](#) [98891-1012](#) [12004475-L](#) [12020308](#) [12041318-B](#)  
[12052466](#) [12064869](#) [12015909](#) [1-21030-1](#) [12041254](#) [12041318](#) [12047946-B](#) [12047957](#) [12110546-B](#) [12131792](#) [12092346](#) [HD34-18-14PT](#)  
[HD46-24-23SN-059](#) [HDB36-24-16PN-059](#) [HDP26-24-9SE-L015](#) [12185280](#) [12185550](#) [12336-12](#) [12147304](#) [12191172-B](#) [12S](#) [13545280](#)  
[13577943](#) [13681974](#) [13737722-B](#) [13755420](#) [13783086](#) [13830674](#)