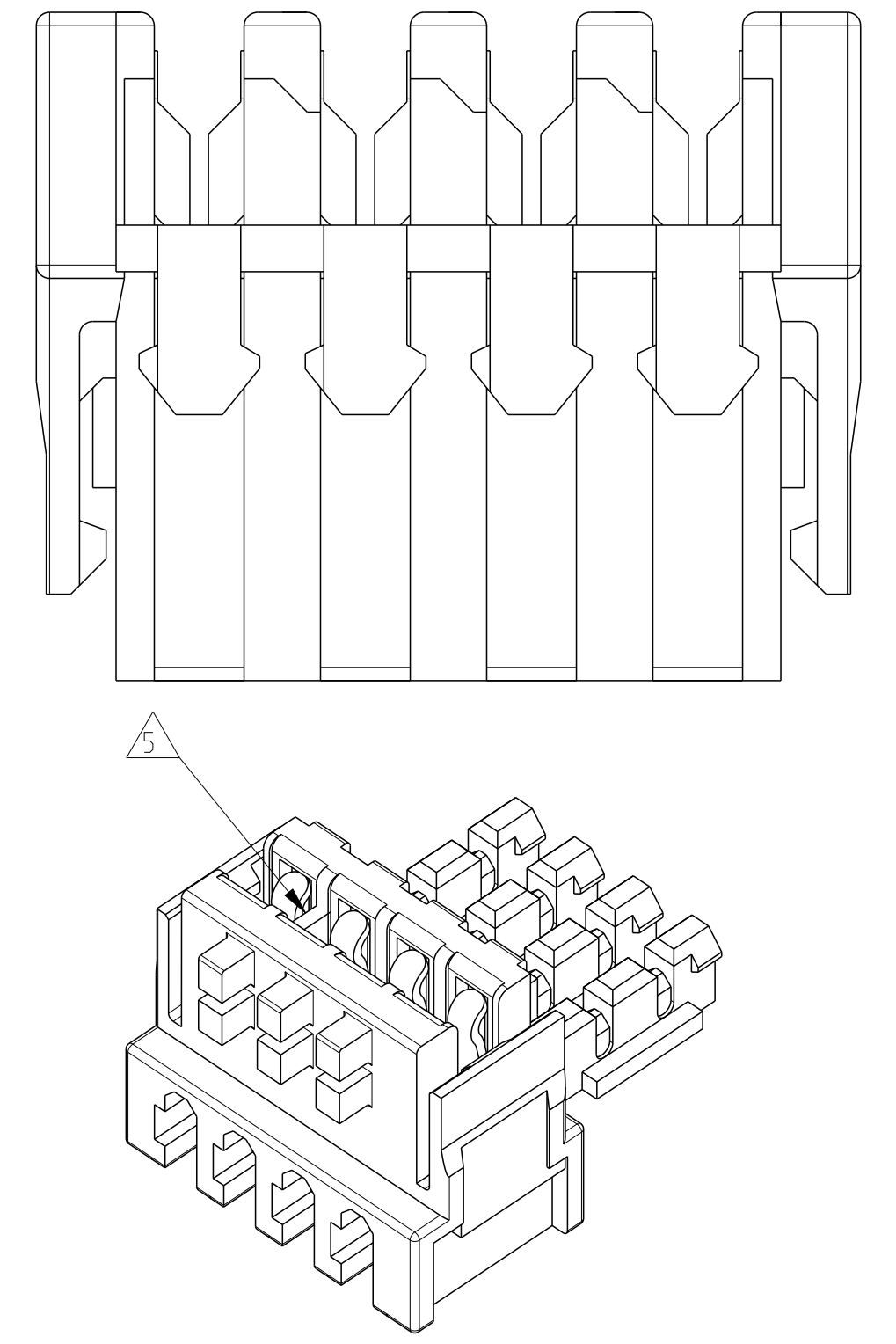
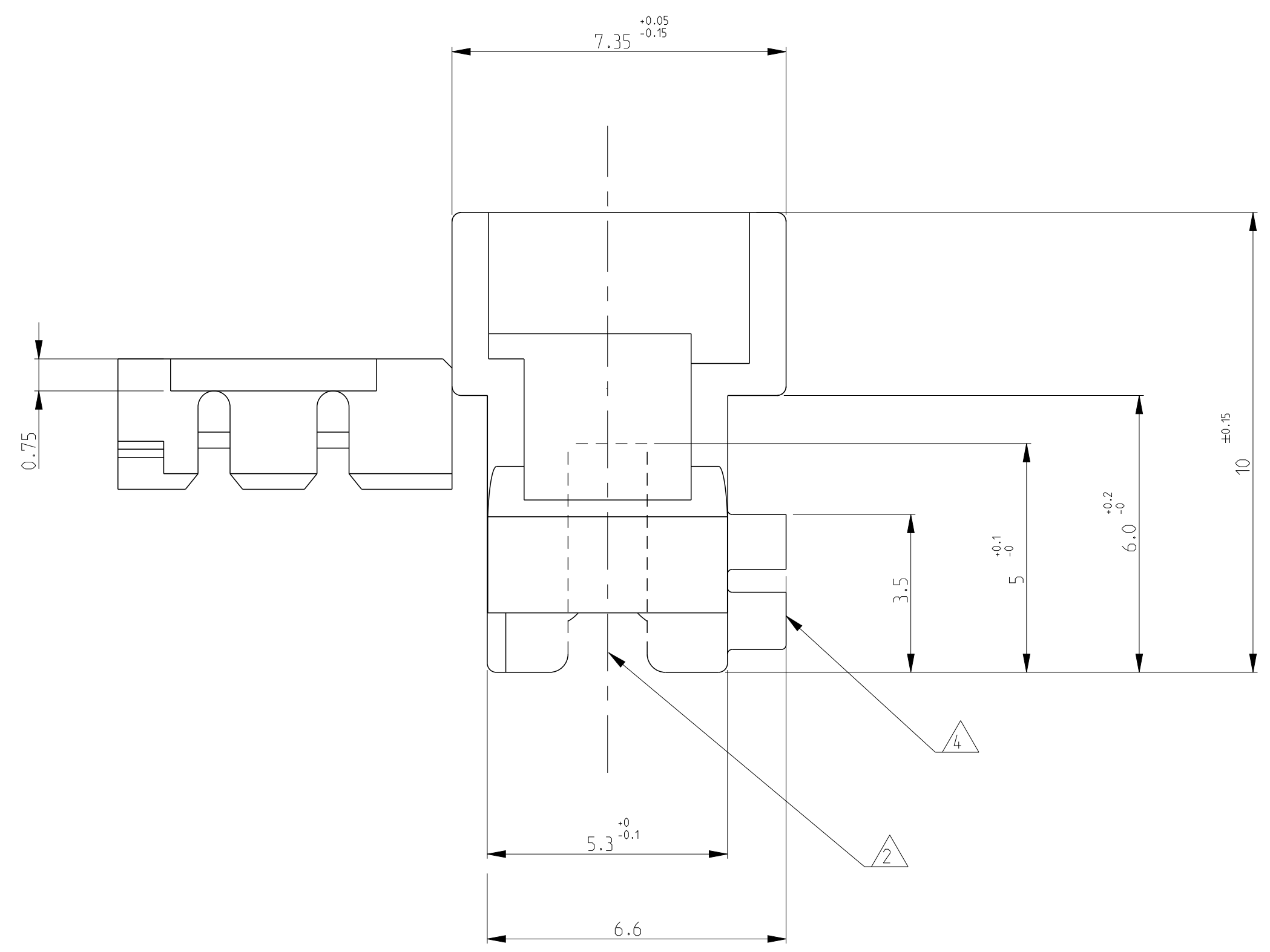
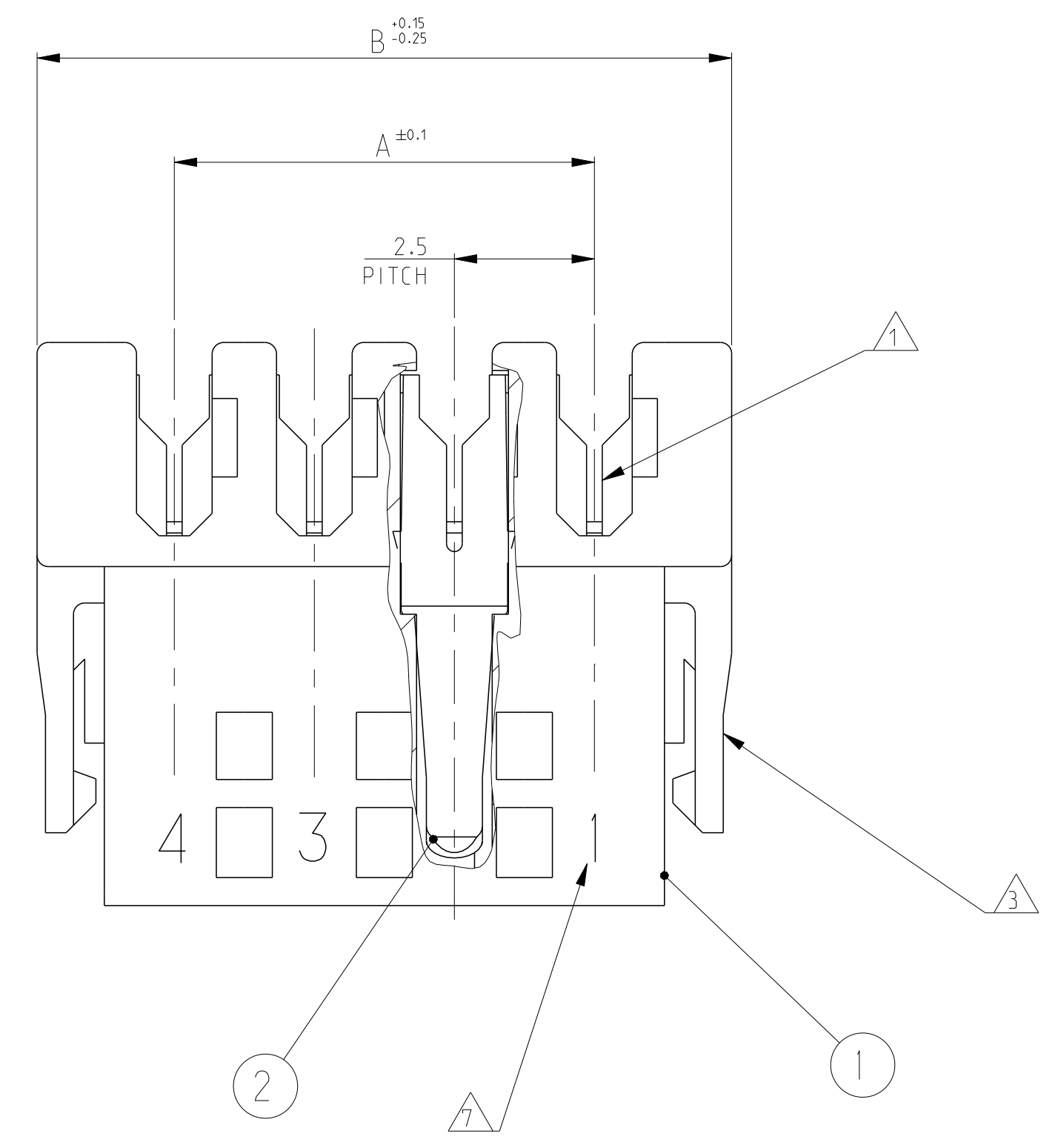
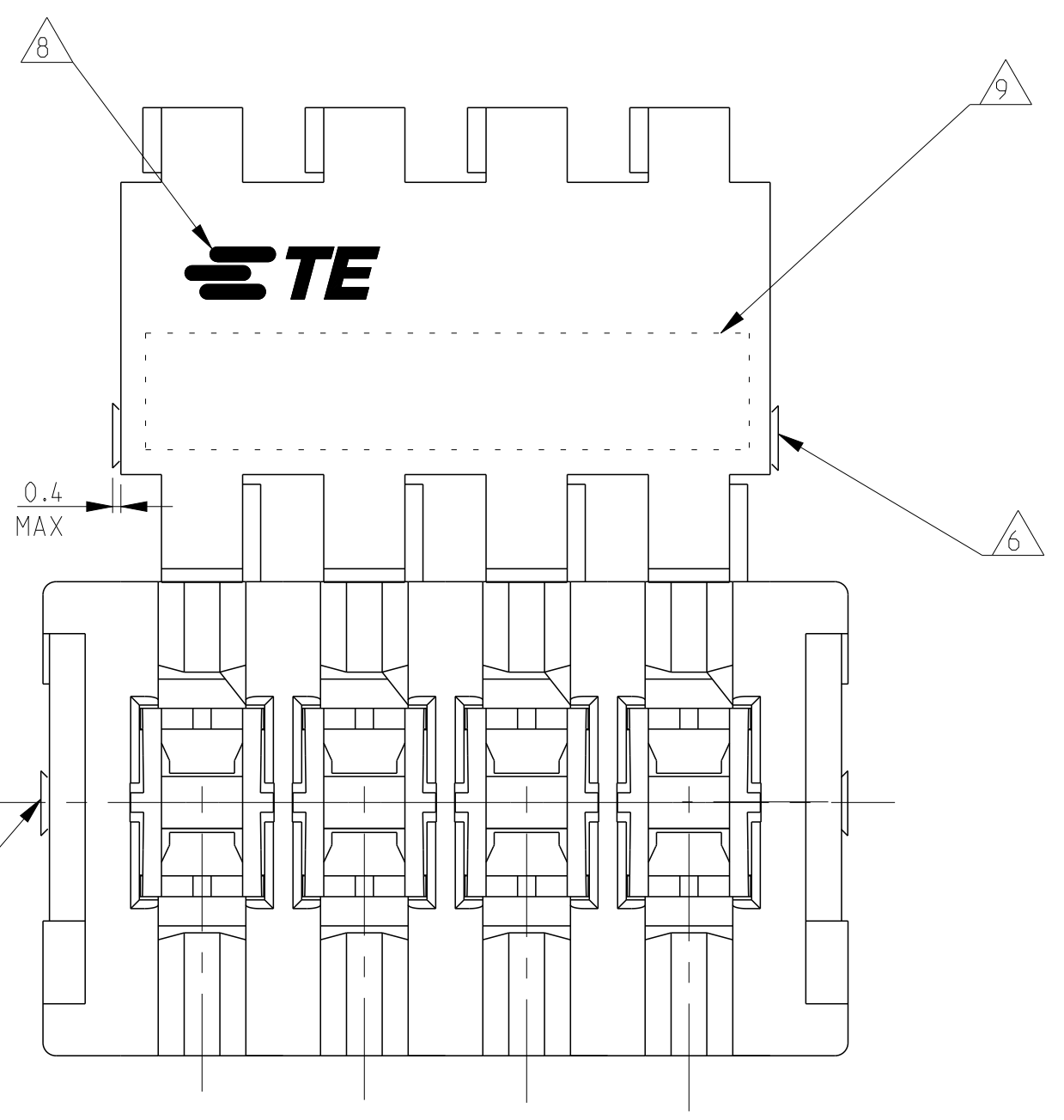


LOC		DIST		REVISIONS			
P	LTN	DESCRIPTION	DATE	DMN	APVD		
A22	ECR-19-004458		26MAR2019	LZ	FL		
A23	ECR-19-005718		15APR2019	LZ	FL		
B	ECR-19-015553		31OCT2019	SM	FL		



SCALE 5:1



- 1 WIRE RANGE : STRANDED 0.22-0.35 mm<sup>2</sup> (INS. DIA. 1.30±0.1)
- 2 MATING PART: P.C.B. EDGE, DOUBLE SIDE, THK 1.5 (COPPER CLADDING INCLUDED)
- 3 SIDE LOCKING DEVICE
- 4 KEYING RIBS TO BE REMOVED BY TERMINATION MACHINE
- 5 POLARIZATION RIBS BETWEEN CAVITIES
- 6 CUT OFF DIMENSION DUE TO PRODUCTION PROCESS
- 7 CIRCUIT No. IDENTIFICATION
- 8 TE TRADEMARK (OPTIONAL POSITION)
- 9 TAMPOGRAPHIC COLOUR CODE AREA (P/Ns IDENTIFICATION BEFORE CRIMPING AREA)
- 10 FOR PCB LAYOUT, SEE PAGES 2-3  
FOR CONNECTION VIEW LAYOUT, SEE PAGE 3
- 11 NOT YET RELEASED FOR PRODUCTION
- 12 NOT DEFINED DURING PRELIMINARY STATUS
- 13 PBT GF
- 14 PBT GF, UL94-V0 & GWEP7 750 NO-FLAME, NATURAL

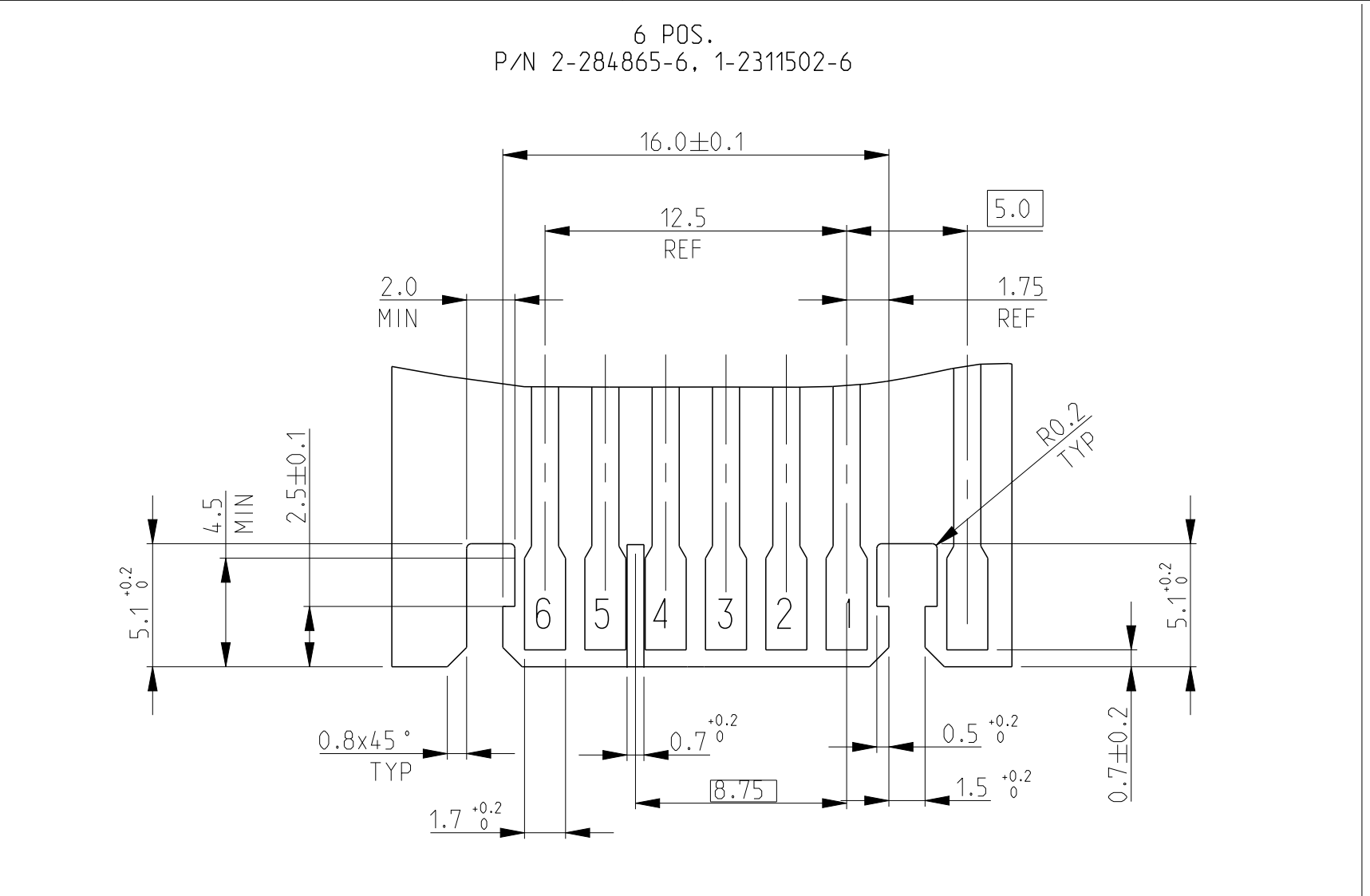
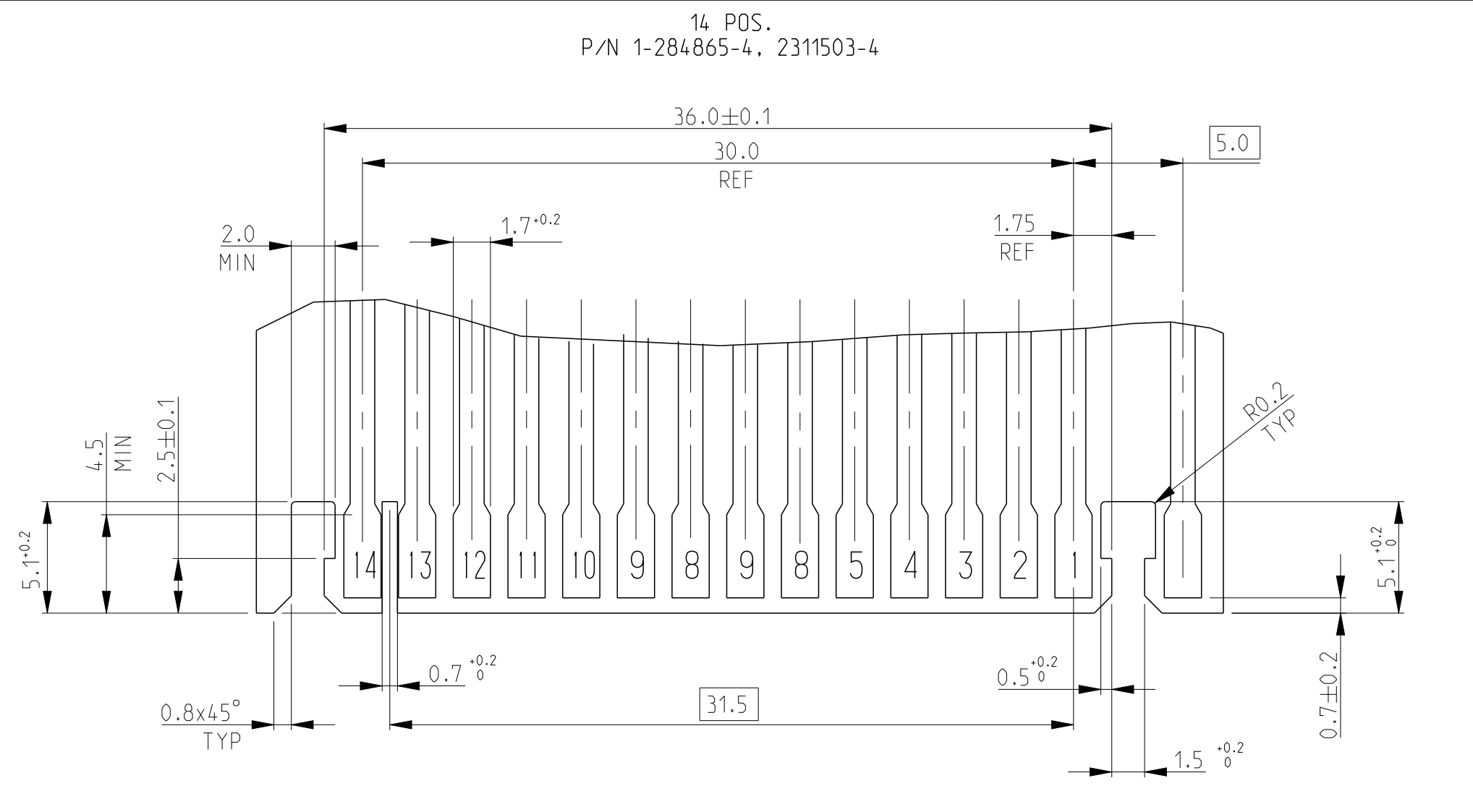
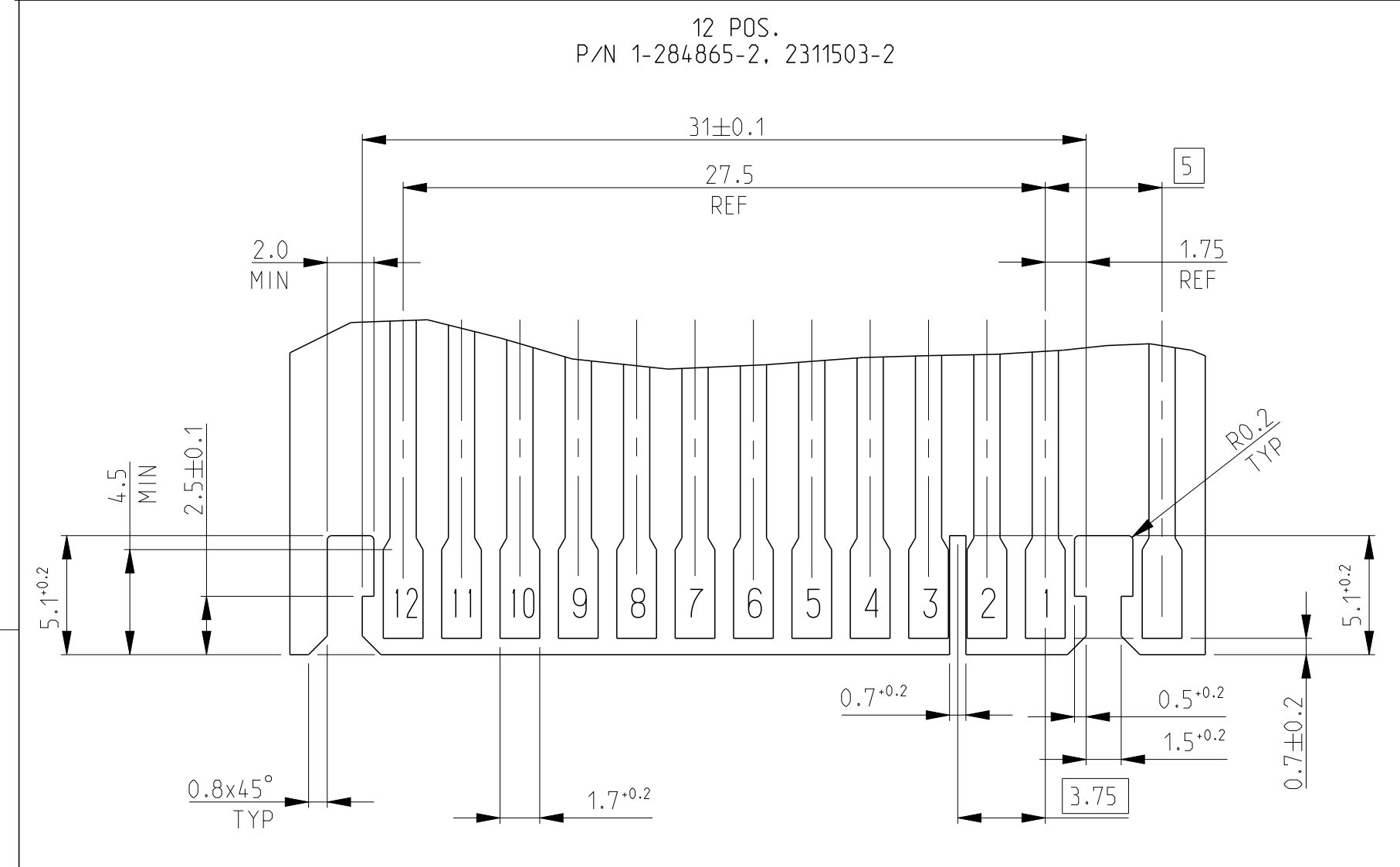
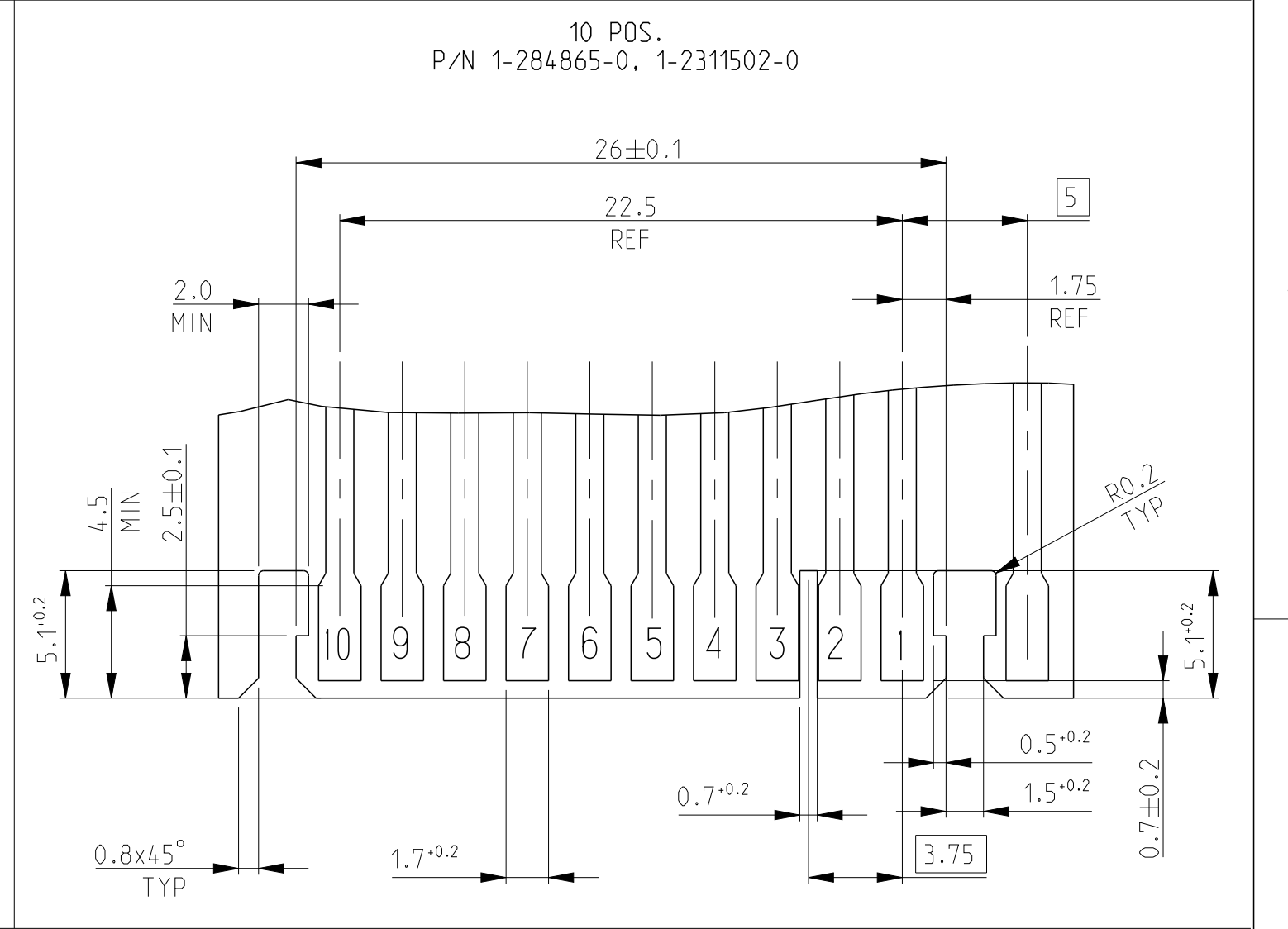
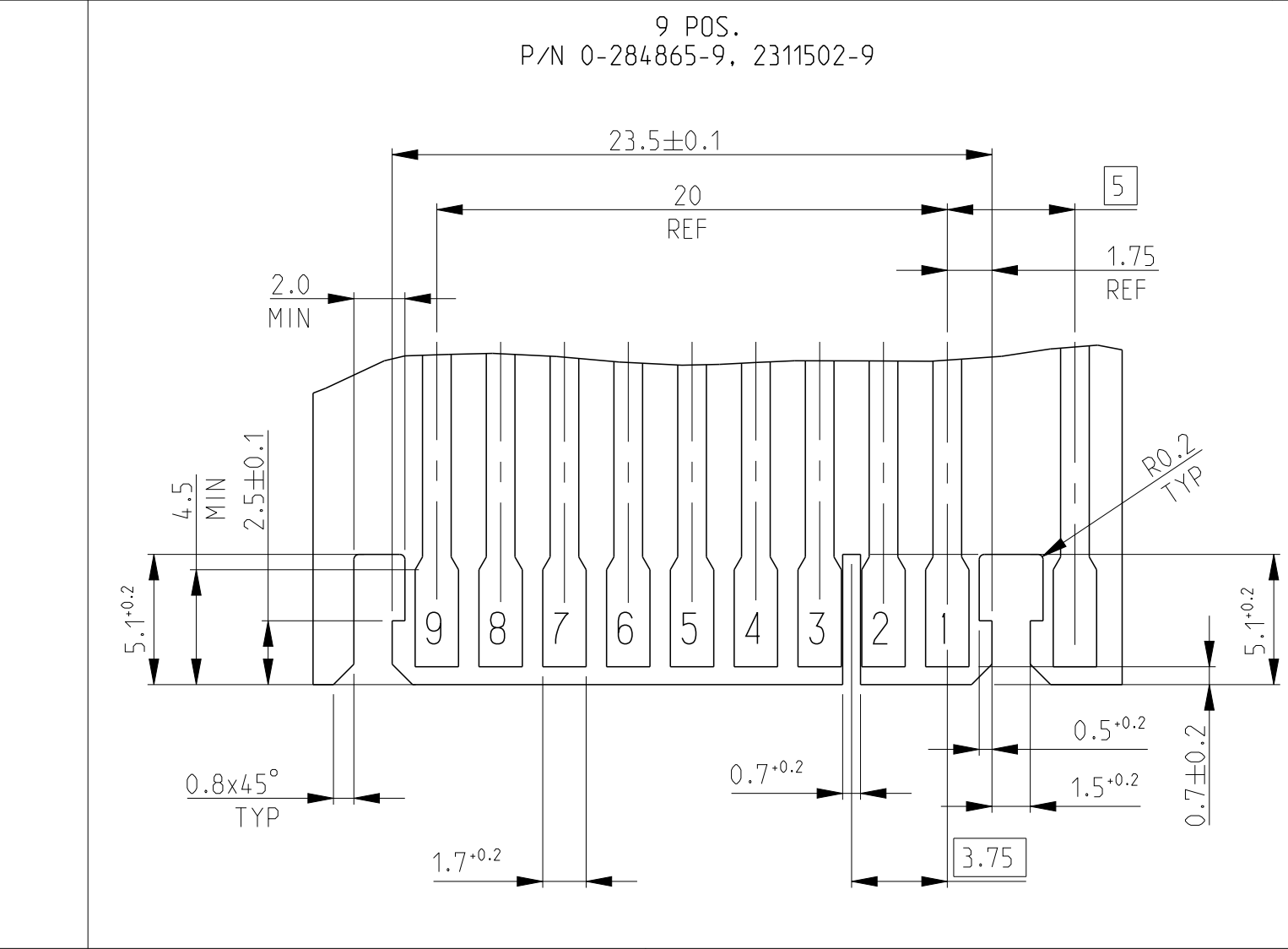
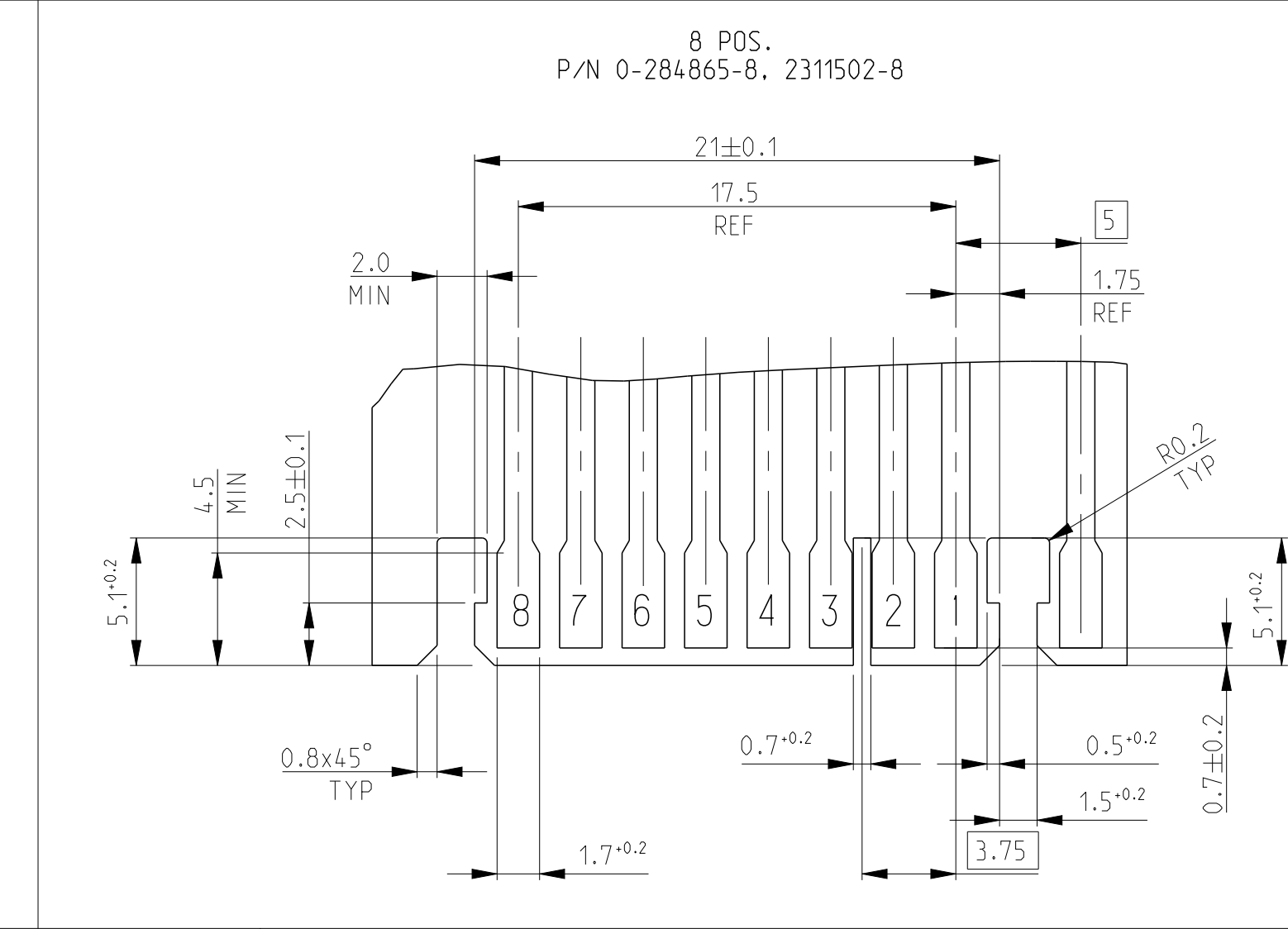
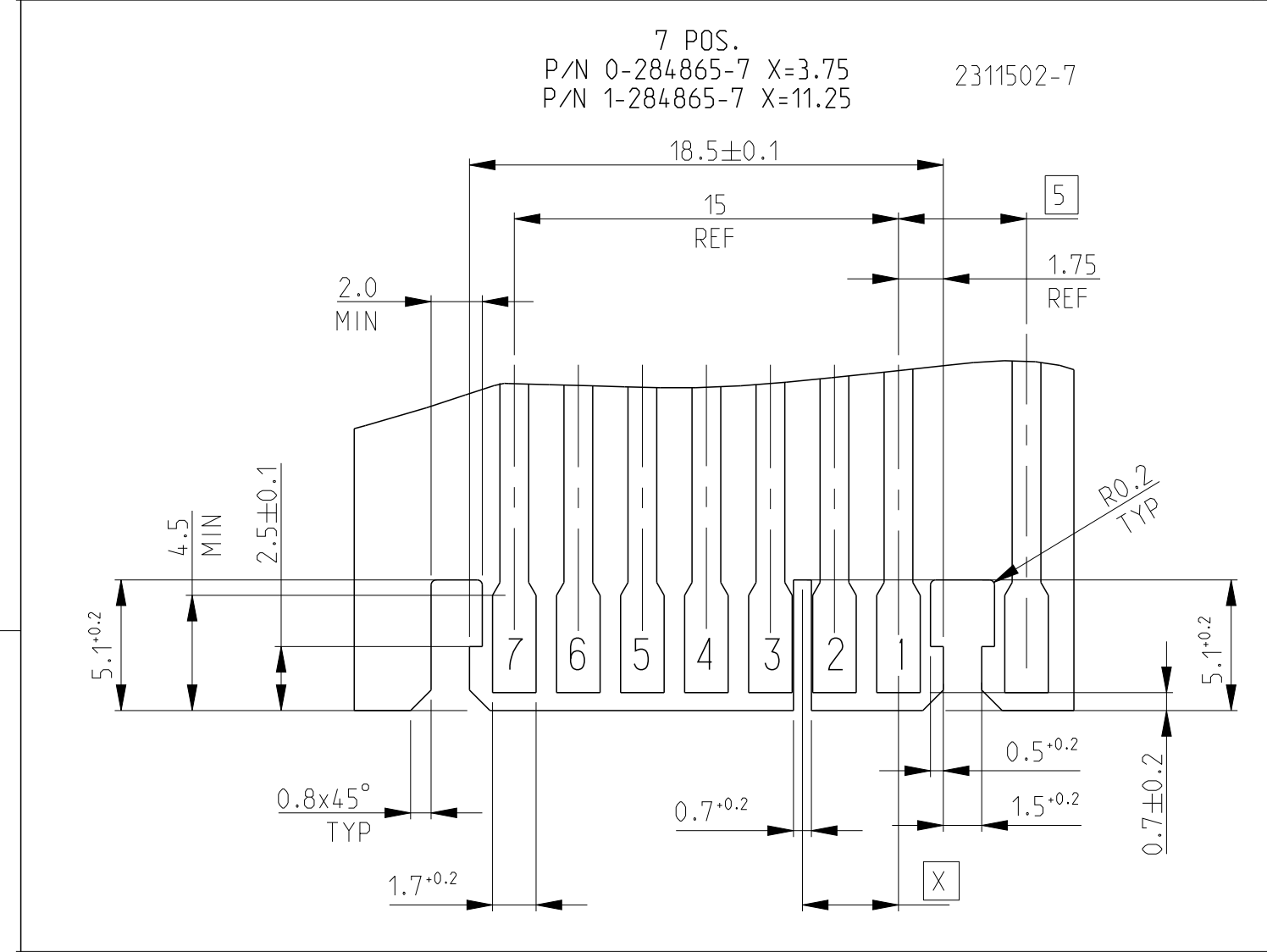
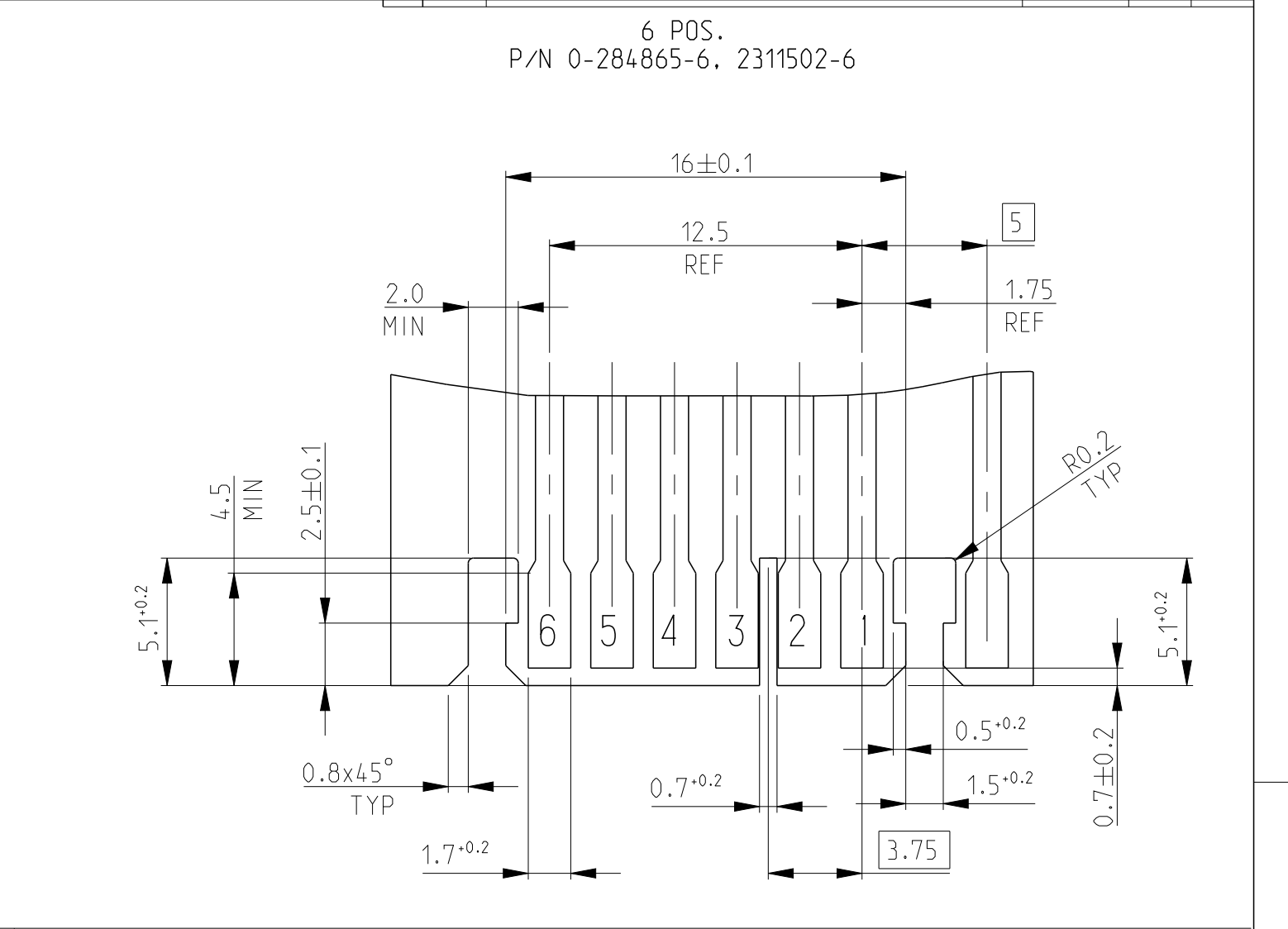
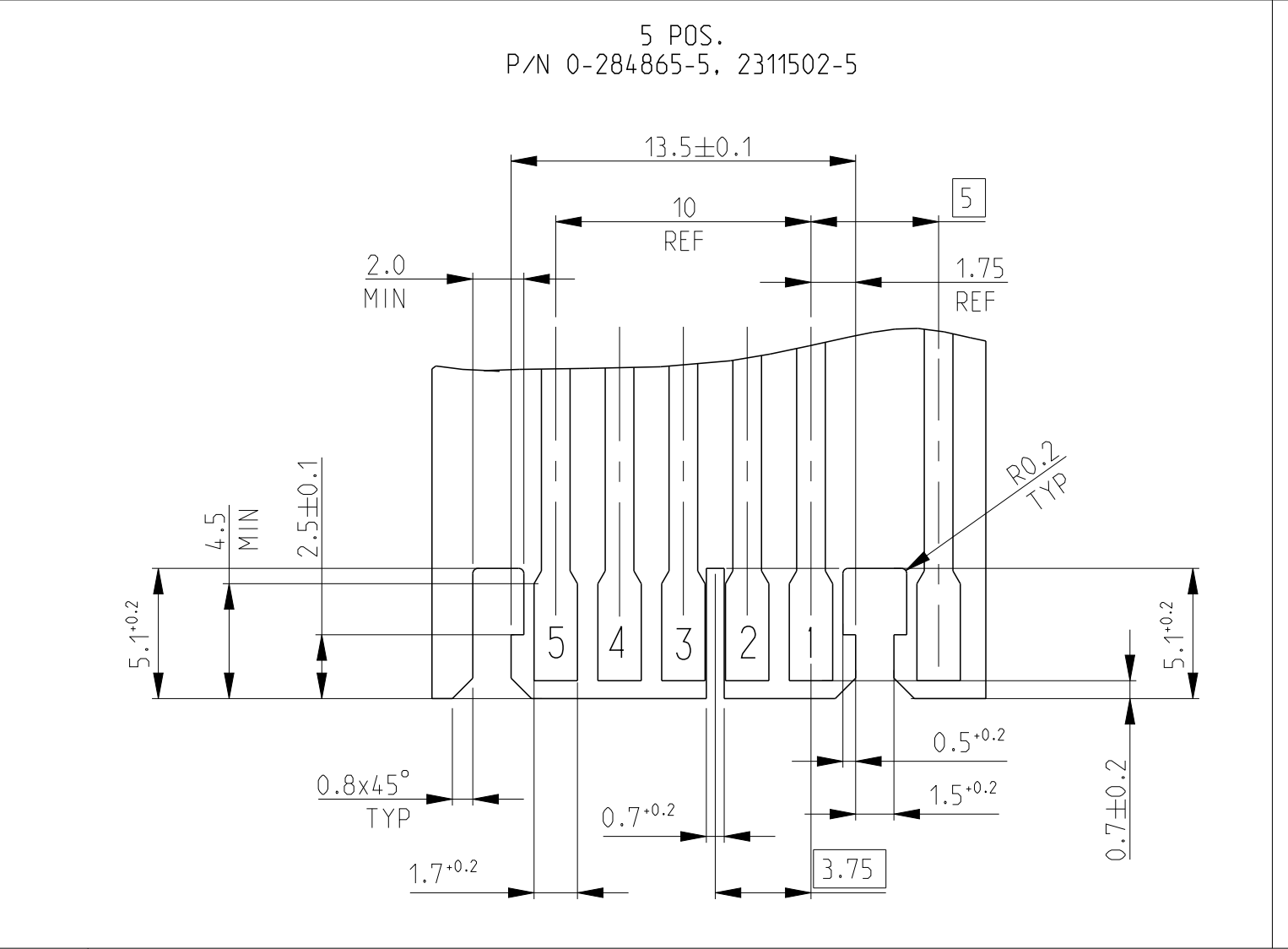
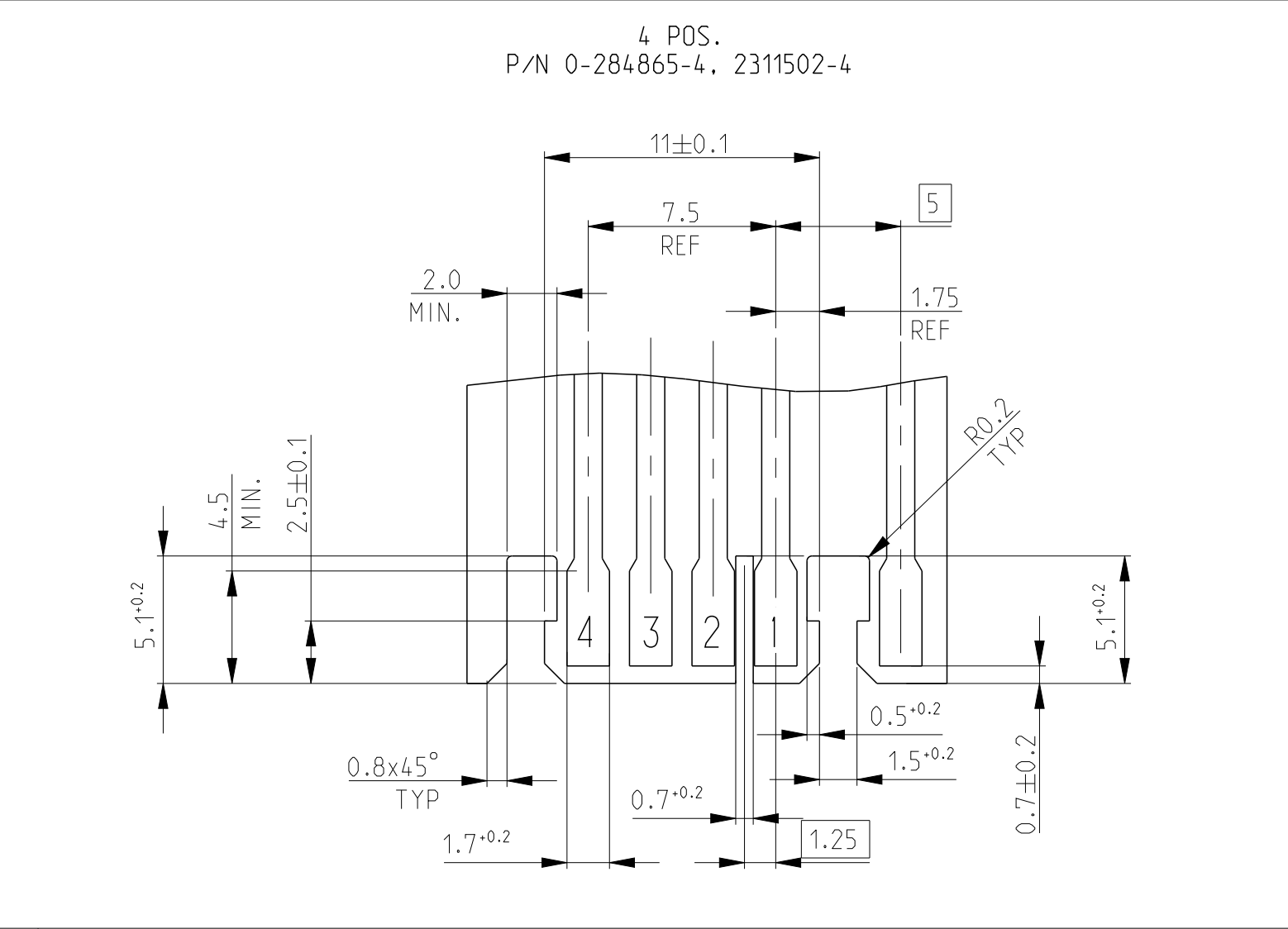
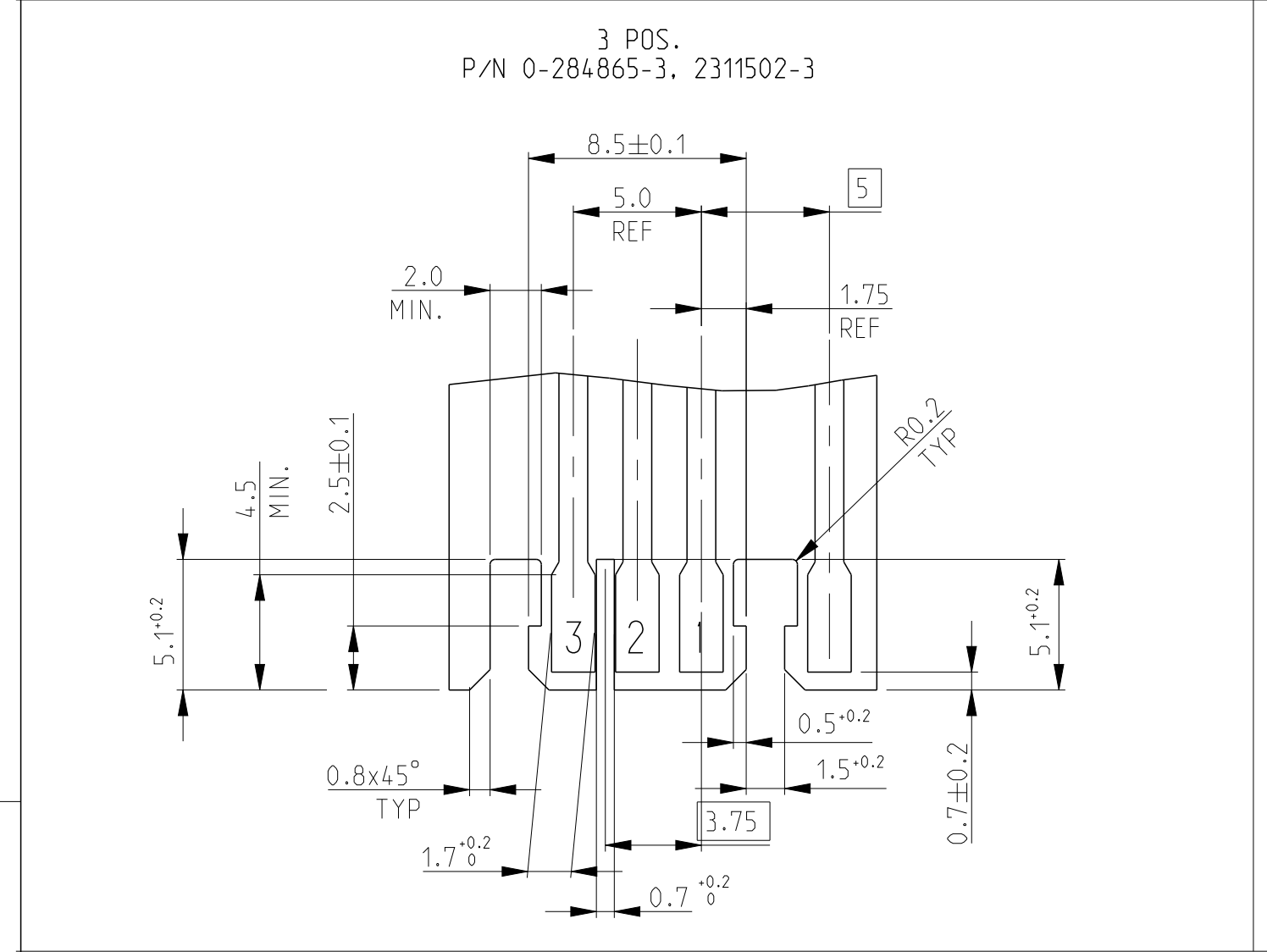
COLOUR CODE	POLARIZ. RIB POS.	HSG POS.	DIM.A	DIM.B	TE P/N	TE P/N
BLACK	13/14	14	32.5	37.4	1-284865-4	2311503-4
RED	11/12	12	27.5	32.4	2-284865-2	1-2311503-2
BLACK	2/3				1-284865-2	2311503-2
RED	9/10	10	22.5	27.4	2-284865-0	2-2311502-0
BLACK	2/3				1-284865-0	1-2311502-0
BLACK	2/3	9	20.0	24.9	0-284865-9	2311502-9
RED	3/4	8	17.5	22.4	2-284865-8	1-2311502-8
BLACK	2/3				0-284865-8	2311502-8
-	5/6	7	15.0	19.9	1-284865-7	1-2311502-7
BLACK	2/3				0-284865-7	2311502-7
-	3/4				5-284865-6	4-2311502-6
ORANGE	5/6				4-284865-6	3-2311502-6
OBSOLETE	BLUE	1/2	6	12.5	3-284865-6	-
RED	4/5				2-284865-6	1-2311502-6
BLACK	2/3				0-284865-6	2311502-6
GREY	1/2				3-284865-5	2-2311502-5
RED	3/4	5	10.0	14.9	2-284865-5	1-2311502-5
BLACK	2/3				0-284865-5	2311502-5
RED	3/4				3-284865-4	1-2311502-4
OBSOLETE	RED	N/A			2-284865-4	-
BLACK	1/2	4	7.5	12.4	0-284865-4	2311502-4
RED	1/2	3	5.0	9.9	2-284865-3	1-2311502-3
BLACK	2/3				0-284865-3	2311502-3

P/N 0-284865-4 AS SHOWN

-		-		THIS DRAWING IS A CONTROLLED DOCUMENT.		DMN R. FABRIS 03JUL2002		TE Connectivity	
SEE TABLE	PH. BRONZE, TIN PLATED	IDC RECEPTACLE CONTACT	2	DIMENSIONS: mm	TOLERANCES UNLESS OTHERWISE SPECIFIED:	APVD G. TURCO	NAME	DUOPLUG 2.5 FEMALE CONN., SIDE LOCKING KEYPED (FULLY LOADED)	
Q.TY	PBT GLASS FIBER FILLED	FEMALE HOUSING	1	0 PLC ±0.2	1 PLC ±0.1	PRODUCT SPEC	108-20238	SIZE	A1
1	MATERIAL	DESCRIPTION	ITEM	2 PLC ±0.1	3 PLC ±0.1	APPLICATION SPEC	116-18049-1	CAGE CODE	00779
REVISIONI DELL'ASSEMBLATO (REVISION OF EACH ASSY NO)		ELENCO DEI COMPONENTI (PARTS LIST)		MATERIAL SEE TABLE	FINISH SEE TABLE	WEIGHT	Customer Drawing	SCALE	10:1
0.141 PER ASSEMBLATO (BY REV. REV. ASSY)								SHEET	1 OF 4

PCB LAYOUT -Soldering side-  
 (SCALE 4:1)

LOC		DIST		REVISIONS			
P	LTN	DESCRIPTION	DATE	OWN	APVD		
-	-	SEE SHEET 1	-	-	-		



THIS DRAWING IS A CONTROLLED DOCUMENT. OWN R. FABRIS 03JUL2002  
 DIMENSIONS: mm  
 TOLERANCES UNLESS OTHERWISE SPECIFIED:  
 0 PLC # # # # #  
 1 PLC # # # # #  
 2 PLC # # # # #  
 3 PLC # # # # #  
 4 PLC # # # # #  
 ANGLES # # # # #  
 MATERIAL SEE TABLE  
 FINISH SEE TABLE

Customer Drawing

APVD E. TURCO  
 PRODUCT SPEC  
 108-20238  
 APPLICATION SPEC  
 116-18049-1  
 WEIGHT -

NAME  
 DUOPLUG 2.5 FEMALE CONN.,  
 SIDE LOCKING  
 KEYED (FULLY LOADED)

SIZE CAGE CODE DRAWING NO RESTRICTED TO  
 A1 00779 C=284865 -

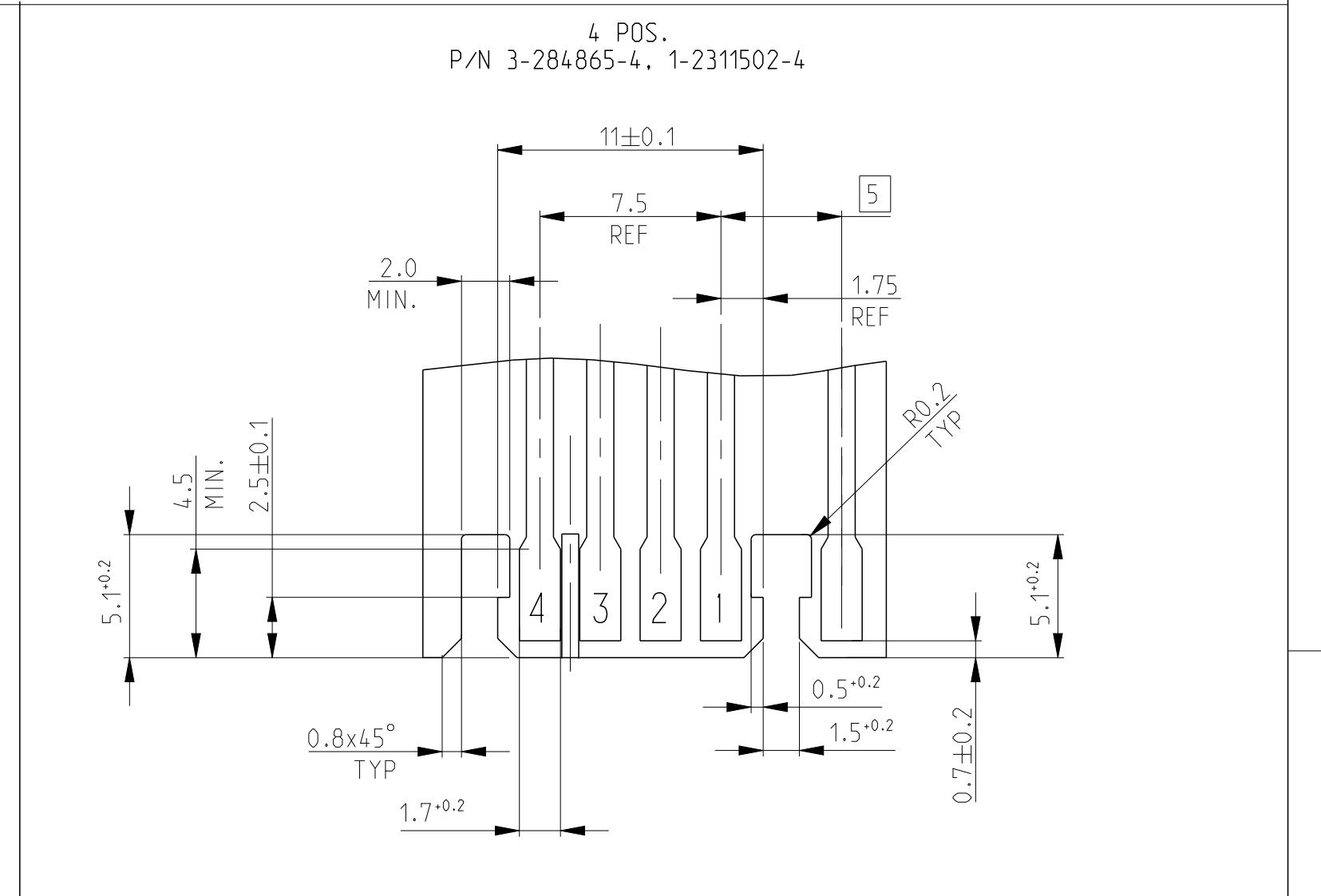
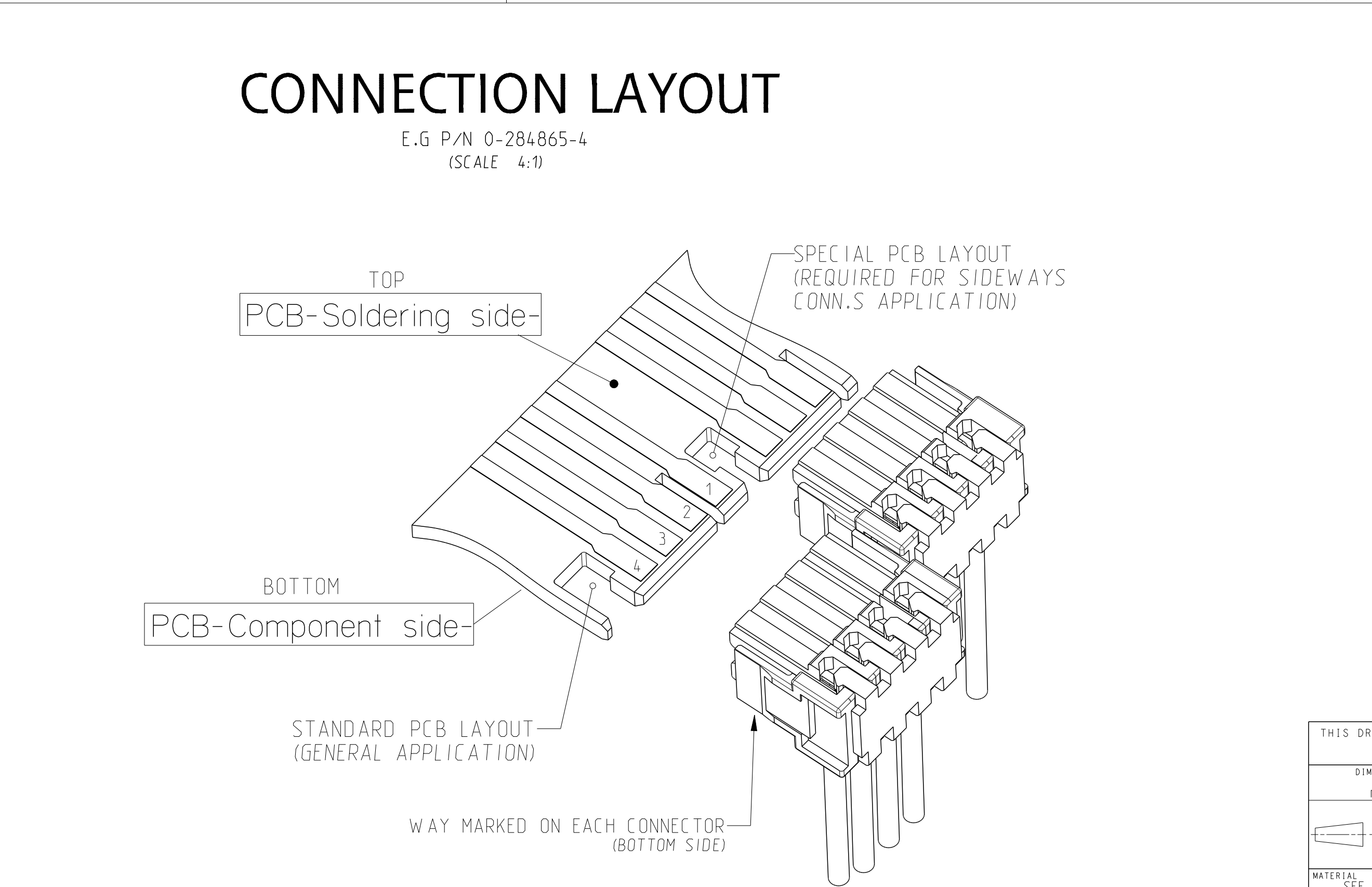
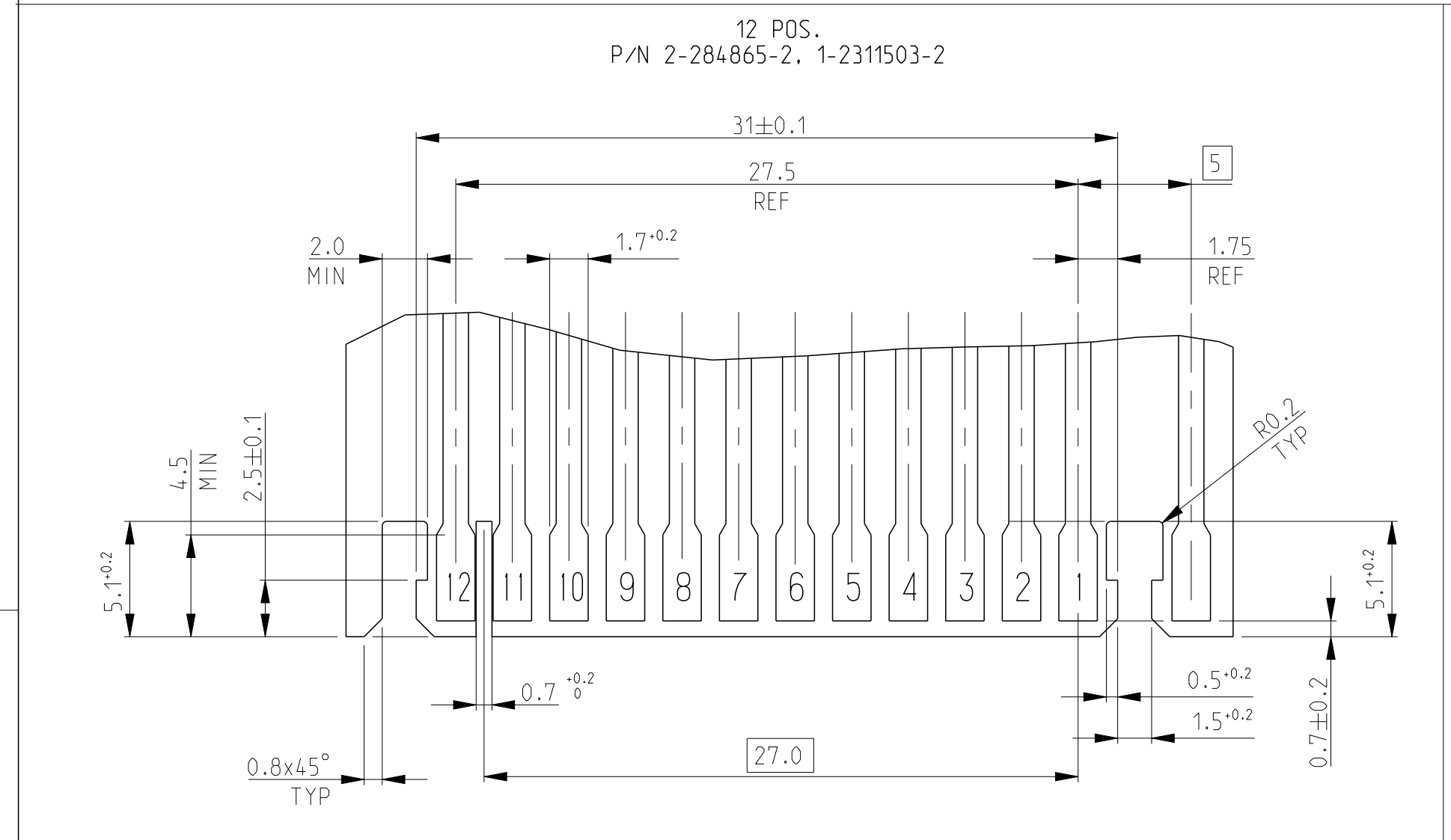
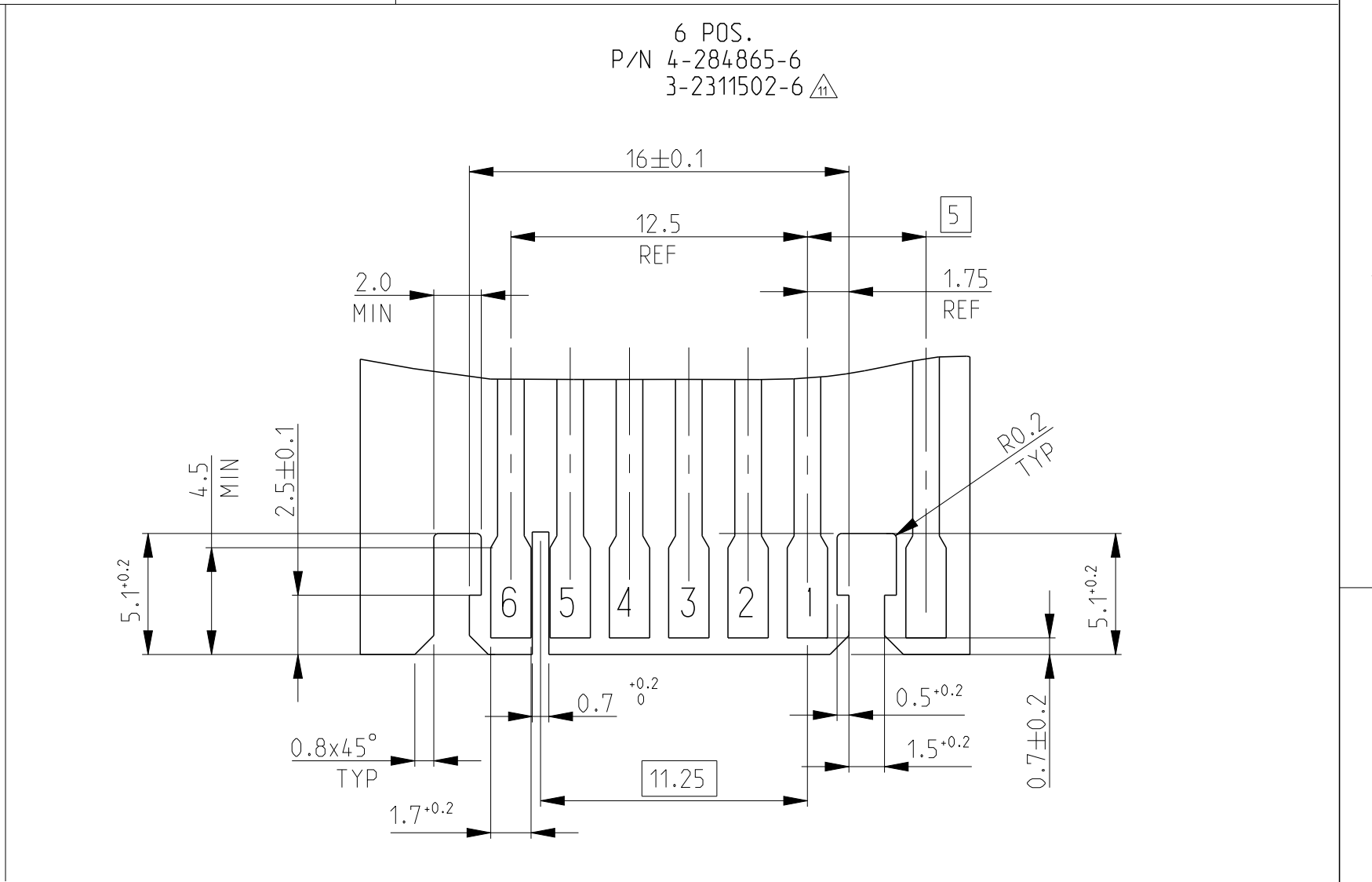
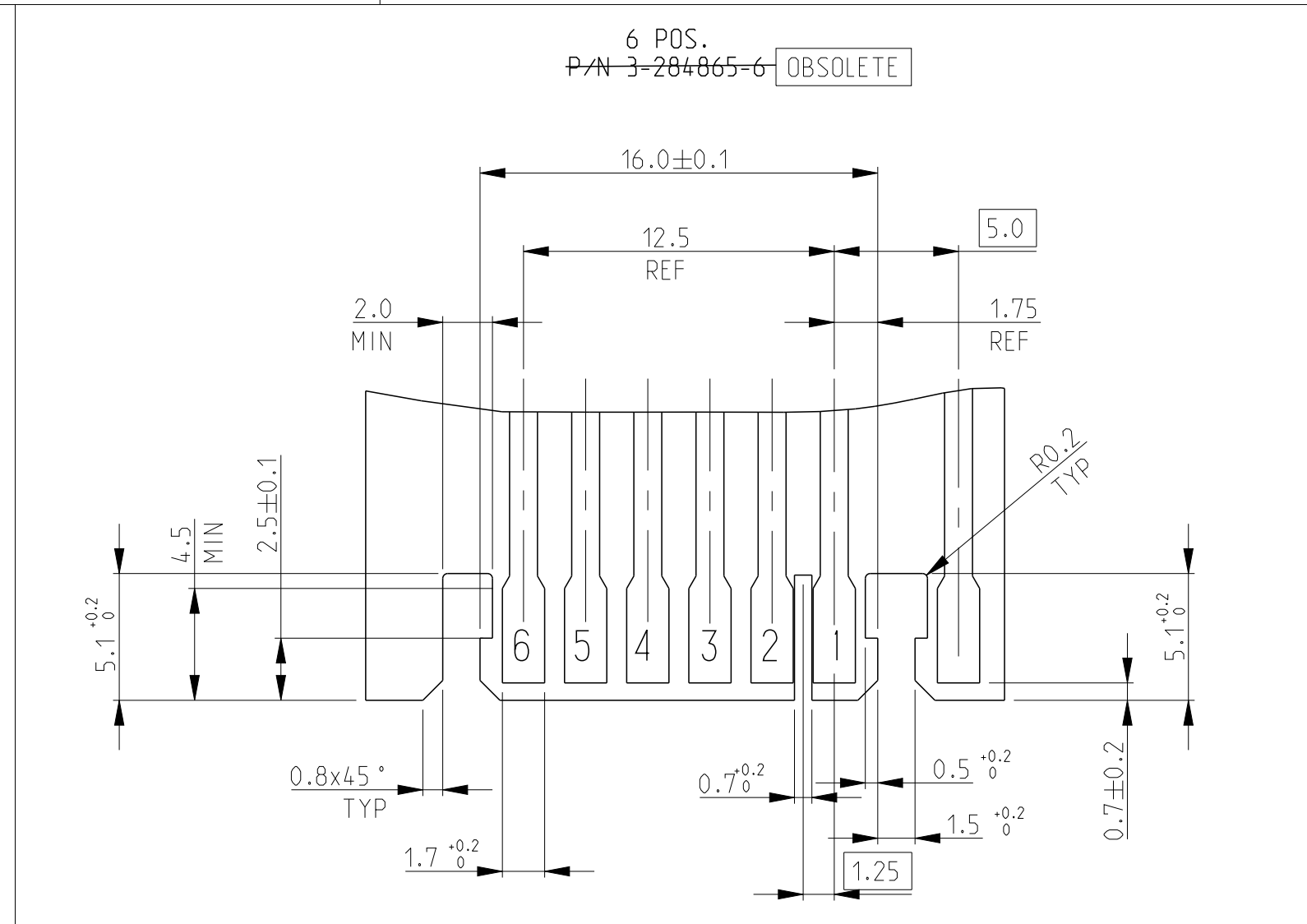
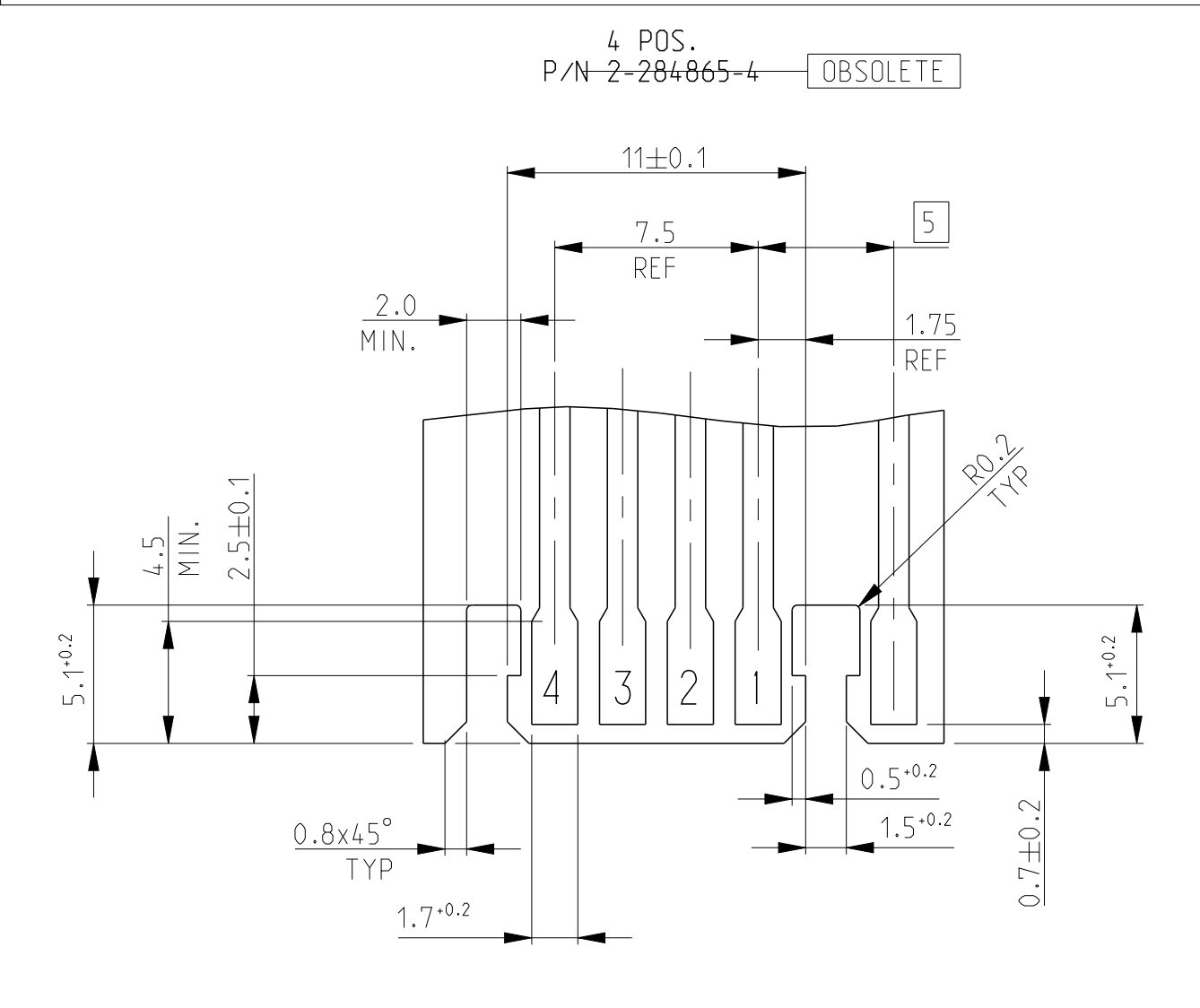
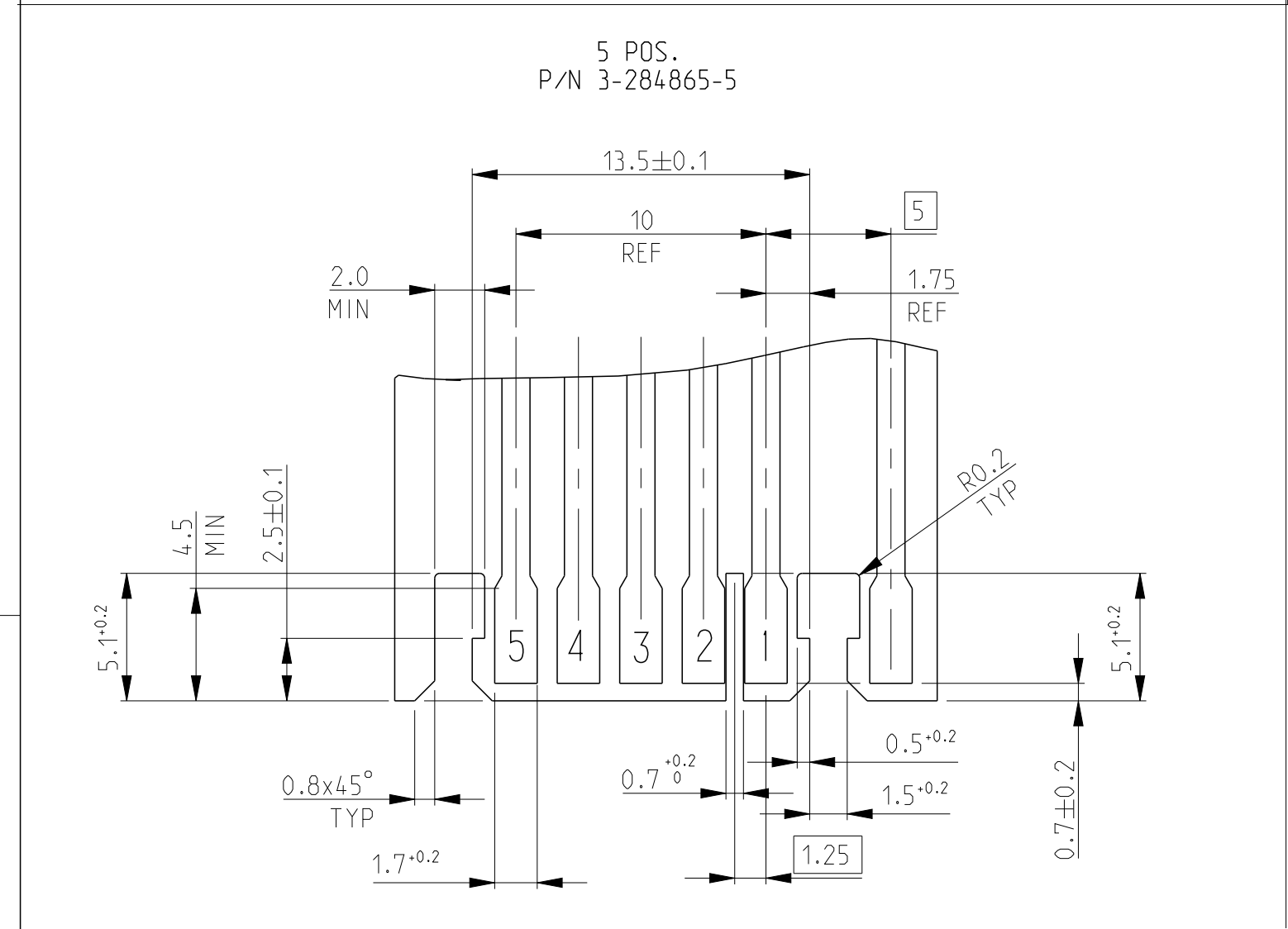
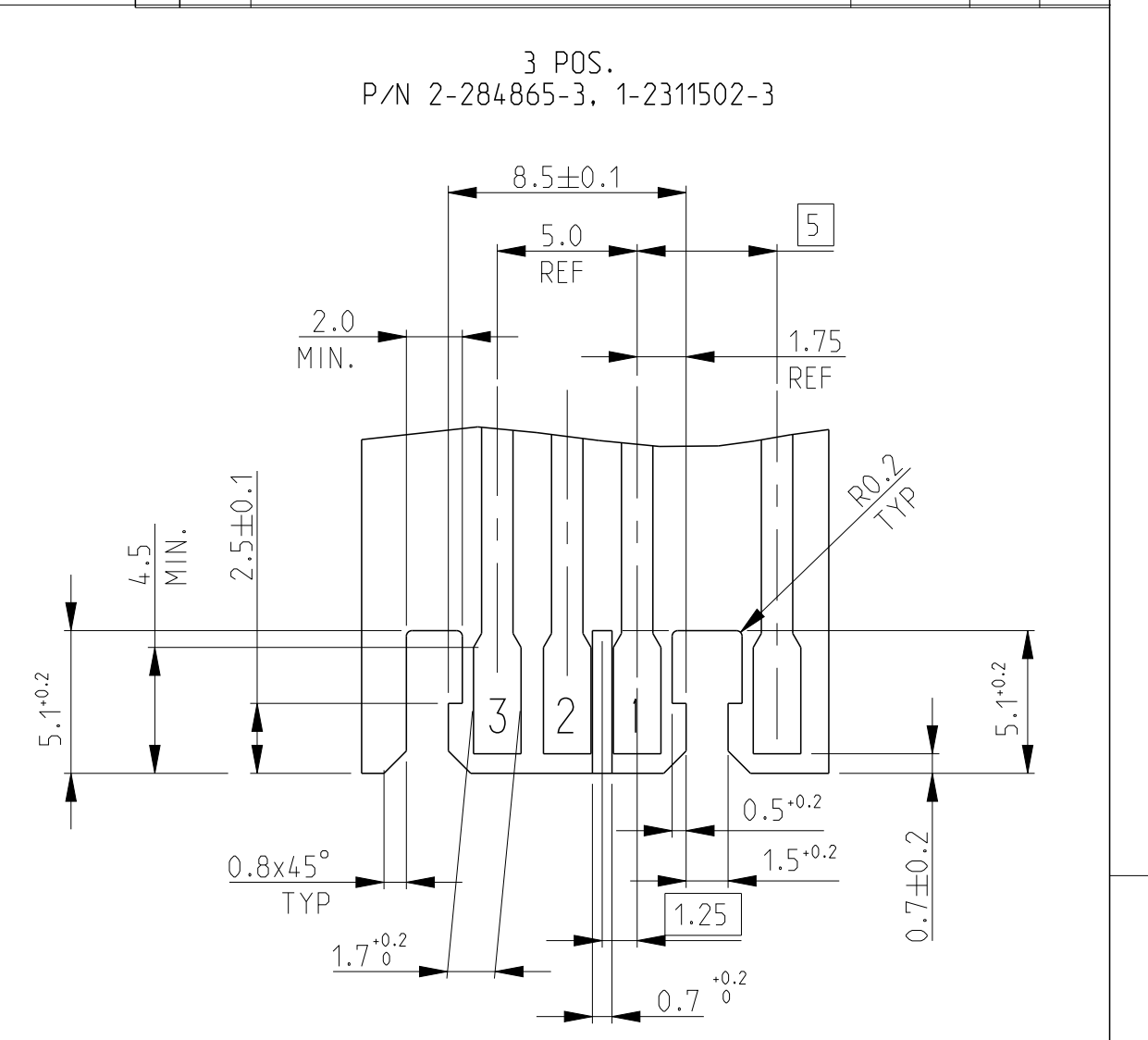
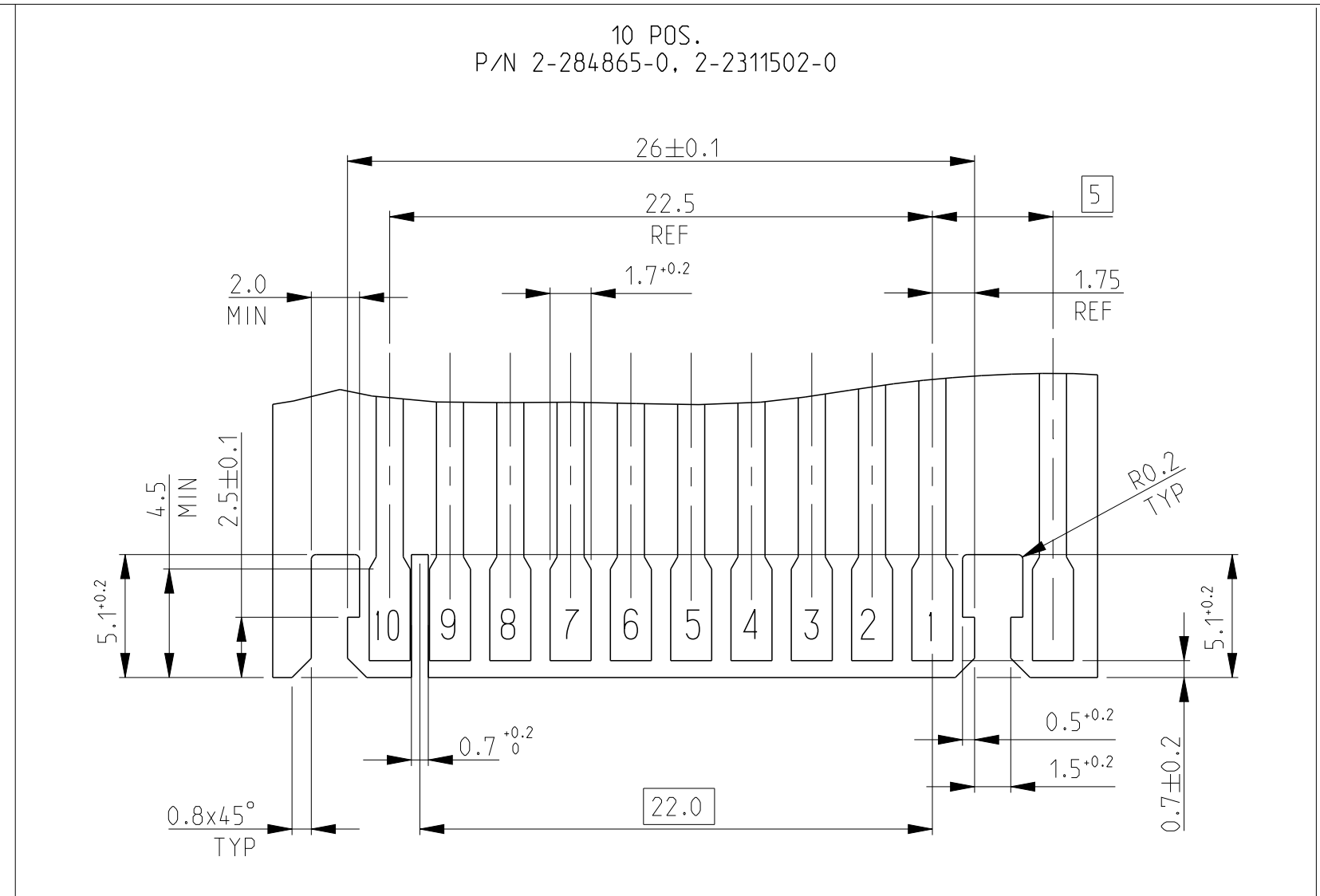
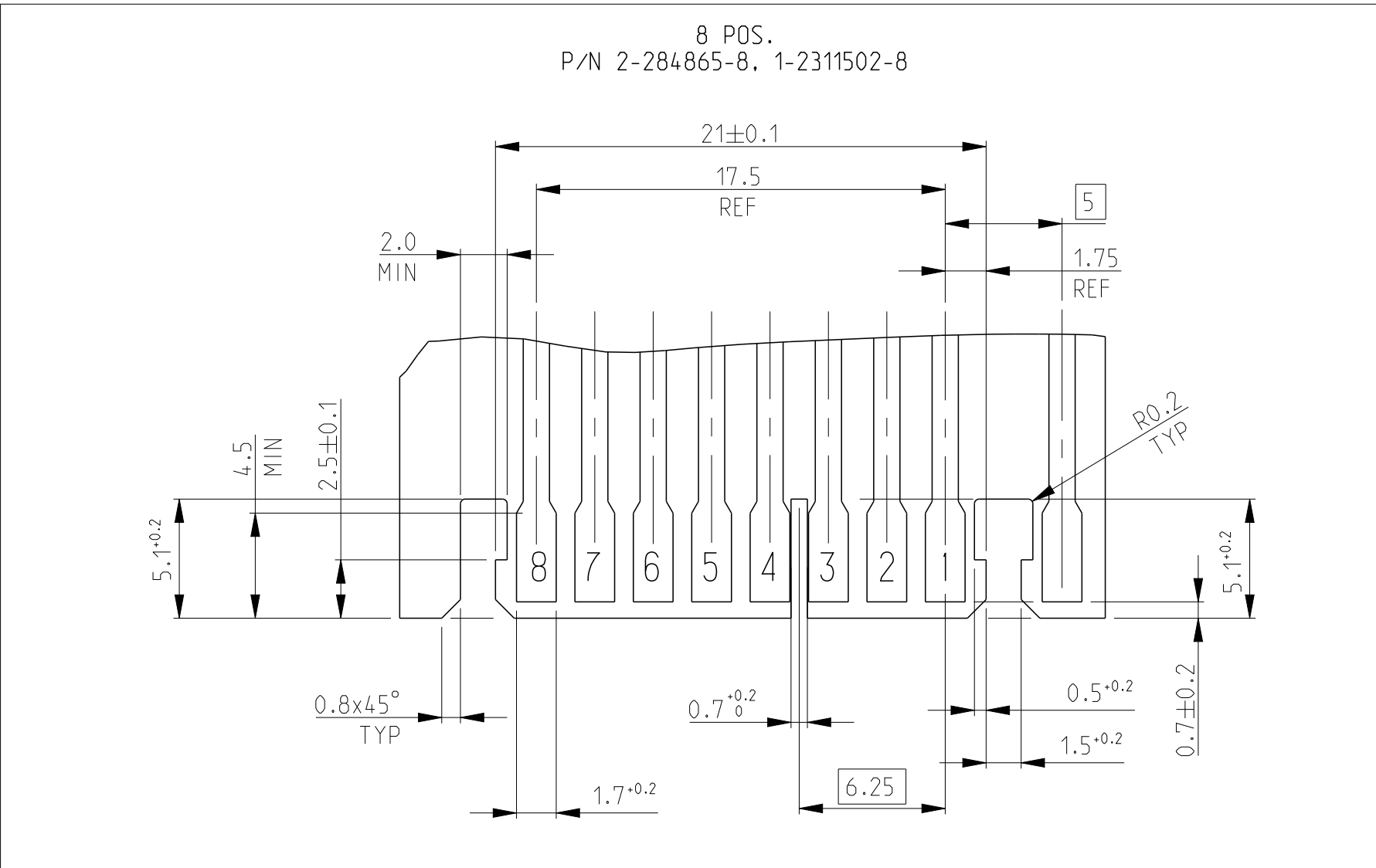
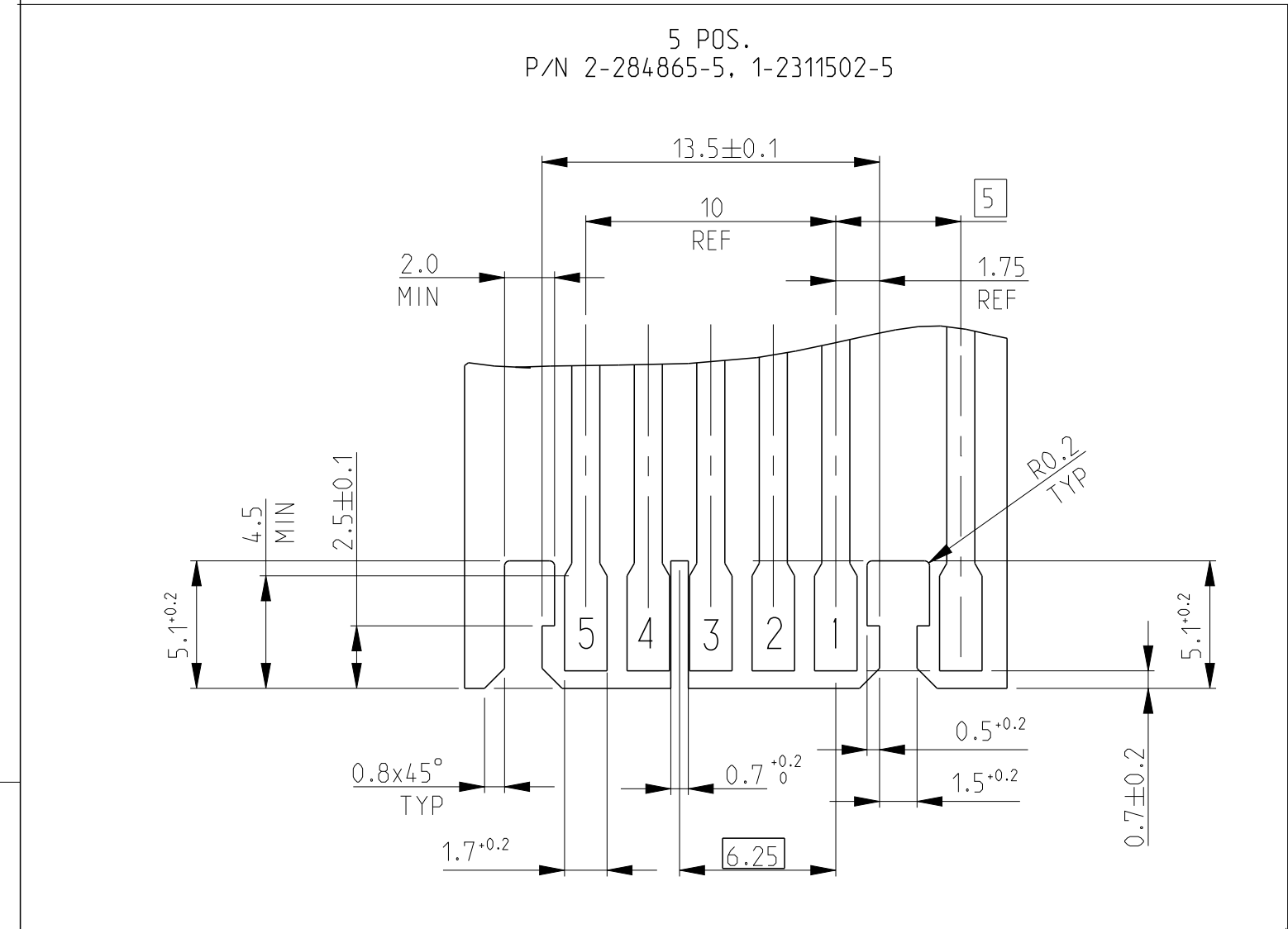
SCALE 10:1 SHEET 2 OF 4 REV B

STE TE Connectivity

LOC	DIST	REVISIONS			
P	LTM	DESCRIPTION	DATE	OWN	APVD
-	-	SEE SHEET 1	-	-	-

### PCB LAYOUT -Soldering side-

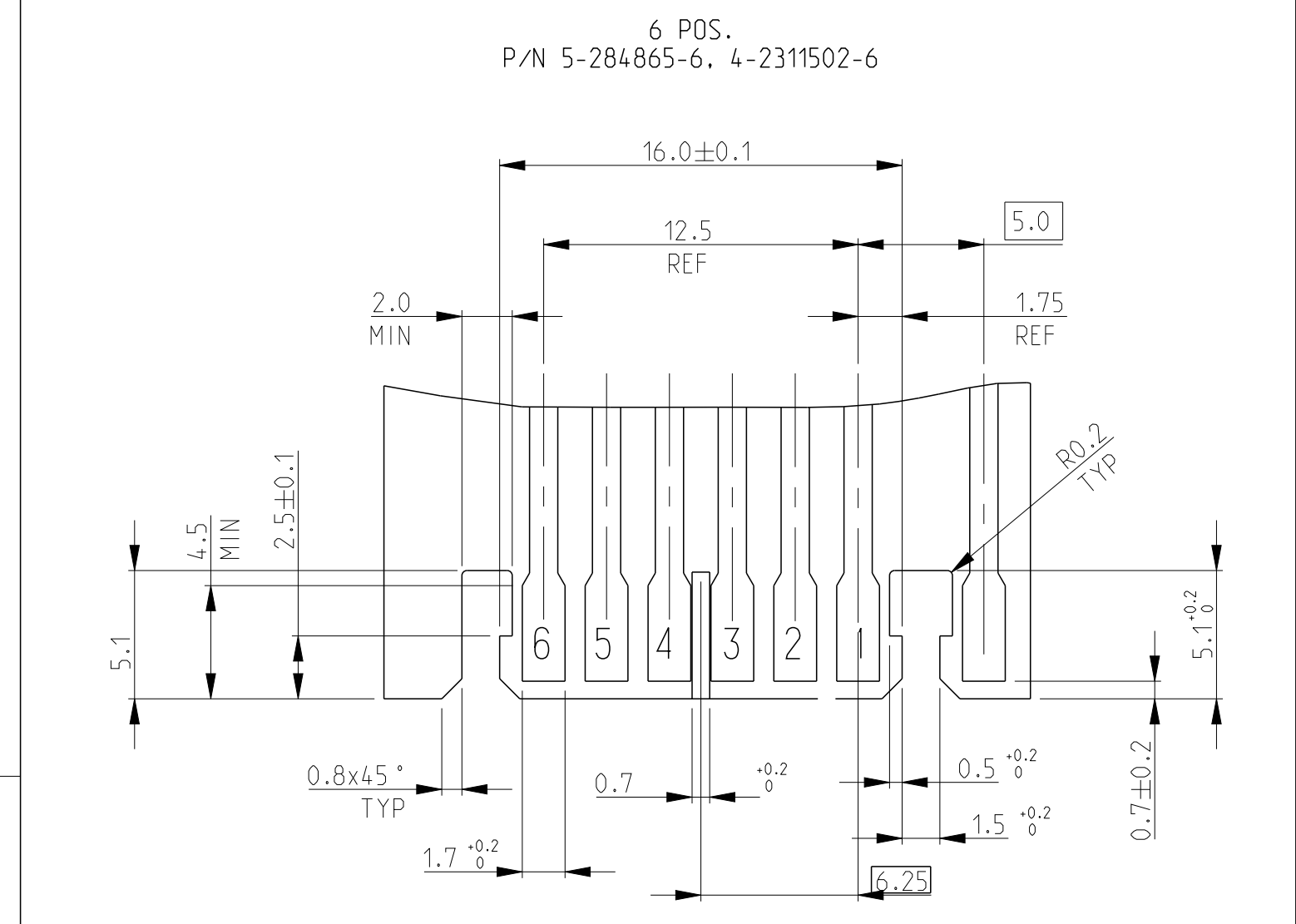
(SCALE 4:1)




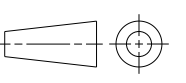
THIS DRAWING IS A CONTROLLED DOCUMENT.		OWN R. FABRIS 03JUL2002	TE Connectivity
DIMENSIONS: mm		CHK -	
TOLERANCES UNLESS OTHERWISE SPECIFIED:		APVD E. TURCO	NAME DUOPLUG 2.5 FEMALE CONN., SIDE LOCKING KEYPED (FULLY LOADED)
0 PLC # # # #		PRODUCT SPEC	108-20238
1 PLC # # # #		APPLICATION SPEC	116-18049-1
2 PLC # # # #		FINISH	116-18049-1
3 PLC # # # #		WEIGHT	A1 00779 ©=284865
4 PLC # # # #		Customer Drawing	SCALE 10:1 SHEET 3 OF 4 REV B

## PCB LAYOUT -Soldering side-

(SCALE 4:1)



LOC	DIST	REVISIONS					
		P	LTH	DESCRIPTION	DATE	DNW	APVD
		-		SEE SHEET 1	-	-	-

THIS DRAWING IS A CONTROLLED DOCUMENT.		DNW R. FABRIS 03JUL2002	 TE Connectivity
DIMENSIONS: mm		CHK -	
	TOLERANCES UNLESS OTHERWISE SPECIFIED:	APVD G. TURCO	NAME DUOPLUG 2.5 FEMALE CONN., SIDE LOCKING KEYED (FULLY LOADED)
	0 PLC ±	PRODUCT SPEC 108-20238	
	1 PLC ±	APPLICATION SPEC	
	2 PLC ±	SIZE 116-18049-1	
MATERIAL SEE TABLE		WEIGHT -	RESTRICTED TO
FINISH SEE TABLE		Customer Drawing	A1 00779 ©=284865
		SCALE 10:1	SHEET 4 OF 4 REV B

## X-ON Electronics

Largest Supplier of Electrical and Electronic Components

*Click to view similar products for [Headers & Wire Housings](#) category:*

*Click to view products by [TE Connectivity](#) manufacturer:*

Other Similar products are found below :

[892-18-020-10-001101](#) [58102-G61-06LF](#) [582553-1](#) [0009485154](#) [009176003701906](#) [0050291907](#) [LY20-4P-DT1-P1E-BR](#) [02.125.8002.8](#)  
[609-3404](#) [61062-3](#) [61082-181009](#) [622-3653LF](#) [63453-116](#) [636-1030](#) [636-1427](#) [636-3427](#) [636-4007](#) [641938-9](#) [641991-4](#) [644827-2](#) [65817-](#)  
[010LF](#) [65817-015LF](#) [65863-015LF](#) [66207-023LF](#) [67095-007LF](#) [67601157](#) [68645-018](#) [68648-049](#) [70.362.1628.0](#) [70-4210](#) [70-4226B](#) [70-](#)  
[4853B](#) [707-5020](#) [707-5028](#) [71.350.2428.0](#) [71918-208LF](#) [71961-016LF](#) [733-134](#) [733-162](#) [754199-000](#) [760-3052](#) [787-8014-00](#) [79531-3000](#)  
[FCN-360C032-B](#) [FCN-367T-T012/H](#) [FCN-723D010/2](#) [80.063.4001.1](#) [800-90-001-10-001000](#) [800-90-010-10-002000](#) [801-43-002-10-013000](#)