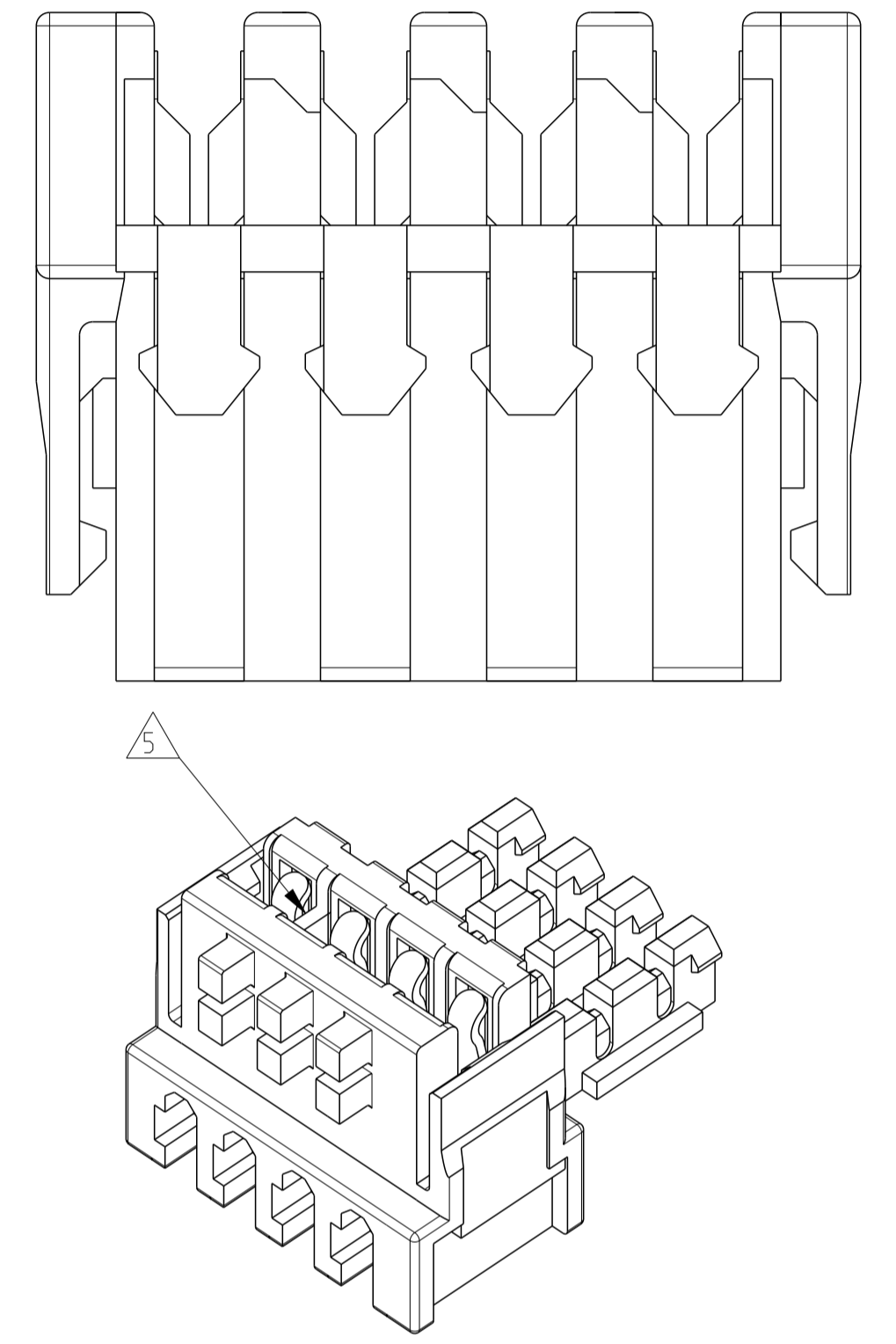
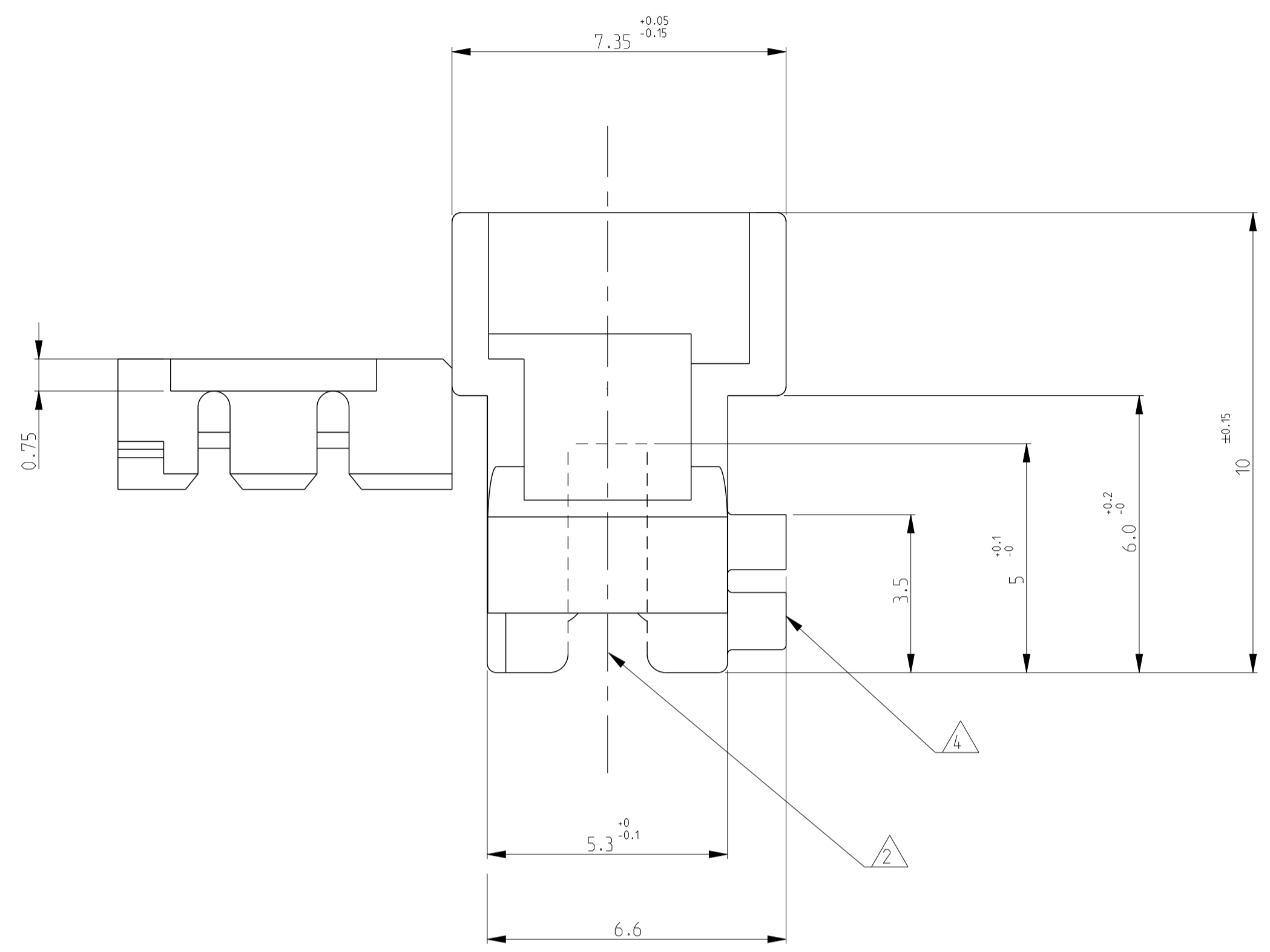
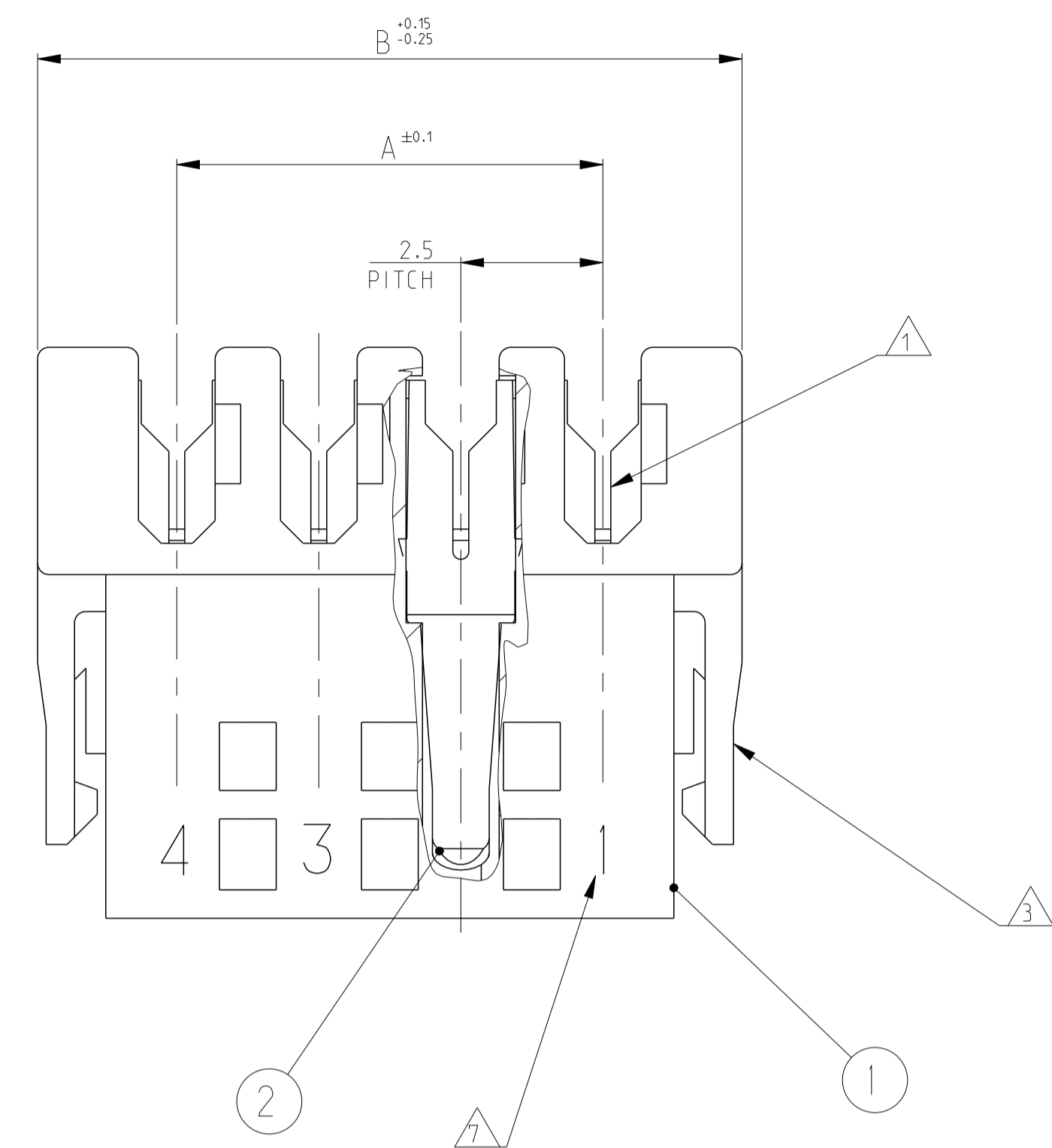
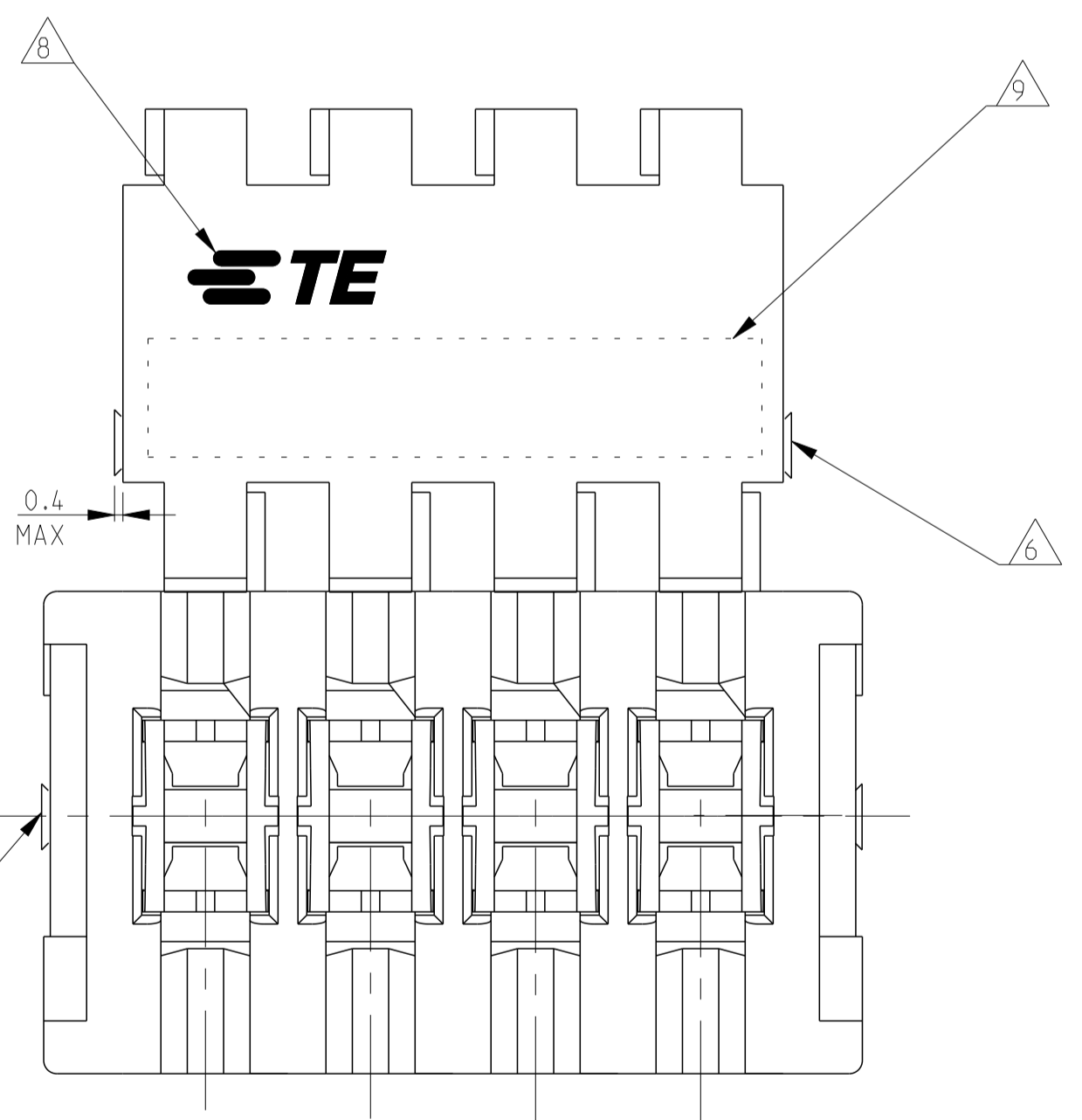


LOC		DIST		REVISIONS			
P	LTN	DESCRIPTION	DATE	DMN	APVD		
A22	ECR-19-004458		26MAR2019	LZ	FL		
A23	ECR-19-005718		15APR2019	LZ	FL		
B	ECR-19-015553		31OC12019	SM	FL		



SCALE 5:1



- 1 WIRE RANGE : STRANDED 0.22-0.35 mm² (INS. DIA. 1.30±0.1)
- 2 MATING PART: P.C.B. EDGE, DOUBLE SIDE, THK 1.5 (COPPER CLADDING INCLUDED)
- 3 SIDE LOCKING DEVICE
- 4 KEYING RIBS TO BE REMOVED BY TERMINATION MACHINE
- 5 POLARIZATION RIBS BETWEEN CAVITIES
- 6 CUT OFF DIMENSION DUE TO PRODUCTION PROCESS
- 7 CIRCUIT No. IDENTIFICATION
- 8 TE TRADEMARK (OPTIONAL POSITION)
- 9 TAMPOGRAPHIC COLOUR CODE AREA (P/Ns IDENTIFICATION BEFORE CRIMPING AREA)
- 10 FOR PCB LAYOUT, SEE PAGES 2-3 FOR CONNECTION VIEW LAYOUT, SEE PAGE 3
- 11 NOT YET RELEASED FOR PRODUCTION
- 12 NOT DEFINED DURING PRELIMINARY STATUS
- 13 PBT GF
- 14 PBT GF, UL94-V0 & GWEP7 750 NO-FLAME, NATURAL

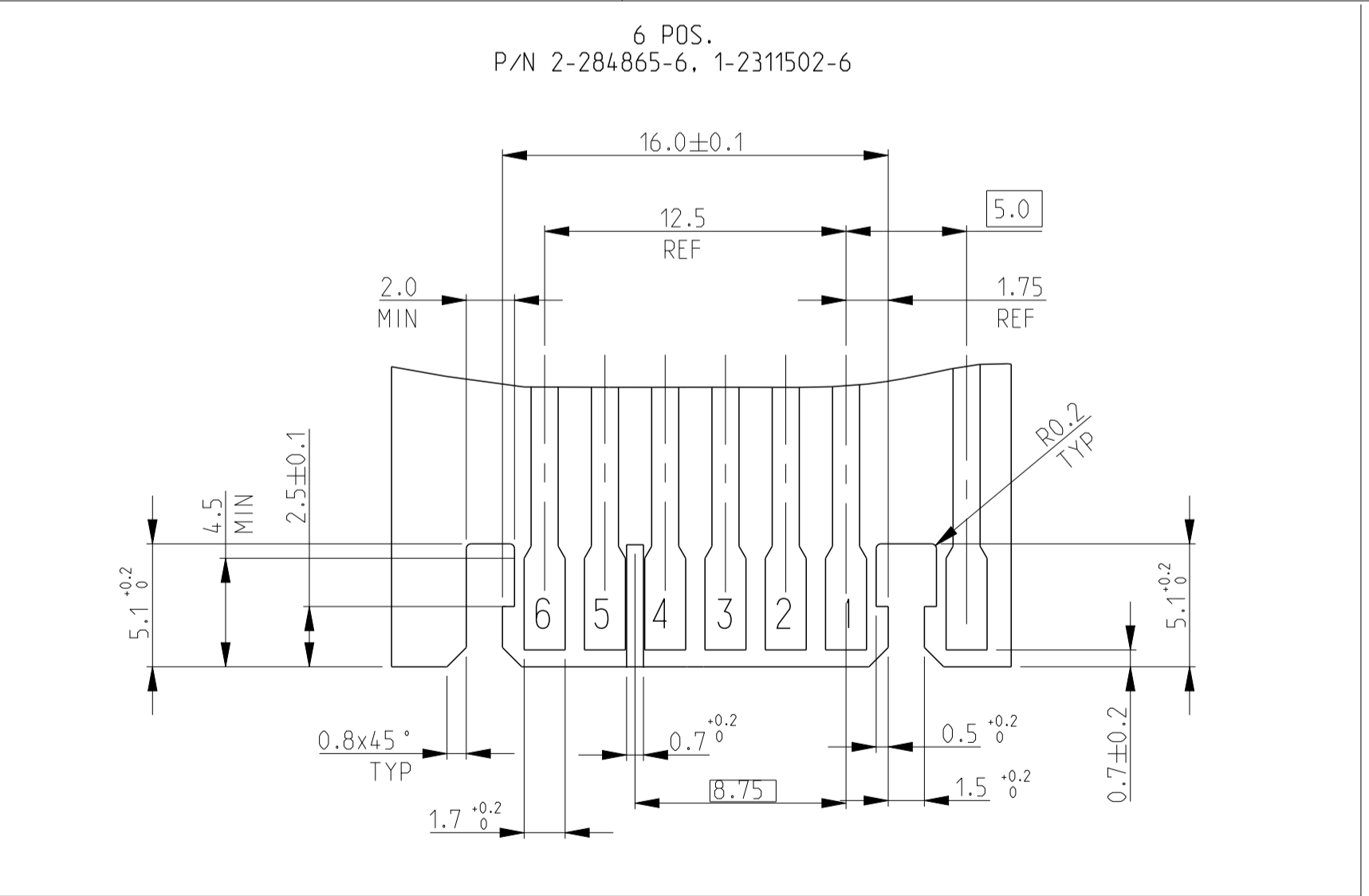
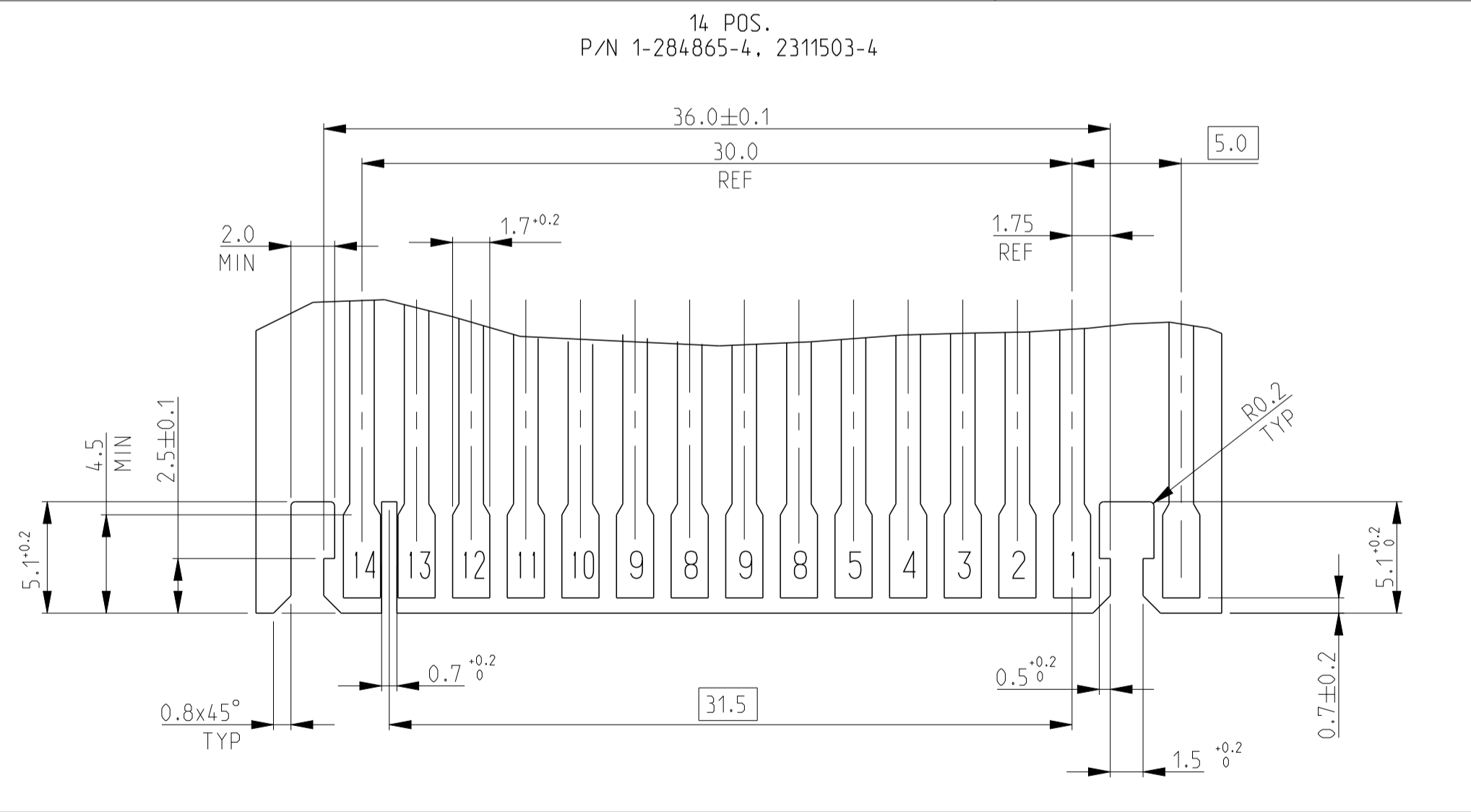
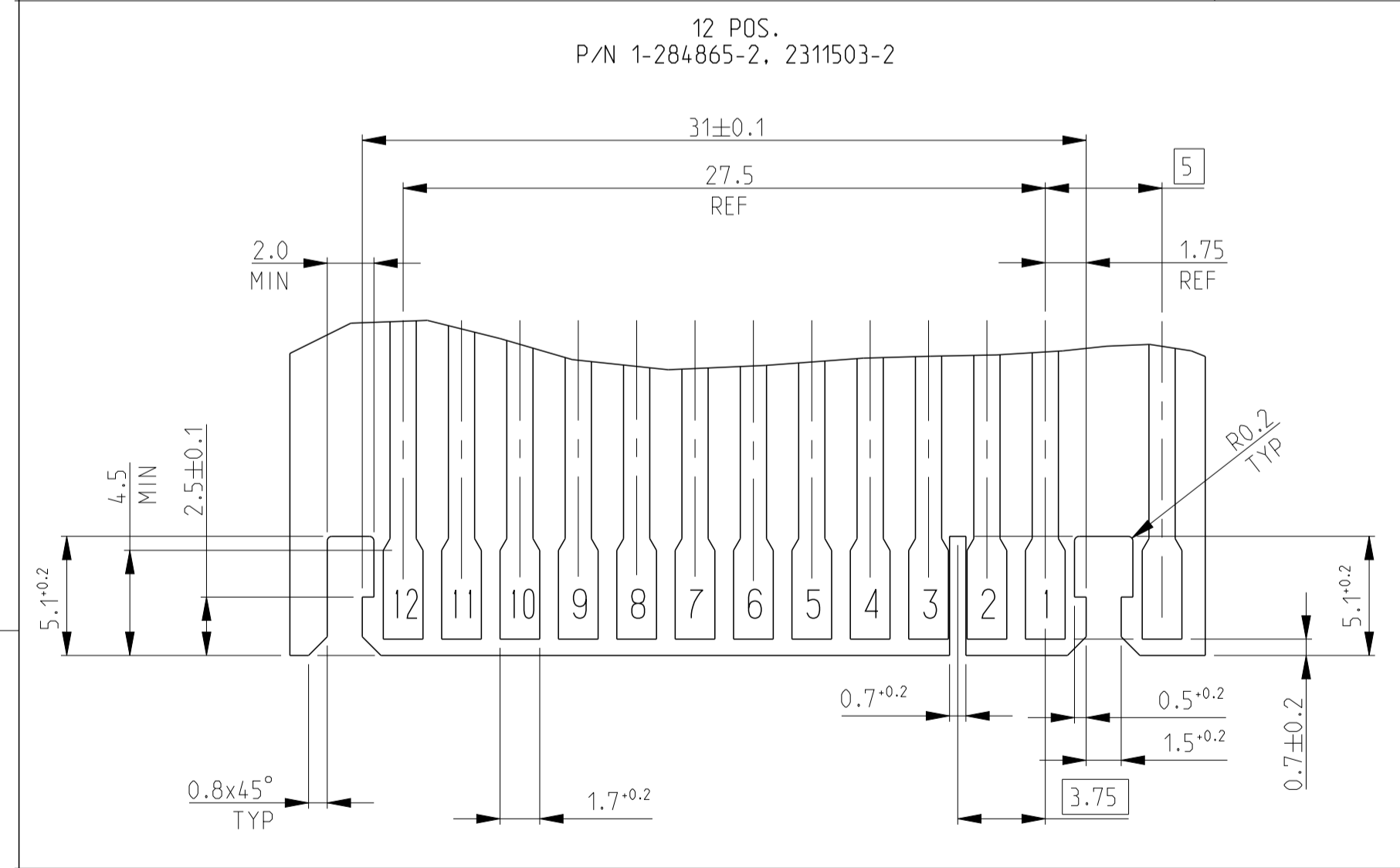
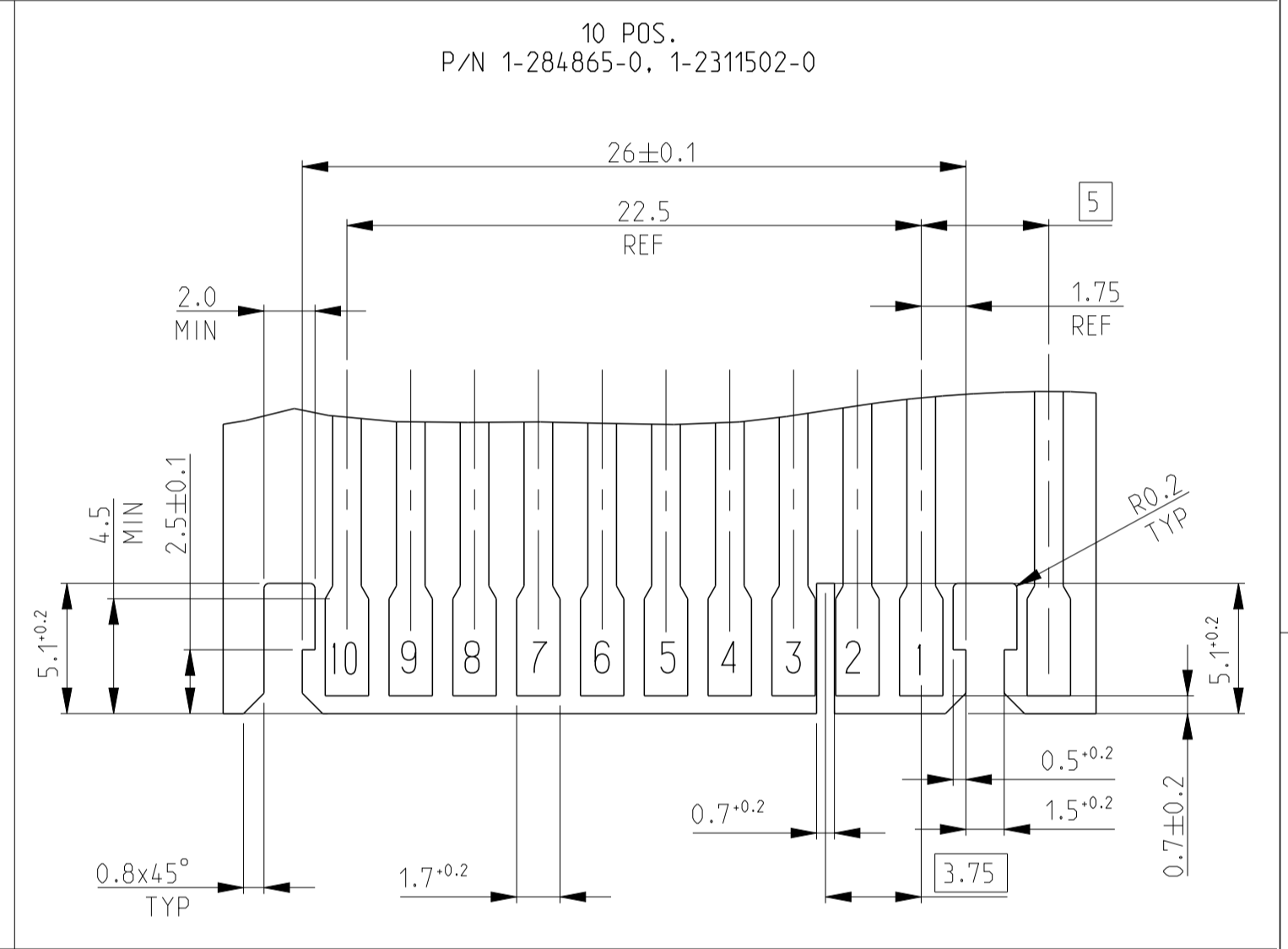
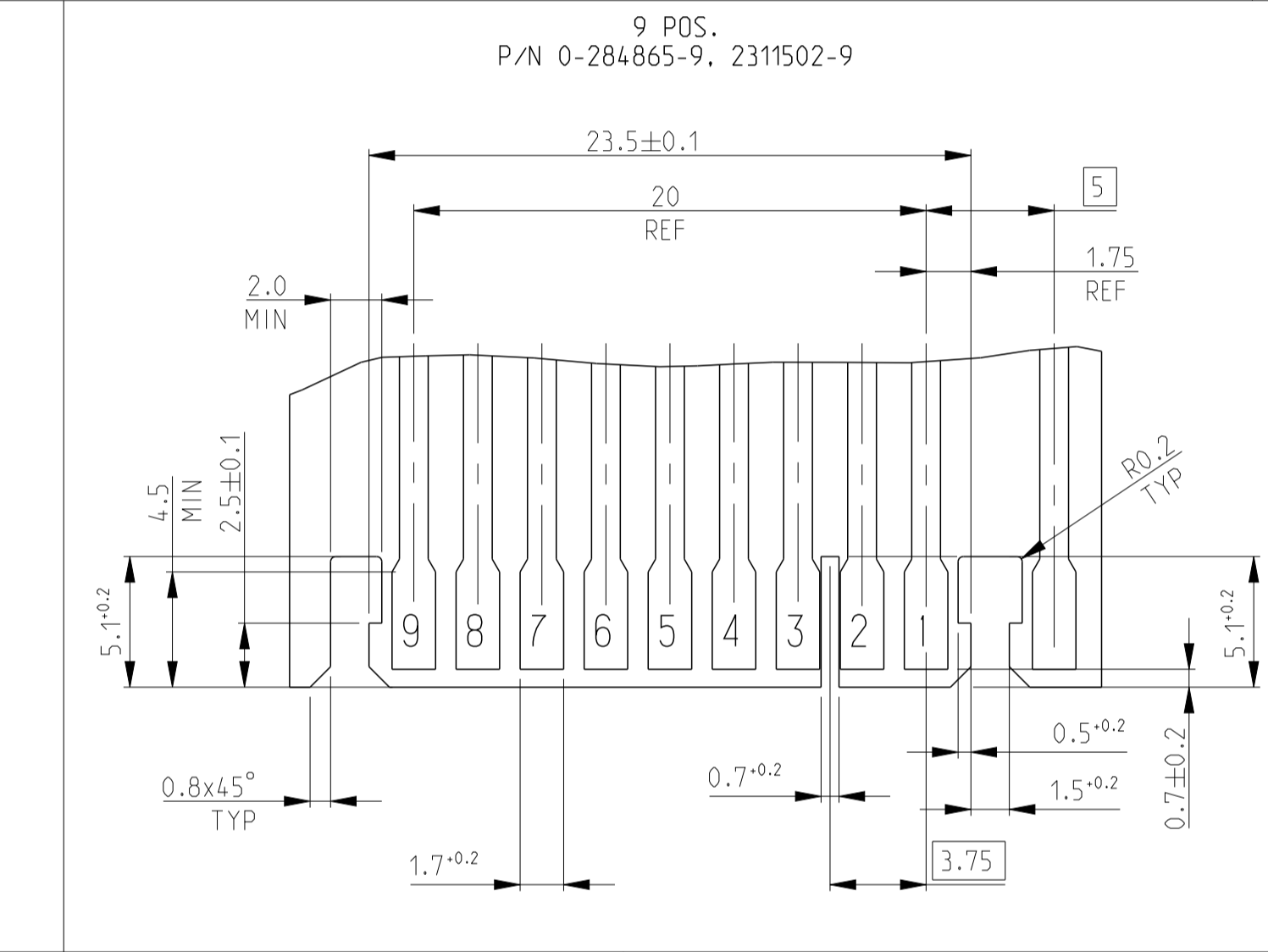
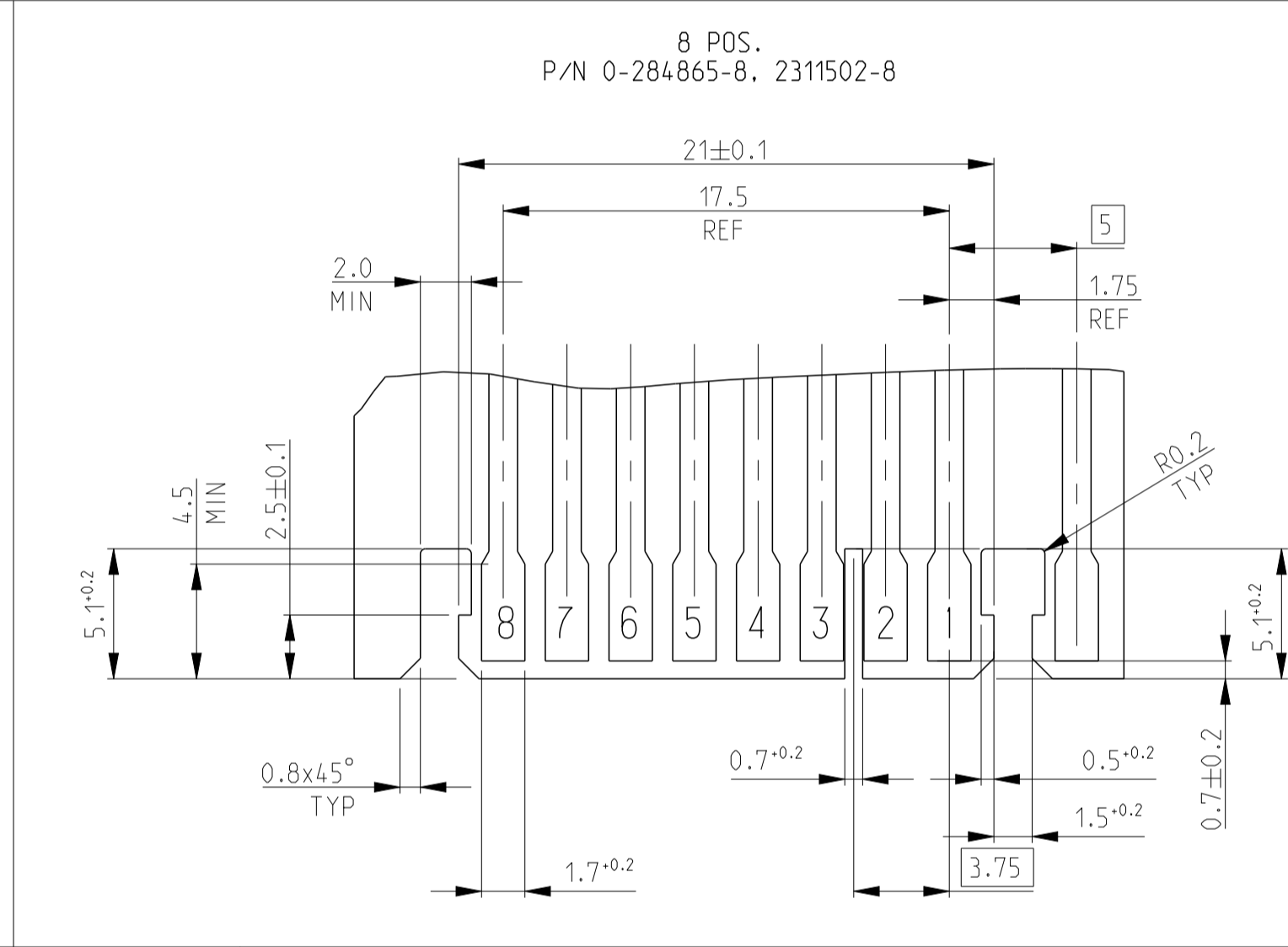
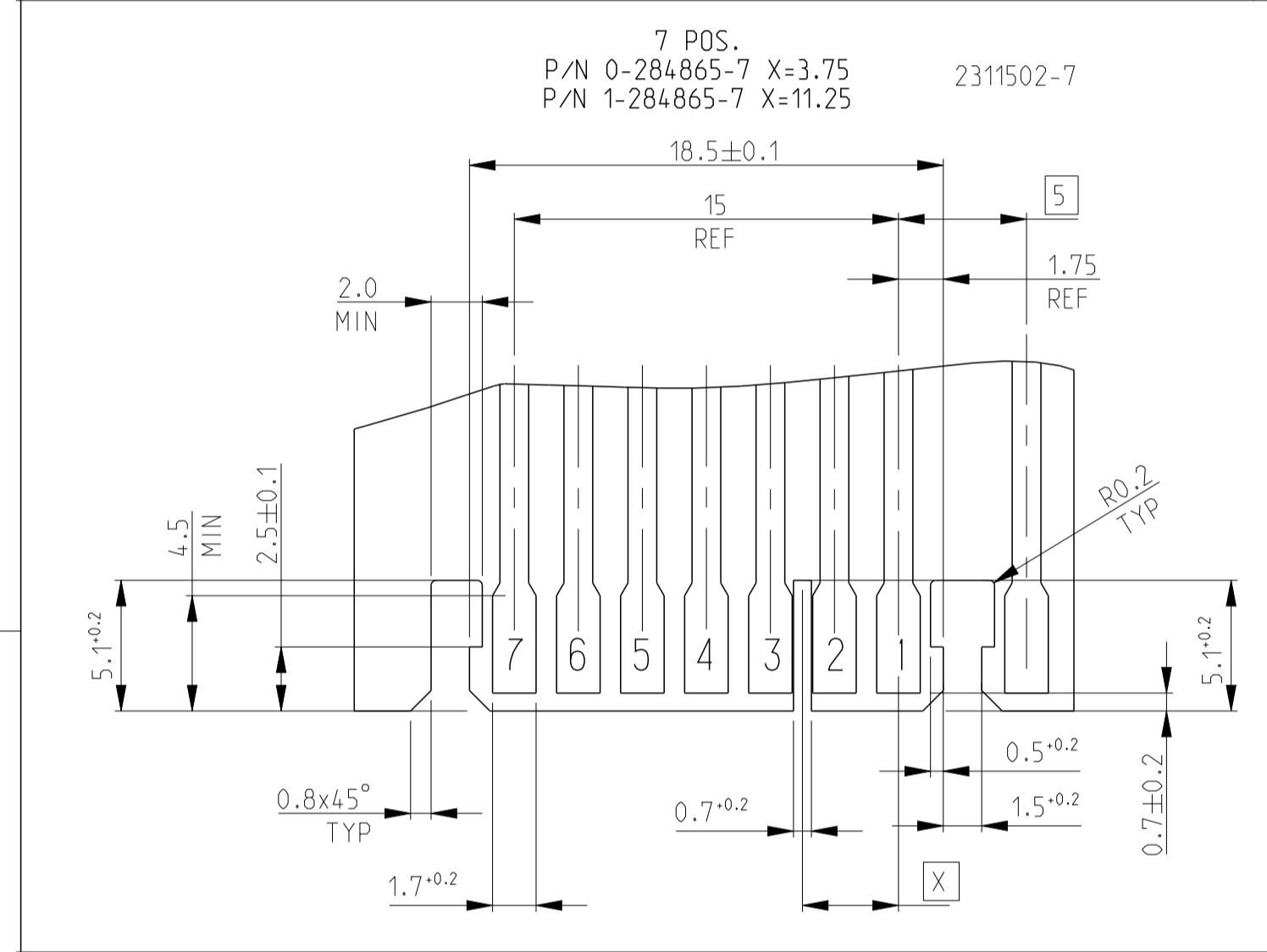
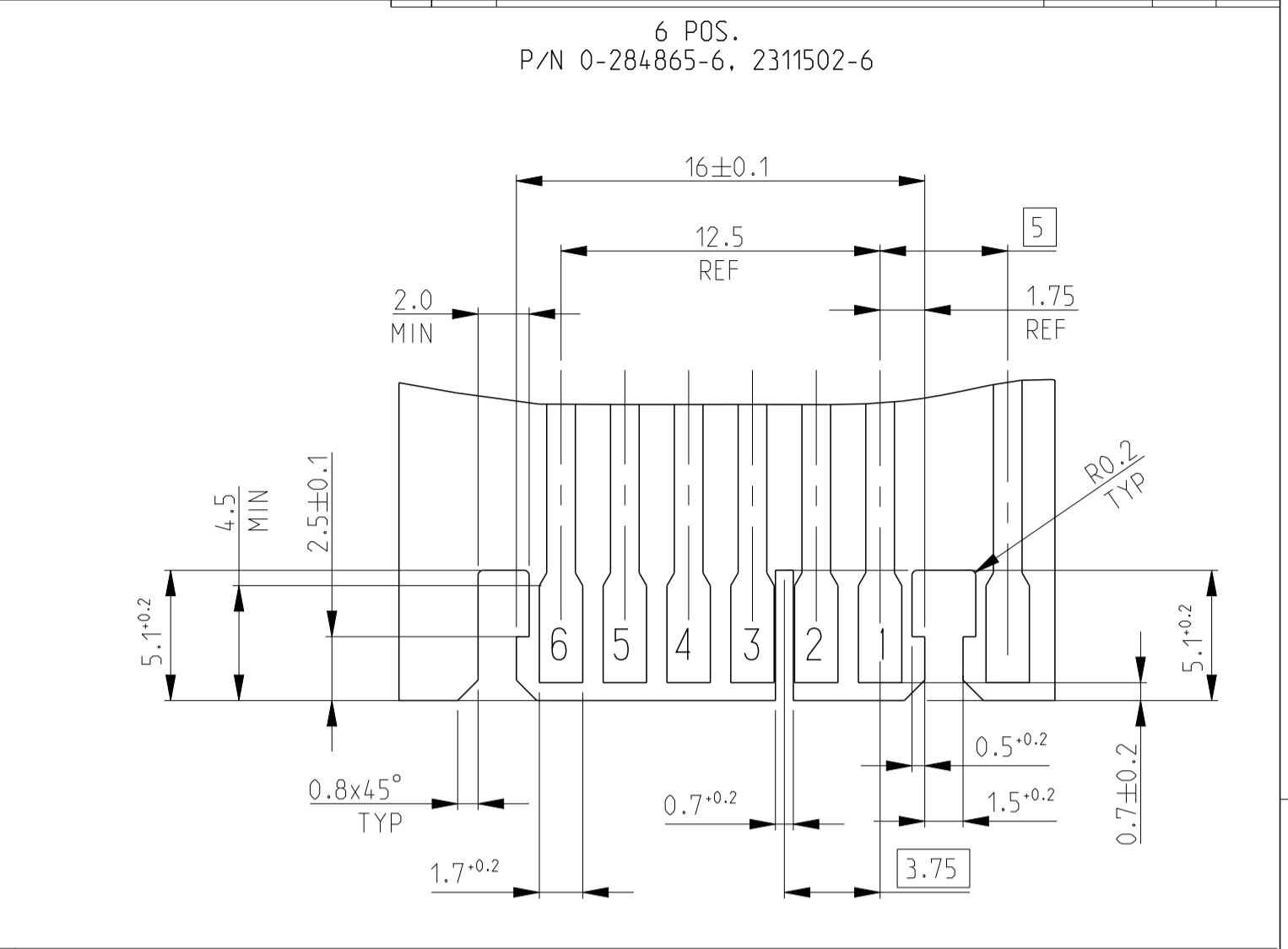
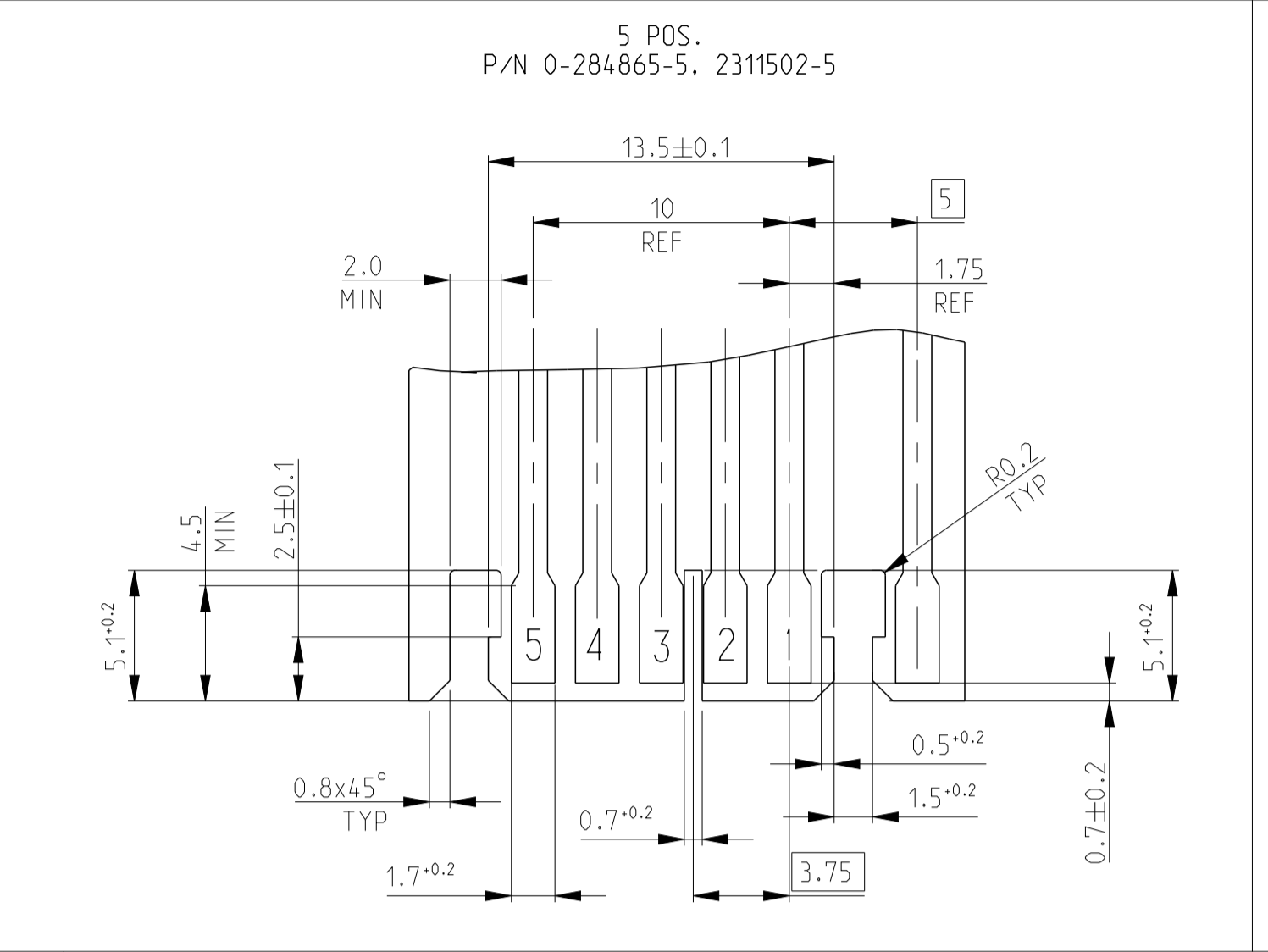
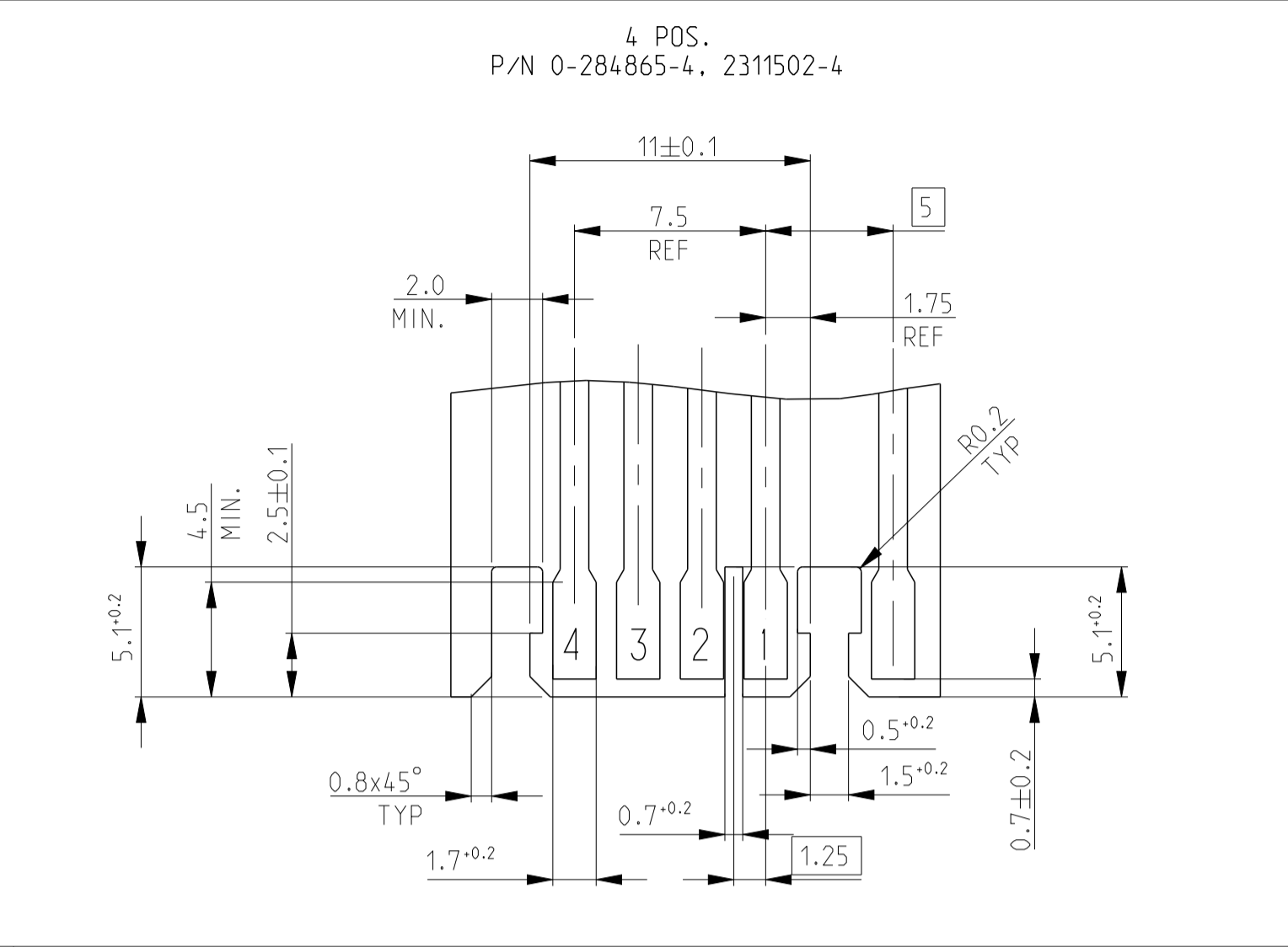
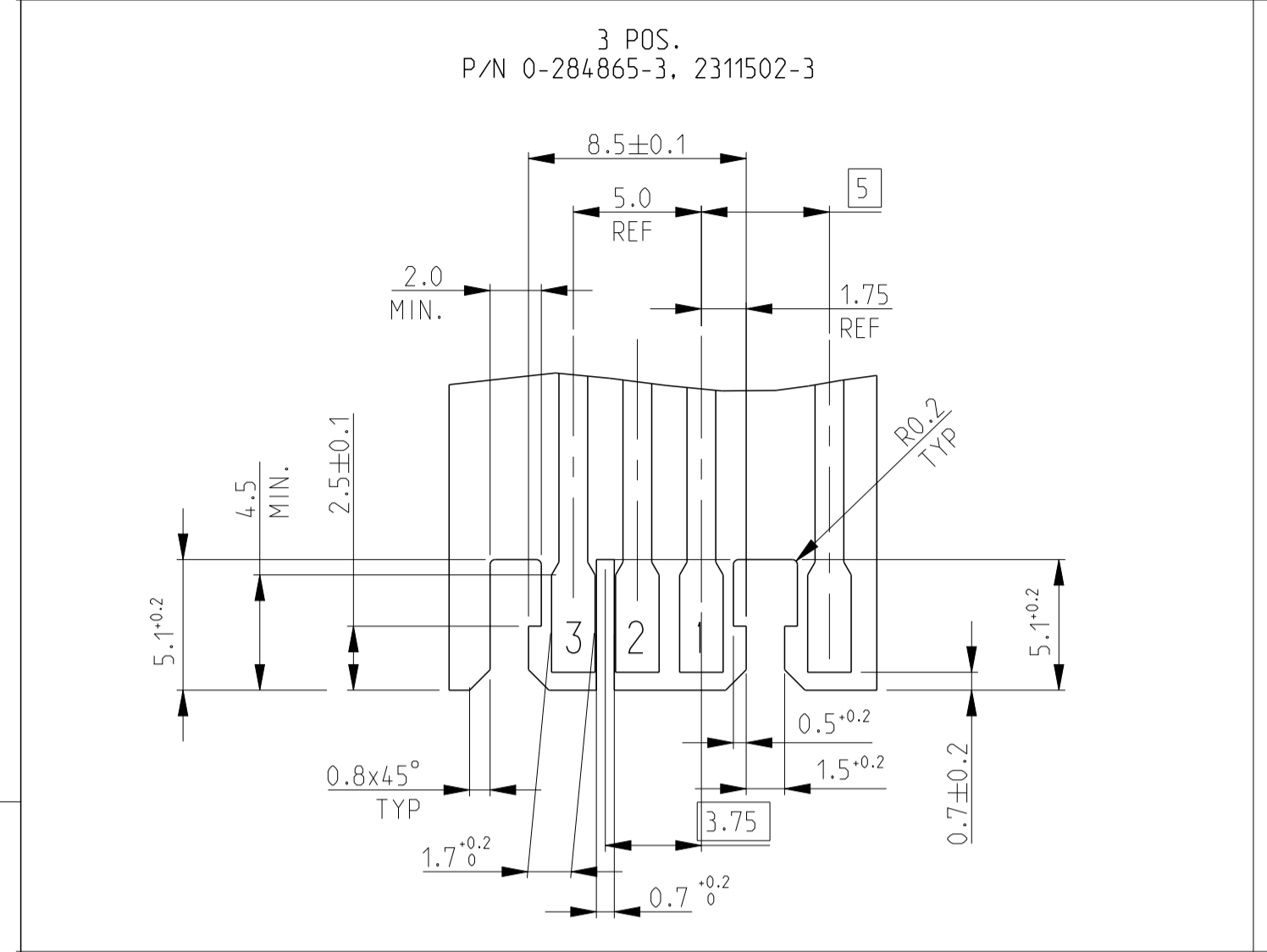
COLOUR CODE	POLARIZ. RIB POS.	HSG POS.	DIM.A	DIM.B	TE P/N	TE P/N
BLACK	13/14	14	32.5	37.4	1-284865-4	2311503-4
RED	11/12	12	27.5	32.4	2-284865-2	1-2311503-2
BLACK	2/3				1-284865-2	2311503-2
RED	9/10	10	22.5	27.4	2-284865-0	2-2311502-0
BLACK	2/3				1-284865-0	1-2311502-0
BLACK	2/3	9	20.0	24.9	0-284865-9	2311502-9
RED	3/4	8	17.5	22.4	2-284865-8	1-2311502-8
BLACK	2/3				0-284865-8	2311502-8
-	5/6	7	15.0	19.9	1-284865-7	1-2311502-7
BLACK	2/3				0-284865-7	2311502-7
-	3/4				5-284865-6	4-2311502-6
ORANGE	5/6				4-284865-6	3-2311502-6
OBSOLETE	BLUE	1/2	6	12.5	3-284865-6	-
RED	4/5				2-284865-6	1-2311502-6
BLACK	2/3				0-284865-6	2311502-6
GREY	1/2				3-284865-5	2-2311502-5
RED	3/4	5	10.0	14.9	2-284865-5	1-2311502-5
BLACK	2/3				0-284865-5	2311502-5
RED	3/4				3-284865-4	1-2311502-4
OBSOLETE	RED	N/A			2-284865-4	-
BLACK	1/2	4	7.5	12.4	0-284865-4	2311502-4
RED	1/2	3	5.0	9.9	2-284865-3	1-2311502-3
BLACK	2/3				0-284865-3	2311502-3

P/N 0-284865-4 AS SHOWN

-		-		THIS DRAWING IS A CONTROLLED DOCUMENT.		DMN R. FABRIS 03JUL2002		TE Connectivity	
SEE TABLE	PH. BRONZE, TIN PLATED	IDC RECEPTACLE CONTACT	2	DIMENSIONS: mm	TOLERANCES UNLESS OTHERWISE SPECIFIED:	APVD	GT TURCO	NAME	DUOPLUG 2.5 FEMALE CONN., SIDE LOCKING KEYED (FULLY LOADED)
Q.TY	MATERIAL	DESCRIPTION	ITEM	0 PLC ±0.2 1 PLC ±0.2 2 PLC ±0.2 3 PLC ±0.2 4 PLC ±0.2 ANGLES ±1°		PRODUCT SPEC	108-20238	SIZE	A1
1		REVISIONE DELL'ASSEMBLATO (REVISION OF EACH ASSY NOI)		MATERIAL	SEE TABLE	APPLICATION SPEC	116-18049-1	CAGE CODE	00779
0.141 PER ASSEMBLATO (BY REV. REV ASSY)		ELENCO DEI COMPONENTI (PARTS LIST)		FINISH		RESTRICTED TO		Customer Drawing	SCALE 10:1 SHEET 1 OF 4 REV B

PCB LAYOUT -Soldering side-
 (SCALE 4:1)

LOC		DIST		REVISIONS			
P	LTN	DATE	OWN	APVD	DESCRIPTION		
-	-	-	-	-	SEE SHEET 1		



THIS DRAWING IS A CONTROLLED DOCUMENT. OWN R. FABRIS 03JUL2002
 DIMENSIONS: mm
 TOLERANCES UNLESS OTHERWISE SPECIFIED:
 0 PLC # # # #
 1 PLC # # # #
 2 PLC # # # #
 3 PLC # # # #
 4 PLC # # # #
 ANGLES # # # #
 MATERIAL SEE TABLE
 FINISH SEE TABLE

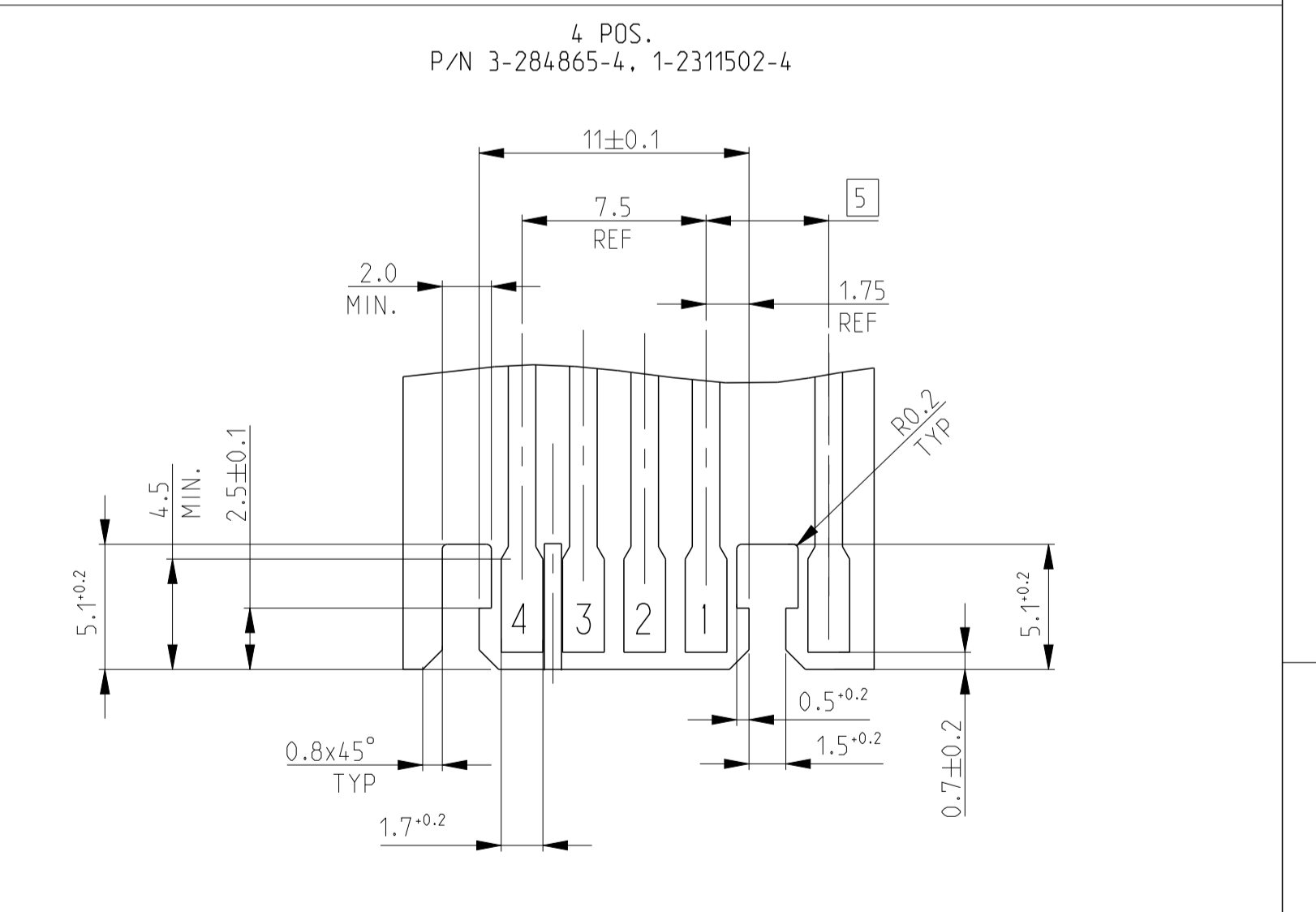
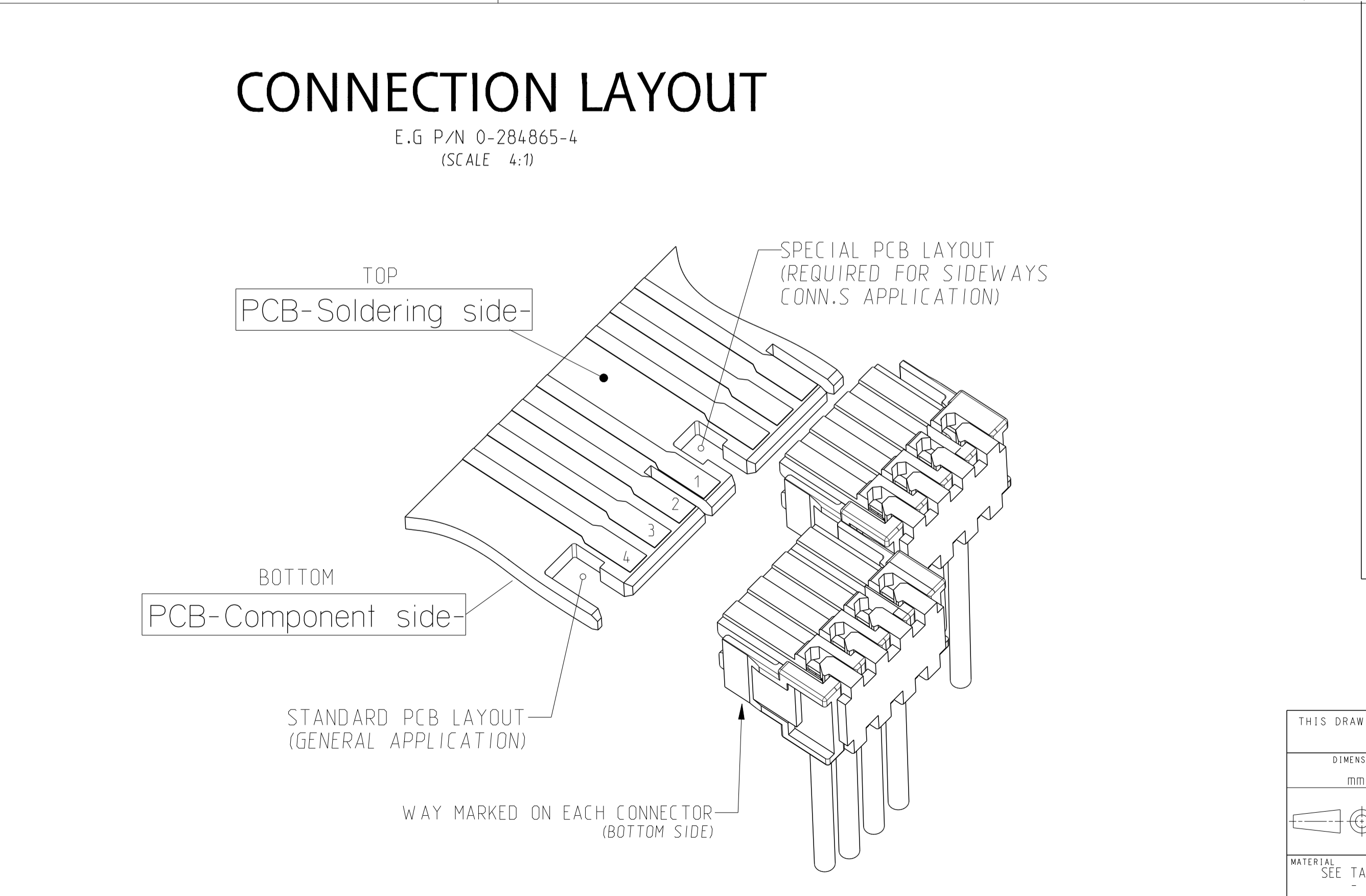
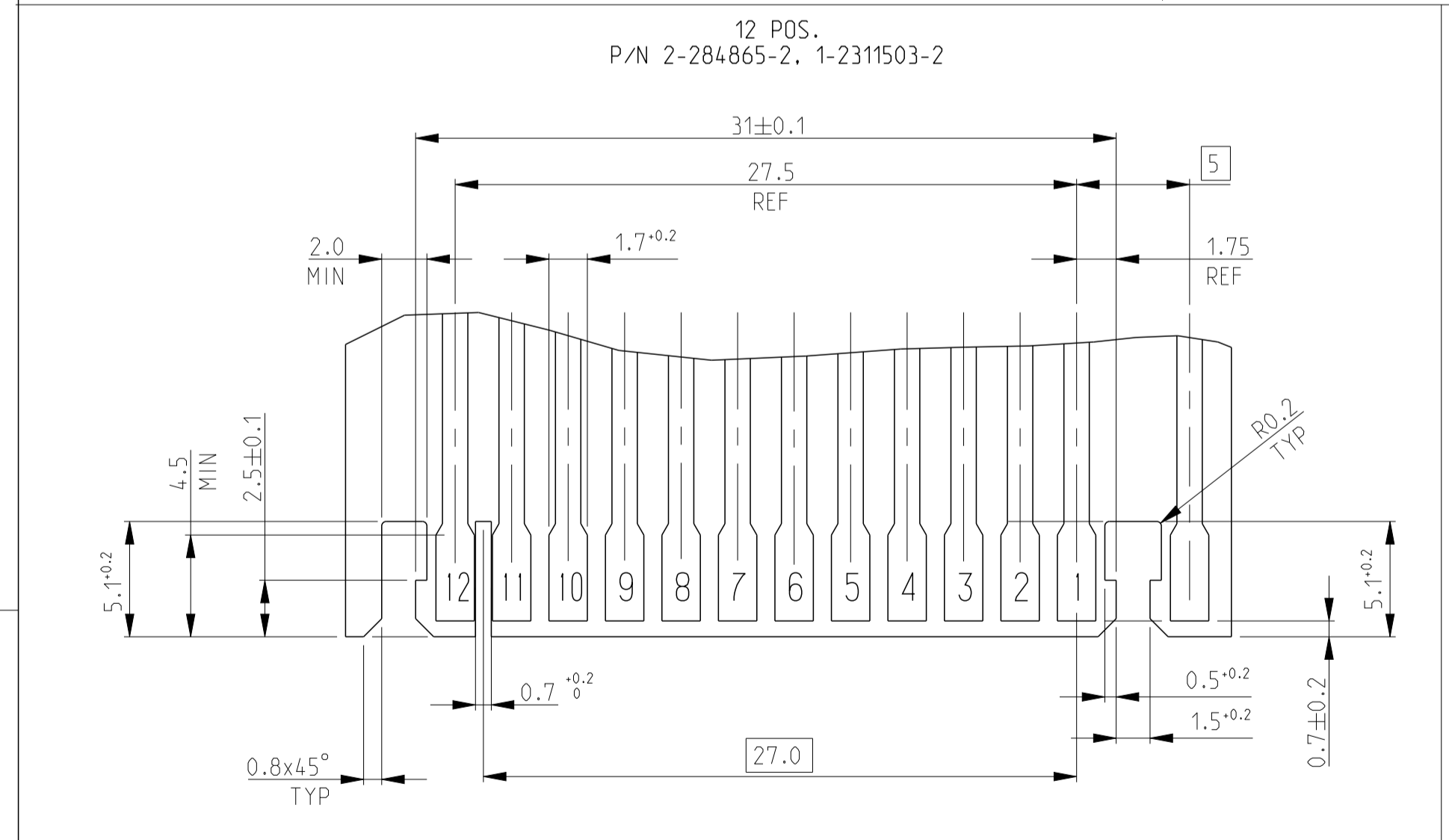
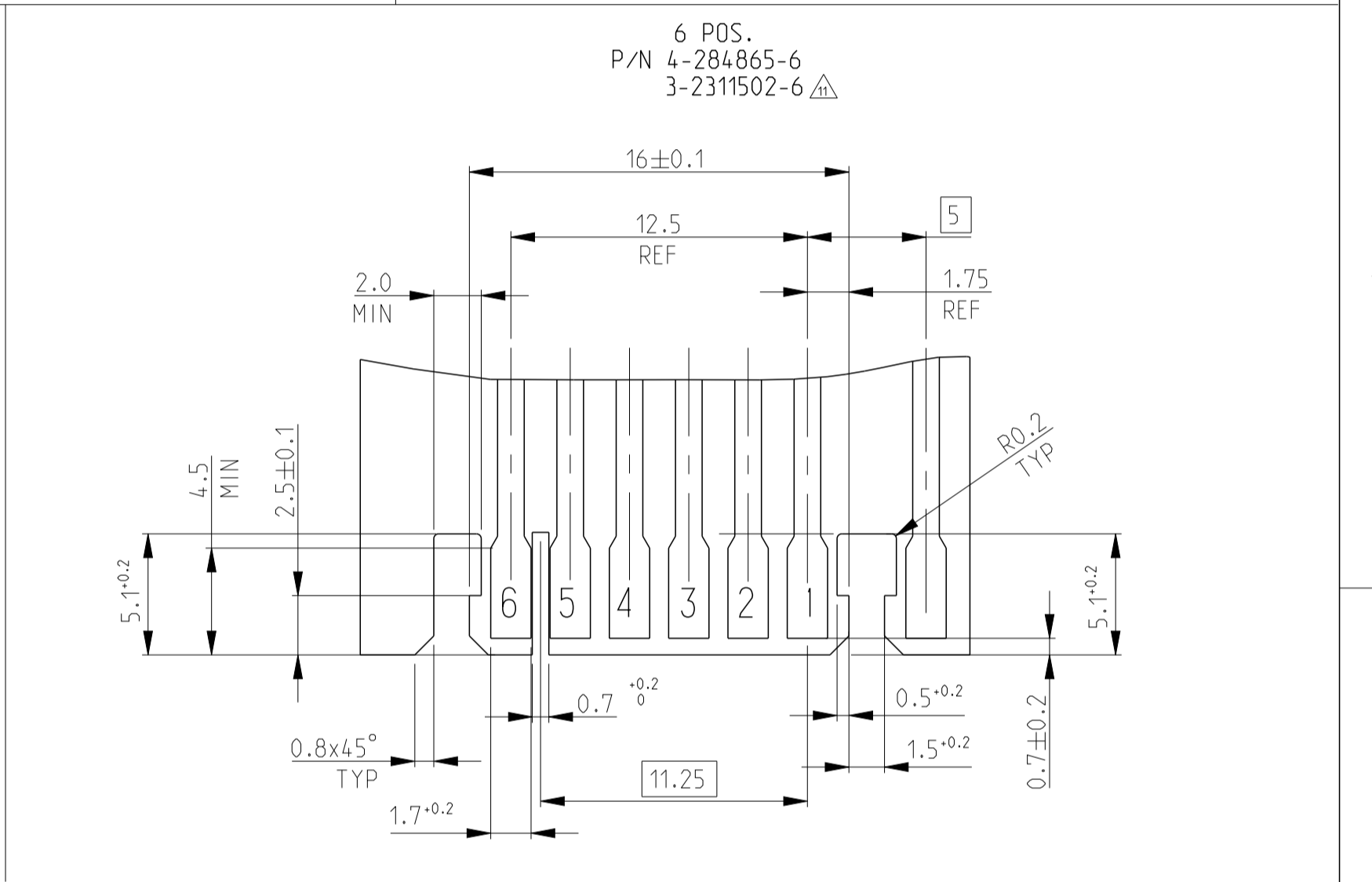
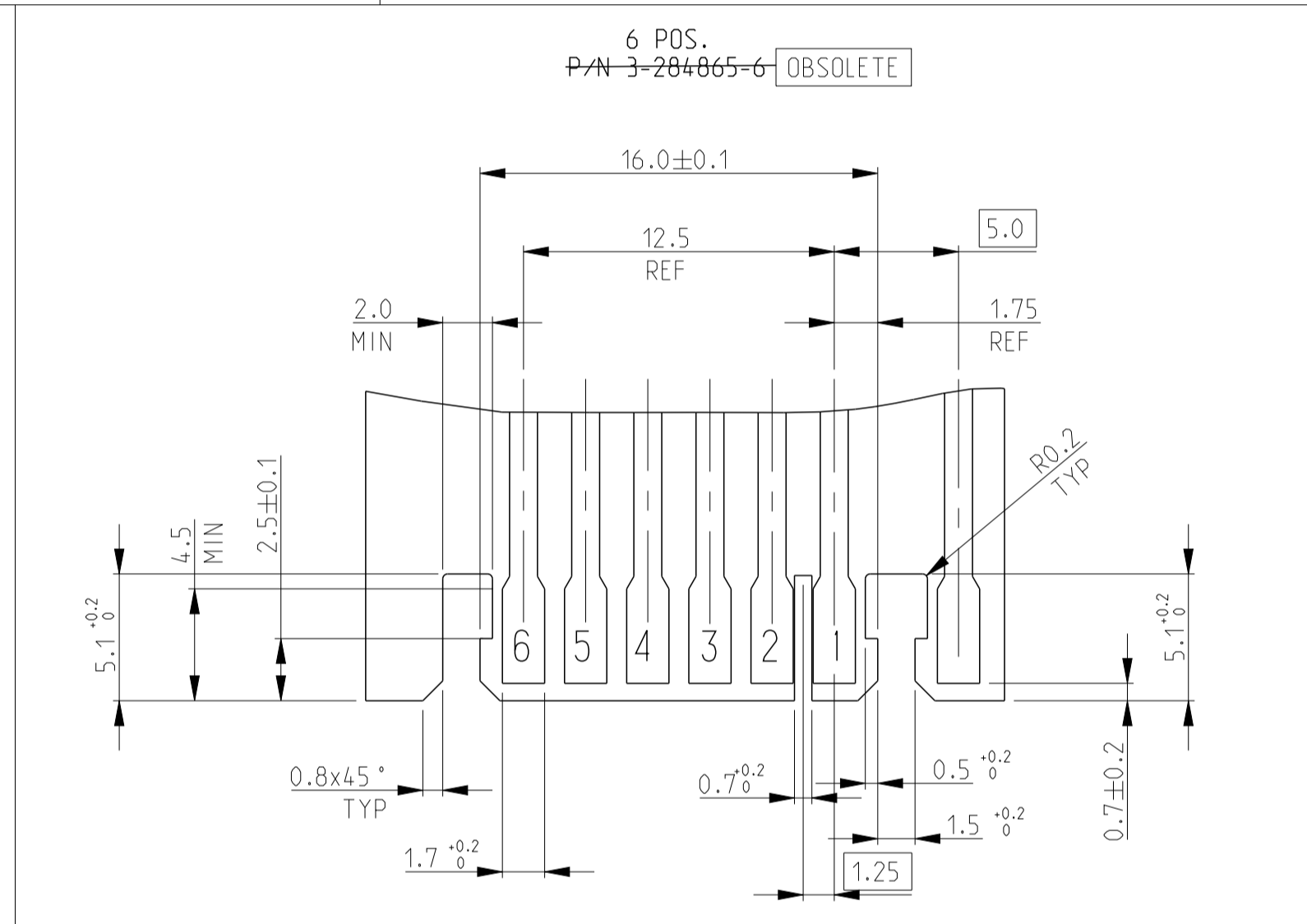
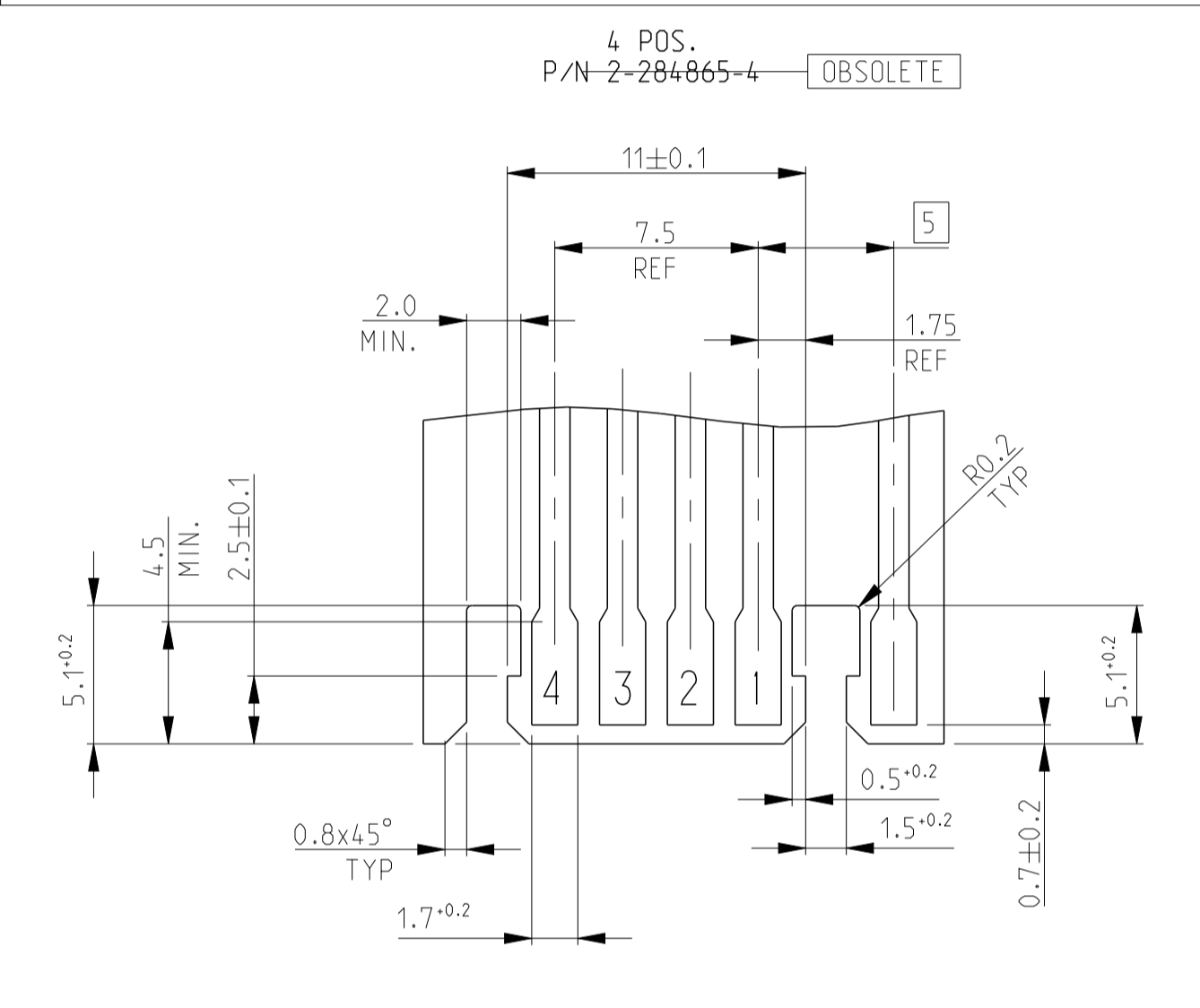
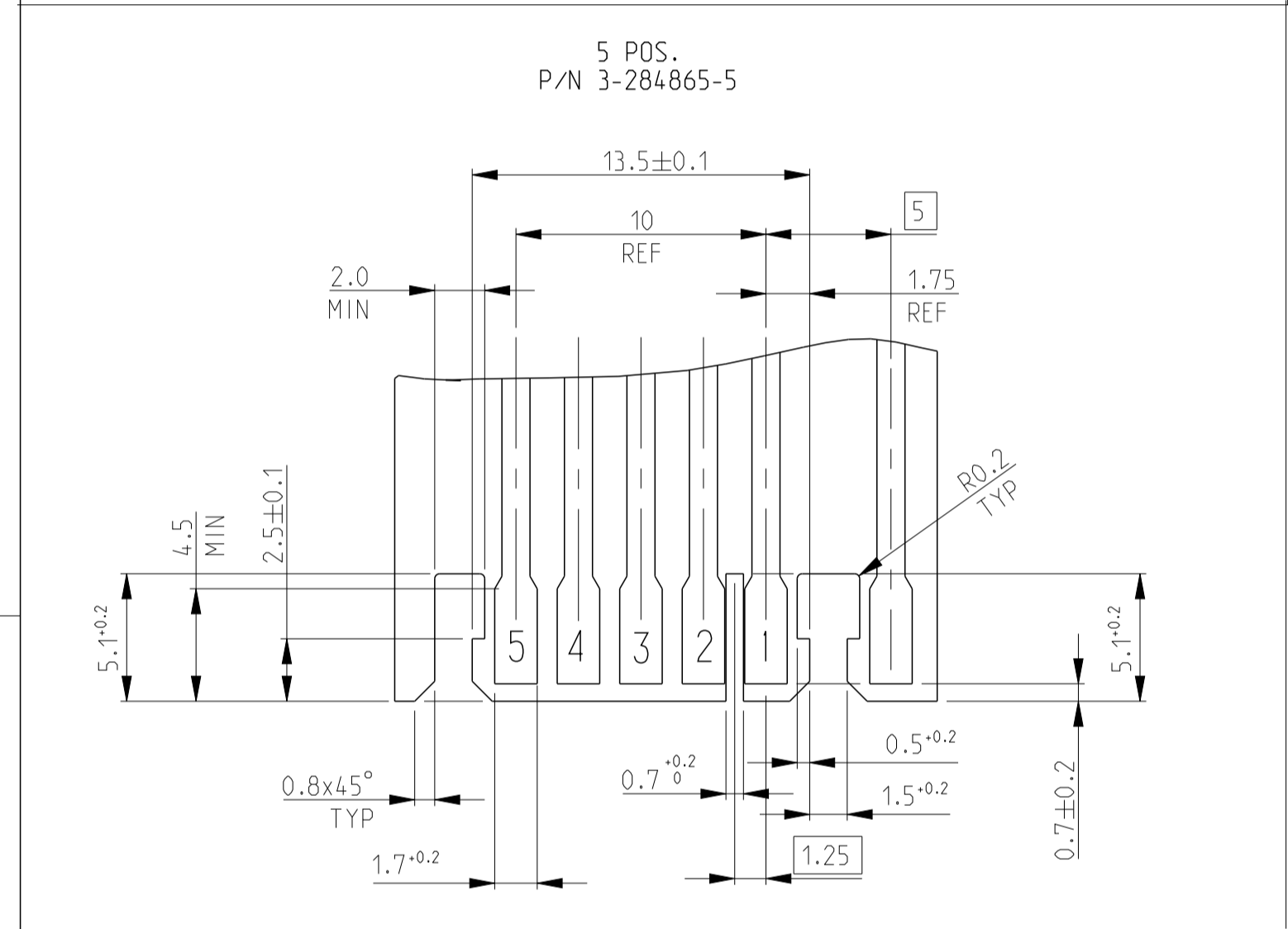
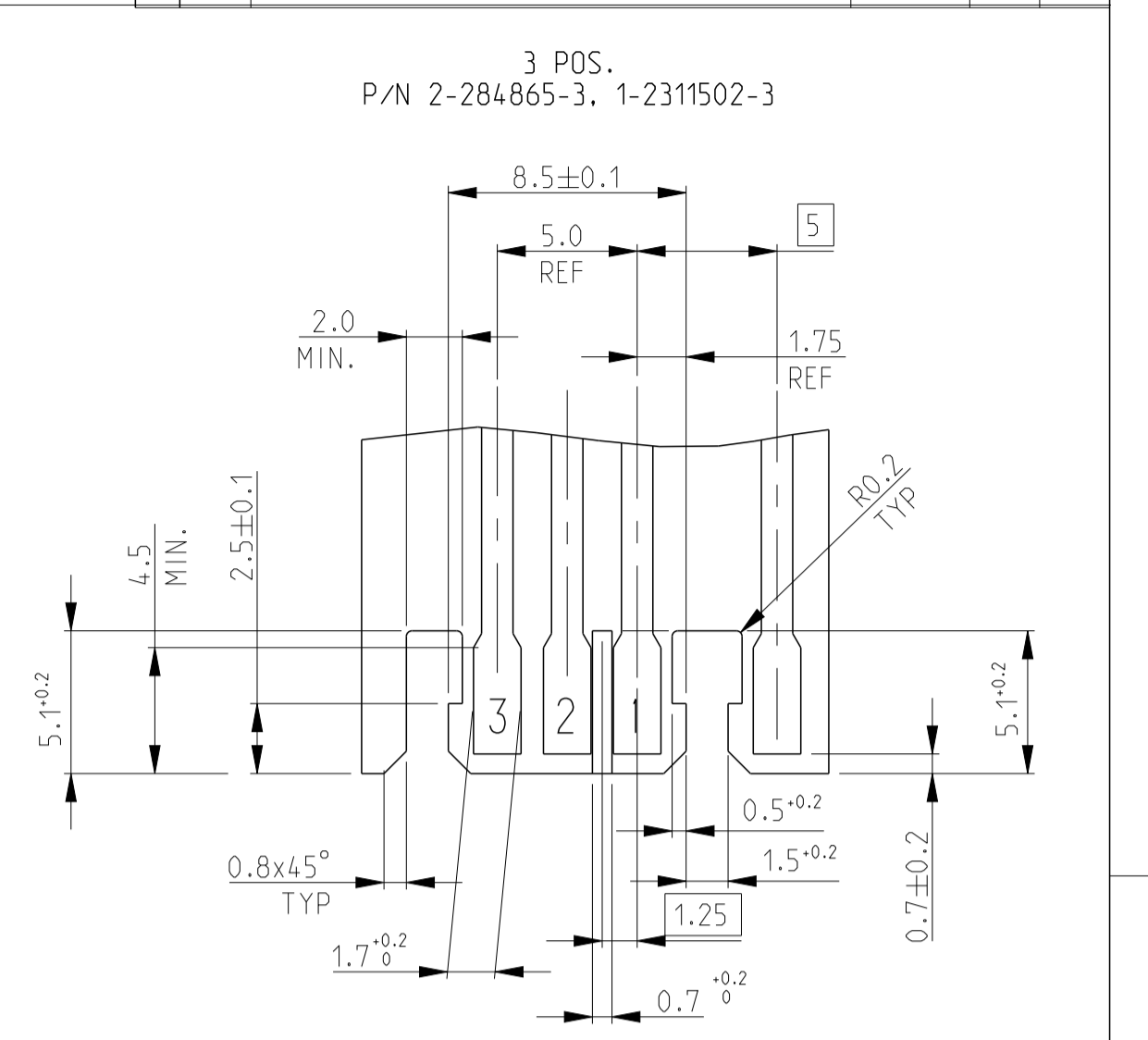
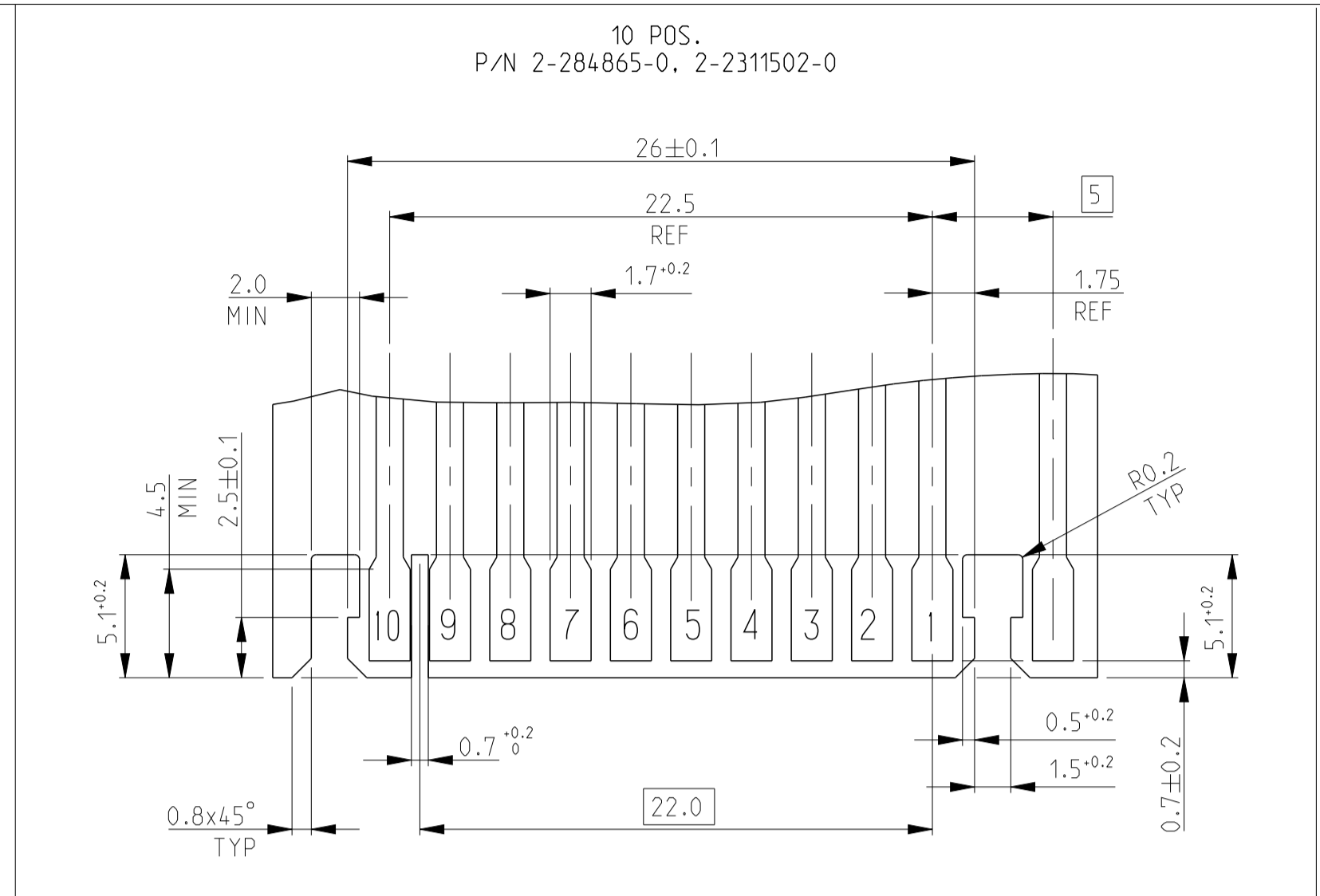
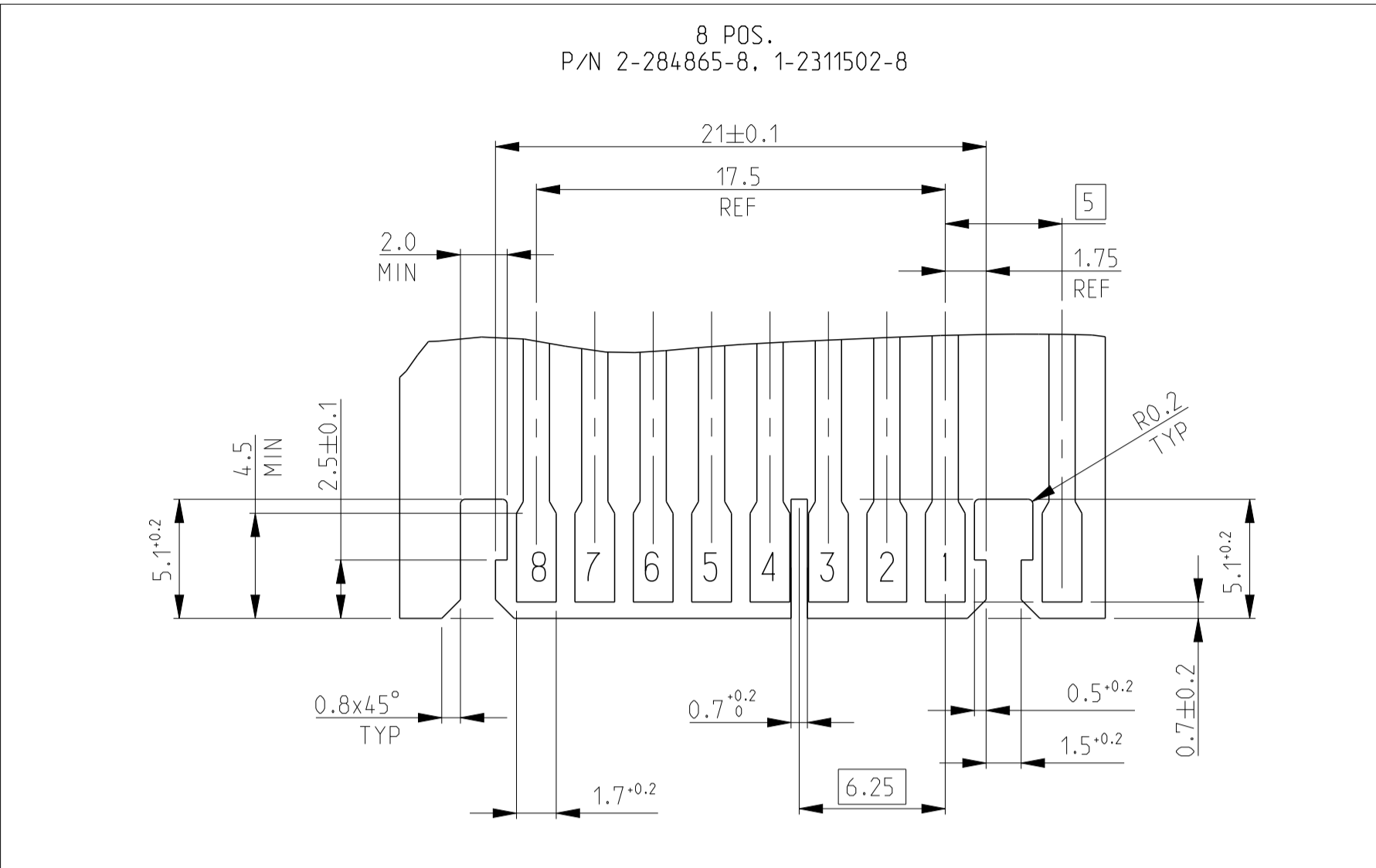
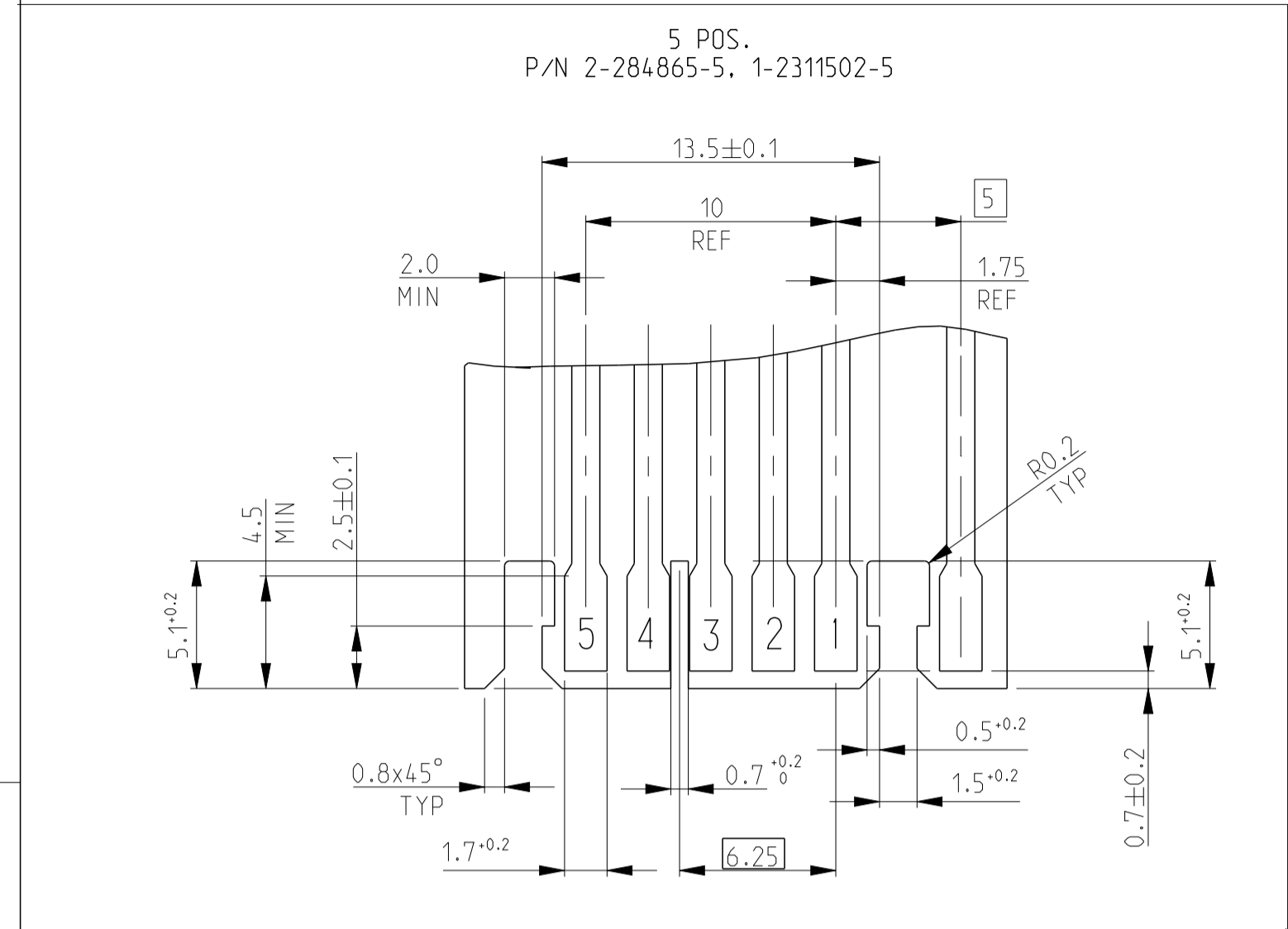
APVD	ES TURCO	NAME	DUOPLUG 2.5 FEMALE CONN., SIDE LOCKING KEYED (FULLY LOADED)
PRODUCT SPEC	108-20238	SIZE	CAGE CODE DRAWING NO
APPLICATION SPEC	116-18049-1	RESTRICTED TO	
WEIGHT		A1	00779 ©=284865

Customer Drawing SCALE 10:1 SHEET 2 OF 4 REV B

LOC		DIST		REVISIONS			
P	LTN	DESCRIPTION	DATE	OWN	APPV		
-	-	SEE SHEET 1	-	-	-		

PCB LAYOUT -Soldering side-

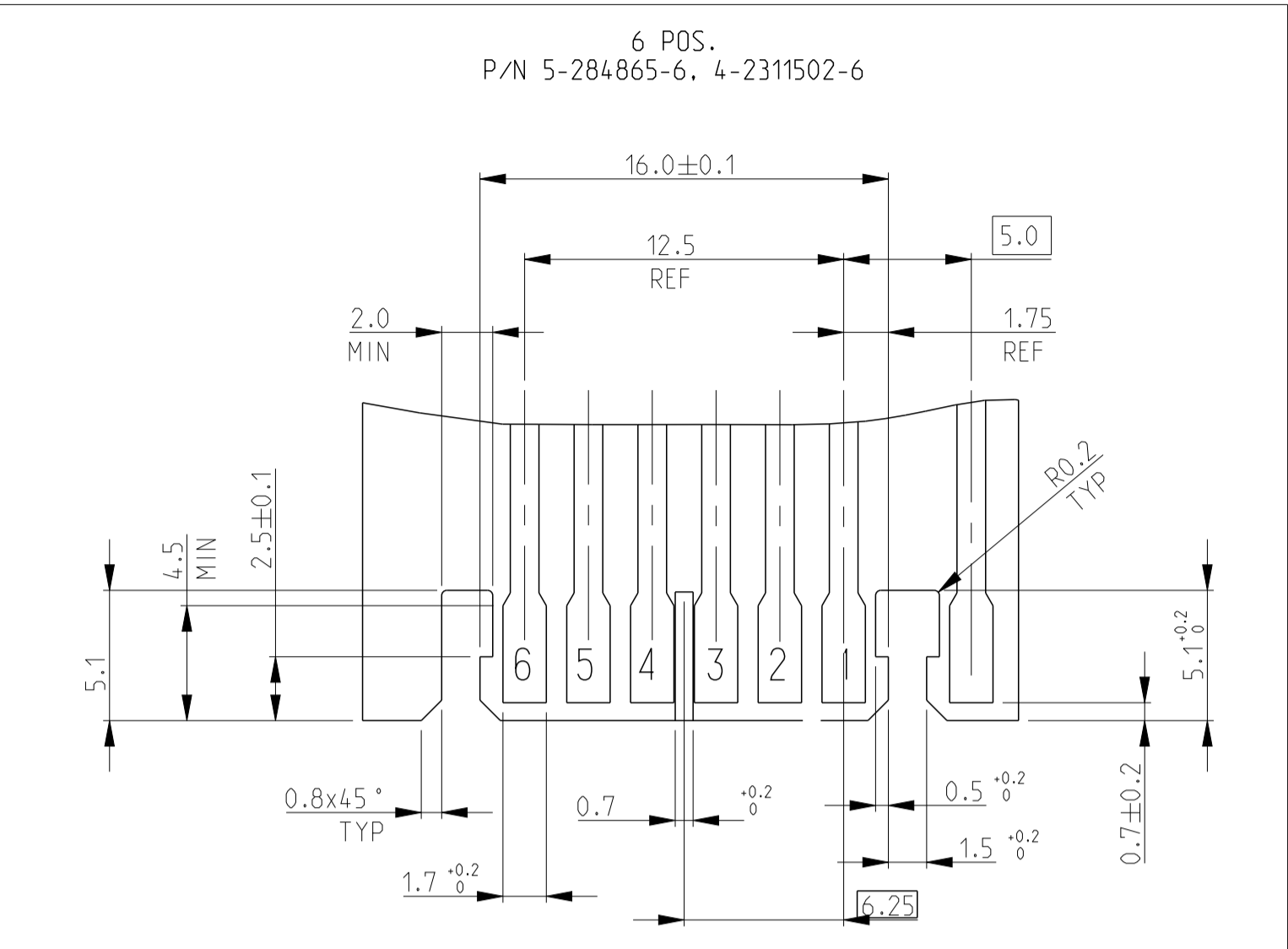
(SCALE 4:1)



THIS DRAWING IS A CONTROLLED DOCUMENT.		OWN R. FABRIS 03JUL2002	TE Connectivity
DIMENSIONS: mm		CHK -	
TOLERANCES UNLESS OTHERWISE SPECIFIED:		APVD E. TURCO	NAME DUOPLUG 2.5 FEMALE CONN., SIDE LOCKING KEYS (FULLY LOADED)
0 PLC # # # #		PRODUCT SPEC 108-20238	SIZE CAGE CODE DRAWING NO RESTRICTED TO
1 PLC # # # #		APPLICATION SPEC	A1 00779 ©=284865
2 PLC # # # #		116-18049-1	SCALE 10:1 SHEET 3 OF 4 REV B
3 PLC # # # #		WEIGHT -	Customer Drawing
4 PLC # # # #		FINISH -	
ANGLES # # # #			
MATERIAL SEE TABLE			
FINISH SEE TABLE			

PCB LAYOUT -Soldering side-

(SCALE 4:1)



LOC		DIST		REVISIONS			
		P	LTH	DESCRIPTION	DATE	DWN	APVD
		-		SEE SHEET 1	-	-	-

THIS DRAWING IS A CONTROLLED DOCUMENT.		DWN R. FABRIS	03JUL2002	TE Connectivity	
DIMENSIONS: mm		CHK -	APVD G. TURCO		
		TOLERANCES UNLESS OTHERWISE SPECIFIED: 0 PLC ± 1 PLC ± 2 PLC ± 3 PLC ± 4 PLC ± ANGLES ±°		PRODUCT SPEC 108-20238 APPLICATION SPEC 116-18049-1	RESTRICTED TO
MATERIAL SEE TABLE	FINISH SEE TABLE	WEIGHT -	SIZE A1	CAGE CODE 00779	DRAWING NO C=284865
Customer Drawing			SCALE 10:1	SHEET 4	OF 4
			REV B		

X-ON Electronics

Largest Supplier of Electrical and Electronic Components

Click to view similar products for [TE Connectivity](#) manufacturer:

Other Similar products are found below :

[D38999/24FJ4AN](#) [570416-000](#) [CLTEQ-M81CE-SSRELAY-4-20V](#) [4-1195131-0](#) [650069-000](#) [SMD100-2](#) [358838-000](#) [CB-1022B-78](#)
[RM707012](#) [RP410012](#) [MMS42](#) [1-640426-8](#) [2EDL4CM](#) [DTS20W19-11PD-3028-LC](#) [RM202615](#) [NC6-P104-06](#) [MSPS103B](#) [DTS26F21-](#)
[41HE-LC](#) [DTS26F21-41AE](#) [DTS26F21-41PE-LC](#) [DTS26F21-11SE-3028-LC](#) [30DCB6](#) [1932144-1](#) [293545-4](#) [LVR125S](#) [MS27466T25F4PB](#)
[CKB-38-78010](#) [TR04AI-TINELLOCKRING](#) [1206SFF150F/63-2](#) [D38999/20JB35HA](#) [TE1500A2R2J](#) [D38999/20WC8BB](#) [DTS24F19-11SC-](#)
[3028-LC](#) [D38999/24WG11HA](#) [D38999/24WG11HN](#) [MS27467T21F11H](#) [DJT16E21-11HA](#) [MS27467T21F35J](#) [MS27467T21F11J](#)
[MS27467T21F16H-LC](#) [MS27467T21F35H](#) [MS27467T21F41H-LC](#) [1206SFH150F/24-2](#) [RP330024](#) [DJT16E21-11PA-LC](#) [DJT16E21-11HA-](#)
[LC](#) [DJT16E21-11AA](#) [MS27467T21B11JA](#) [DJT16E21-11JA](#) [MS27467T21B11JA-LC](#)