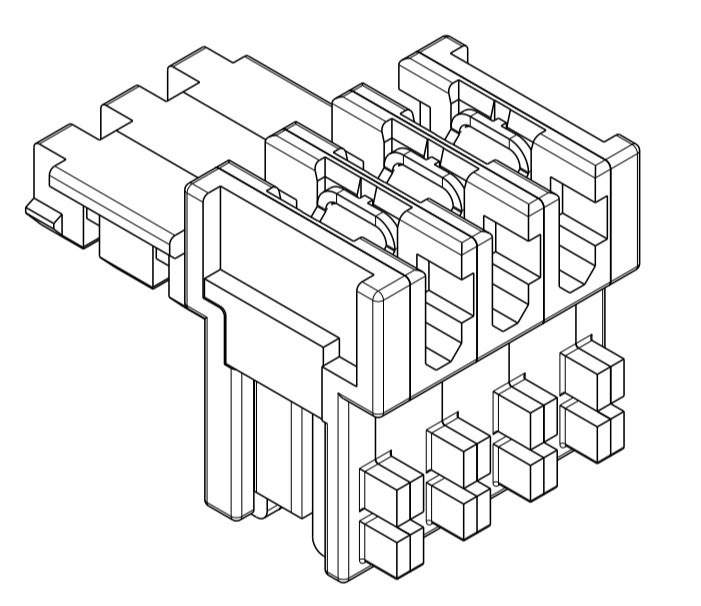
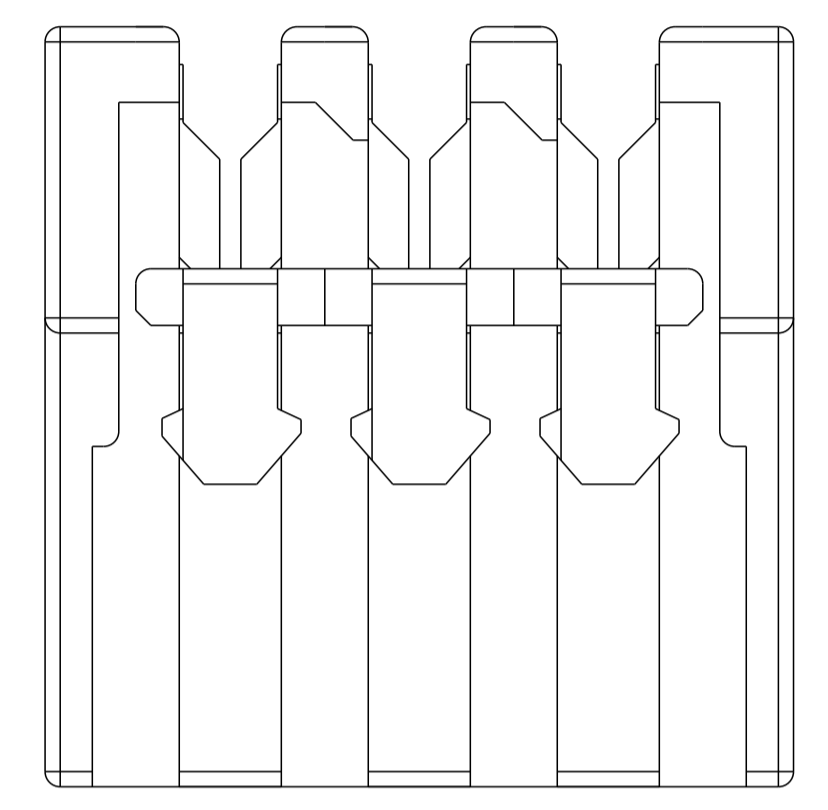
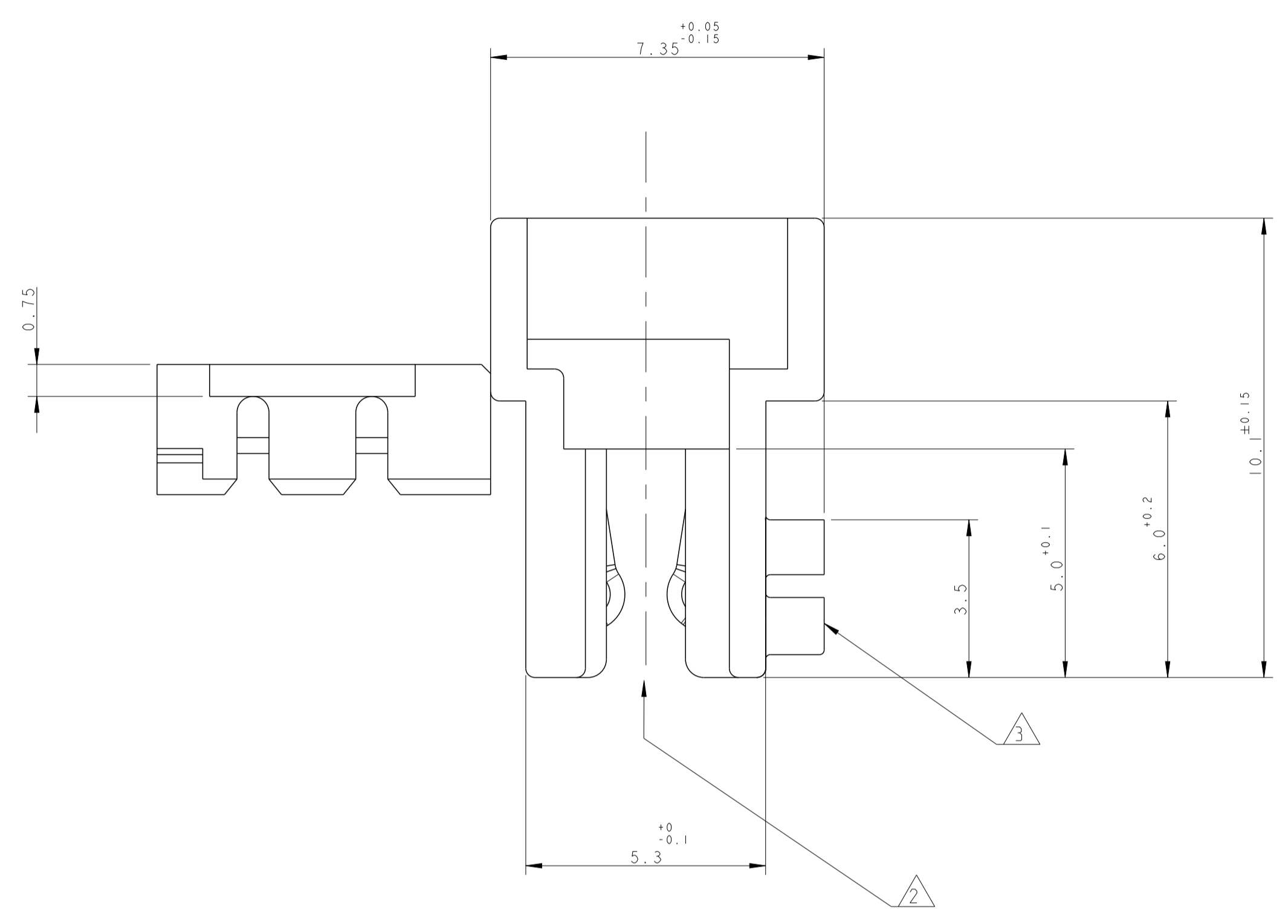
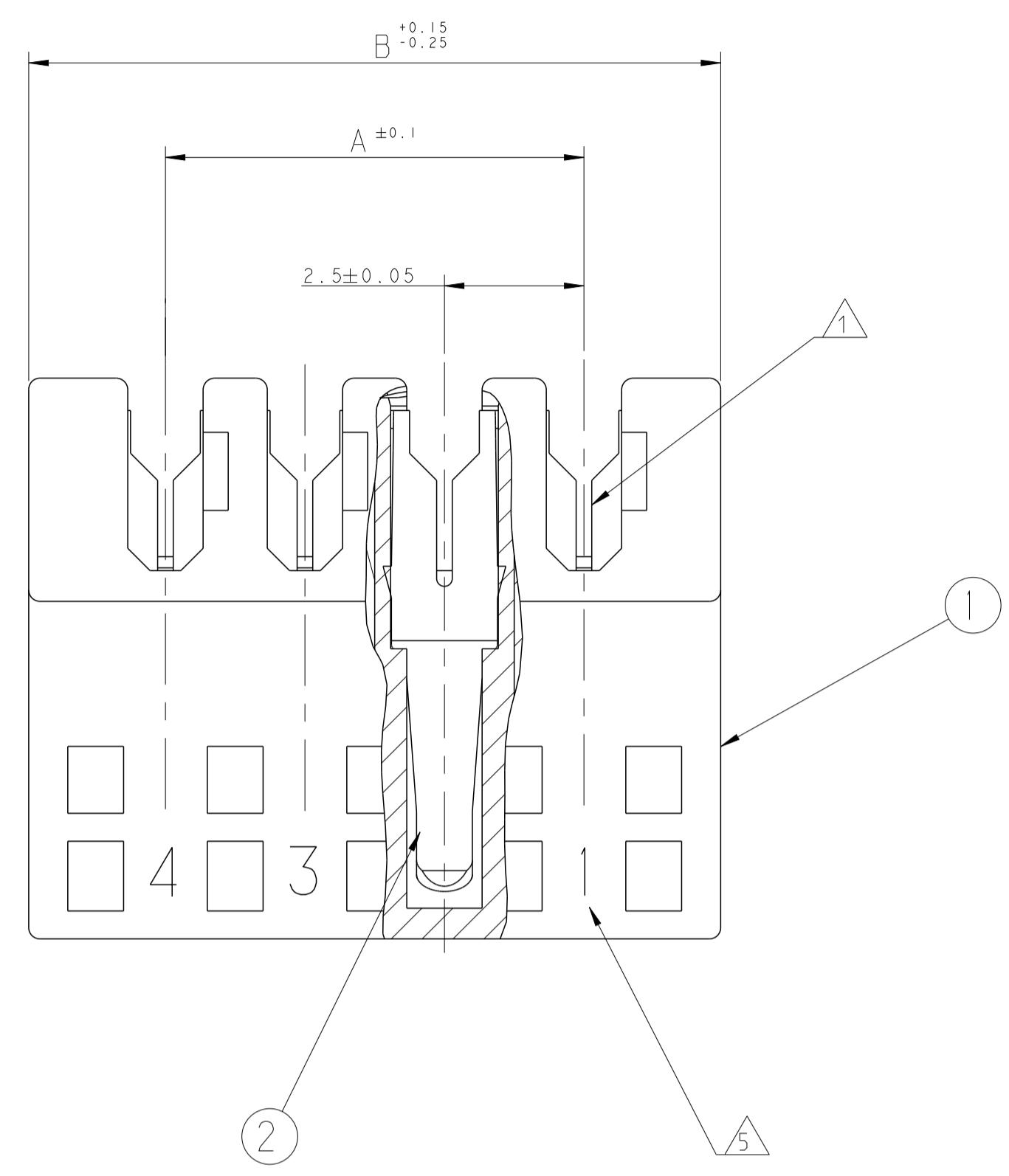
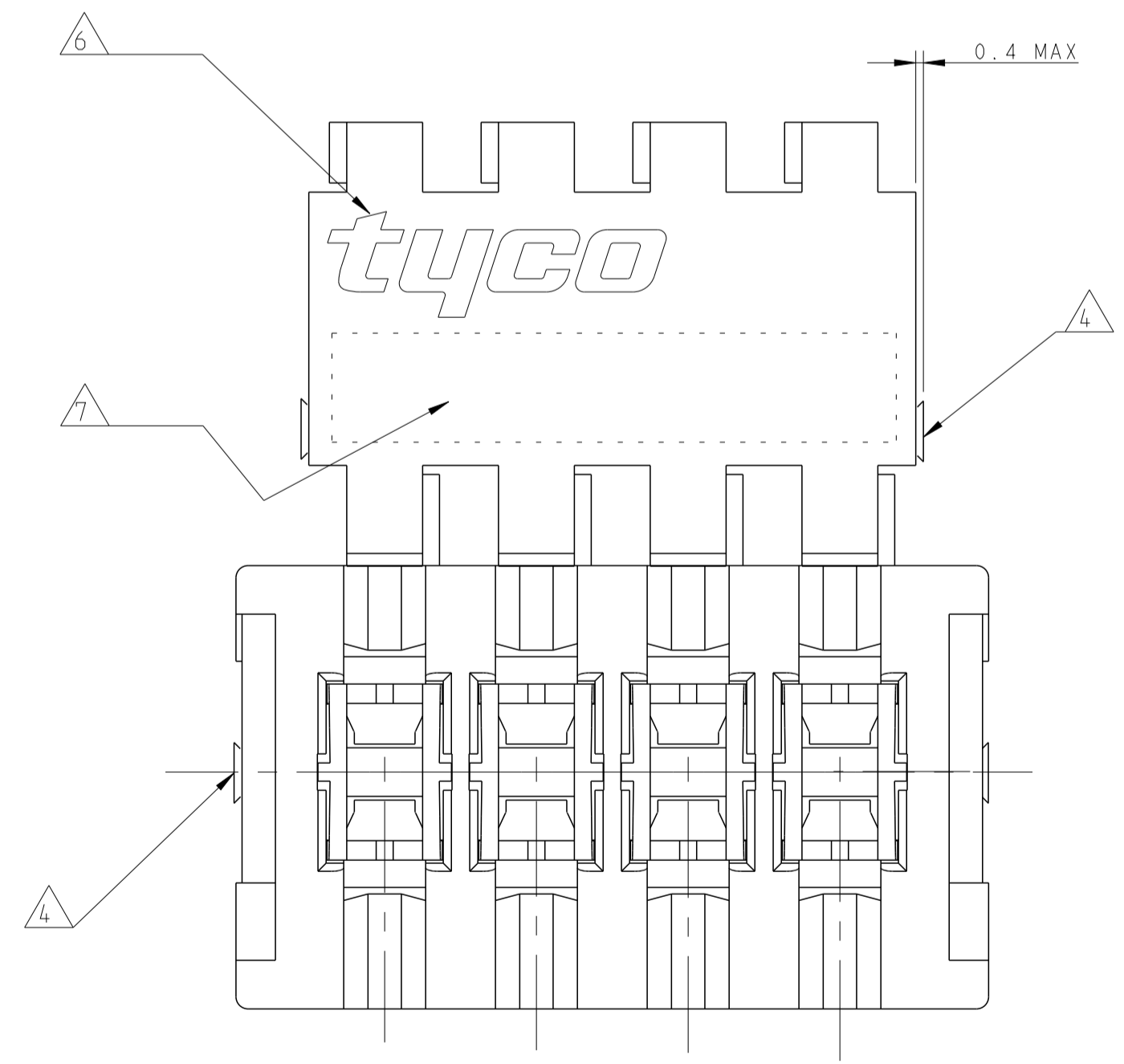


LOC	DIST	REVISIONS			
P	LTN	DESCRIPTION	DATE	DWN	APVD
A13		ECR-17-009651	19JUL2017	RS	DC
A14		REVISED PER ECR-18-017204	23NOV2018	BW	DC
B		REVISED PER ECR-19-015552	03NOV2019	KD	FL



P/N 0-284930-3 AS SHOWN



- 1 WIRE RANGE : STRANDED 0.22-0.35 mm<sup>2</sup> (INS. DIA. 1.30±0.1)
- 2 MATING PART: TAB HEADER P/Ns 1971817, 1971818 AND EQUIVALENT; PCB FRAME P/N 964575 (PCB THK 1.5±0.14 COPPER CLADDING INCLUDED) SEE PRODUCT SPEC. 108-18056 FOR FRAME APPLICATION
- 3 KEYING RIBS TO BE REMOVED BY TERMINATION MACHINE
- 4 CUT OFF DIMENSION DUE TO PRODUCTION PROCESS
- 5 CIRCUIT No. IDENTIFICATION
- 6 TYCO ELECTRONICS TRADEMARK (OPTIONAL POSITION)
- 7 TAMOGRAPHIC COLOUR CODE AREA (P/Ns IDENTIFICATION BEFORE CRIMPING)
- 8 OBSOLETE PARTS: OBSOLETE CIS STREAMLINING PER D.RENAUD/D.SINISI
- 9 PBT GF
- 10 PBT GF, UL94-V0 & GWEPT 750 NO-FLAME, NATURAL
- 11 PRELIMINARY PN NOT FOR PRODUCTION

OBsolete	NATURAL	13	30.0	34.9	5x	1-284930-3	-
-	-	11	25.0	29.9	6x	1-284930-1	2311501-1
OBsolete	NATURAL	10	22.5	27.4	6x	1-284930-0	-
OBsolete	NATURAL	9	20.0	24.9	7x	284930-9	11
OBsolete	NATURAL	8	17.5	22.4	8x	2-284930-8	-
-	-	8	17.5	22.4	8x	0-284930-8	2311500-8
-	-	7	15.0	19.9	8x	0-284930-7	2311500-7
-	BLUE	6	12.5	17.4	10x	2-284930-6	1-2311500-6
-	-	6	12.5	17.4	10x	0-284930-6	2311500-6
OBsolete	NATURAL	5	10.0	14.9	11x	2-284930-5	-
-	-	5	10.0	14.9	11x	0-284930-5	2311500-5
OBsolete	NATURAL	4	7.5	12.4	13x	3-284930-4	-
-	RED	4	7.5	12.4	13x	2-284930-4	1-2311500-4
-	-	4	7.5	12.4	13x	0-284930-4	2311500-4
OBsolete	NATURAL	3	5.0	9.9	16x	5-284930-3	-
OBsolete	BLUE	3	5.0	9.9	16x	4-284930-3	-
OBsolete	BROWN	3	5.0	9.9	16x	3-284930-3	-
-	GREEN	3	5.0	9.9	16x	2-284930-3	2-2311500-3
-	-	3	5.0	9.9	16x	0-284930-3	1-2311500-3
	COLOUR CODE	HSG POS	DIM. A	DIM. B		9 TE P/N	10 TE P/N

SEE TABLE	PH. BRONZE, TIN PLATED	IDC RECEPTACLE CONTACT	2	THIS DRAWING IS A CONTROLLED DOCUMENT. DIMENSIONS: mm TOLERANCES UNLESS OTHERWISE SPECIFIED: 0 PLC ±0.2 1 PLC ±0.2 2 PLC ±0.2 3 PLC ±0.2 4 PLC ±0.2 ANGLES ±1° FINISH -
Q.TY	PBT GLASS FIBER FILLED	FEMALE HOUSING	1	
	MATERIAL	DESCRIPTION	ITEM	MATERIAL SEE TABLE
REVISIONE DELL'ASSEMBLATO (REVISION OF EACH ASSY NO)				DWN R. FABRIS 27FEB2004 CHK - APVD G. TURCO 27FEB2004 PRODUCT SPEC 108-18056 APPLICATION SPEC 114-18049-1 WEIGHT - CUSTOMER DRAWING
ELENCO DEI COMPONENTI (PARTS LIST)				NAME DUOPLUG 2.5 FEMALE CONNECTOR STANDARD VERSION (FULLY LOADED) SIZE CAGE CODE DRAWING NO 114-18049-1 RESTRICTED TO A 100779C=284930 SCALE 5:1 SHEET 1 OF 1 REV B

## X-ON Electronics

Largest Supplier of Electrical and Electronic Components

*Click to view similar products for [Headers & Wire Housings](#) category:*

*Click to view products by [TE Connectivity](#) manufacturer:*

Other Similar products are found below :

[892-18-020-10-001101](#) [58102-G61-06LF](#) [582553-1](#) [0009485154](#) [009176003701906](#) [0050291907](#) [LY20-4P-DT1-P1E-BR](#) [02.125.8002.8](#)  
[609-3404](#) [61062-3](#) [61082-181009](#) [622-3653LF](#) [63453-116](#) [636-1030](#) [636-1427](#) [636-3427](#) [636-4007](#) [641938-9](#) [641991-4](#) [644827-2](#) [65817-](#)  
[010LF](#) [65817-015LF](#) [65863-015LF](#) [66207-023LF](#) [67095-007LF](#) [67601157](#) [68645-018](#) [68648-049](#) [70.362.1628.0](#) [70-4210](#) [70-4226B](#) [70-](#)  
[4853B](#) [707-5020](#) [707-5028](#) [71.350.2428.0](#) [71918-208LF](#) [71961-016LF](#) [733-134](#) [733-162](#) [754199-000](#) [760-3052](#) [787-8014-00](#) [79531-3000](#)  
[FCN-360C032-B](#) [FCN-367T-T012/H](#) [FCN-723D010/2](#) [80.063.4001.1](#) [800-90-001-10-001000](#) [800-90-010-10-002000](#) [801-43-002-10-013000](#)