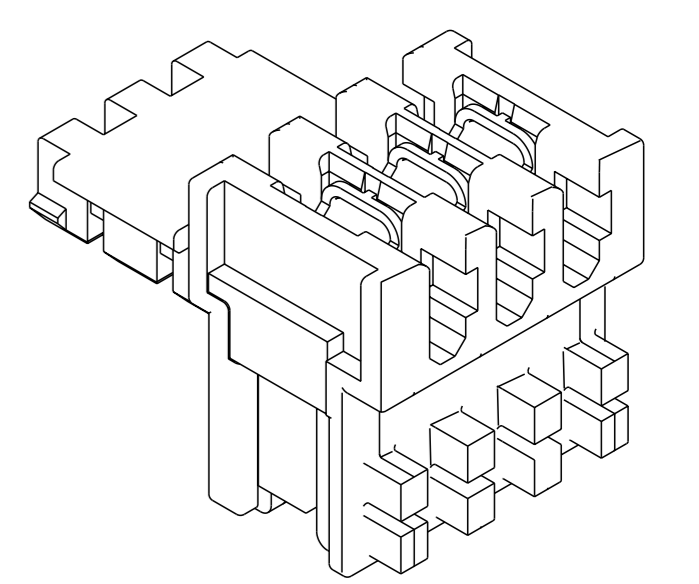
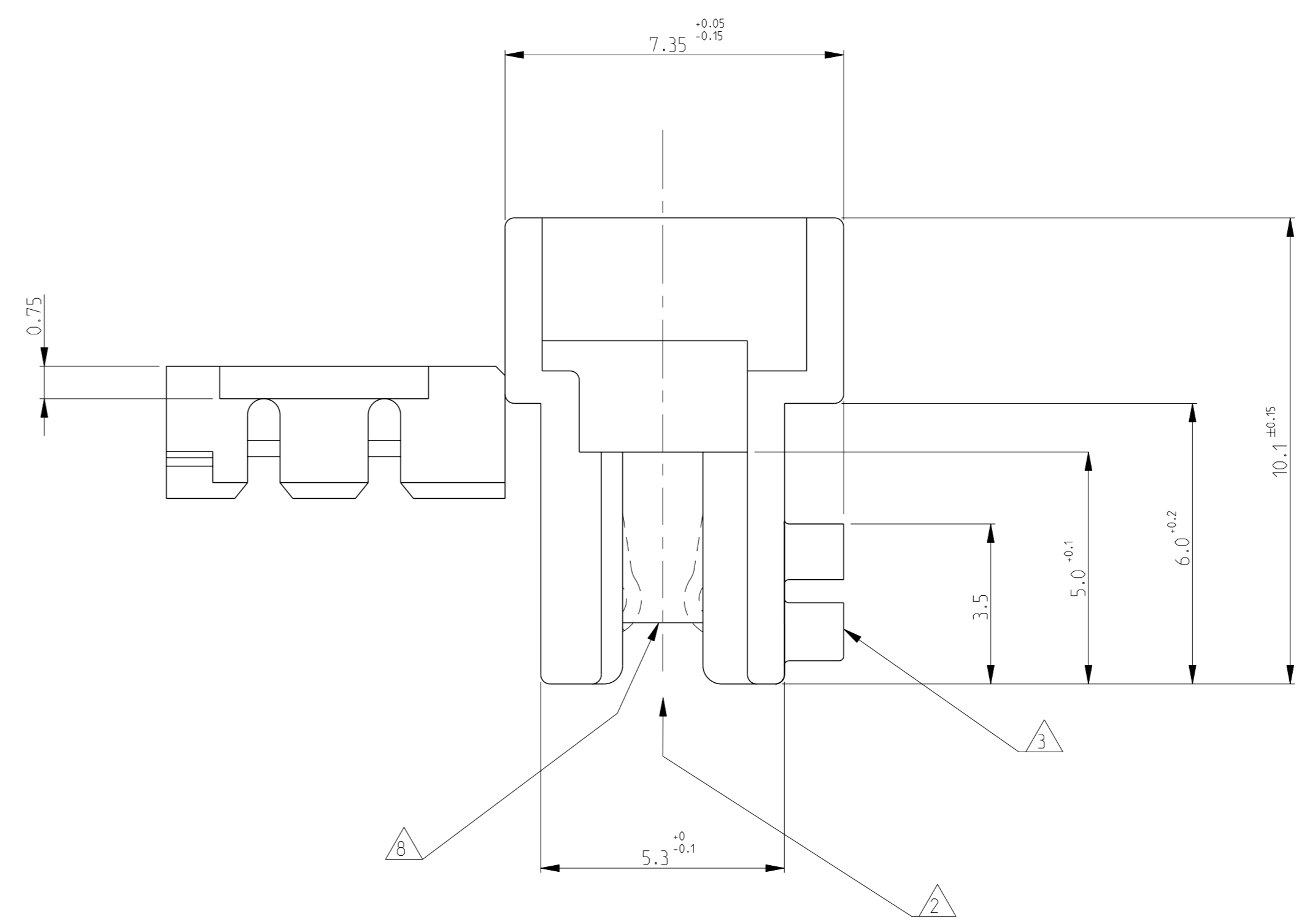
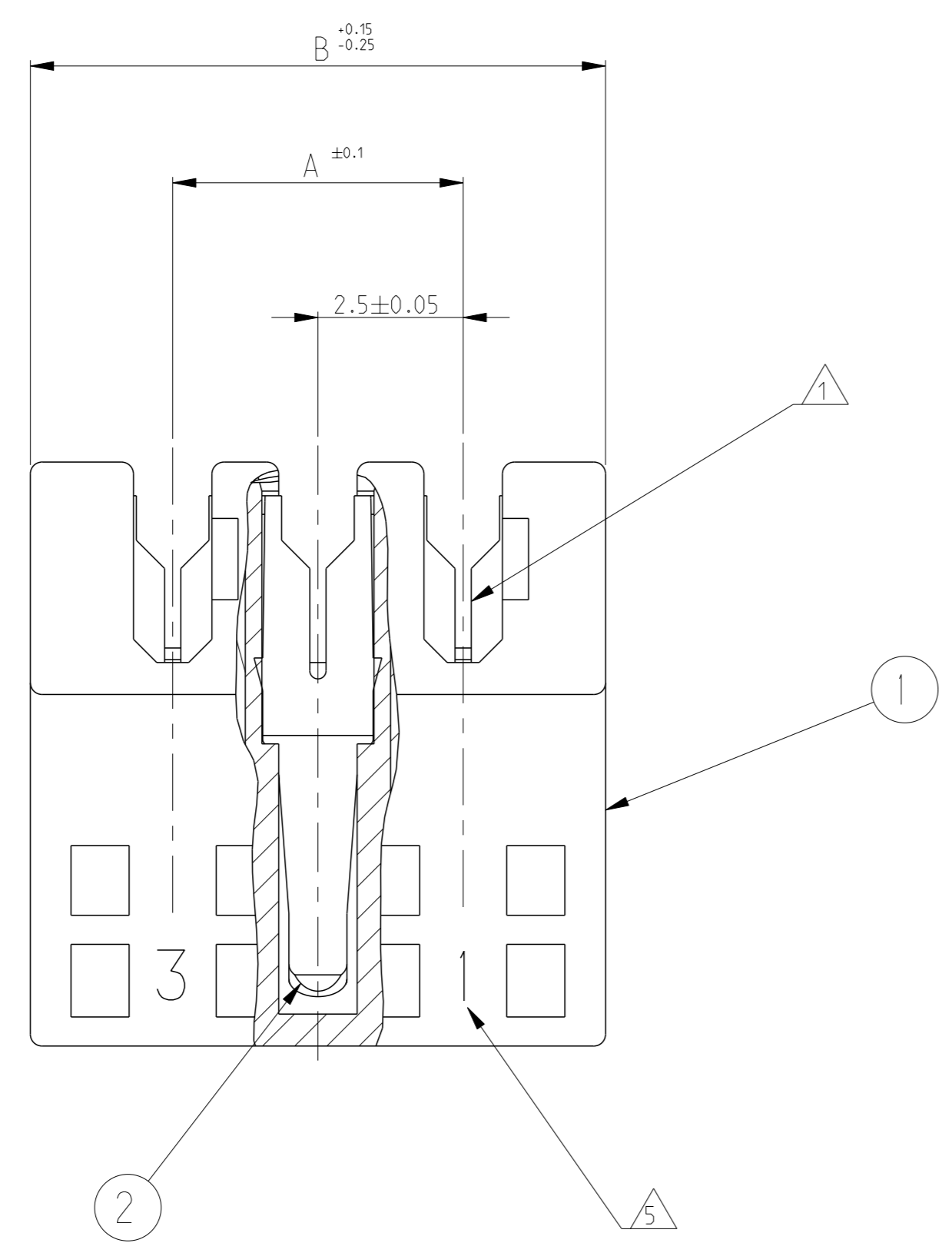
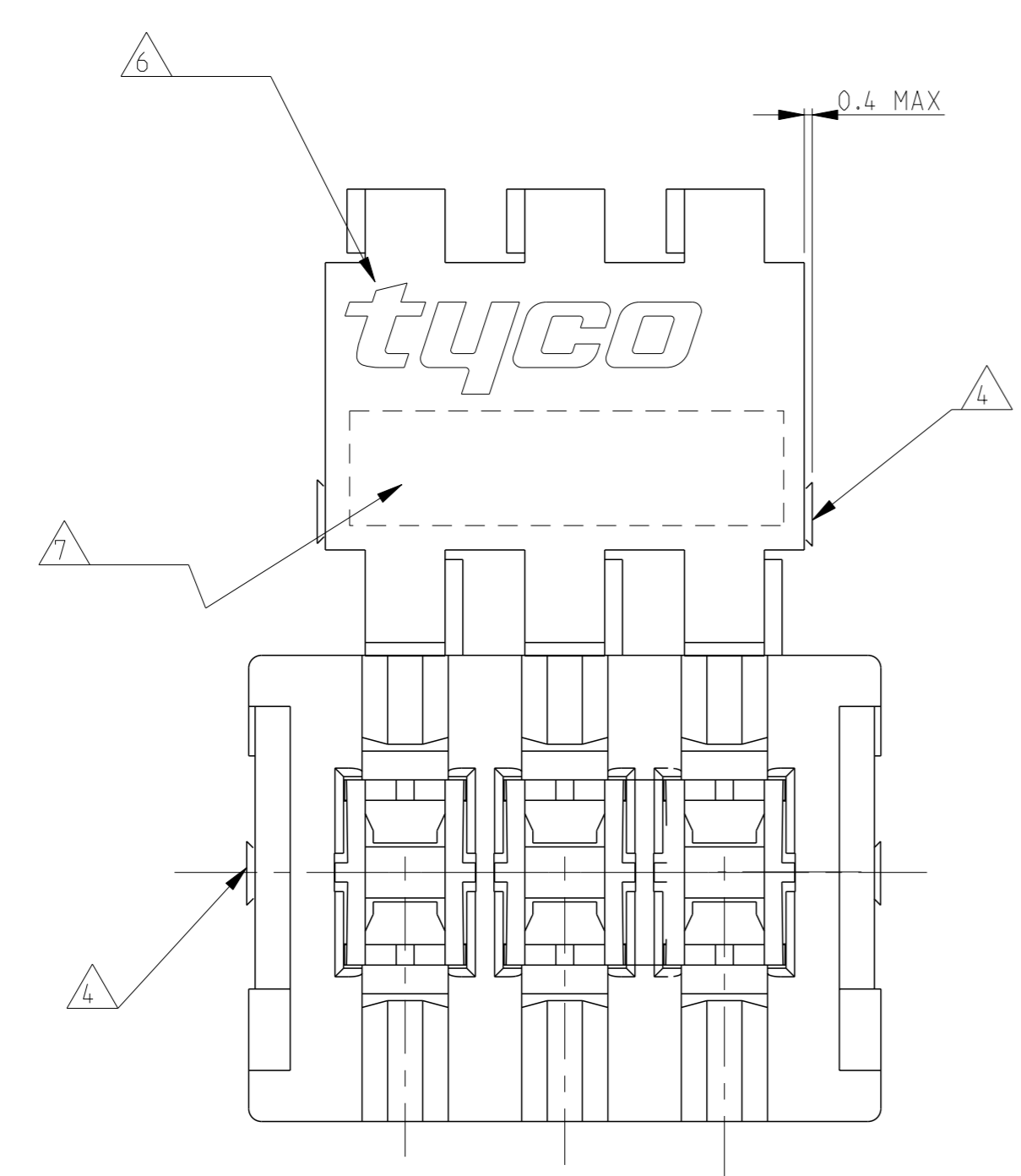


LOC		DIST		REVISIONS			
F	LT#	DESCRIPTION	DATE	OWN	APVD		
B1		ECR-19-018207	03JAN2020	LZ	FL		
B2		ECR-20-002819	14APR2020	LZ	FL		



SCALE 5:1

P/N 0-284932-3 AS SHOWN

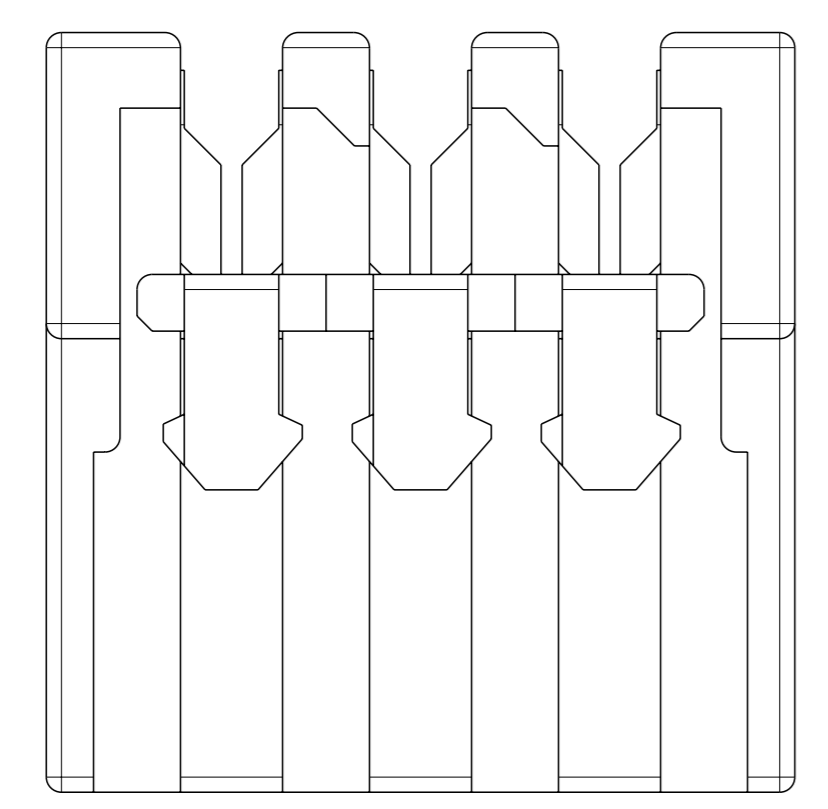
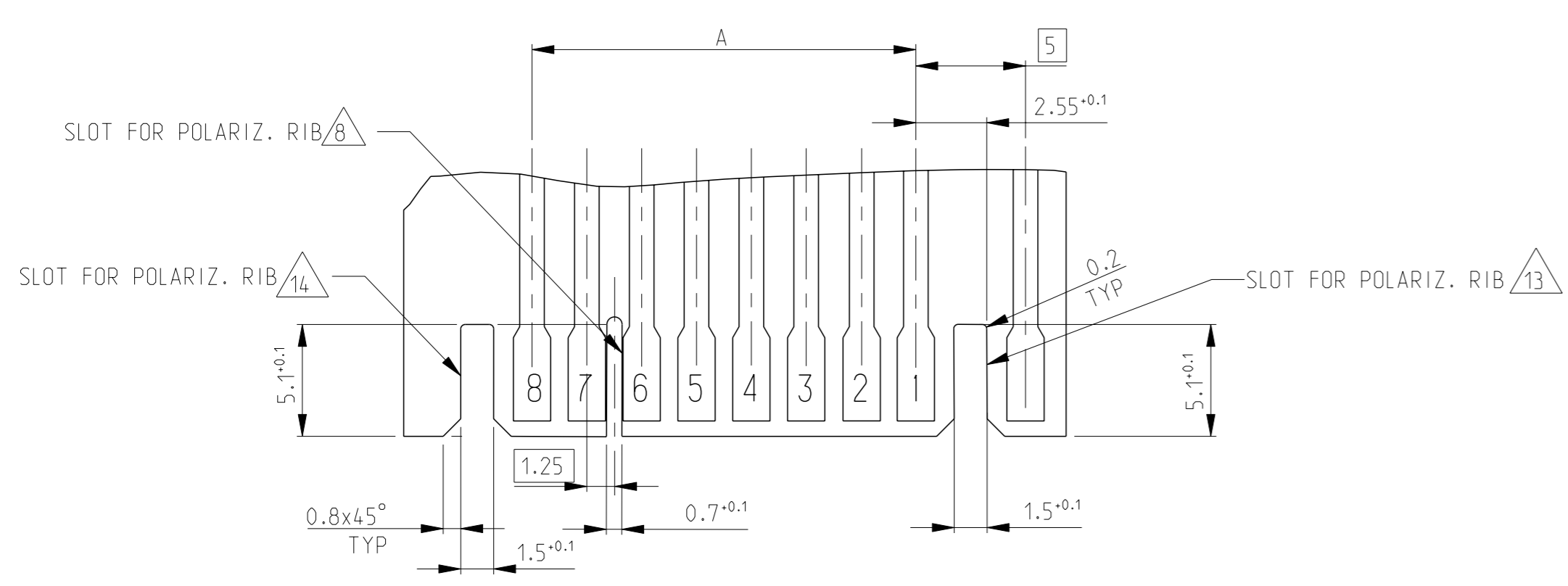


- 1 WIRE RANGE : STRANDED 0.22-0.35 mm² (INS. DIA. 1.30±0.1)
- 2 MATING PART: PCB FRAME P/N 964575 (PCB THK 1.5±0.14 COPPER CLADDING INCLUDED) SEE PRODUCT SPEC. 108-18056 FOR FRAME APPLICATION
- 3 KEYING RIBS TO BE REMOVED BY TERMINATION MACHINE
- 4 CUT OFF DIMENSION DUE TO PRODUCTION PROCESS
- 5 CIRCUIT No. IDENTIFICATION
- 6 TE TRADEMARK (OPTIONAL POSITION)
- 7 TAMPOGRAPHIC COLOUR CODE AREA (P/Ns IDENTIFICATION BEFORE CRIMPING)
- 8 POLARIZATION RIB BETWEEN CAVITIES. (SEE SHEET 2 TYPICAL POLARIZATION CUTOFF ON PCB)
- 9 PRELIMINARY PART NOT RELEASED FOR PRODUCTION.
- 10 X - CAVITY LOADED WITH CONTACT
O - CAVITY WITHOUT CONTACT
- 11 PBT GF
- 12 PBT GF. UL94-V0 & GWEPT 750 NO-FLAME. NATURAL
- 13 POLARIZATION RIB IN CAVITY 1. (SEE SHEET 2 TYPICAL POLARIZATION CUTOFF ON PCB)
- 14 POLARIZATION RIB IN LAST CAVITY. (SEE SHEET 2 TYPICAL POLARIZATION CUTOFF ON PCB)

-				THIS DRAWING IS A CONTROLLED DOCUMENT.		OWN R. FABRIS 27FEB2004		TE Connectivity	
SEE TABLE				DIMENSIONS: mm		TOLERANCES UNLESS OTHERWISE SPECIFIED:			
PH. BRONZE, TIN PLATED				IDC RECEPTACLE CONTACT		2		NAME DUOPLUG 2.5 FEMALE CONNECTOR STANDARD VERSION, KEYED (FULLY LOADED)	
PBT GLASS FIBER FILLED				FEMALE HOUSING		1		PRODUCT SPEC 108-18056	
MATERIAL				DESCRIPTION		ITEM		APPLICATION SPEC 114-18049-1	
1				REVISIONE DELL'ASSEMBLATO (REVISION OF EACH ASSY NO)				SIZE CAGE CODE DRAWING NO 00779 ©=284932	
0.24 PER ASSEMBLATO (0.24 PER ASSY)				ELENCO DEI COMPONENTI (PARTS LIST)				RESTRICTED TO CUSTOMER DRAWING	
								SCALE 10:1 SHEET 1 OF 2 REV B2	

LOC	DIST	REVISIONS					
		P	LY#	DESCRIPTION	DATE	OWN	APVD
		-		SEE SHEET 1	-	-	-

RECOMMEND TYPICAL POLARIZATION CUTOFF ON PCB



P/N 0-284932-3 AS SHOWN

BLACK	FULLY LOADED								2/3	13	30.0	34.9	4-284932-3	1-2311501-3 (A13)						
GREEN				X	X	0	X	0	X				3-284932-6	2311505-6						
BLUE	FULLY LOADED												1-284932-6	4-2311500-6						
	FULLY LOADED									X	X			2311501-2						
BLACK	FULLY LOADED								9/10	11	25.0	29.9	1-284932-1	1-2311501-1						
BLACK	FULLY LOADED								7/8	10	22.5	27.4	1-284932-0	2-2311500-0						
	FULLY LOADED													1-2311500-9						
BLACK	FULLY LOADED								2/3	9	20.0	24.9	0-284932-9	2311500-9						
	FULLY LOADED									X	X			4-2311500-8						
ORANGE	FULLY LOADED								2/3	8	17.5	22.4	2-284932-8	3-2311500-8						
BLACK									1/2 and 7/8				0-284932-8	2-2311500-8						
RED	FULLY LOADED								2/3	7	15.0	19.9	0-284932-7	1-2311500-7						
	FULLY LOADED									X	X			7-2311500-6						
BLACK	FULLY LOADED								1/2	6	12.5	17.4	2-284932-6	3-2311500-6						
RED									2/3				0-284932-6	2-2311500-6						
RED	FULLY LOADED								4/5				3-284932-5	5-2311500-5						
GREEN	FULLY LOADED								3/4	5	10.0	14.9	2-284932-5	4-2311500-5						
ORANGE	FULLY LOADED								2/3				4-284932-5	3-2311500-5						
BLACK	FULLY LOADED												0-284932-5	2-2311500-5						
BLACK	FULLY LOADED								3/4				2-284932-4	4-2311500-4						
ORANGE	FULLY LOADED								1/2	4	7.5	12.4	0-284932-4	3-2311500-4						
	FULLY LOADED									X	X			2-2311500-4						
RED	FULLY LOADED								2/3	3	5.0	9.9	3-284932-3	6-2311500-3						
GREEN													2-284932-3	5-2311500-3						
BLACK	FULLY LOADED								1/2				0-284932-3	4-2311500-3						
COLOUR CODE		11	10	9	8	7	6	5	4	3	2	1	POLARIZ. RIB LAST CAVITY	POLARIZ. RIB CAVITY 1	POLARIZ. RIB	HSG POS	DIM.A	DIM.B	TE P/N	TE P/N
		7	10	10	10	10	10	10	10	10	10	10	14	13	8				11	12

THIS DRAWING IS A CONTROLLED DOCUMENT. OWN R. FABRIS 27FEB2004
 DIMENSIONS: mm TOLERANCES UNLESS OTHERWISE SPECIFIED:
 0 PLC ±0.2
 1 PLC ±0.2
 2 PLC ±0.2
 3 PLC ±0.2
 4 PLC ±0.2
 ANGLES ±
 FINISH ±

APVD G. TURCO 27FEB2004
 PRODUCT SPEC 108-18056
 APPLICATION SPEC 116-18049-1
 WEIGHT -
 CUSTOMER DRAWING

STE TE Connectivity
 NAME DUOPLUG 2.5 FEMALE CONNECTOR STANDARD VERSION, KEYED (FULLY LOADED)
 SIZE CAGE CODE DRAWING NO. RESTRICTED TO
 A1 00779 ©=284932 -
 SCALE 10:1 SHEET 2 OF 2 REV B2

X-ON Electronics

Largest Supplier of Electrical and Electronic Components

Click to view similar products for [Headers & Wire Housings](#) category:

Click to view products by [TE Connectivity](#) manufacturer:

Other Similar products are found below :

[95000-104TRLF](#) [10135584-644402LF](#) [DF62W-EP2022PCA](#) [95000-106TRLF](#) [DF62W-2022SCA](#) [DF62W-EP2022PC](#) [2203348](#) [DF62W-2022SC](#) [1084018](#) [1029039](#) [1084017](#) [802-10-012-10-002000](#) [1112640](#) [1112639](#) [000-34000](#) [0009482033](#) [0009507031](#) [57102-S06-03LF](#) [57202-S52-04LF](#) [PCN6-15S-2.5E](#) [0039019024](#) [58102-G61-06LF](#) [582553-1](#) [0009508121](#) [0050291907](#) [018731A](#) [LY20-4P-DT1-P1E-BR](#) [02.125.8002.8](#) [60101931](#) [60598-1 \(Cut Strip\)](#) [M1625-3R/100](#) [61062-3](#) [61082-181009](#) [636-1427](#) [638009-1](#) [641938-9](#) [641991-4](#) [644168-1](#) [647662-1](#) [65039-019ELF](#) [65817-002LF](#) [65817-015LF](#) [65863-015LF](#) [66207-023LF](#) [67016-026LF](#) [67046-001LF](#) [67095-007LF](#) [68002-116](#) [68016-236H](#) [68648-049](#)