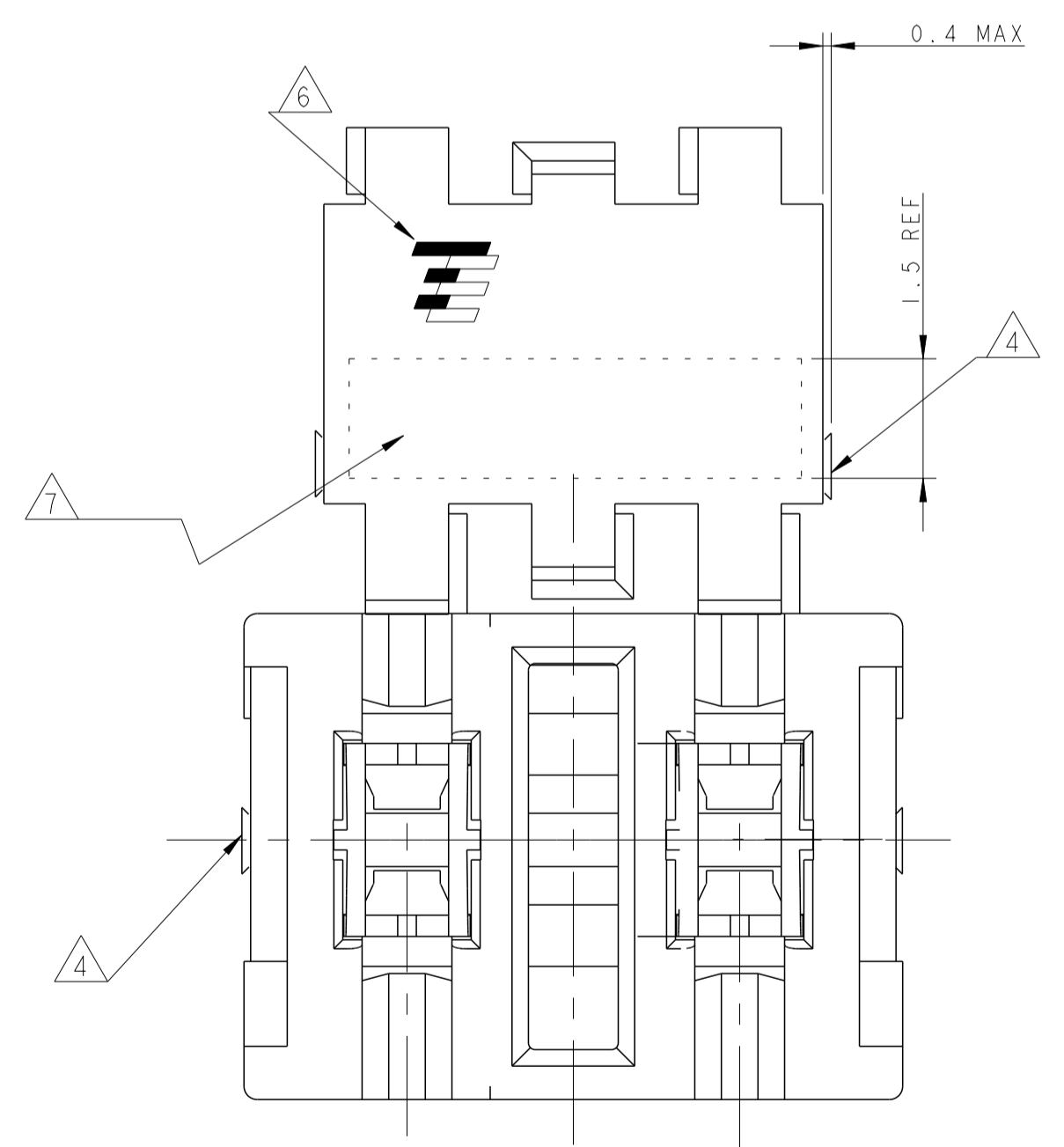
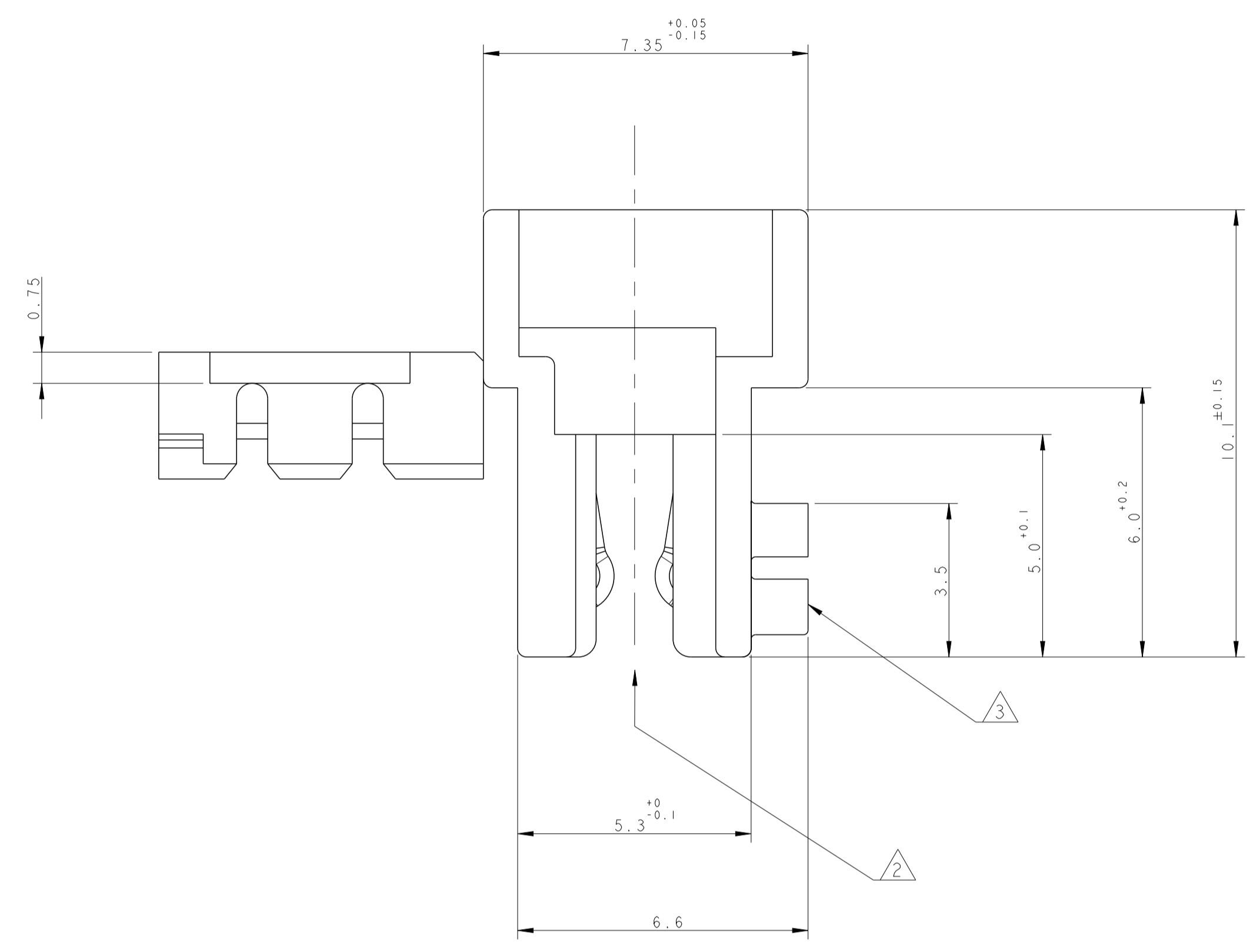
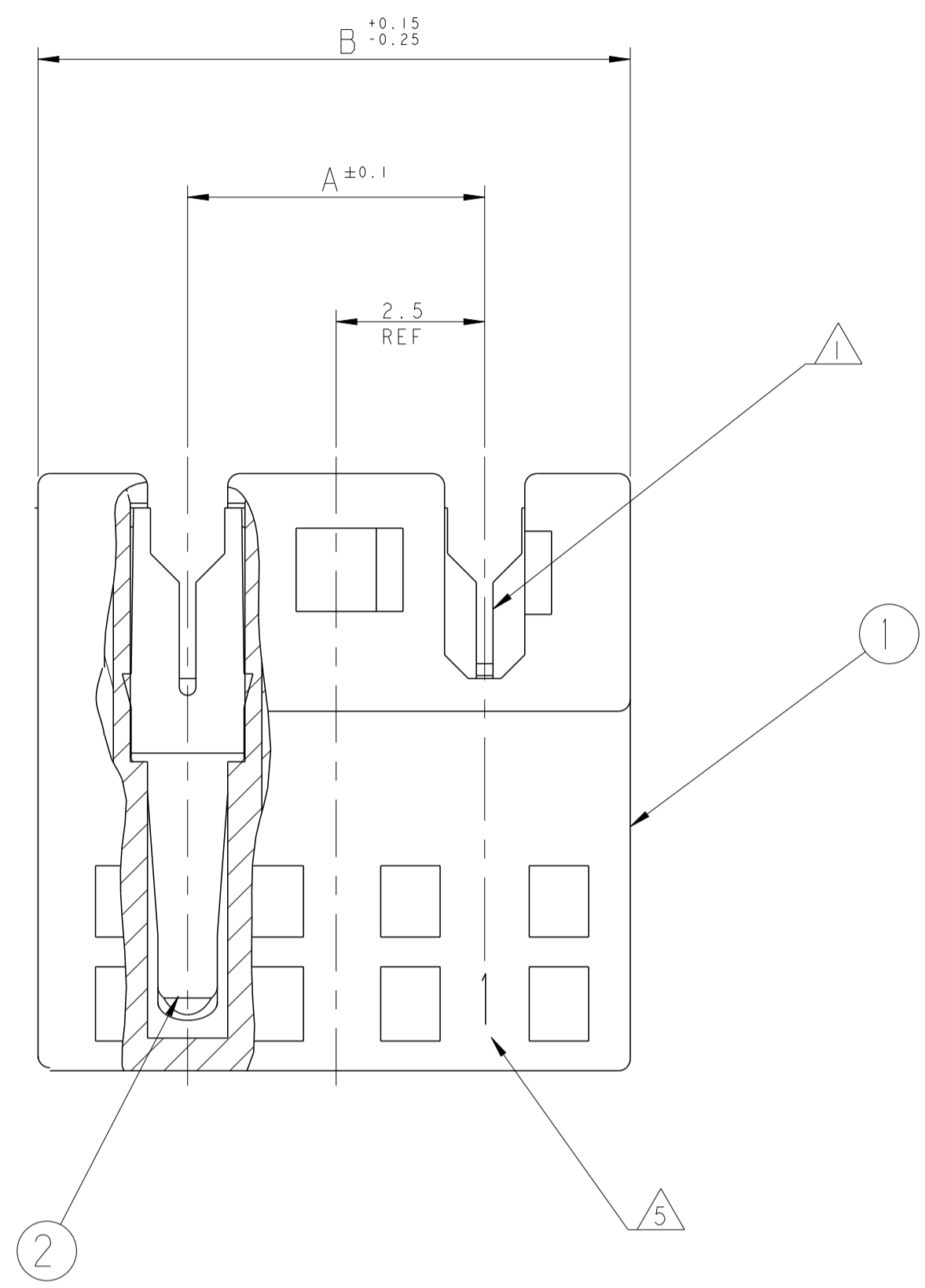
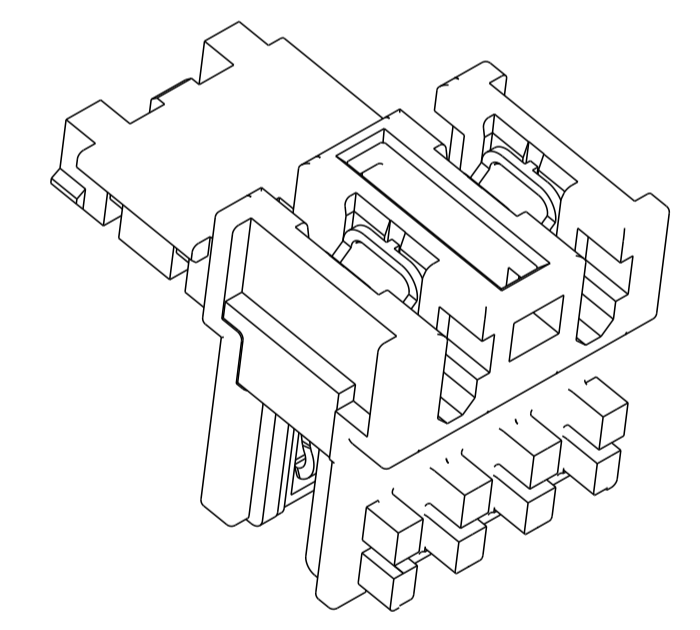


REVISIONS				
P.	LTN.	DESCRIPTION	DATE	APVD.
B6	ECR-16-016334		18NOV2016	FV RR
B7	ECR-17-009651		19JUL2017	RS DC
B8	REVISED PER ECR-18-017204		21NOV2018	BW DC
B9	ECR-19-009970		22JUL2019	SM FL



ISO VIEW



- ① WIRE RANGE : STRANDED 0.22-0.35 mm² (INS. DIA. 1.30±0.1)
- ② MATING PART: TAB HEADER P/Ns 1971921 AND EQUIVALENT;
PCB FRAME P/N 964575 (PCB THK 1.5±0.14 COPPER CLADDING INCLUDED)
SEE PRODUCT SPEC. 108-18056 FOR FRAME APPLICATION
- ③ KEYING RIBS TO BE REMOVED BY TERMINATION MACHINE
- ④ CUT OFF DIMENSION DUE TO PRODUCTION PROCESS
- ⑤ CIRCUIT No. IDENTIFICATION
- ⑥ TE TRADEMARK (OPTIONAL POSITION)
- ⑦ TAMPOGRAPHIC COLOUR CODE AREA
(P/Ns IDENTIFICATION BEFORE CRIMPING)
- ⑧ CAVITIES 1 AND 3 LOADED WITH CONTACT
- ⑨ PBT GF
- ⑩ PBT GF, UL94-V0 & GWEPT 750 NO-FLAME, NATURAL

COLOUR CODE	HSG POS.	DIM. A	DIM. B	TE P/N	TE P/N
BLUE				3-284970-3	3-2311509-3
GREEN	3	5.0	9.9	2-284970-3	2-2311509-3
ORANGE				1-284970-3	1-2311509-3
-				0-284970-3	2311509-3

Q.TY	MATERIAL	DESCRIPTION	ITEM
SEE TABLE	PH. BRONZE, TIN PLATED	IDC RECEPTACLE CONTACT	2
SEE TABLE	PBT GLASS FIBER FILLED	FEMALE HOUSING	1

THIS DRAWING IS A CONTROLLED DOCUMENT.		DWN R. FABRIS 17 MAY 05	TE Connectivity NAME DUOPLUG 2.5 FEMALE CONNECTOR STANDARD VERSION, 2 POS. (HIGHER COVER RETENTION)
DIMENSIONS: mm		CHK -	
TOLERANCES UNLESS OTHERWISE SPECIFIED:		APVD G. TURCO 17 MAY 05	PRODUCT SPEC 108-18056 APPLICATION SPEC 114-18049-1 WEIGHT - CUSTOMER DRAWING
0 PLC ±0.2 1 PLC ±0.2 2 PLC ±0.2 3 PLC ± 4 PLC ± ANGLES ±1° FINISH -		SIZE CAGE CODE DRAWING NO A100779C=284970 SCALE 5:1 SHEET 1 OF 1 REV B9	

X-ON Electronics

Largest Supplier of Electrical and Electronic Components

Click to view similar products for [Automotive Connectors](#) category:

Click to view products by [TE Connectivity](#) manufacturer:

Other Similar products are found below :

[003-018-000](#) [60403001](#) [60993906-B](#) [M902-2131](#) [M902-2161](#) [72.330.1035.1](#) [73.353.4028.0](#) [F119300-B](#) [F166900](#) [F258300-B](#) [F358300-B](#)
[F407400](#) [F444110](#) [F487000](#) [F509500B-B](#) [827153-1](#) [8N1515-32-24P](#) [9-1326729-8](#) [925474-1](#) [928905-1](#) [964562-4](#) [968782-1](#) [GT17SA-8DS-](#)
[HU](#) [98891-1012](#) [98947-1016](#) [12004147](#) [12004475-L](#) [12010290](#) [12010309-B](#) [12015454](#) [12020219-B](#) [12020308](#) [12041318-B](#) [12052225-L](#)
[12052466](#) [12059125](#) [12064869](#) [12004327-B](#) [12010503-B](#) [12015308](#) [12015384](#) [12015909](#) [1-21030-1](#) [12041254](#) [12041318](#) [12047946-B](#)
[12047957](#) [12047957-L](#) [12059473](#) [12066261](#)