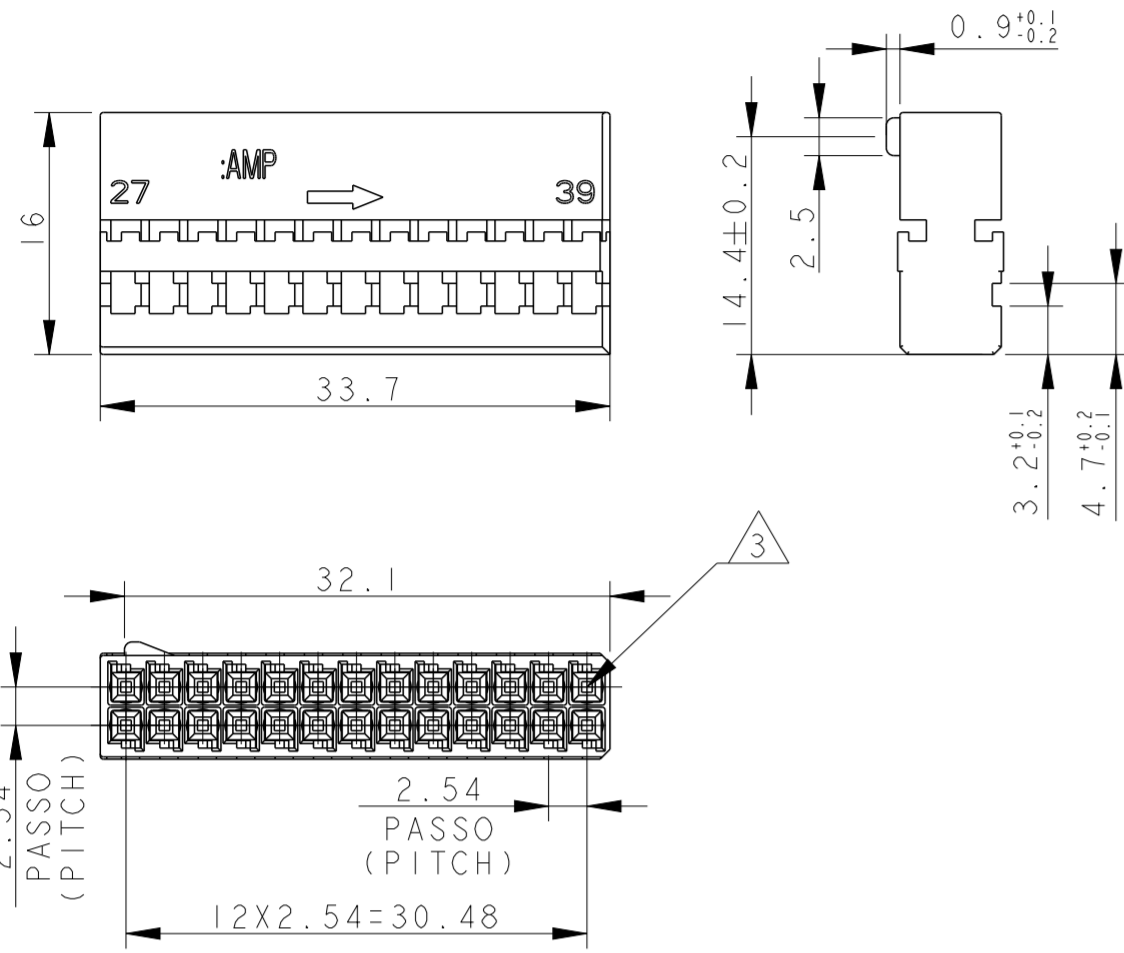
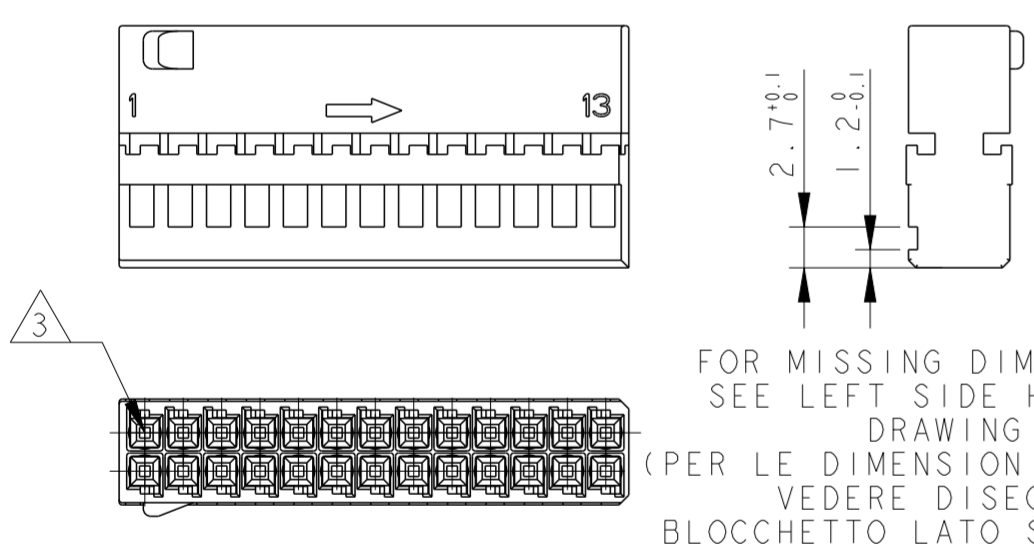


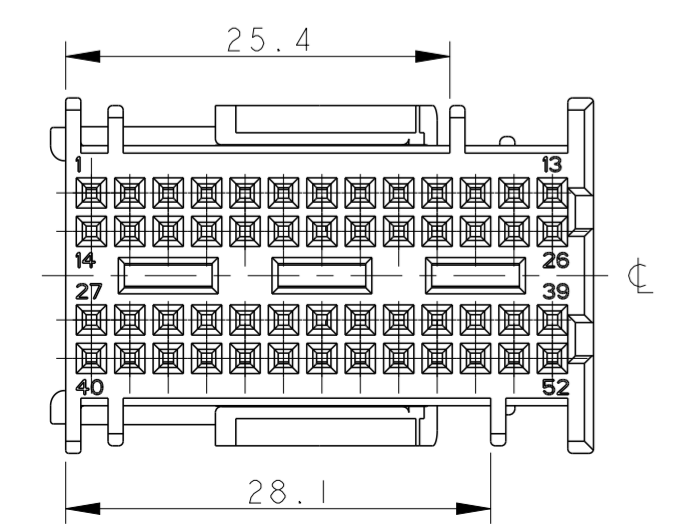
DIMENSIONS FOR LEFT SIDE HOUSING  
COLOR BLACK - POS. 27-52 - ITEM 4  
(DIMENSIONI BLOCCHETTO LATO SINISTRO  
COLORE NERO - VIE 27-52 - COMPONENTE No 4)



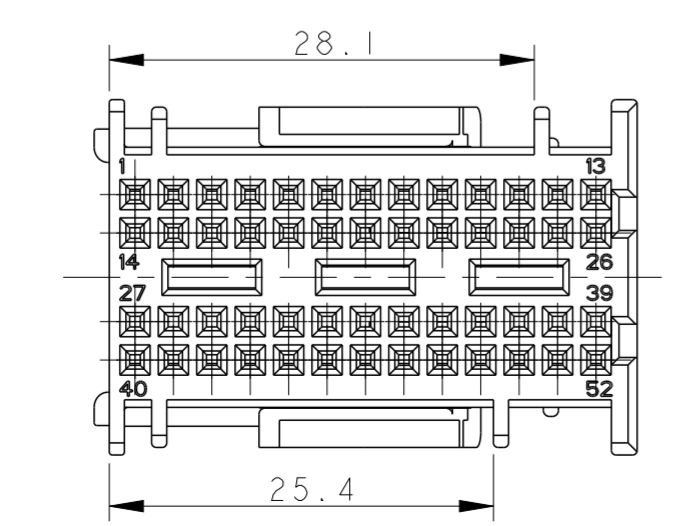
DIMENSIONS FOR RIGHT SIDE HOUSING  
COLOR GRAY - POS. 1-26 - ITEM 5  
(DIMENSIONI BLOCCHETTO LATO DESTRO  
COLORE GRIGIO - VIE 1-26 - COMPONENTE No 5)



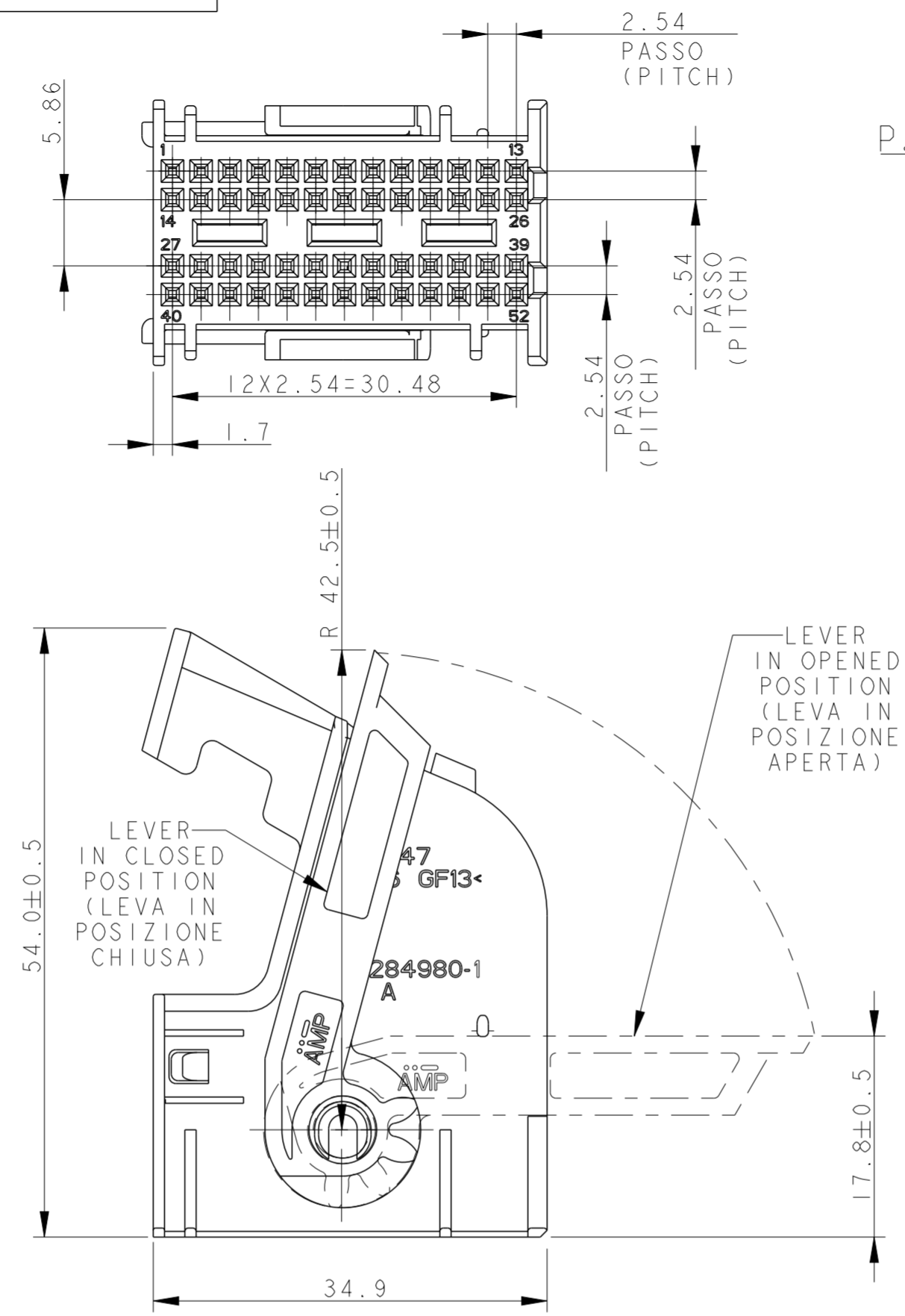
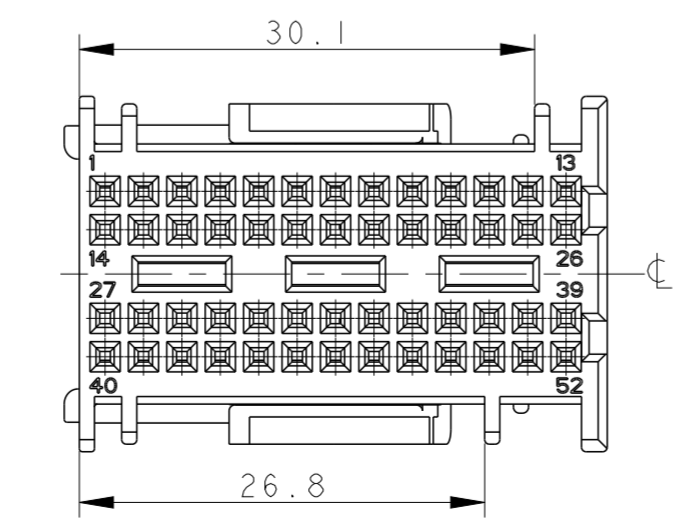
MECHANICAL CODING DIMENSIONS  
P.N. 284972-1 - COLOR BLACK  
(DIMENSIONI POLARIZZAZIONE  
MECCANICA P.N. 284972-1  
COLORE NERO)



MECHANICAL CODING DIMENSIONS  
P.N. 284972-2 - COLOR BLUE  
(DIMENSIONI POLARIZZAZIONE  
MECCANICA P.N. 284972-2  
COLORE BLU)



MECHANICAL CODING DIMENSIONS  
P.N. 284972-3 - COLOR GREY  
(DIMENSIONI POLARIZZAZIONE  
MECCANICA P.N. 284972-3  
COLORE GRIGIO)



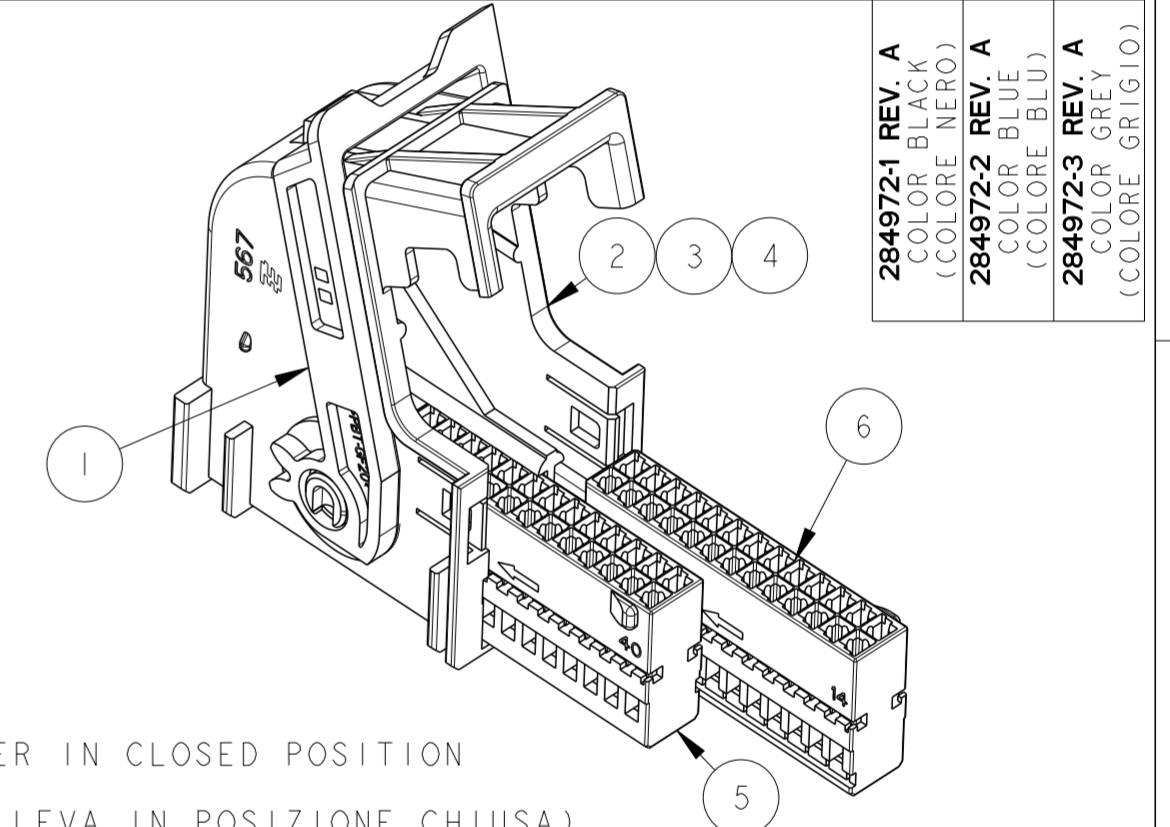
P.N. 284972-1 AS SHOWN  
COME MOSTRATO

NOTES

- 1) THE PRODUCT IS SUPPLIED WITH LEVER IN CLOSED POSITION  
(IL PRODOTTO VIENE FORNITO CON LA LEVA IN POSIZIONE CHIUSA)
- 2) INTERFACE DRAWING: SEE SHEET 2 of 2  
(DISEGNO DI INTERFACCIA: VEDERE FOGLIO 2 di 2)
- 3) NUMBER 26+26 CAVITIES SUITABLE FOR MICRO QUADLOCK SYSTEM FEMALE CONTACTS  
P.N. 928999-1 WIRE RANGE 0.25-0.5 mm<sup>2</sup> AND P.N. 963715-1 WIRE SECTION 0.75 mm<sup>2</sup>  
(NUMERO 26+26 CAVITA' PER CONTATTI FEMMINA MICRO QUADLOCK SYSTEM  
P.N. 928999-1 RANGO FILO 0.25-0.5 mm<sup>2</sup> E P.N. 963715-1 SEZIONE FILO 0.75 mm<sup>2</sup>)
- 4) NUMBER 1 SHELL + NUMBER 2 HOUSINGS ARE SUPPLIED IN KIT WITH EQUIVALENT NUMBER OF  
PIECES FOR EACH COMPONENT IN A BOX  
(NUMERO 1 CORAZZA + NUMERO 2 BLOCCHETTI SONO FORNITI IN KIT CON PARI NUMERO DI PEZZI  
PER SCATOLA)

LOC	DIST	REVISIONS					
		P	LTR	DESCRIPTION	DATE	DWN	APVD
			I	UPDATED DRAWING, WAS 03-51083 (AGGIORNATO DISEGNO, ERA 03-51083)	11SEP2003	M.B.	O.C.
			A	FIRST ISSUE (PRIMA EM.) ET00-0077-04	02APR2004	M.B.	O.C.
			A1	REL. FOR PRODUCTION (ET00-0131-04)	14MAR2005	M.B.	O.C.
			A2	ECR-12-019170	16NOV2012	M.P.	M.G.
			A3	REVISED PER ECO-18-007863	21MAY2018	AP	VN

PART LIST (LISTA COMPONENTI)			
ITEM (NO.)	DESCRIPTION (DESCRIZIONE)	MATERIAL (MATERIALE)	QUANTITY REQUIRED PER ASSEMBLY (QUANTITA' RICHIESTA PER ASSEMBLATO)
1	LEVER (LEVA)	PA66 GF COLOR RED (COLORE ROSSO)	1 1 1
2	COVER (CORAZZA)	PA66 GF COLOR BLACK (COLORE NERO)	1
3	COVER (CORAZZA)	PA66 GF COLOR BLUE (COLORE BLU)	1
4	COVER (CORAZZA)	PA66 GF COLOR GREY (COLORE GRIGIO)	1
5	REC. HOUSING 26 POS. (BLOCCHETTO PORTA FEMMINE 26 VIE)	PBT GF COLOR BLACK (COLORE NERO)	1 1 1
6	REC. HOUSING 26 POS. (BLOCCHETTO PORTA FEMMINE 26 VIE)	PBT GF COLOR GRAY (COLORE GRIGIO)	1 1 1



284972-1 REV. A COLOR BLACK (COLORE NERO)	284972-2 REV. A COLOR BLUE (COLORE BLU)	284972-3 REV. A COLOR GREY (COLORE GRIGIO)
---	---	--

THIS DRAWING IS A CONTROLLED DOCUMENT.

DIMENSIONS: mm

TOLERANCES UNLESS OTHERWISE SPECIFIED:

0 PLC	±0.3
1 PLC	±0.3
2 PLC	±0.3
3 PLC	±
4 PLC	±
ANGLES	±2°

MATERIAL: SEE TABLE (VEDI TABELLA)

FINISH: SEE TABLE (VEDI TABELLA)

DWN: M. BARBERIS 17 JUN 03  
CHK: O. CANUTO 11 SEP 2003  
APVD: -

PRODUCT SPEC: 108-20258

APPLICATION SPEC: -

WEIGHT: -

CUSTOMER DRAWING

NAME: KIT ASS'Y FOR 52 (26+26) POSITIONS MQS FEMALE CONNECTOR FOR BODY COMPUTER

SIZE: A2 CAGE CODE: 0779 DRAWING NO: C-284972 RESTRICTED TO

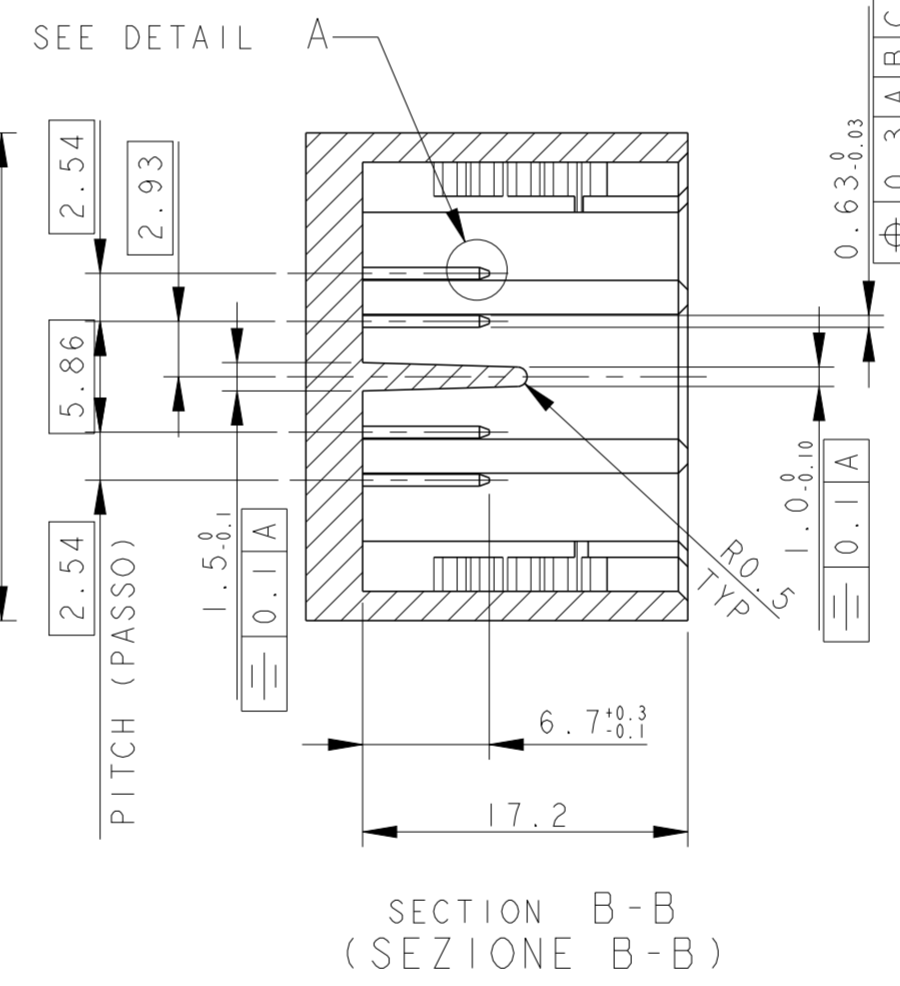
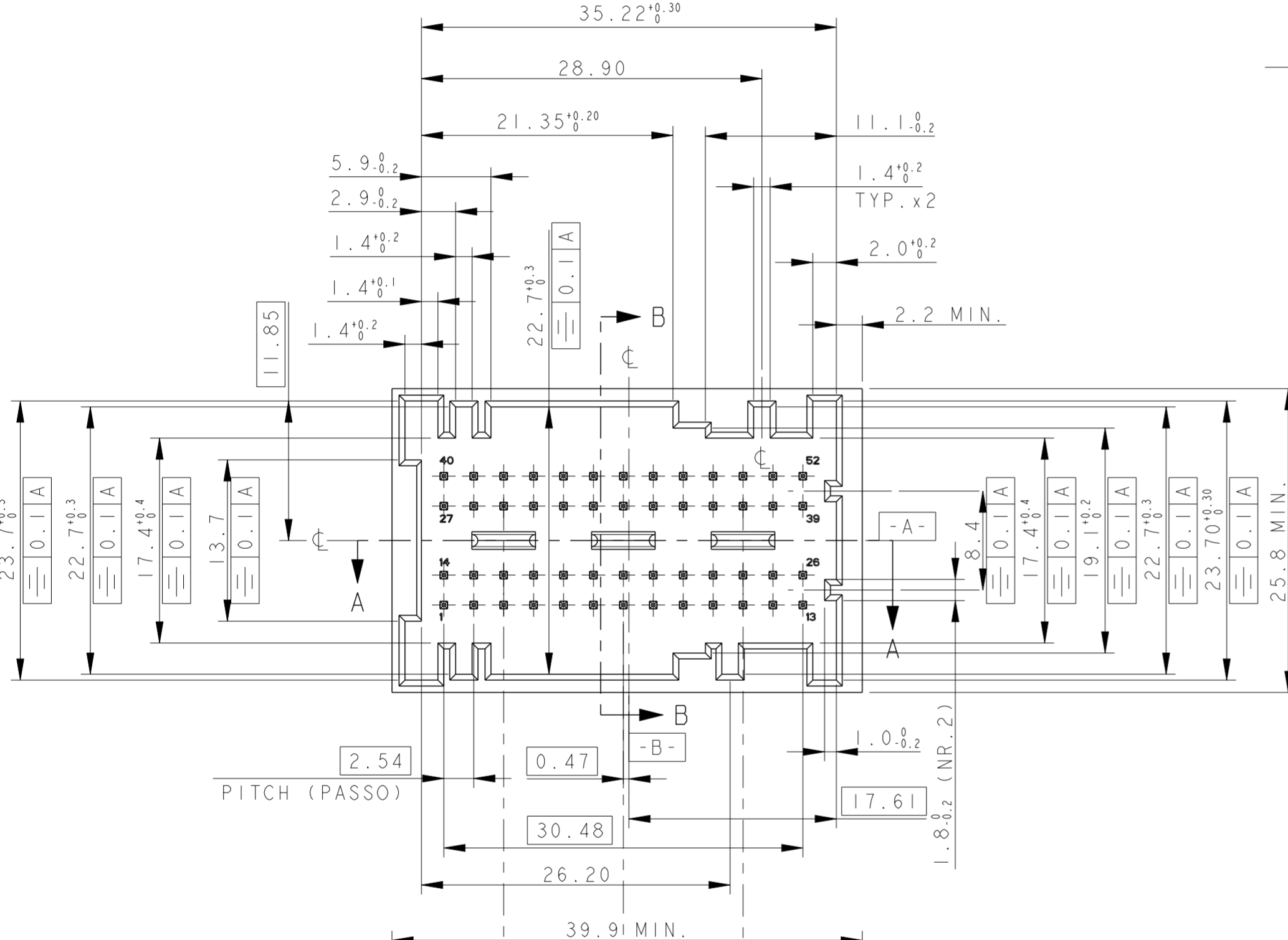
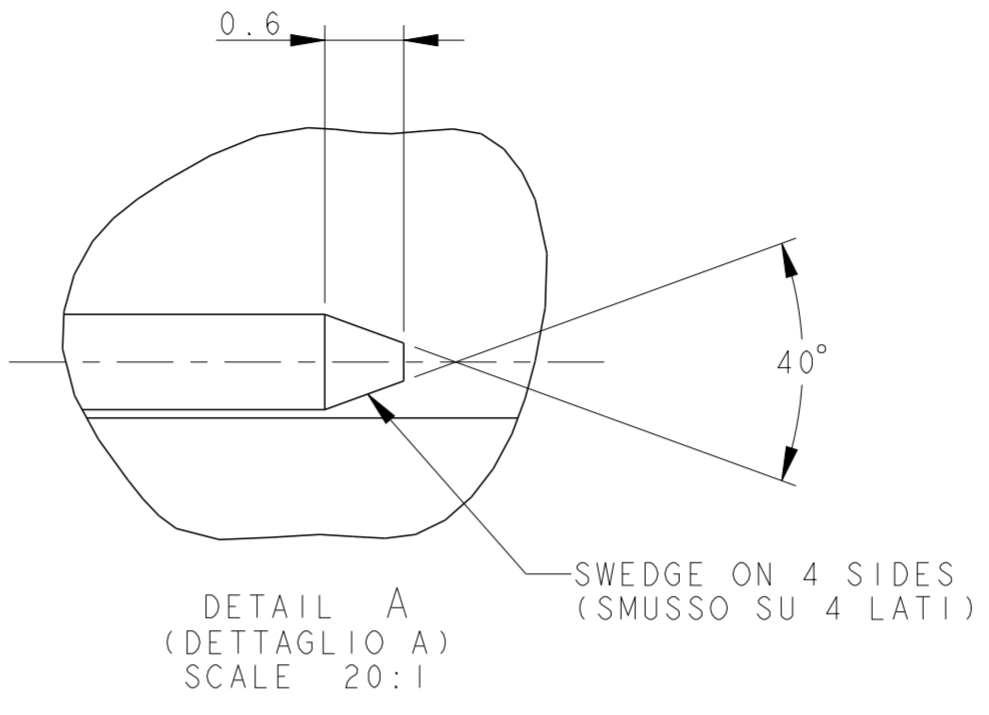
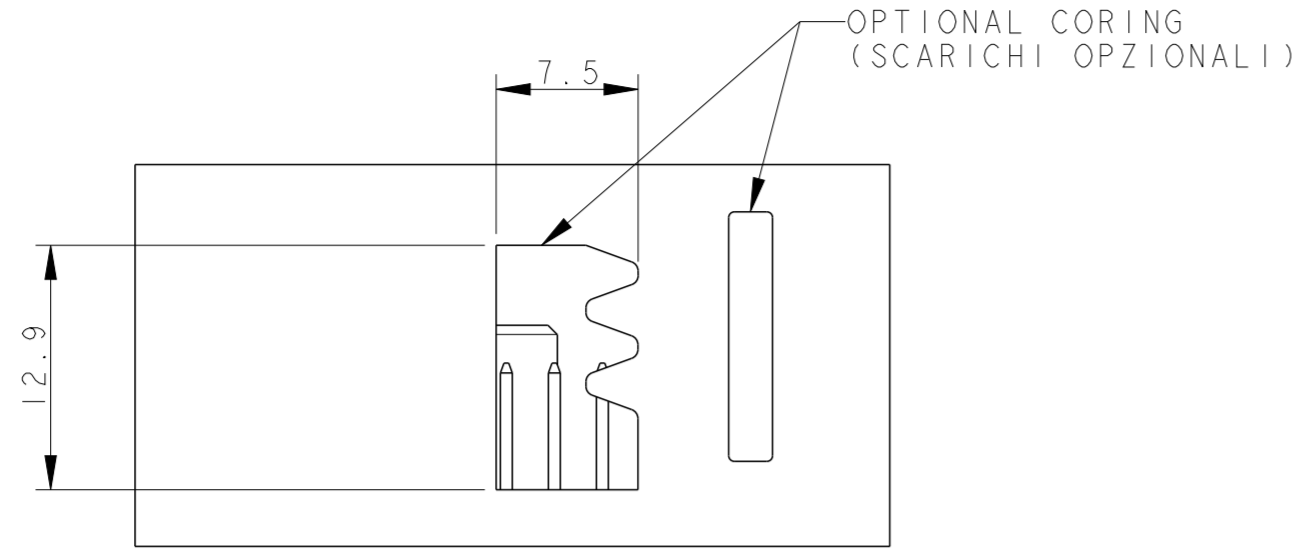
SCALE: 2:1 SHEET 1 OF 2 REV: A3

TE Connectivity

LOC		DIST		REVISIONS			
P	LTR	DESCRIPTION	DATE	DWN	APVD		
-	-	SEE SHEET 1	-	-	-		

**NOTES (NOTE):**

- 5) HOUSING MATERIAL: PA 66 (OR PBT) 10% G.F. MIN.  
(MATERIALE DIMA: PA 66 (O PBT) 10% CARICA VETRO MIN.)
- 6) CONTACT MATERIAL: CuFe2 (OR BRASS) TIN PLATED 2-4µm THK.  
(MATERIALE CONTATTO: CuFe2 (O OTTONE) STAGNATO; SPESSORE STAGNO: 2-4µm)



P/N	POLARIZATION KEY DETAIL (RAPPRESENTAZIONE POLARIZZAZIONI)	PLUG CONNECTOR
06-51061-1		284972-1 (BLACK)
	SEE BESIDE (VEDERE ACCANTO)	
06-51061-2		284972-2 (BLUE)
	DIFFERS FROM P/N 06-51061-1 FOR SHOWN DETAILS (DEFFERISCE DAL P/N 06-51061 PER I DETTAGLI IN FIGURA)	
06-51061-3		284972-3 (GREY)
	PRELIMINARY	

INTERFACE DRAWING

THIS DRAWING IS A CONTROLLED DOCUMENT.		DWN M. BARBERIS 17JUN03	TE Connectivity	
		CHK O. CANUTO 11SEP2003		
DIMENSIONS: mm	TOLERANCES UNLESS OTHERWISE SPECIFIED:	APVD -	NAME KIT ASS'Y FOR 52 (26+26) POSITIONS MQS FEMALE CONNECTOR FOR BODY COMPUTER	
	0 PLC ±0.3 1 PLC ±0.3 2 PLC ±0.3 3 PLC ±0.3 4 PLC ±	PRODUCT SPEC 108-20258	SIZE	RESTRICTED TO
MATERIAL	FINISH ±2°	APPLICATION SPEC -	CAGE CODE A200779	DRAWING NO C-284972
		WEIGHT -	SCALE 2:1	SHEET 2 OF 2
		CUSTOMER DRAWING	REV A3	

## X-ON Electronics

Largest Supplier of Electrical and Electronic Components

*Click to view similar products for [Automotive Connectors](#) category:*

*Click to view products by [TE Connectivity](#) manufacturer:*

Other Similar products are found below :

[003-018-000](#) [60403001](#) [60993906-B](#) [M902-2131](#) [M902-2161](#) [72.330.1035.1](#) [73.353.4028.0](#) [F119300-B](#) [F166900](#) [F258300-B](#) [F358300-B](#)  
[F407400](#) [F444110](#) [F487000](#) [F509500B-B](#) [827153-1](#) [8N1515-32-24P](#) [9-1326729-8](#) [925474-1](#) [928905-1](#) [964562-4](#) [968782-1](#) [GT17SA-8DS-](#)  
[HU](#) [98891-1012](#) [98947-1016](#) [12004147](#) [12004475-L](#) [12010290](#) [12010309-B](#) [12015454](#) [12020219-B](#) [12020308](#) [12041318-B](#) [12052225-L](#)  
[12052466](#) [12059125](#) [12064869](#) [12004327-B](#) [12010503-B](#) [12015308](#) [12015384](#) [12015909](#) [1-21030-1](#) [12041254](#) [12041318](#) [12047946-B](#)  
[12047957](#) [12047957-L](#) [12059473](#) [12066261](#)