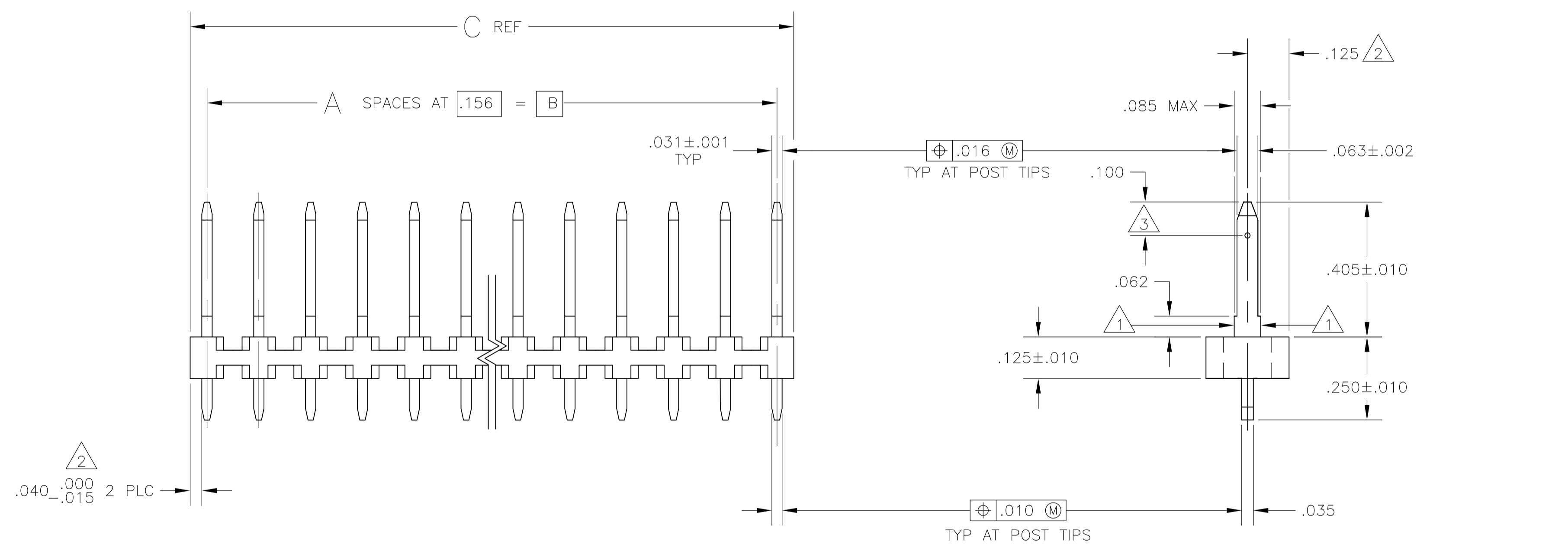
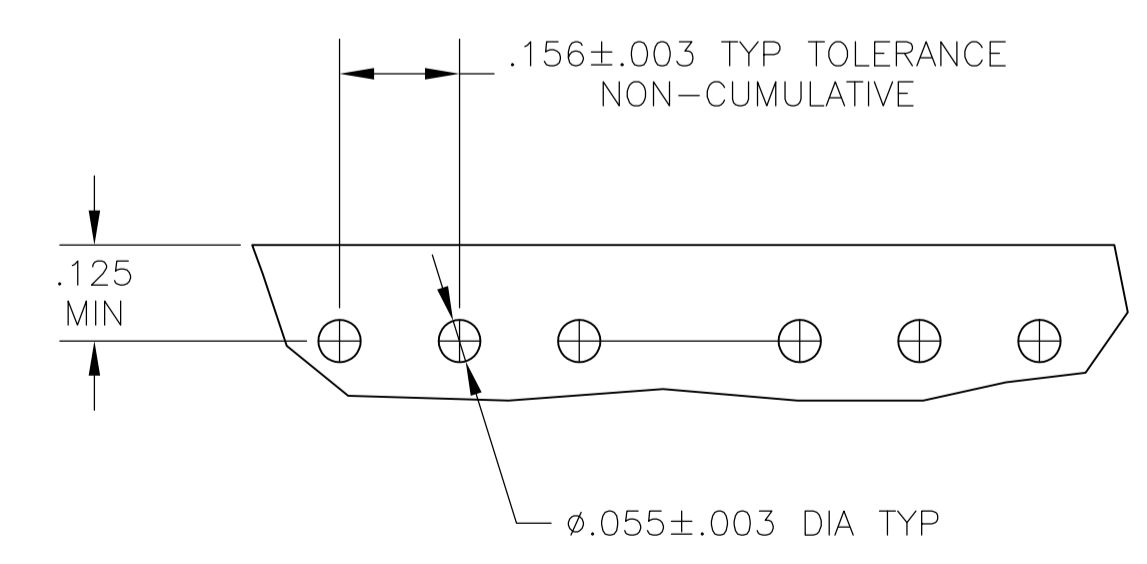


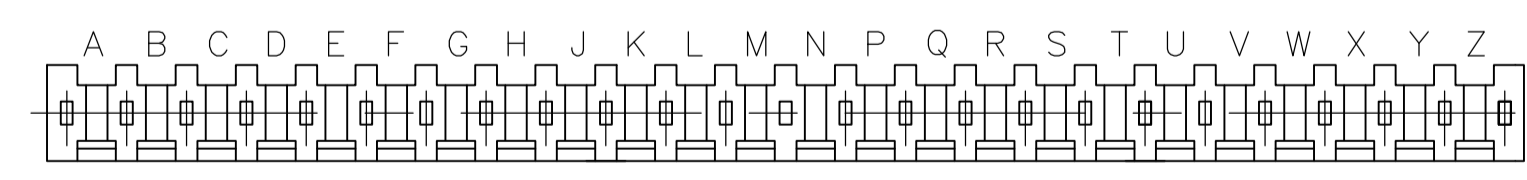
- 1 THESE SURFACES WILL NOT BE PLATED
- 2 THE NOTED DIMENSIONS APPLY AT THE INTERSECTION OF THE POST AND THE HOUSING
- 3 POINT OF MEASUREMENT FOR PLATING THICKNESS
- 4 OBSOLETE PARTS: OBSOLETE CIS STREAMLINING PER D.RENAUD/D.SINISI



2  
.040 .000 .015 2 PLC



RECOMMENDED HOLE LAYOUT



KEYWAY LOCATIONS (REF-SEE TABLE)  
(MATING LENGTH OF POST ON NEAR SIDE)  
SCALE: 2:1

|   |          |                         |              |       |       |    |            |                      |
|---|----------|-------------------------|--------------|-------|-------|----|------------|----------------------|
| 4 | OBSOLETE | -                       | 0            | 5.415 | 5.304 | 34 | 35         | 3-85829-5            |
|   | OBSOLETE | -                       | 0            | 5.259 | 5.148 | 33 | 34         | 3-85829-4            |
|   | OBSOLETE | -                       | 0            | 5.103 | 4.992 | 32 | 33         | 3-85829-3            |
|   | OBSOLETE | -                       | 0            | 4.947 | 4.836 | 31 | 32         | 3-85829-2            |
|   | OBSOLETE | -                       | 0            | 4.791 | 4.680 | 30 | 31         | 3-85829-1            |
|   | OBSOLETE | -                       | 0            | 4.635 | 4.524 | 29 | 30         | 3-85829-0            |
|   | OBSOLETE | -                       | 0            | 4.479 | 4.368 | 28 | 29         | 2-85829-9            |
|   | OBSOLETE | -                       | 0            | 4.323 | 4.212 | 27 | 28         | 2-85829-8            |
|   | OBSOLETE | -                       | 0            | 4.167 | 4.056 | 26 | 27         | 2-85829-7            |
|   | OBSOLETE | -                       | 0            | 4.011 | 3.900 | 25 | 26         | 2-85829-6            |
| 4 | OBSOLETE | A,C,E,H,K,M,Q,S,U,W,Y   | 11           | 3.855 | 3.744 | 24 | 25         | 2-85829-5            |
|   |          | A,C,E,G,J,L,N,Q,S,U,W,Y | 12           | 3.699 | 3.588 | 23 | 24         | 2-85829-4            |
|   |          | A,D,G,K,N,R,U,X         | 8            | 3.543 | 3.432 | 22 | 23         | 2-85829-3            |
| 4 | OBSOLETE | A,C,E,G,J,L,N,Q,S,U,W   | 11           | 3.387 | 3.276 | 21 | 22         | 2-85829-2            |
|   |          | A,D,G,K,N,R,U           | 7            | 3.231 | 3.120 | 20 | 21         | 2-85829-1            |
|   |          | A,C,E,G,J,L,N,Q,S,U     | 10           | 3.075 | 2.964 | 19 | 20         | 2-85829-0            |
| 4 | OBSOLETE | B,D,F,J,L,N,Q,S         | 8            | 2.919 | 2.808 | 18 | 19         | 1-85829-9            |
|   |          | A,D,F,J,M,P,S           | 7            | 2.763 | 2.652 | 17 | 18         | 1-85829-8            |
|   |          | A,D,G,K,N,R             | 6            | 2.607 | 2.496 | 16 | 17         | 1-85829-7            |
| 4 | OBSOLETE | A,C,E,G,J,L,N,Q         | 8            | 2.451 | 2.340 | 15 | 16         | 1-85829-6            |
|   |          | A,D,G,K,N               | 5            | 2.295 | 2.184 | 14 | 15         | 1-85829-5            |
|   |          | A,C,E,G,J,L,N           | 7            | 2.139 | 2.028 | 13 | 14         | 1-85829-4            |
| 4 | OBSOLETE | A,D,J,M                 | 4            | 1.983 | 1.872 | 12 | 13         | 1-85829-3            |
|   |          | A,C,E,G,J,L             | 6            | 1.827 | 1.716 | 11 | 12         | 1-85829-2            |
|   |          | A,D,G,K                 | 4            | 1.671 | 1.560 | 10 | 11         | 1-85829-1            |
| 4 | OBSOLETE | A,C,E,G,J               | 5            | 1.515 | 1.404 | 9  | 10         | 1-85829-0            |
|   |          | A,D,G                   | 3            | 1.359 | 1.248 | 8  | 9          | 85829-9              |
|   |          | A,C,E,G                 | 4            | 1.203 | 1.092 | 7  | 8          | 85829-8              |
|   |          | A,C,E                   | 3            | 1.047 | .936  | 6  | 7          | 85829-7              |
|   |          | A,C,E                   | 3            | .891  | .780  | 5  | 6          | 85829-6              |
|   |          | A,D                     | 2            | .735  | .624  | 4  | 5          | 85829-5              |
|   |          | A,C                     | 2            | .579  | .468  | 3  | 4          | 85829-4              |
|   |          | A                       | 1            | .423  | .312  | 2  | 3          | 85829-3              |
|   |          | A                       | 1            | .267  | .156  | 1  | 2          | 85829-2              |
|   |          | -                       | 0            | .111  | -     | 1  | 1          | 85829-1              |
|   |          | KEYWAY LOCATIONS        | NO OF KEYWAY | C     | B     | A  | NO OF POSN | ASSEMBLY PART NUMBER |

THIS DRAWING IS A CONTROLLED DOCUMENT.

DTJUN87  
L A MAYER  
11JUN87  
E HUBBEN  
11JUN87  
E HUBBEN

TE Connectivity

NAME: HEADER ASSEMBLY, MOD I, VERTICAL, SINGLE ROW, 156 C

APVD: E HUBBEN

PRODUCT SPEC

APPLICATION SPEC

SIZE: A1

WEIGHT: -

CAGE CODE: 00779

DRAWING NO: 85829

RESTRICTED TO: -

CUSTOMER DRAWING

SCALE: 4:1

SHEET 1 OF 1

REV: AC3

## X-ON Electronics

Largest Supplier of Electrical and Electronic Components

*Click to view similar products for [Headers & Wire Housings](#) category:*

*Click to view products by [TE Connectivity](#) manufacturer:*

Other Similar products are found below :

[892-18-020-10-001101](#) [58102-G61-06LF](#) [582553-1](#) [0009485154](#) [009176003701906](#) [0050291907](#) [LY20-4P-DT1-P1E-BR](#) [02.125.8002.8](#)  
[609-3404](#) [61062-3](#) [61082-181009](#) [622-3653LF](#) [63453-116](#) [636-1030](#) [636-1427](#) [636-3427](#) [636-4007](#) [641938-9](#) [641991-4](#) [644827-2](#) [65817-](#)  
[010LF](#) [65817-015LF](#) [65863-015LF](#) [66207-023LF](#) [67095-007LF](#) [67601157](#) [68645-018](#) [68648-049](#) [70.362.1628.0](#) [70-4210](#) [70-4226B](#) [70-](#)  
[4853B](#) [707-5020](#) [707-5028](#) [71.350.2428.0](#) [71918-208LF](#) [71961-016LF](#) [733-134](#) [733-162](#) [754199-000](#) [760-3052](#) [787-8014-00](#) [79531-3000](#)  
[FCN-360C032-B](#) [FCN-367T-T012/H](#) [FCN-723D010/2](#) [80.063.4001.1](#) [800-90-001-10-001000](#) [800-90-010-10-002000](#) [801-43-002-10-013000](#)