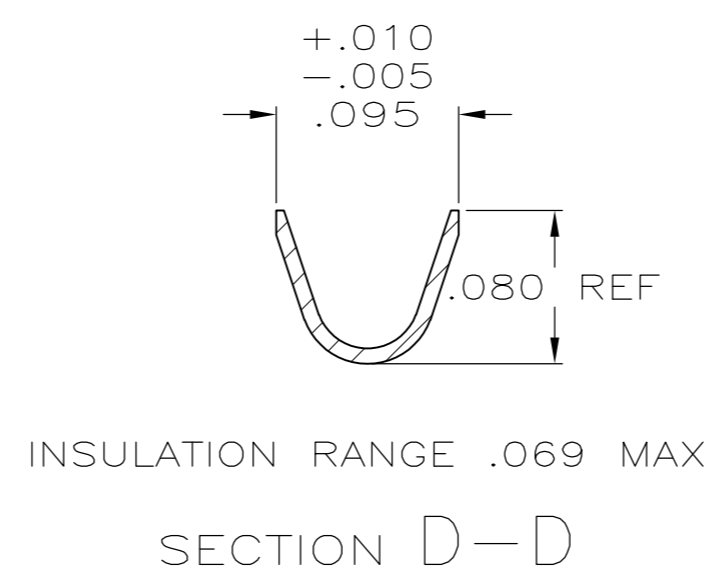
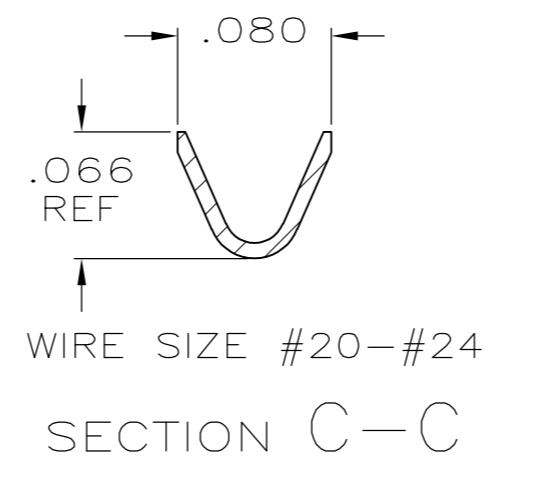
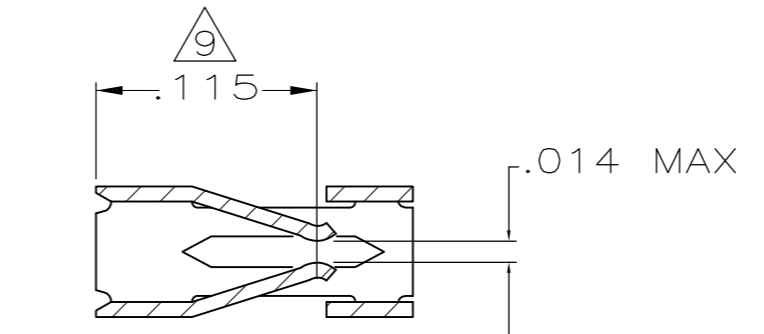
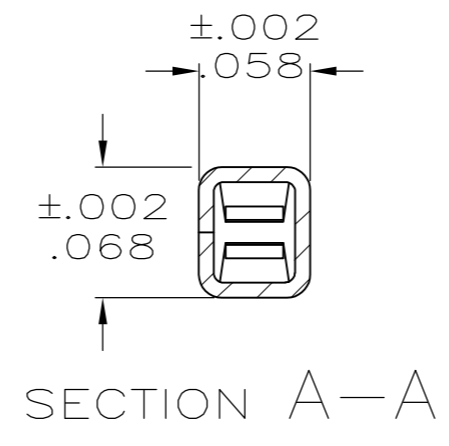
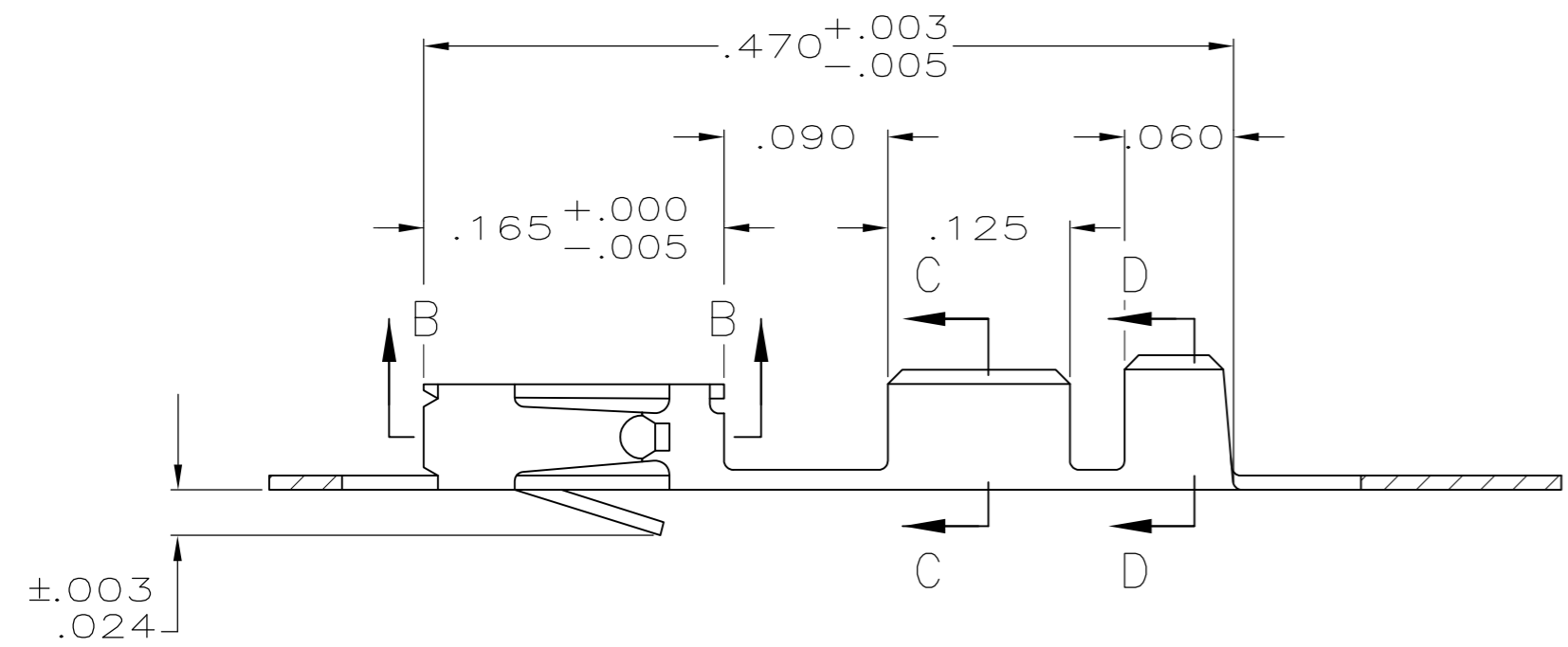
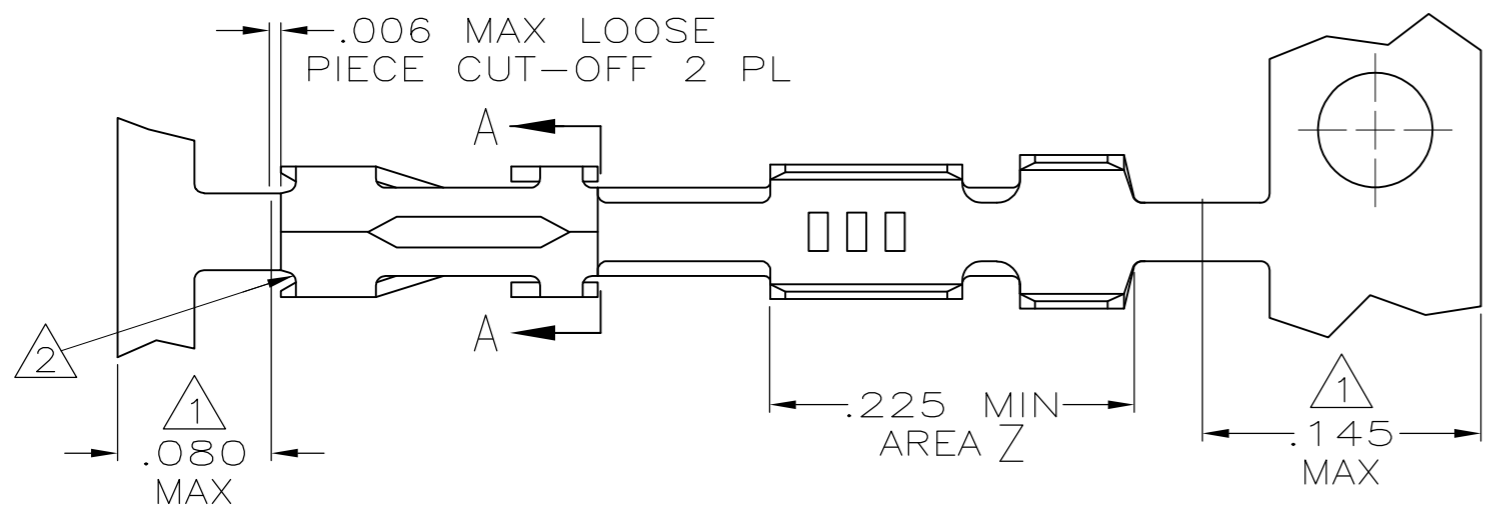


THIS DRAWING IS UNPUBLISHED. RELEASED FOR PUBLICATION  
 © COPYRIGHT - By - ALL RIGHTS RESERVED.

LOC	DIST	REVISIONS			
P	LTR	DESCRIPTION	DATE	DWN	APVD
AD	00	M1	REVISED PER ECO-11-004917	11MAR11	RK HMR



- 1 GOLD PLATING IS NOT REQUIRED IN THIS AREA.
- 2 CUT-OUTS ON THE BOX ARE AT MANUFACTURERS OPTION.
- 3 THIS TERMINAL IS REELED FOR THE STANDARD APPLICATOR.
- 4 THIS TERMINAL IS REELED FOR THE MINI APPLICATOR.
- 5 .000015 GOLD ON THE CONTACT AREA, GOLD FLASH ON THE REMAINDER ALL OVER .000050 NICKEL.
- 6 .000030 GOLD OVER .000050 NICKEL.
- 7 .000030 GOLD ON THE CONTACT AREA, GOLD FLASH ON THE REMAINDER ALL OVER .000050 NICKEL.
- 8 .000100-.000200 BRIGHT TIN-LEAD OVER .000050 NICKEL.
- 9 POINT OF MEASUREMENT FOR PLATING THICKNESS (INSIDE BEAMS).
- 10 SHEARED EDGES ARE PERMITTED TO BE UNPLATED.
- 11 .000015 GOLD ON THE CONTACT AREA, .000100-.000200 BRIGHT TIN-LEAD ON AREA Z, ALL OVER .000050 NICKEL.
- 12 .000030 GOLD ON THE CONTACT AREA, .000100-.000200 BRIGHT TIN-LEAD ON AREA Z, ALL OVER .000050 NICKEL.
- 13 .000030 GOLD ON CONTACT AREA, .000100-.000200 TIN ON AREA Z, ALL OVER .000050 NICKEL.
- 14 .000015 GOLD ON CONTACT AREA, .000100-.000200 TIN ON AREA Z, ALL OVER .000050 NICKEL.

REMARKS	FINISH	LOOSE PIECE PART NUMBER	PART NUMBER		
4	10	14	2-87195-5	2-87195-4	
4	10	13	2-87195-6	2-87195-3	
4	10	12	2-87195-1	2-87195-0	
	4	10	11	1-87195-8	1-87195-7
OBSOLETE	4	8	1-87195-6	1-87195-5	
OBSOLETE	3	8	1-87195-6	1-87195-4	
OBSOLETE	4	7	1-87195-0	87195-9	
OBSOLETE	3	7	1-87195-0	87195-8	
OBSOLETE	4	6	87195-7	87195-6	
OBSOLETE	3	6	87195-7	87195-5	
OBSOLETE	4	5	87195-4	87195-3	
OBSOLETE	3	5	87195-4	87195-2	

THIS DRAWING IS A CONTROLLED DOCUMENT.		DWN	L.D.RINGLEY	1-6-86	<b>TE</b> TE Connectivity
DIMENSIONS: INCHES		CHK	J.L.GESFORD	1-6-86	
TOLERANCES UNLESS OTHERWISE SPECIFIED:		APVD	J.GESFORD	1-6-86	
0 PLC ± -		PRODUCT SPEC	108-25,021		
1 PLC ± -		APPLICATION SPEC	114-25,003		
2 PLC ± -		WEIGHT	-		
3 PLC ± .005		SIZE	A2	CAGE CODE	00779
4 PLC ± -		DRAWING NO	C=87195		
ANGLES ± -		RESTRICTED TO	-		
FINISH		SCALE	10:1		
CU-SN-P, ALLOY		SHEET	1 of 1		
SEE TABLE		REV	M1		
CUSTOMER DRAWING					

## X-ON Electronics

Largest Supplier of Electrical and Electronic Components

*Click to view similar products for [Headers & Wire Housings](#) category:*

*Click to view products by [TE Connectivity](#) manufacturer:*

Other Similar products are found below :

[892-18-020-10-001101](#) [58102-G61-06LF](#) [582553-1](#) [0009485154](#) [009176003701906](#) [0050291907](#) [LY20-4P-DT1-P1E-BR](#) [02.125.8002.8](#)  
[609-3404](#) [61062-3](#) [61082-181009](#) [622-3653LF](#) [63453-116](#) [636-1030](#) [636-1427](#) [636-3427](#) [636-4007](#) [641938-9](#) [641991-4](#) [644827-2](#) [65817-010LF](#) [65817-015LF](#) [65863-015LF](#) [66207-023LF](#) [67095-007LF](#) [67601157](#) [68645-018](#) [68648-049](#) [70.362.1628.0](#) [70-4210](#) [70-4226B](#) [70-4853B](#) [707-5020](#) [707-5028](#) [71.350.2428.0](#) [71918-208LF](#) [71961-016LF](#) [733-134](#) [733-162](#) [754199-000](#) [760-3052](#) [787-8014-00](#) [79531-3000](#)  
[FCN-360C032-B](#) [FCN-367T-T012/H](#) [FCN-723D010/2](#) [80.063.4001.1](#) [800-90-001-10-001000](#) [800-90-010-10-002000](#) [801-43-002-10-013000](#)