
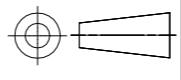


THIS DRAWING IS UNPUBLISHED. RELEASED FOR PUBLICATION
 © COPYRIGHT - By - ALL RIGHTS RESERVED.

REVISIONS					
P	LTR	DESCRIPTION	DATE	DWN	APVD
	U3	REVISED PER ECO-11-004587	11MAR11	RK	HMR
	V	REVISED PER ECO-18-000976	28MAY2018	RS	JO

SUPERSEDED BY 3-87499-4	5	-	45.85 [1.805]	20.32 [.800]	22.86 [.900]	18	8-87499-9
SUPERSEDED BY 3-87499-2	5	-	43.31 [1.705]	20.32 [.800]	20.32 [.800]	17	8-87499-8
SUPERSEDED BY 3-87499-0	5	-	40.77 [1.605]	17.78 [.700]	20.32 [.800]	16	8-87499-7
SUPERSEDED BY 2-87499-8	5	-	38.23 [1.505]	17.78 [.700]	17.78 [.700]	15	8-87499-6
SUPERSEDED BY 2-87499-6	5	-	35.69 [1.405]	15.24 [.600]	17.78 [.700]	14	8-87499-5
SUPERSEDED BY 2-87499-4	5	-	33.15 [1.305]	15.24 [.600]	15.24 [.600]	13	8-87499-4
SUPERSEDED BY 2-87499-2	5	-	30.61 [1.205]	12.70 [.500]	15.24 [.600]	12	8-87499-3
SUPERSEDED BY 2-87499-0	5	-	28.07 [1.105]	12.70 [.500]	12.70 [.500]	11	8-87499-2
SUPERSEDED BY 1-87499-8	5	-	25.53 [1.005]	10.16 [.400]	12.70 [.500]	10	8-87499-1
SUPERSEDED BY 1-87499-6	5	-	22.99 [.905]	10.16 [.400]	10.16 [.400]	9	8-87499-0
OBSOLETE	5	-	20.45 [.805]	7.62 [.300]	10.16 [.400]	8	7-87499-9
SUPERSEDED BY 87499-2	5	-	17.91 [.705]	7.62 [.300]	7.62 [.300]	7	7-87499-8
SUPERSEDED BY 1-87499-2	5	-	15.37 [.605]	5.08 [.200]	7.62 [.300]	6	7-87499-7
SUPERSEDED BY 1-87499-0	5	-	12.83 [.505]	5.08 [.200]	5.08 [.200]	5	7-87499-6
SUPERSEDED BY 87499-8	5	-	10.29 [.405]	2.54 [.100]	5.08 [.200]	4	7-87499-5
SUPERSEDED BY 87499-6	5	-	7.75 [.305]	2.54 [.100]	2.54 [.100]	3	7-87499-4
SUPERSEDED BY 87499-4	5	-	5.21 [.205]	-	2.54 [.100]	2	7-87499-3
		-	2.67 [.105]	-	-	1	7-87499-2
SUPERSEDED BY 7-87499-2	-	ALL	2.67 [.105]	-	-	1	7-87499-1
		-	91.57 [3.605]	43.18 [1.700]	45.72 [1.800]	36	7-87499-0
OBSOLETE	-	ALL	91.57 [3.605]	43.18 [1.700]	45.72 [1.800]	36	6-87499-9
OBSOLETE	-	-	89.03 [3.505]	43.18 [1.700]	43.18 [1.700]	35	6-87499-8
OBSOLETE	-	ALL	89.03 [3.505]	43.18 [1.700]	43.18 [1.700]	35	6-87499-7
OBSOLETE	-	-	86.49 [3.405]	40.64 [1.600]	43.18 [1.700]	34	6-87499-6
OBSOLETE	-	ALL	86.49 [3.405]	40.64 [1.600]	43.18 [1.700]	34	6-87499-5
OBSOLETE	-	-	83.95 [3.305]	40.64 [1.600]	40.64 [1.600]	33	6-87499-4
OBSOLETE	-	ALL	83.95 [3.305]	40.64 [1.600]	40.64 [1.600]	33	6-87499-3
OBSOLETE	-	-	81.41 [3.205]	38.10 [1.500]	40.64 [1.600]	32	6-87499-2
OBSOLETE	-	ALL	81.41 [3.205]	38.10 [1.500]	40.64 [1.600]	32	6-87499-1
OBSOLETE	-	-	78.87 [3.105]	38.10 [1.500]	38.10 [1.500]	31	6-87499-0
OBSOLETE	-	ALL	78.87 [3.105]	38.10 [1.500]	38.10 [1.500]	31	5-87499-9
		-	76.33 [3.005]	35.56 [1.400]	38.10 [1.500]	30	5-87499-8
OBSOLETE	-	ALL	76.33 [3.005]	35.56 [1.400]	38.10 [1.500]	30	5-87499-7
OBSOLETE	-	-	73.79 [2.905]	35.56 [1.400]	35.56 [1.400]	29	5-87499-6
OBSOLETE	-	ALL	73.79 [2.905]	35.56 [1.400]	35.56 [1.400]	29	5-87499-5
		-	71.25 [2.805]	33.02 [1.300]	35.56 [1.400]	28	5-87499-4
OBSOLETE	-	ALL	71.25 [2.805]	33.02 [1.300]	35.56 [1.400]	28	5-87499-3
OBSOLETE	-	-	68.71 [2.705]	33.02 [1.300]	33.02 [1.300]	27	5-87499-2
OBSOLETE	-	ALL	68.71 [2.705]	33.02 [1.300]	33.02 [1.300]	27	5-87499-1
OBSOLETE	-	-	66.17 [2.605]	30.48 [1.200]	33.02 [1.300]	26	5-87499-0
OBSOLETE	-	ALL	66.17 [2.605]	30.48 [1.200]	33.02 [1.300]	26	4-87499-9
OBSOLETE	-	-	63.63 [2.505]	30.48 [1.200]	30.48 [1.200]	25	4-87499-8
NOTES	MARKING		C	B	A	NO OF POSN	PART NUMBER

OBSOLETE	ALL	63.63 [2.505]	30.48 [1.200]	30.48 [1.200]	25	4-87499-7
OBSOLETE	-	61.09 [2.405]	27.94 [1.100]	30.48 [1.200]	24	4-87499-6
OBSOLETE	ALL	61.09 [2.405]	27.94 [1.100]	30.48 [1.200]	24	4-87499-5
OBSOLETE	-	58.55 [2.305]	27.94 [1.100]	27.94 [1.100]	23	4-87499-4
OBSOLETE	ALL	58.55 [2.305]	27.94 [1.100]	27.94 [1.100]	23	4-87499-3
		56.01 [2.205]	25.40 [1.000]	27.94 [1.100]	22	4-87499-2
SUPERSEDED BY 4-87499-2	ALL	56.01 [2.205]	25.40 [1.000]	27.94 [1.100]	22	4-87499-1
		53.47 [2.105]	25.40 [1.000]	25.40 [1.000]	21	4-87499-0
OBSOLETE	ALL	53.47 [2.105]	25.40 [1.000]	25.40 [1.000]	21	3-87499-9
		50.93 [2.005]	22.86 [.900]	25.40 [1.000]	20	3-87499-8
	ALL	50.93 [2.005]	22.86 [.900]	25.40 [1.000]	20	3-87499-7
OBSOLETE	-	48.39 [1.905]	22.86 [.900]	22.86 [.900]	19	3-87499-6
OBSOLETE	ALL	48.39 [1.905]	22.86 [.900]	22.86 [.900]	19	3-87499-5
		45.85 [1.805]	20.32 [.800]	22.86 [.900]	18	3-87499-4
SUPERSEDED BY 3-87499-4	ALL	45.85 [1.805]	20.32 [.800]	22.86 [.900]	18	3-87499-3
		43.31 [1.705]	20.32 [.800]	20.32 [.800]	17	3-87499-2
OBSOLETE	ALL	43.31 [1.705]	20.32 [.800]	20.32 [.800]	17	3-87499-1
		40.77 [1.605]	17.78 [.700]	20.32 [.800]	16	3-87499-0
	ALL	40.77 [1.605]	17.78 [.700]	20.32 [.800]	16	2-87499-9
		38.23 [1.505]	17.78 [.700]	17.78 [.700]	15	2-87499-8
	ALL	38.23 [1.505]	17.78 [.700]	17.78 [.700]	15	2-87499-7
		35.69 [1.405]	15.24 [.600]	17.78 [.700]	14	2-87499-6
	ALL	35.69 [1.405]	15.24 [.600]	17.78 [.700]	14	2-87499-5
		33.15 [1.305]	15.24 [.600]	15.24 [.600]	13	2-87499-4
	ALL	33.15 [1.305]	15.24 [.600]	15.24 [.600]	13	2-87499-3
		30.61 [1.205]	12.70 [.500]	15.24 [.600]	12	2-87499-2
	ALL	30.61 [1.205]	12.70 [.500]	15.24 [.600]	12	2-87499-1
		28.07 [1.105]	12.70 [.500]	12.70 [.500]	11	2-87499-0
	ALL	28.07 [1.105]	12.70 [.500]	12.70 [.500]	11	1-87499-9
		25.53 [1.005]	10.16 [.400]	12.70 [.500]	10	1-87499-8
	ALL	25.53 [1.005]	10.16 [.400]	12.70 [.500]	10	1-87499-7
		22.99 [.905]	10.16 [.400]	10.16 [.400]	9	1-87499-6
	ALL	22.99 [.905]	10.16 [.400]	10.16 [.400]	9	1-87499-5
		20.45 [.805]	7.62 [.300]	10.16 [.400]	8	1-87499-4
	ALL	20.45 [.805]	7.62 [.300]	10.16 [.400]	8	1-87499-3
		15.37 [.605]	5.08 [.200]	7.62 [.300]	6	1-87499-2
	ALL	15.37 [.605]	5.08 [.200]	7.62 [.300]	6	1-87499-1
		12.83 [.505]	5.08 [.200]	5.08 [.200]	5	1-87499-0
	ALL	12.83 [.505]	5.08 [.200]	5.08 [.200]	5	87499-9
		10.29 [.405]	2.54 [.100]	5.08 [.200]	4	87499-8
	ALL	10.29 [.405]	2.54 [.100]	5.08 [.200]	4	87499-7
		7.75 [.305]	2.54 [.100]	2.54 [.100]	3	87499-6
	ALL	7.75 [.305]	2.54 [.100]	2.54 [.100]	3	87499-5
		5.21 [.205]	-	2.54 [.100]	2	87499-4
	ALL	5.21 [.205]	-	2.54 [.100]	2	87499-3
		17.91 [.705]	7.62 [.300]	7.62 [.300]	7	87499-2
	ALL	17.91 [.705]	7.62 [.300]	7.62 [.300]	7	87499-1
MARKING		C	B	A	NO OF POSN	PART NUMBER

THIS DRAWING IS A CONTROLLED DOCUMENT.		DWN E. BRANDBERG 21-JUN-95	 TE Connectivity Ltd.	
DIMENSIONS: mm		CHK S. SHUEY 21-JUN-95		
		APVD D. DUPLER 21-JUN-95	NAME HOUSING, MOD IV, SINGLE ROW, .100 CL, CRIMP SNAP-IN	
TOLERANCES UNLESS OTHERWISE SPECIFIED: 0 PLC ± - 1 PLC ± - 2 PLC ± 0.13[.005] 3 PLC ± - 4 PLC ± - ANGLES ± -		PRODUCT SPEC -	APPLICATION SPEC -	
MATERIAL FLAME RETARDANT		WEIGHT -	SIZE A2	CAGE CODE 00779
		DRAWING NO 87499		RESTRICTED TO -
		CUSTOMER DRAWING		SCALE 4:1
		SHEET 1 of 2		REV V

4

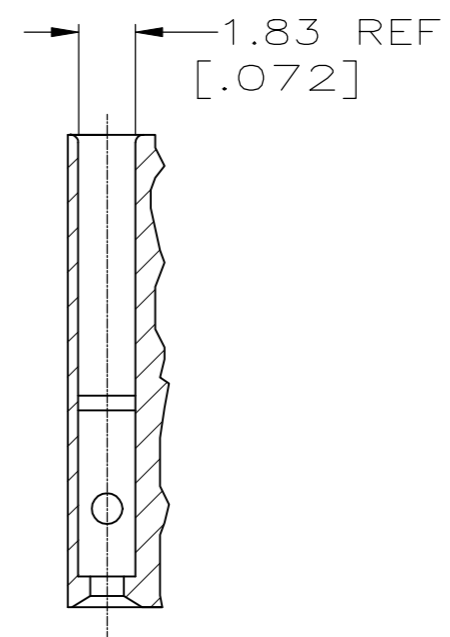
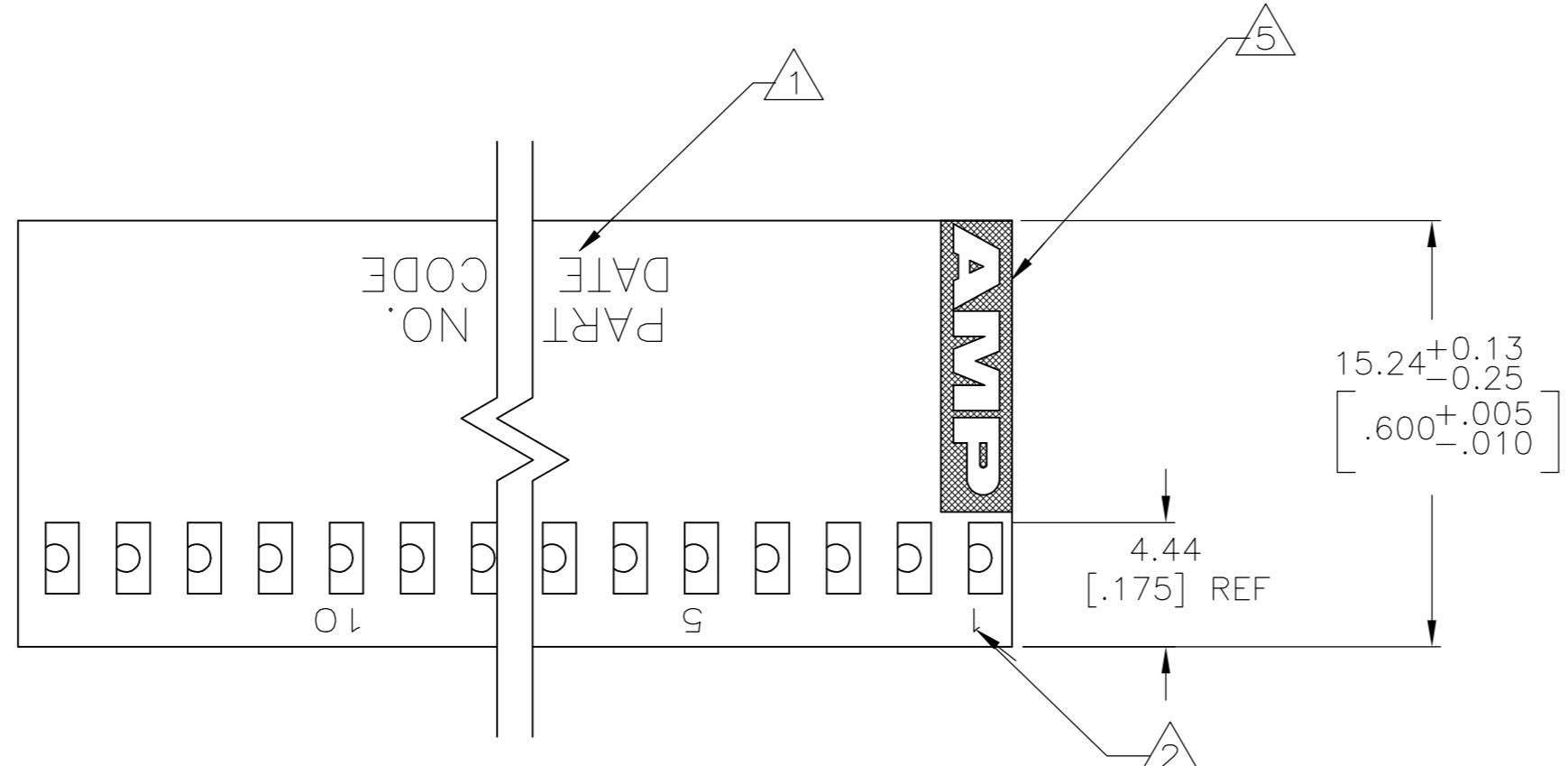
3

2

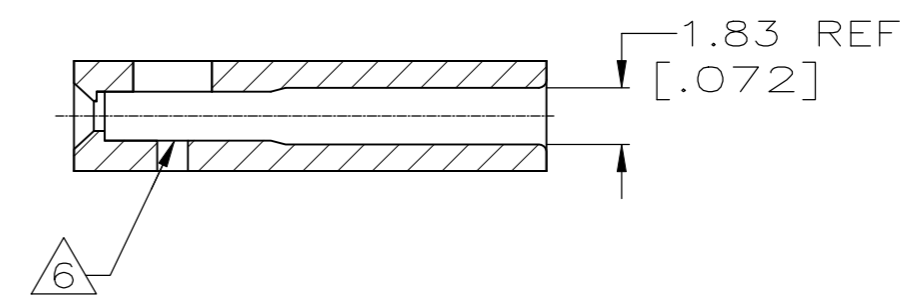
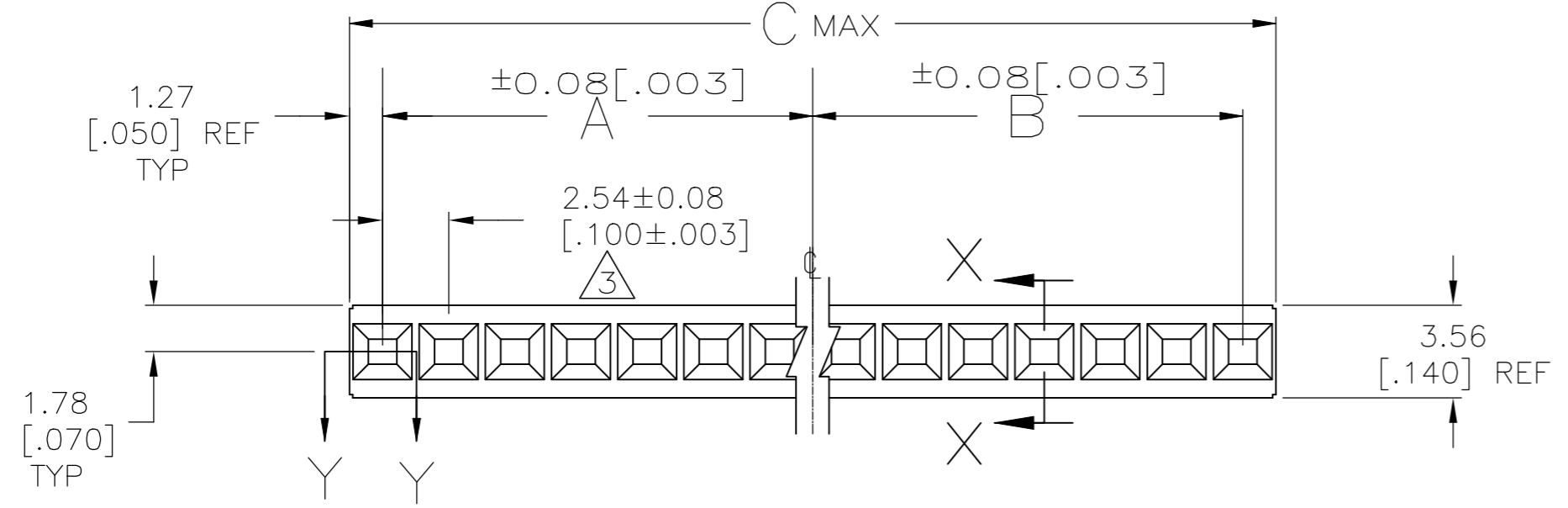
1

THIS DRAWING IS UNPUBLISHED. RELEASED FOR PUBLICATION. ALL RIGHTS RESERVED.

REVISIONS					
P	LTR	DESCRIPTION	DATE	DWN	APVD
-	-	SEE SHEET 1	-	-	-
-	-	SEE SHEET 1	-	-	-



SECTION Y-Y



SECTION X-X

- 1 PART NO. AND DATE CODE MARKED IN APPROX. AREA SHOWN WHEN HOUSING SIZE PERMITS.
- 2 CAVITY IDENTs, MARKED FIRST AND EVERY FIFTH CAVITY (ONE SIDE) AS SHOWN
- 3 TOLERANCE NON-CUMULATIVE.
- 4. USE EXTRACTION TOOL 91052-1 TO REMOVE RECEPTACLE CONTACTS.
- 5 AMP LOGO MOLDED IN TEXTURED AREA AS SHOWN.
- 6 FLASH ALLOWED TO BE .015 IN THIS AREA.
- 7 OBSOLETE PARTS: OBSOLETE CIS STREAMLINING PER D.RENAUD/D.SINISI

THIS DRAWING IS A CONTROLLED DOCUMENT.		DWN E. BRANDBERG 21-JUN-95	TE Connectivity Ltd.																			
DIMENSIONS: mm		CHK S. SHUEY 21-JUN-95																				
TOLERANCES UNLESS OTHERWISE SPECIFIED:		APVD D. DUPLER 21-JUN-95	NAME HOUSING, MOD IV, SINGLE ROW, .100 CL, CRIMP SNAP-IN																			
<table border="1"> <tr><td>0 PLC</td><td>±</td><td>-</td></tr> <tr><td>1 PLC</td><td>±</td><td>-</td></tr> <tr><td>2 PLC</td><td>±</td><td>0.13[.005]</td></tr> <tr><td>3 PLC</td><td>±</td><td>-</td></tr> <tr><td>4 PLC</td><td>±</td><td>-</td></tr> <tr><td>ANGLES</td><td>±</td><td>-</td></tr> </table>		0 PLC	±	-	1 PLC	±	-	2 PLC	±	0.13[.005]	3 PLC	±	-	4 PLC	±	-	ANGLES	±	-	PRODUCT SPEC	SIZE	RESTRICTED TO
0 PLC	±	-																				
1 PLC	±	-																				
2 PLC	±	0.13[.005]																				
3 PLC	±	-																				
4 PLC	±	-																				
ANGLES	±	-																				
MATERIAL FLAME RETARDANT		FINISH -	APPLICATION SPEC	WEIGHT																		
		CUSTOMER DRAWING	SCALE 4:1	SHEET 2 of 2																		
			DRAWING NO A2 00779 C=87499	REV V																		

87499

X-ON Electronics

Largest Supplier of Electrical and Electronic Components

Click to view similar products for [Headers & Wire Housings](#) category:

Click to view products by [TE Connectivity](#) manufacturer:

Other Similar products are found below :

[892-18-020-10-001101](#) [58102-G61-06LF](#) [582553-1](#) [0009485154](#) [009176003701906](#) [0050291907](#) [LY20-4P-DT1-P1E-BR](#) [02.125.8002.8](#)
[609-3404](#) [61062-3](#) [61082-181009](#) [622-3653LF](#) [63453-116](#) [636-1030](#) [636-1427](#) [636-3427](#) [636-4007](#) [641938-9](#) [641991-4](#) [644827-2](#) [65817-](#)
[010LF](#) [65817-015LF](#) [65863-015LF](#) [66207-023LF](#) [67095-007LF](#) [67601157](#) [68645-018](#) [68648-049](#) [70.362.1628.0](#) [70-4210](#) [70-4226B](#) [70-](#)
[4853B](#) [707-5020](#) [707-5028](#) [71.350.2428.0](#) [71918-208LF](#) [71961-016LF](#) [733-134](#) [733-162](#) [754199-000](#) [760-3052](#) [787-8014-00](#) [79531-3000](#)
[FCN-360C032-B](#) [FCN-367T-T012/H](#) [FCN-723D010/2](#) [80.063.4001.1](#) [800-90-001-10-001000](#) [800-90-010-10-002000](#) [801-43-002-10-013000](#)