

4

3

2

1

THIS DRAWING IS UNPUBLISHED.

RELEASED FOR PUBLICATION

-.-

© COPYRIGHT - By -

ALL RIGHTS RESERVED.

REVISIONS

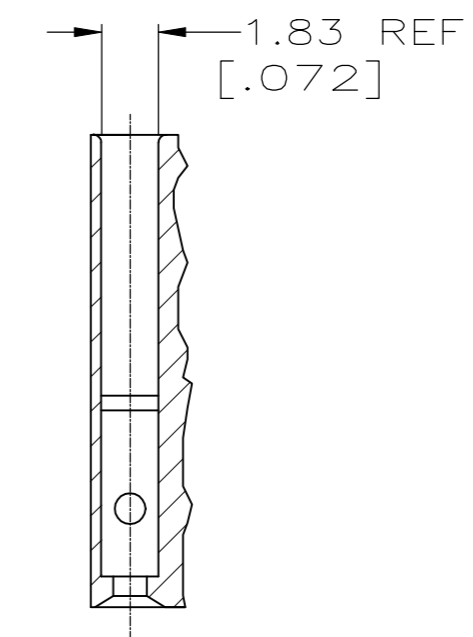
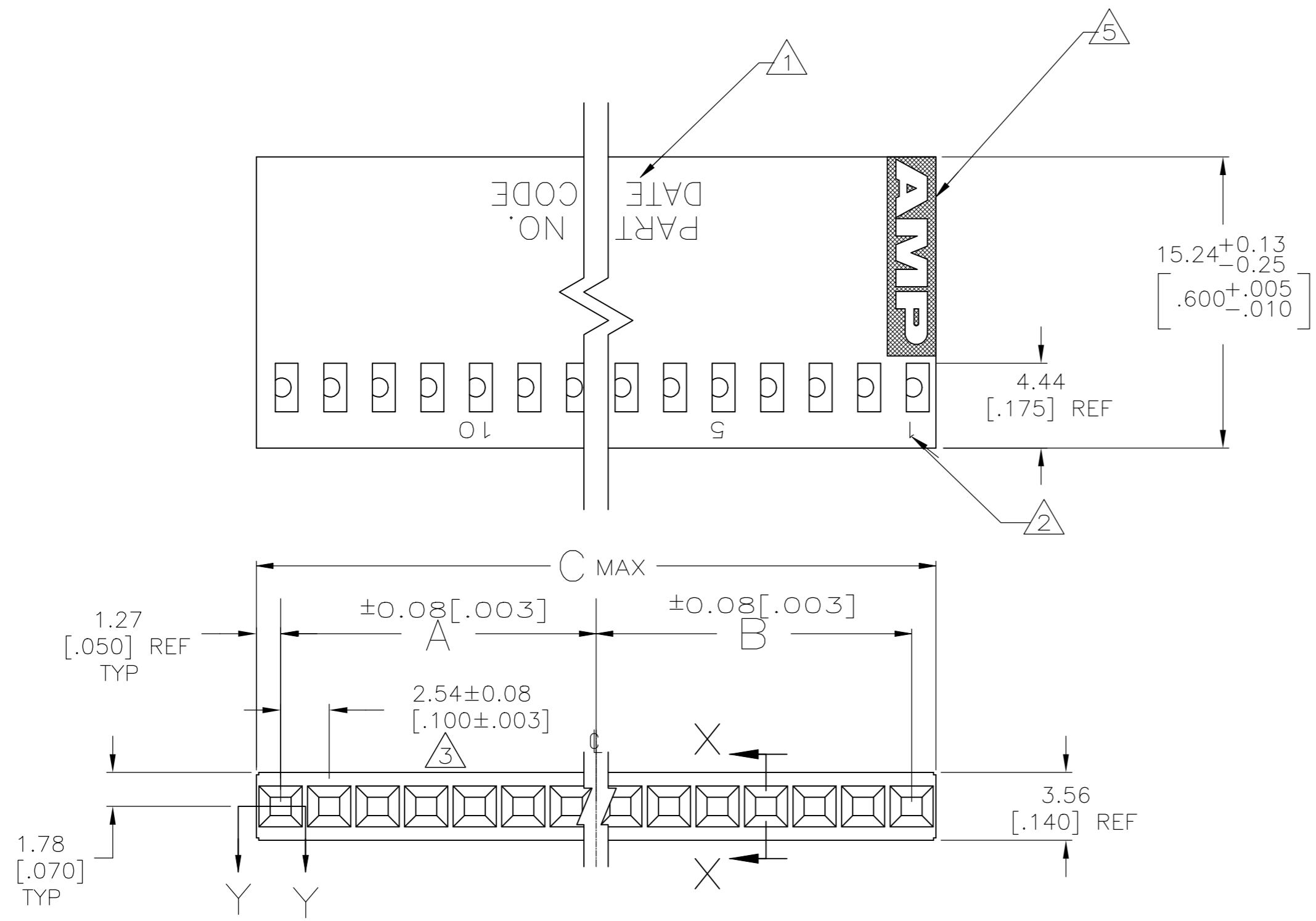
| P | LTR | DESCRIPTION | DATE | DWN | APVD |
|----|-----|---------------------------|-----------|-----|------|
| U3 | | REVISED PER ECO-11-004587 | 11MAR11 | RK | HMR |
| V | | REVISED PER ECO-18-000976 | 28MAY2018 | RS | JO |

| | | | | | | | |
|-------------------------|-------|---------|---------------|---------------|---------------|------------|-------------|
| SUPERSEDED BY 3-87499-4 | 5 | - | 45.85 [1.805] | 20.32 [.800] | 22.86 [.900] | 18 | 8-87499-9 |
| SUPERSEDED BY 3-87499-2 | 5 | - | 43.31 [1.705] | 20.32 [.800] | 20.32 [.800] | 17 | 8-87499-8 |
| SUPERSEDED BY 3-87499-0 | 5 | - | 40.77 [1.605] | 17.78 [.700] | 20.32 [.800] | 16 | 8-87499-7 |
| SUPERSEDED BY 2-87499-8 | 5 | - | 38.23 [1.505] | 17.78 [.700] | 17.78 [.700] | 15 | 8-87499-6 |
| SUPERSEDED BY 2-87499-6 | 5 | - | 35.69 [1.405] | 15.24 [.600] | 17.78 [.700] | 14 | 8-87499-5 |
| SUPERSEDED BY 2-87499-4 | 5 | - | 33.15 [1.305] | 15.24 [.600] | 15.24 [.600] | 13 | 8-87499-4 |
| SUPERSEDED BY 2-87499-2 | 5 | - | 30.61 [1.205] | 12.70 [.500] | 15.24 [.600] | 12 | 8-87499-3 |
| SUPERSEDED BY 2-87499-0 | 5 | - | 28.07 [1.105] | 12.70 [.500] | 12.70 [.500] | 11 | 8-87499-2 |
| SUPERSEDED BY 1-87499-8 | 5 | - | 25.53 [1.005] | 10.16 [.400] | 12.70 [.500] | 10 | 8-87499-1 |
| SUPERSEDED BY 1-87499-6 | 5 | - | 22.99 [.905] | 10.16 [.400] | 10.16 [.400] | 9 | 8-87499-0 |
| OBSOLETE | 5 | - | 20.45 [.805] | 7.62 [.300] | 10.16 [.400] | 8 | 7-87499-9 |
| SUPERSEDED BY 87499-2 | 5 | - | 17.91 [.705] | 7.62 [.300] | 7.62 [.300] | 7 | 7-87499-8 |
| SUPERSEDED BY 1-87499-2 | 5 | - | 15.37 [.605] | 5.08 [.200] | 7.62 [.300] | 6 | 7-87499-7 |
| SUPERSEDED BY 1-87499-0 | 5 | - | 12.83 [.505] | 5.08 [.200] | 5.08 [.200] | 5 | 7-87499-6 |
| SUPERSEDED BY 87499-8 | 5 | - | 10.29 [.405] | 2.54 [.100] | 5.08 [.200] | 4 | 7-87499-5 |
| SUPERSEDED BY 87499-6 | 5 | - | 7.75 [.305] | 2.54 [.100] | 2.54 [.100] | 3 | 7-87499-4 |
| SUPERSEDED BY 87499-4 | 5 | - | 5.21 [.205] | - | 2.54 [.100] | 2 | 7-87499-3 |
| - | - | - | 2.67 [.105] | - | - | 1 | 7-87499-2 |
| SUPERSEDED BY 7-87499-2 | - | ALL | 2.67 [.105] | - | - | 1 | 7-87499-1 |
| - | - | - | 91.57 [3.605] | 43.18 [1.700] | 45.72 [1.800] | 36 | 7-87499-0 |
| OBSOLETE | - | ALL | 91.57 [3.605] | 43.18 [1.700] | 45.72 [1.800] | 36 | 6-87499-9 |
| OBSOLETE | - | - | 89.03 [3.505] | 43.18 [1.700] | 43.18 [1.700] | 35 | 6-87499-8 |
| OBSOLETE | - | ALL | 89.03 [3.505] | 43.18 [1.700] | 43.18 [1.700] | 35 | 6-87499-7 |
| OBSOLETE | - | - | 86.49 [3.405] | 40.64 [1.600] | 43.18 [1.700] | 34 | 6-87499-6 |
| OBSOLETE | - | ALL | 86.49 [3.405] | 40.64 [1.600] | 43.18 [1.700] | 34 | 6-87499-5 |
| OBSOLETE | - | - | 83.95 [3.305] | 40.64 [1.600] | 40.64 [1.600] | 33 | 6-87499-4 |
| OBSOLETE | - | ALL | 83.95 [3.305] | 40.64 [1.600] | 40.64 [1.600] | 33 | 6-87499-3 |
| OBSOLETE | - | - | 81.41 [3.205] | 38.10 [1.500] | 40.64 [1.600] | 32 | 6-87499-2 |
| OBSOLETE | - | ALL | 81.41 [3.205] | 38.10 [1.500] | 40.64 [1.600] | 32 | 6-87499-1 |
| OBSOLETE | - | - | 78.87 [3.105] | 38.10 [1.500] | 38.10 [1.500] | 31 | 6-87499-0 |
| OBSOLETE | - | ALL | 78.87 [3.105] | 38.10 [1.500] | 38.10 [1.500] | 31 | 5-87499-9 |
| - | - | - | 76.33 [3.005] | 35.56 [1.400] | 38.10 [1.500] | 30 | 5-87499-8 |
| OBSOLETE | - | ALL | 76.33 [3.005] | 35.56 [1.400] | 38.10 [1.500] | 30 | 5-87499-7 |
| OBSOLETE | - | - | 73.79 [2.905] | 35.56 [1.400] | 35.56 [1.400] | 29 | 5-87499-6 |
| OBSOLETE | - | ALL | 73.79 [2.905] | 35.56 [1.400] | 35.56 [1.400] | 29 | 5-87499-5 |
| - | - | - | 71.25 [2.805] | 33.02 [1.300] | 35.56 [1.400] | 28 | 5-87499-4 |
| OBSOLETE | - | ALL | 71.25 [2.805] | 33.02 [1.300] | 35.56 [1.400] | 28 | 5-87499-3 |
| OBSOLETE | - | - | 68.71 [2.705] | 33.02 [1.300] | 33.02 [1.300] | 27 | 5-87499-2 |
| OBSOLETE | - | ALL | 68.71 [2.705] | 33.02 [1.300] | 33.02 [1.300] | 27 | 5-87499-1 |
| OBSOLETE | - | - | 66.17 [2.605] | 30.48 [1.200] | 33.02 [1.300] | 26 | 5-87499-0 |
| OBSOLETE | - | ALL | 66.17 [2.605] | 30.48 [1.200] | 33.02 [1.300] | 26 | 4-87499-9 |
| OBSOLETE | - | - | 63.63 [2.505] | 30.48 [1.200] | 30.48 [1.200] | 25 | 4-87499-8 |
| | NOTES | MARKING | C | B | A | NO OF POSN | PART NUMBER |

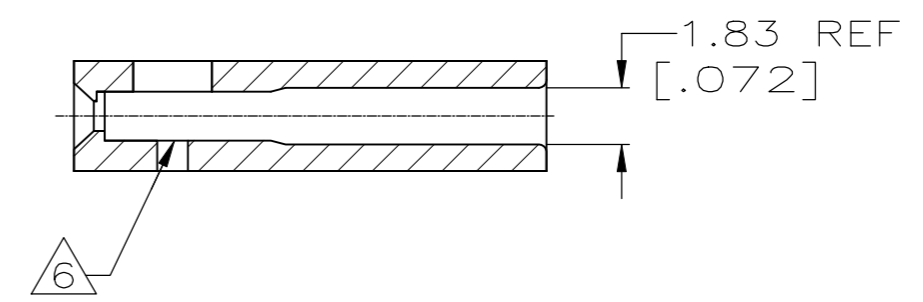
| | | | | | | |
|-------------------------|---------------|---------------|---------------|---------------|------------|-------------|
| OBSOLETE | ALL | 63.63 [2.505] | 30.48 [1.200] | 30.48 [1.200] | 25 | 4-87499-7 |
| OBSOLETE | - | 61.09 [2.405] | 27.94 [1.100] | 30.48 [1.200] | 24 | 4-87499-6 |
| OBSOLETE | ALL | 61.09 [2.405] | 27.94 [1.100] | 30.48 [1.200] | 24 | 4-87499-5 |
| OBSOLETE | - | 58.55 [2.305] | 27.94 [1.100] | 27.94 [1.100] | 23 | 4-87499-4 |
| OBSOLETE | ALL | 58.55 [2.305] | 27.94 [1.100] | 27.94 [1.100] | 23 | 4-87499-3 |
| - | - | 56.01 [2.205] | 25.40 [1.000] | 27.94 [1.100] | 22 | 4-87499-2 |
| SUPERSEDED BY 4-87499-2 | ALL | 56.01 [2.205] | 25.40 [1.000] | 27.94 [1.100] | 22 | 4-87499-1 |
| - | - | 53.47 [2.105] | 25.40 [1.000] | 25.40 [1.000] | 21 | 4-87499-0 |
| OBSOLETE | ALL | 53.47 [2.105] | 25.40 [1.000] | 25.40 [1.000] | 21 | 3-87499-9 |
| - | - | 50.93 [2.005] | 22.86 [.900] | 25.40 [1.000] | 20 | 3-87499-8 |
| ALL | 50.93 [2.005] | 22.86 [.900] | 25.40 [1.000] | 25.40 [1.000] | 20 | 3-87499-7 |
| OBSOLETE | - | 48.39 [1.905] | 22.86 [.900] | 22.86 [.900] | 19 | 3-87499-6 |
| OBSOLETE | ALL | 48.39 [1.905] | 22.86 [.900] | 22.86 [.900] | 19 | 3-87499-5 |
| - | - | 45.85 [1.805] | 20.32 [.800] | 22.86 [.900] | 18 | 3-87499-4 |
| SUPERSEDED BY 3-87499-4 | ALL | 45.85 [1.805] | 20.32 [.800] | 22.86 [.900] | 18 | 3-87499-3 |
| - | - | 43.31 [1.705] | 20.32 [.800] | 20.32 [.800] | 17 | 3-87499-2 |
| OBSOLETE | ALL | 43.31 [1.705] | 20.32 [.800] | 20.32 [.800] | 17 | 3-87499-1 |
| - | - | 40.77 [1.605] | 17.78 [.700] | 20.32 [.800] | 16 | 3-87499-0 |
| ALL | 40.77 [1.605] | 17.78 [.700] | 20.32 [.800] | 20.32 [.800] | 16 | 2-87499-9 |
| - | - | 38.23 [1.505] | 17.78 [.700] | 17.78 [.700] | 15 | 2-87499-8 |
| ALL | 38.23 [1.505] | 17.78 [.700] | 17.78 [.700] | 17.78 [.700] | 15 | 2-87499-7 |
| - | - | 35.69 [1.405] | 15.24 [.600] | 17.78 [.700] | 14 | 2-87499-6 |
| ALL | 35.69 [1.405] | 15.24 [.600] | 17.78 [.700] | 17.78 [.700] | 14 | 2-87499-5 |
| - | - | 33.15 [1.305] | 15.24 [.600] | 15.24 [.600] | 13 | 2-87499-4 |
| ALL | 33.15 [1.305] | 15.24 [.600] | 15.24 [.600] | 15.24 [.600] | 13 | 2-87499-3 |
| - | - | 30.61 [1.205] | 12.70 [.500] | 15.24 [.600] | 12 | 2-87499-2 |
| ALL | 30.61 [1.205] | 12.70 [.500] | 15.24 [.600] | 15.24 [.600] | 12 | 2-87499-1 |
| - | - | 28.07 [1.105] | 12.70 [.500] | 12.70 [.500] | 11 | 2-87499-0 |
| ALL | 28.07 [1.105] | 12.70 [.500] | 12.70 [.500] | 12.70 [.500] | 11 | 1-87499-9 |
| - | - | 25.53 [1.005] | 10.16 [.400] | 12.70 [.500] | 10 | 1-87499-8 |
| ALL | 25.53 [1.005] | 10.16 [.400] | 12.70 [.500] | 12.70 [.500] | 10 | 1-87499-7 |
| - | - | 22.99 [.905] | 10.16 [.400] | 10.16 [.400] | 9 | 1-87499-6 |
| ALL | 22.99 [.905] | 10.16 [.400] | 10.16 [.400] | 10.16 [.400] | 9 | 1-87499-5 |
| - | - | 20.45 [.805] | 7.62 [.300] | 10.16 [.400] | 8 | 1-87499-4 |
| ALL | 20.45 [.805] | 7.62 [.300] | 10.16 [.400] | 10.16 [.400] | 8 | 1-87499-3 |
| - | - | 15.37 [.605] | 5.08 [.200] | 7.62 [.300] | 6 | 1-87499-2 |
| ALL | 15.37 [.605] | 5.08 [.200] | 7.62 [.300] | 7.62 [.300] | 6 | 1-87499-1 |
| - | - | 12.83 [.505] | 5.08 [.200] | 5.08 [.200] | 5 | 1-87499-0 |
| ALL | 12.83 [.505] | 5.08 [.200] | 5.08 [.200] | 5.08 [.200] | 5 | 87499-9 |
| - | - | 10.29 [.405] | 2.54 [.100] | 5.08 [.200] | 4 | 87499-8 |
| ALL | 10.29 [.405] | 2.54 [.100] | 5.08 [.200] | 5.08 [.200] | 4 | 87499-7 |
| - | - | 7.75 [.305] | 2.54 [.100] | 2.54 [.100] | 3 | 87499-6 |
| ALL | 7.75 [.305] | 2.54 [.100] | 2.54 [.100] | 2.54 [.100] | 3 | 87499-5 |
| - | - | 5.21 [.205] | - | 2.54 [.100] | 2 | 87499-4 |
| ALL | 5.21 [.205] | - | - | 2.54 [.100] | 2 | 87499-3 |
| - | - | 2.67 [.105] | - | 2.54 [.100] | 1 | 87499-2 |
| ALL | 17.91 [.705] | 7.62 [.300] | 7.62 [.300] | 7.62 [.300] | 7 | 87499-1 |
| ALL | 17.91 [.705] | 7.62 [.300] | 7.62 [.300] | 7.62 [.300] | 7 | 87499-1 |
| | MARKING | C | B | A | NO OF POSN | PART NUMBER |

| | | | | | | | | | |
|--|--|--|--|------------------|-----------|----------------------|--|------|--|
| THIS DRAWING IS A CONTROLLED DOCUMENT. | | | | DWN | 21-JUN-95 | TE Connectivity Ltd. | | | |
| | | | | CHK | 21-JUN-95 | | | | |
| | | | | APVD | 21-JUN-95 | | | NAME | |
| | | | | PRODUCT SPEC | | | | | |
| DIMENSIONS: mm | | TOLERANCES UNLESS OTHERWISE SPECIFIED: | | APPLICATION SPEC | | WEIGHT | | | |
| 0 PLC ± - | | 0 PLC ± - | | WEIGHT | | SCALE | | | |
| 1 PLC ± - | | 1 PLC ± - | | WEIGHT | | SHEET | | | |
| 2 PLC ± 0.13[.005] | | 2 PLC ± 0.13[.005] | | WEIGHT | | 1 of 2 | | | |
| 3 PLC ± - | | 3 PLC ± - | | WEIGHT | | REV | | | |
| 4 PLC ± - | | 4 PLC ± - | | WEIGHT | | V | | | |
| ANGLES ± - | | ANGLES ± - | | WEIGHT | | | | | |
| MATERIAL FLAME RETARDANT | | FINISH - | | CUSTOMER DRAWING | | RESTRICTED TO - | | | |
| | | | | SIZE | | CAGE CODE | | | |
| | | | | A2 | | 00779 | | | |
| | | | | DRAWING NO | | C=87499 | | | |
| | | | | SCALE | | 4:1 | | | |

| REVISIONS | | | | | |
|-----------|-----|-------------|------|-----|------|
| P | LTR | DESCRIPTION | DATE | DWN | APVD |
| - | - | SEE SHEET 1 | - | - | - |
| - | - | SEE SHEET 1 | - | - | - |



SECTION Y-Y



SECTION X-X

- 1 PART NO. AND DATE CODE MARKED IN APPROX. AREA SHOWN WHEN HOUSING SIZE PERMITS.
- 2 CAVITY IDENTs, MARKED FIRST AND EVERY FIFTH CAVITY (ONE SIDE) AS SHOWN
- 3 TOLERANCE NON-CUMULATIVE.
- 4. USE EXTRACTION TOOL 91052-1 TO REMOVE RECEPTACLE CONTACTS.
- 5 AMP LOGO MOLDED IN TEXTURED AREA AS SHOWN.
- 6 FLASH ALLOWED TO BE .015 IN THIS AREA.
- 7 OBSOLETE PARTS: OBSOLETE CIS STREAMLINING PER D.RENAUD/D.SINISI

| | | | | |
|--|--|----------------------------------|---|--|
| THIS DRAWING IS A CONTROLLED DOCUMENT. | | DWN E. BRANDBERG 21-JUN-95 | TE Connectivity Ltd. | |
| DIMENSIONS: mm | | CHK S. SHUEY 21-JUN-95 | | |
| TOLERANCES UNLESS OTHERWISE SPECIFIED: | | APVD D. DUPLER 21-JUN-95 | NAME HOUSING, MOD IV, SINGLE ROW, .100 CL, CRIMP SNAP-IN | |
| 0 PLC ± - | | PRODUCT SPEC | SIZE CAGE CODE DRAWING NO RESTRICTED TO | |
| 1 PLC ± - | | APPLICATION SPEC | A2 00779 C=87499 - | |
| 2 PLC ± 0.13[.005] | | WEIGHT | SCALE 4:1 SHEET 2 of 2 REV V | |
| 3 PLC ± - | | CUSTOMER DRAWING | | |
| 4 PLC ± - | | | | |
| ANGLES ± - | | | | |
| MATERIAL FLAME RETARDANT | | FINISH - | | |

X-ON Electronics

Largest Supplier of Electrical and Electronic Components

Click to view similar products for [Headers & Wire Housings](#) category:

Click to view products by [TE Connectivity](#) manufacturer:

Other Similar products are found below :

[892-18-020-10-001101](#) [58102-G61-06LF](#) [582553-1](#) [0009485154](#) [009176003701906](#) [0050291907](#) [LY20-4P-DT1-P1E-BR](#) [02.125.8002.8](#)
[609-3404](#) [61062-3](#) [61082-181009](#) [622-3653LF](#) [63453-116](#) [636-1030](#) [636-1427](#) [636-3427](#) [636-4007](#) [641938-9](#) [641991-4](#) [644827-2](#) [65817-010LF](#) [65817-015LF](#) [65863-015LF](#) [66207-023LF](#) [67095-007LF](#) [67601157](#) [68645-018](#) [68648-049](#) [70.362.1628.0](#) [70-4210](#) [70-4226B](#) [70-4853B](#) [707-5020](#) [707-5028](#) [71.350.2428.0](#) [71918-208LF](#) [71961-016LF](#) [733-134](#) [733-162](#) [754199-000](#) [760-3052](#) [787-8014-00](#) [79531-3000](#)
[FCN-360C032-B](#) [FCN-367T-T012/H](#) [FCN-723D010/2](#) [80.063.4001.1](#) [800-90-001-10-001000](#) [800-90-010-10-002000](#) [801-43-002-10-013000](#)