

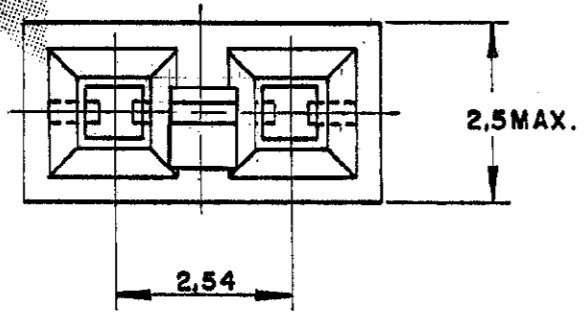
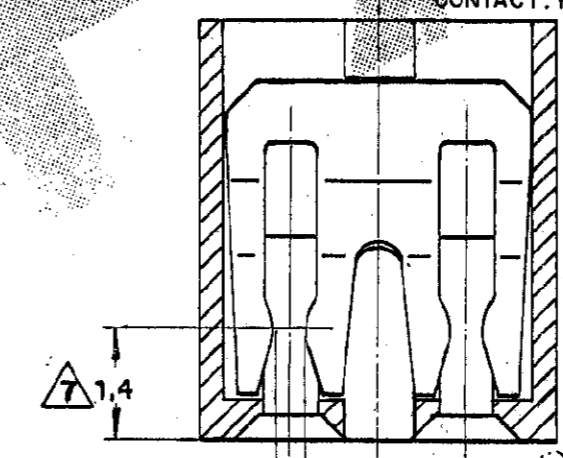
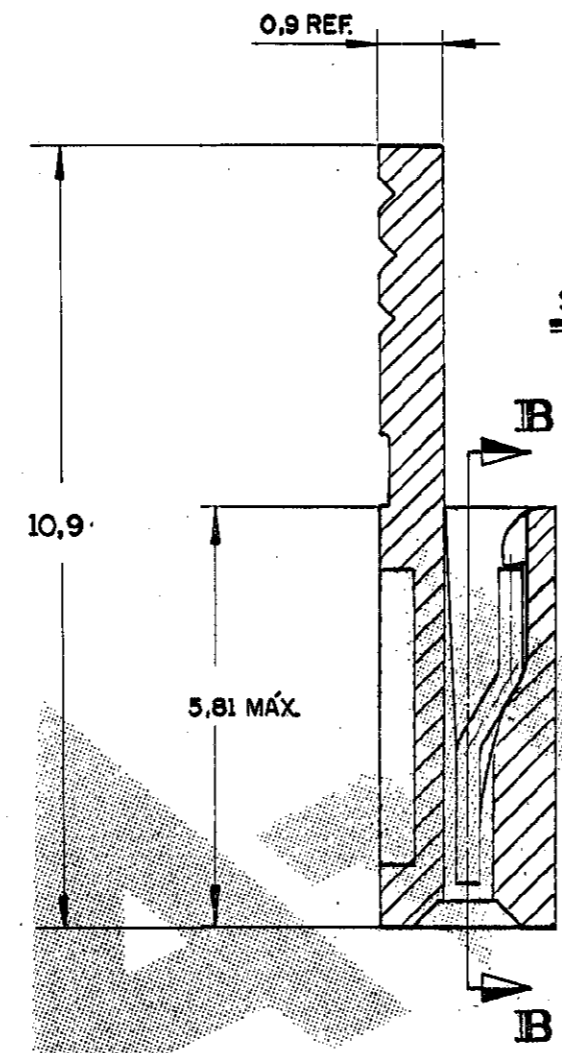
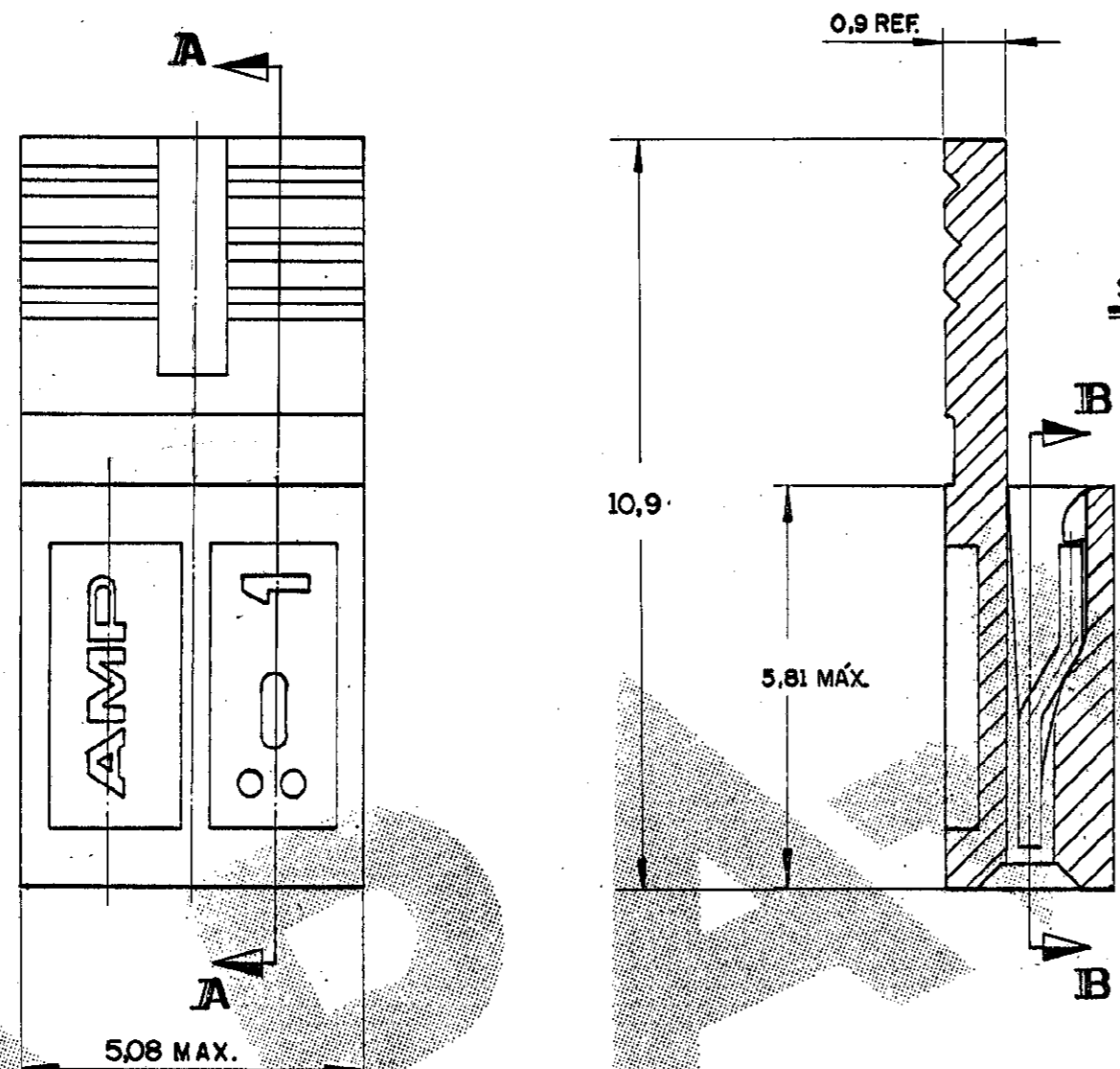
C881545

DO NOT SCALE
DIMENSIONS IN mm. METRIC 3rd ANGLE PROJECTION

ATENÇÃO
Este desenho esta sob o controle das especificações nos. 102-23 e 102-55. Toda e qualquer alteração, antes de ser processada, deverá ser comunicada aos clientes envolvidos, através dos procedimentos atuais.

Ver pasta "Notificação ao Cliente"

- NOTAS:**
- 1 MATERIAL: HOUSING: TERMOPLÁSTICO C/ FIBRA DE VIDRO V-O COR: PRETO
CONTATO: BRONZE FOSFOROSO
 - 2 MATERIAL: HOUSING: THERMOPLASTIC WITH GLASS FIBER V-O COLOR: BLACK
CONTACT: PHOSPHOROUS BRONZE
 - 3 MATERIAL: HOUSING: TERMOPLÁSTICO C/ FIBRA DE VIDRO HB COR: NATURAL
CONTATO: BRONZE FOSFOROSO
 - 4 MATERIAL: HOUSING: THERMOPLASTIC WITH GLASS FIBER HB COLOR: NATURAL
CONTACT: PHOSPHOROUS BRONZE
 - 5 0,38 µm. MIN. OURO NA AREA DE CONTATO, SOBRE BANHO 0,76 µm NIQUEL
0,38 µm. MIN. GOLD ON CONTACT AREA, 0,76 µm NIQUEL UNDERPLATING
 - 6 0,76 µm. MIN. OURO NA AREA DE CONTATO, SOBRE BANHO 0,76 µm NIQUEL
0,76 µm. MIN. GOLD ON CONTACT AREA, 0,76 µm NIQUEL UNDERPLATING
 - 7 1,27 µm. MIN. OURO NA AREA DE CONTATO, SOBRE BANHO 0,76 µm NIQUEL
1,27 µm. MIN. GOLD ON CONTACT AREA, 0,76 µm NIQUEL UNDERPLATING
 - 8 ESTANHO SOBRE NIQUEL
TIN OVER NICKEL
 - 9 PONTO DE CONTATO P/ MEDIÇÃO DA CAMADA DE OURO
CONTACT POINT FOR GOLD PLATING MEASUREMENT
 - 10 ACEITA PINO QUADRADO 0,64 x 0,64 OU REDONDO Ø 0,64
ALLOW SQUARE PIN 0,64 x 0,64 OR ROUND Ø 0,64
 - 11 MATERIAL: HOUSING: TERMOPLÁSTICO C/ 15% DE FIBRA DE VIDRO, V2, COR VERMELHO (PADRÃO DE COR: RAL 3000).
CONTATO: BRONZE FOSFOROSO
 - 12 MATERIAL: HOUSING THERMOPLASTIC WITH 15% GLASS FIBER, V2, COLOR RED (STAND COLOR: RAL 3000)
CONTACT: PHOSPHOROUS BRONZE.



- 10 SIMILAR DO P/N 881545-2, PORÉM EM EMBALAGENS C/ 2.000 PEÇAS/SACO PLÁSTICO.
SIMILAR OF P/No 881545-2 BUT IN PACKAGES W/ 2.000 PARTS/ PLASTIC BAG.
- 11 MATERIAL HOUSING: TERMOPLÁSTICO COM 15% FIBRA DE VIDRO, V2, COR AMARELO (RAL 1016)
CONTATO: BRONZE FOSFOROSO
MATERIAL: HOUSING: THERMOPLASTIC 15% GLASS FIBER V2, COLOR YELLOW (RAL 1016)
CONTACT: PHOSPHOROUS BRONZE.
- 12 MATERIAL HOUSING TERMOPLÁSTICO COM 15% FIBRA DE VIDRO, V2, COR VERDE (AMP A6484) CONTATO: BRONZE FOSFOROSO
MATERIAL HOUSING THERMOPLASTIC 15% GLASS FIBER, V2, COLOR GREEN (AMP A6484) CONTACT: PHOSPHOROUS BRONZE.
- 13 OBSOLETE PARTS: OBSOLETE CIS STREAMLINING PER D.RENAUD/D.SINISI

V2, COLOR GREEN (AMP A6484)

6	4-	-2
3	4-	-1
13	3	-1
6	2	-4
4	2-	-5
3	2-	-2
13	2	881545-1
6		9
3		-8
13		-7
4		-6
3		-5
6		-4
5		-3
4		-2
3		881545-1

OTHER TREATMENT FINISH MATERIAL PART NUMBER

CUSTOMER DWG
for REFERENCE ONLY

THIS DRAWING IS UNPUBLISHED | RELEASED FOR PUBLICATION

TOLERANCES UNLESS OTHERWISE STATED:
DEC. ±0,5
ANGLES ±1°

INS. DIA. RANGE WIRE RANGE SCALE

DR. *[Signature]* 11-09-88

CHK. *[Signature]* 09-11-88

DESCRIPTION **AMP SHUNT**
LOW PROFILE CONNECTOR ASSY

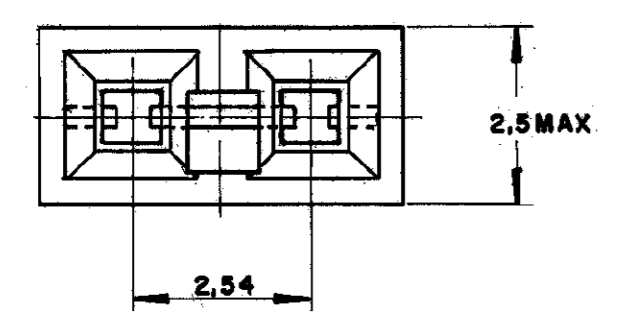
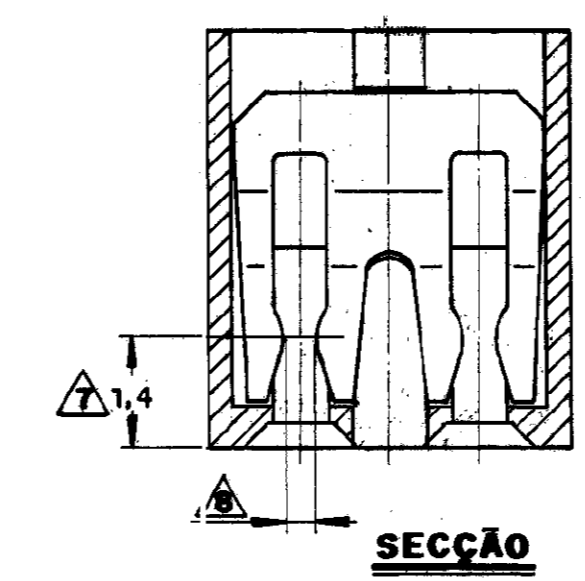
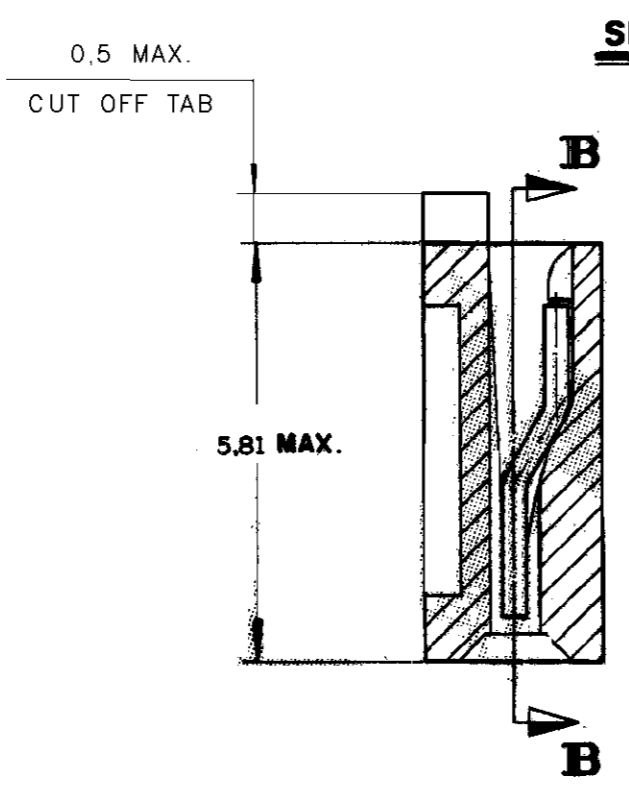
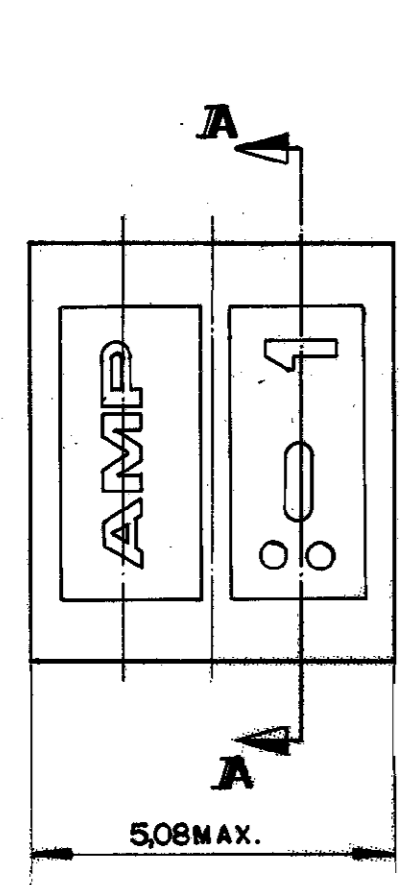
REV. SHEET
A2 DWG NO **C 881545** REV. SHEET **102**

K4	REV. ECO 17-004195	HC	WLS	30MAY11	
K3	REV ECO11-023509	HC	WLS	02DEC11	
K2	REVISED PER ECO-11-005139	RK	HMR	06APR11	
ISS	REVISION RECORD	DR	CHK	DATE	APP. <i>[Signature]</i> 25/12/88

C 881545

DO NOT SCALE
DIMENSIONS IN mm.

METRIC



OBSOLETE 13	1	0	2	0
	2	7	2	7
	2	6	2	6
	2	5	2	5
OBSOLETE 13	1	0	1	0
	1	7	1	7
	1	6	1	6
	1	5	1	5
OBSOLETE 13	1	4	1	4
	1	3	1	3
	1	2	1	2
	1	1	1	1

OTHER TREATMENT	FINISH	MATERIAL	PART NUMBER
CUSTOMER DWG for REFERENCE ONLY			
THIS DRAWING IS UNPUBLISHED RELEASED FOR PUBLICATION			
TOLERANCES UNLESS OTHERWISE STATED: DEC. ±0.5 ANGLES ±1°		INS. DIA. RANGE	WIRE RANGE
DR. <i>[Signature]</i> 11-09-88		STE TE Connectivity	
CHK. <i>[Signature]</i> 08-11-88		DESCRIPTION AMP SHUNT	
DE. <i>[Signature]</i>		LOW PROFILE CONNECTOR ASS'Y	
K3		DWG NO. A2	REV. SHEET 2 OF 2
ISS. REVISION RECORD		DR. <i>[Signature]</i>	DATE 29/11/88

8 7 6 5 4 3 2 1

H G F E D C B A

8 7 6 5 4 3 2 1

H G F E D C B A

X-ON Electronics

Largest Supplier of Electrical and Electronic Components

Click to view similar products for [Headers & Wire Housings](#) category:

Click to view products by [TE Connectivity](#) manufacturer:

Other Similar products are found below :

[892-18-020-10-001101](#) [58102-G61-06LF](#) [582553-1](#) [0009485154](#) [009176003701906](#) [0050291907](#) [LY20-4P-DT1-P1E-BR](#) [02.125.8002.8](#)
[609-3404](#) [61062-3](#) [61082-181009](#) [622-3653LF](#) [63453-116](#) [636-1030](#) [636-1427](#) [636-3427](#) [636-4007](#) [641938-9](#) [641991-4](#) [644827-2](#) [65817-](#)
[010LF](#) [65817-015LF](#) [65863-015LF](#) [66207-023LF](#) [67095-007LF](#) [67601157](#) [68645-018](#) [68648-049](#) [70.362.1628.0](#) [70-4210](#) [70-4226B](#) [70-](#)
[4853B](#) [707-5020](#) [707-5028](#) [71.350.2428.0](#) [71918-208LF](#) [71961-016LF](#) [733-134](#) [733-162](#) [754199-000](#) [760-3052](#) [79531-3000](#) [FCN-](#)
[360C032-B](#) [FCN-367T-T012/H](#) [FCN-723D010/2](#) [80.063.4001.1](#) [800-90-010-10-002000](#) [801-43-002-10-013000](#) [801-43-006-10-002000](#)
[801-93-011-10-001000](#)