

COMPATIBILITY CHART

MATERIAL DASH NO.	ADHESIVE (COATING) SLASH NUMBER	ADHESIVE (COATING) S NUMBER
-3	/42;/86/180	S-1017; S-1048; S-1030
-4	/42;/86/180	S-1017; S-1048; S-1030
-5	/42	S-1017
-12	N/A	N/A
-25	/42;/86/225	S-1017; S-1048; S-1206

ORDERING INFORMATION
 462A214 -X
 -XX /XX -0

BASE PART NUMBER
 MATERIAL DASH NUMBER
 -3 POLYOLEFIN, SEMI RIGID (RT-301)
 -4 POLYOLEFIN, FLEXIBLE (RT-1304)
 -5 ELASTOMER, FLEXIBLE (RT-501)
 -12 FLUORO ELASTOMER, FLEXIBLE (RT-1312)
 -25 ELASTOMER, FLUID RESISTANT (RT-1325)

MODIFICATION NUMBER
 ADHESIVE SLASH NUMBER
 SEE COMPATIBILITY CHART BELOW
 COLOR DESIGNATOR

- NOTES
1. ALL DIMENSIONS ARE IN INCHES [MILLIMETERS] [GMS]
 2. DIMENSIONS APPEARING IN TABLE ARE AS FOLLOWS:
 o - AS SUPPLIED
 b - AFTER UNRESTRICTED RECOVERY
 3. COATING IS OPTIONAL. AS SUPPLIED DIMENSIONS APPEARING IN TABLE ARE FOR UNCOATED PARTS WHEN COATING IS ADDED, ENTRY DIAMETERS WILL BE REDUCED BY 0.06 MAX.
 4. MOLDING PORTS ARE OPTIONAL. WHEN -00 MODIFICATION NUMBER IS SPECIFIED MOLDING PORTS WILL BE LOCATED AS SHOWN.
 5. WEIGHT APPEARING IN TABLE OF DIMENSIONS IS BASED ON POLYOLEFIN PART.

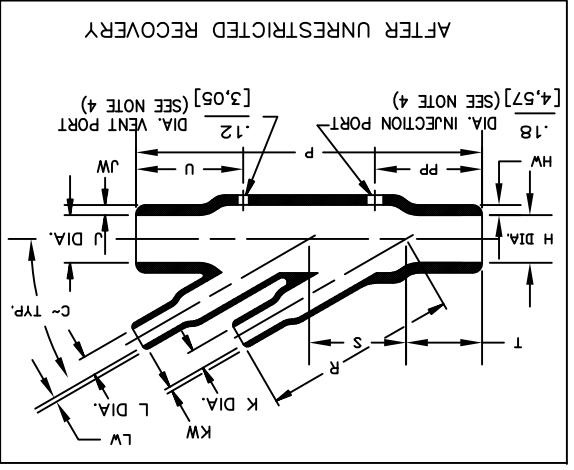
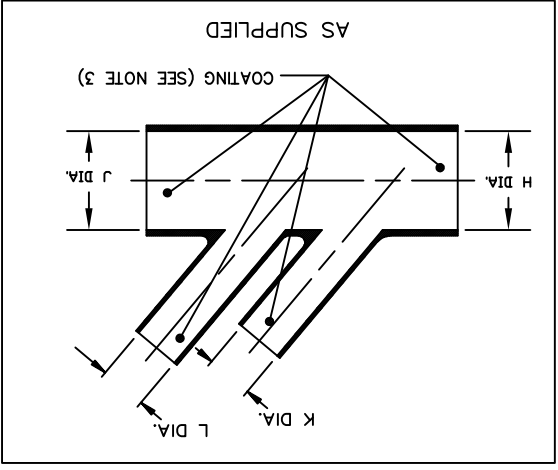


TABLE OF DIMENSIONS

PART DESCRIPTION	462A214	
	MIN	MAX
H & J	[1.20]	[30.5]
K & L	[.60]	[15.2]
K & L	[.25]	[6.3]
P	[.50]	[12.7]
R	[.75]	[19.1]
S	[1.00]	[25.4]
T	[.75]	[19.1]
PP & U	[1.15]	[29.2]
PP & U	[.10]	[2.54]
KW & JW	[.10]	[2.54]
KW & LW	[.05]	[1.27]
PP & U	[.10]	[2.54]
PP & U	[.04]	[1.07]

Raychem Molded Parts
 CUSTOMER DRAWING

THIS DRAWING AND THE INFORMATION SET FORTH HEREON ARE THE PROPERTY OF TYCO ELECTRONICS CORPORATION, AND ARE TO BE HELD IN TRUST AND CONFIDENCE. PUBLICATION, DUPLICATION, DISCLOSURE OR USE FOR ANY PURPOSE, NOT EXPRESSLY AUTHORIZED IN WRITING BY TYCO ELECTRONICS CORPORATION IS PROHIBITED.

APPROVED
M. Mozarregos
 5/08/12

APPROVED
D. Hurrell
 5/10/12

TE Connectivity

RAYCHEM

TRANSITION, TWO 30° SIDE BREAKOUTS

SIZE B
 CODE IDENT. NO. 06090
 DWG. NO. 462A214

DO NOT SCALE THIS DRAWING
 SHEET 1 OF 1

© 2012 Tyco Electronics Corporation. All rights reserved.

DIMENSIONING AND TOLERANCING PER ASME Y14.5M (ISO STANDARDS)

REVISIONS	DESCRIPTION	DATE
LTR	RELEASE PER ECO-12-009123	05/14/2012
G		

X-ON Electronics

Largest Supplier of Electrical and Electronic Components

Click to view similar products for [Cable Boots](#) category:

Click to view products by [TE Connectivity](#) manufacturer:

Other Similar products are found below :

[618235-000](#) [622A014-3-0](#) [CX4132-000](#) [879103-4](#) [879515-000](#) [889092](#) [982033-2](#) [R280576000](#) [1300830729](#) [MTPSRBCL-C](#) [1811481-1](#)
[200W531-3-0](#) [202A121-386-0](#) [202A142-4-00/42-0](#) [202A163-4-0-CS5067](#) [202B221-13-0](#) [202B231-13-0](#) [202B563-25-07-0](#)
[202C621710CS5361](#) [202D132-4-07/42-0](#) [202D221-4-0-CS5349](#) [202D221-4-26-0](#) [202D263-25-08-0](#) [202D263-4-22/42-0](#) [202D263-4-88-0](#)
[202D921-2542-0](#) [202E336-71-0](#) [202F211-50-22-0-CS8474](#) [202F242-50-05-0](#) [202F242-51-04/164-0](#) [202K121-25-CS-1858-0](#) [202K121-25-](#)
[CS-2062-0](#) [202K132-25-01/225-0CS8387](#) [202K153-3-0186-0](#) [202S132-25-UP-0](#) [203W301-3/42-0](#) [207W613-100/184-0-CS5657](#) [207W623-](#)
[100-01/184-0](#) [207W634-100/184-0-CS5657](#) [207W656-100-01/184-0](#) [207W667-100-01/184-0](#) [207W667-100/184-0](#) [208A011-3-0](#) [208A021-3-](#)
[0](#) [221A011-51164-0-CS7133](#) [222A121-2586](#) [222A152-342-0](#) [222A213-25-0-CS5613](#) [222D221-25-13/86-0](#) [222D232-4-61-0-CS5078](#)