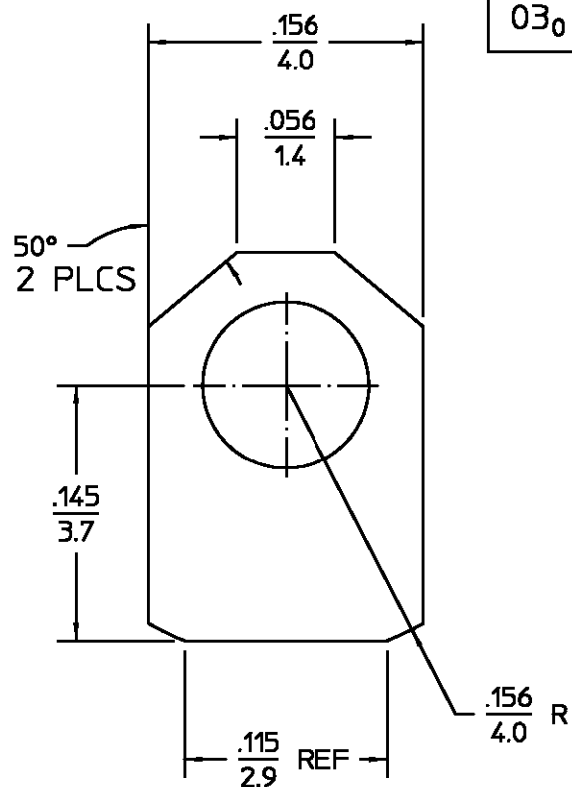
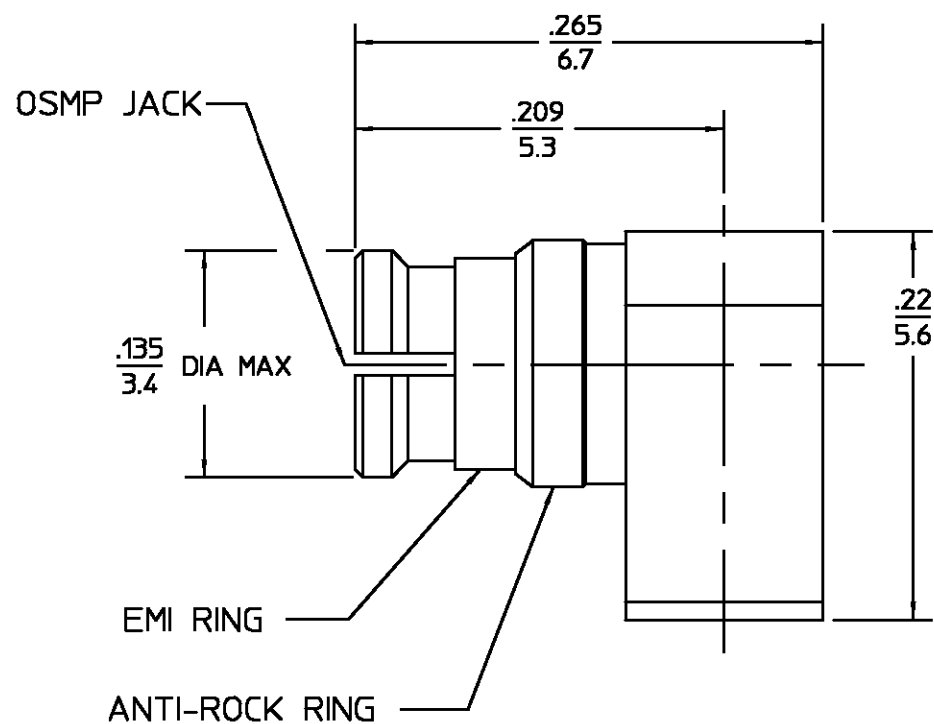


| REVISIONS | | | |
|-----------------|-------------|----------|-----------|
| REV | DESCRIPTION | DATE | APPROVED |
| 03 ₀ | REVISED | 12/07/94 | <i>AD</i> |



| ELECTRICAL | MECHANICAL | ENVIRONMENTAL | HOUSING | MATERIAL | FINISH |
|---|---|---|--|--|--|
| Nominal Impedance (Ohms) <u>50</u> | Force to Engage (Lbs MAX) <u>15</u> | Temperature Rating <u>-65°C To +125°C</u> | DIELECTRIC | BERYLLIUM COPPER PER ASTM-B-196, ALLOY C17300, CONDITION H | GOLD PLATE PER MIL-G-45204 |
| Frequency Range (GHz) DC to <u>26.5</u> | Disengage (Lbs MIN) <u>2.0</u> | Vibration MIL-STD-202, Method 204, Condition D | CENTER CONTACT CONTACT FINGER | PTFE FLUOROCARBON PER ASTM-D-1457 | N/A |
| Volt Rating (VRMS MAX) @ Sea Level <u>250</u> | Center Contact Retention <u>1.5 Lbs MIN</u> | Thermal Shock MIL-STD-202, Method 107, Condition B, | ANTI-ROCK RING | BERYLLIUM COPPER PER ASTM B 196, ALLOY C17300, CONDITION H | GOLD PLATE PER MIL-G-45204 |
| VSWR <u>1.25 MAX @ 26.5 GHz</u> | Durability <u>100 cycles</u> | Corrosion - MIL-STD-202, Method 101, Condition B | EMI RING | | |
| Insertion Loss <u>.12f GHz dB MIN</u> | | | COMPONENT | MATERIAL | FINISH |
| Corona, 70,000 Ft (VRMS MIN) <u>190</u> | | | UNLESS OTHERWISE SPECIFIED DIMENSIONS ARE IN INCHES | DRAWN BY <i>RAC</i> DATE <u>4/15/93</u> | AMP Incorporated |
| Dielectric Withstanding Voltage (VRMS MIN) @ Sea Level <u>500</u> | DESIGNED FOR USE WITH <u>.085 DIA S.R.</u> | | FRAC. DEC. ANGLES | CHECKED BY <i>[Signature]</i> | 140 Fourth Avenue |
| Contact Resistance (Milliohms MAX) Center Contact <u>6.0</u> Outer Contact <u>2.0</u> | CABLE ENTRY DIAMETER MINIMUM | | <u>± 1/64 ±.005 ± 1°</u> | APPD BY <i>[Signature]</i> <u>4/21/93</u> | Waltham, MA 02451-7599 |
| Cable to Housing <u>0.5</u> | HOUSING <u>.089</u> | | These drawings and specifications are the property of AMP Incorporated and shall not be reproduced or copied or used in whole or in part as the basis for the manufacture or sale of item(s) without written permission. | USE ASSY PROCEDURE | TITLE |
| RF High Potential @ Sea Level (VRMS MIN @ 5 MHz) <u>325</u> | | <u>.XXX = in</u> <u>XX.X = mm (REF)</u> | | 408-04740 | OSMP RIGHT ANGLE CABLE JACK DIRECT SOLDER ATTACHMENT |
| LR.(Megohms MIN) <u>5000</u> | | | | NO. A.P. <u>29-002</u> | SIZE B CODE IDENT NO. 26805 2908-7985-62 REV 03 ₀ |
| | | | | | SCALE 10:1 SHEET 1 OF 1 |

CUSTOMER DRAWING

AMP PART # 1056554-1
SHEET 1 OF 1 REV A

X-ON Electronics

Largest Supplier of Electrical and Electronic Components

Click to view similar products for [RF Connectors](#) / [Coaxial Connectors](#) category:

Click to view products by [TE Connectivity](#) manufacturer:

Other Similar products are found below :

[R125315120](#) [8915-1511-000](#) [89674-0827](#) [5916-1103-603](#) [6-0001-3](#) [6001-7071-019](#) [6002-7051-003](#) [6002-7551-202](#) [6059674-1](#) [619550-1](#)
[630059-000](#) [M39012/25-0021](#) [M39012/79-3008](#) [M39030/3-01N](#) [M39030/3-03N](#) [M3933/25-36N](#) [6500-7071-046](#) [M83723/72W24576](#)
[M83723/72W2457N](#) [6769](#) [CX050L2AQ](#) [7002-1541-010](#) [7002-1572-002](#) [7003-1572-002](#) [7010-1511-000](#) [7029-1511-060](#) [7101-1541-010](#)
[7101-1571-002](#) [7105-1521-002](#) [7145-1521-002](#) [7209-1511-011](#) [7210-1511-015](#) [7210-1511-019](#) [7225-1512-050](#) [7242-1511-000](#) [73137-5015](#)
[73251-0111](#) [73251-0672](#) [7325-1512-000](#) [73276-1501](#) [73366-0013](#) [73404-2300](#) [73413-6080](#) [73415-5721](#) [7405-1521-005](#) [7405-1521-802](#)
[7406-1521-005](#) [804S01D04M040](#) [8145-1521-002](#) [81590](#)