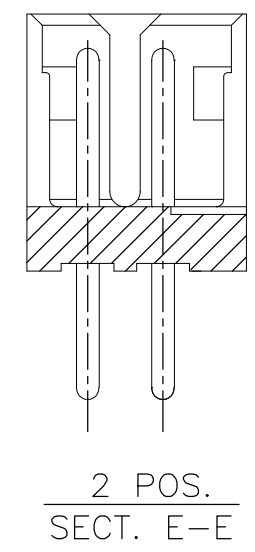
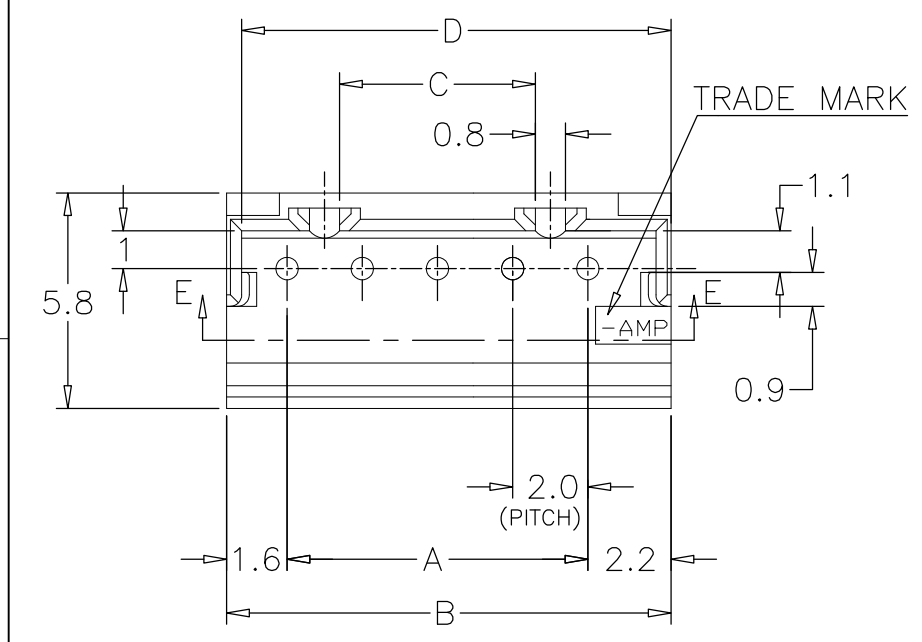
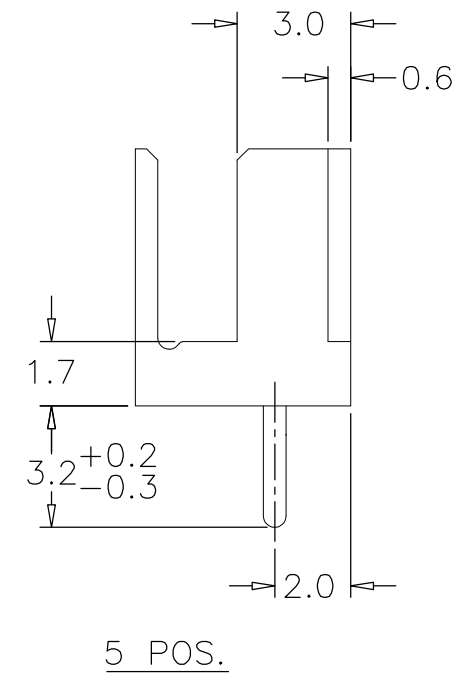
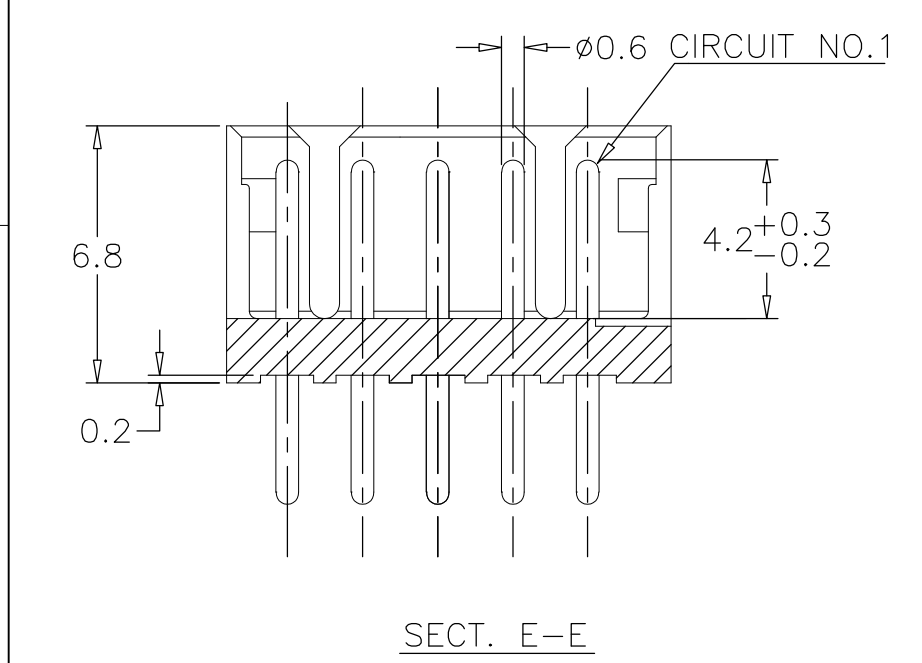
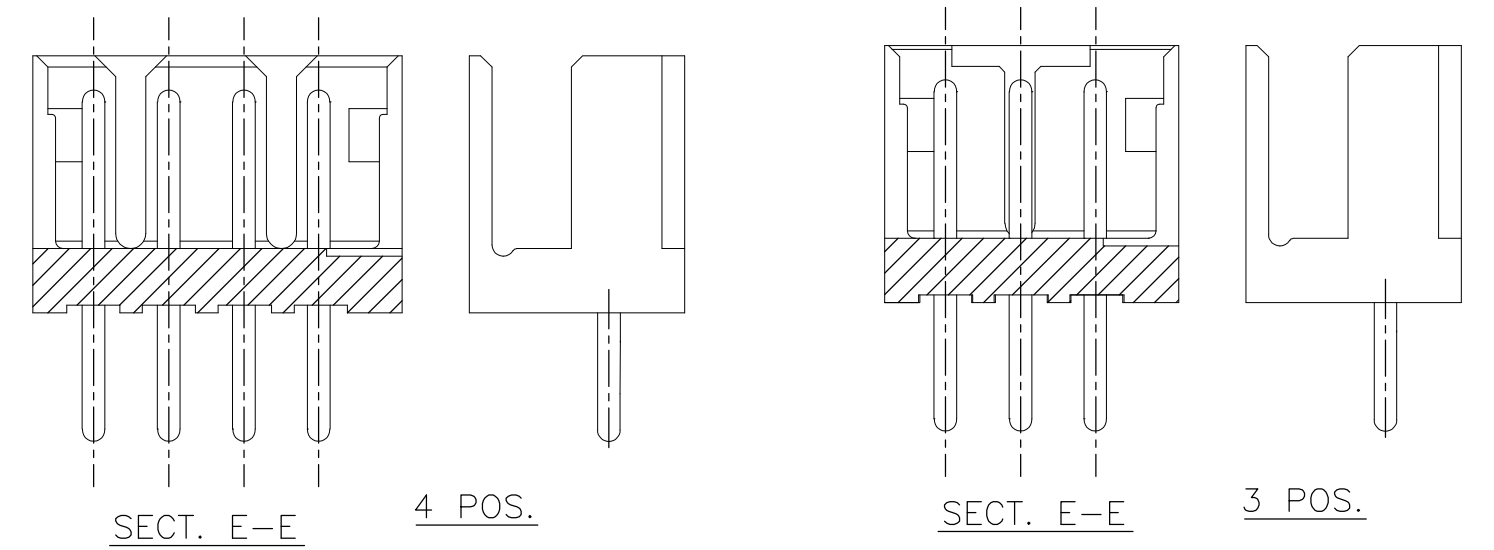


THIS DRAWING IS UNPUBLISHED. RELEASED FOR PUBLICATION  
 © COPYRIGHT - By - ALL RIGHTS RESERVED.

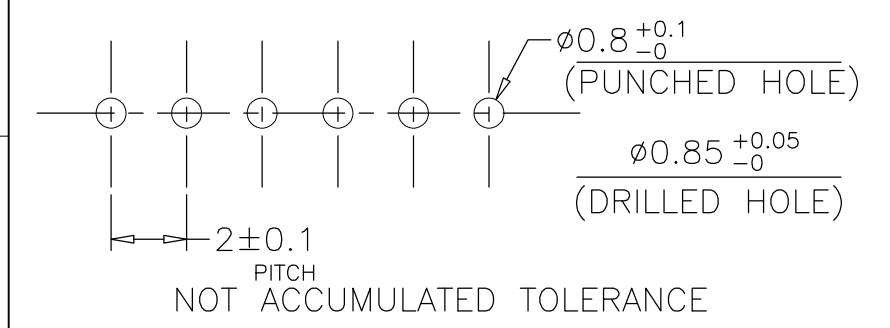
LOC	DIST	REVISIONS					
FB	00	P	LTR	DESCRIPTION	DATE	DWN	APVD
		P		REVISED PER ECO-11-005033	25MAR11	RK	HMR



- NOTES:  
 1 MATERIAL : HOUSING-66 NYLON (UL94V-0)  
 POST -TIN BRASS  
 2 THIS PRODUCT IS W/O KINK OF P/N 292132  
 3 APPLICABLE RECEPTACLE : P/N 173977



			1-292133-5	15	28	31.8	25.2	31.0
			1-4	14	26	29.8	23.2	29.0
			1-3	13	24	27.8	21.2	27.0
			1-2	12	22	25.8	19.2	25.0
			1-1	11	20	23.8	17.2	23.0
			1-0	10	18	21.8	15.2	21.0
			-9	9	16	19.8	13.2	19.0
			-8	8	14	17.8	11.2	17.0
			-7	7	12	15.8	9.2	15.0
			-6	6	10	13.8	7.2	13.0
			-5	5	8	11.8	5.2	11.0
			-4	4	6	9.8	3.2	9.0
6-292133-3	4-292133-3	2-292133-3	-3	3	4	7.8	-	7.0
			292133-2	2	2	5.8	-	5.0
BLACK	YELLOW	BLUE	NATURAL	POS.	A	B	C	D



RECOMMENDABLE P.C. BOARD LAYOUT  
 (PCB THK : 0.8-1.6)

TOLERANCES UNLESS OTHERWISE SPECIFIED:

10 > * :	± 0.2
30 > * > 10 :	± 0.25
100 > * > 30 :	± 0.3
ANGEL :	± 3°

THIS DRAWING IS A CONTROLLED DOCUMENT.

DIMENSIONS: mm

TOLERANCES UNLESS OTHERWISE SPECIFIED:  
 0 PLC ± -  
 1 PLC ± -  
 2 PLC ± -  
 3 PLC ± -  
 4 PLC ± -  
 ANGLES ± -  
 FINISH ± -

MATERIAL: SEE NOTE

DWN: S.XU 31JAN03  
 CHK: S.YAO 31JAN03  
 APVD: T.SASAKI 31JAN03

PRODUCT SPEC: 108-60016

APPLICATION SPEC: -

WEIGHT: -

CUSTOMER DRAWING

STE TE Connectivity

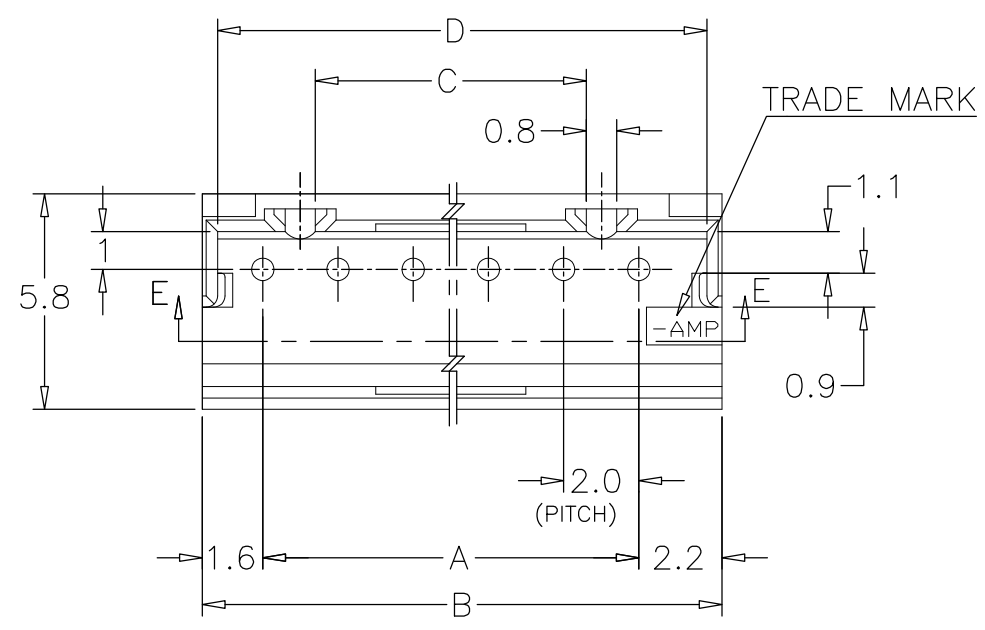
NAME: POST HEADER ASS'Y (BOX-V TYPE) W/O KINK AMP CT CONNECTOR 2mm PITCH

SIZE: A3 CAGE CODE: 00779 DRAWING NO: C-292133 RESTRICTED TO: -

SCALE: 5:1 SHEET: 1 OF 2 REV: P

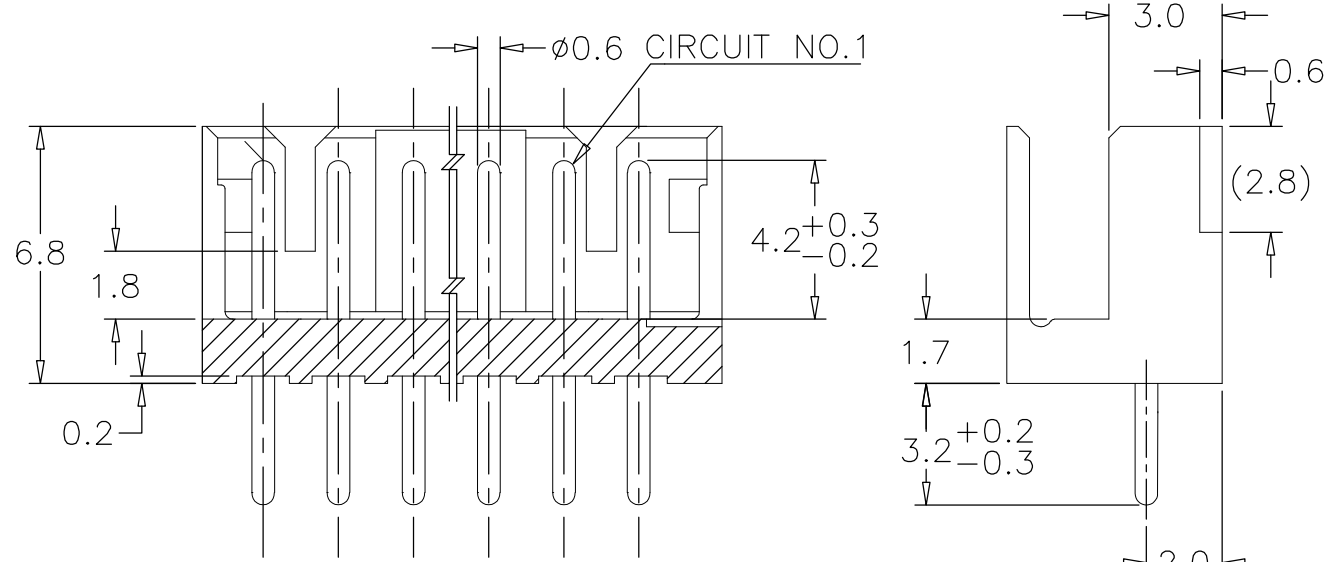
THIS DRAWING IS UNPUBLISHED. RELEASED FOR PUBLICATION  
 © COPYRIGHT - By - ALL RIGHTS RESERVED.

LOC	DIST	REVISIONS					
FB	00	P	LTR	DESCRIPTION	DATE	DWN	APVD
		-		SEE SHEET 1	-	-	-

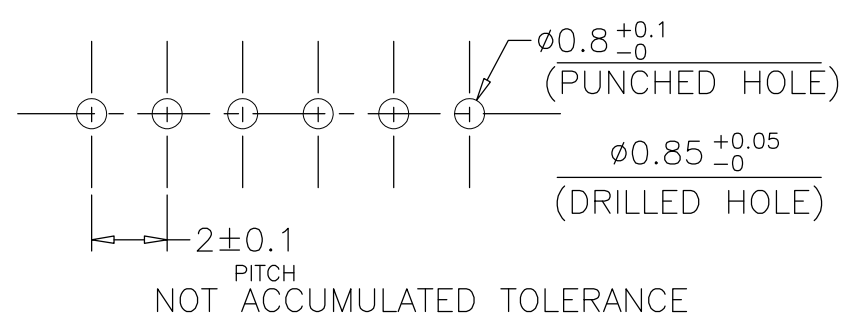


NOTES:

- 1 MATERIAL : HOUSING-66 NYLON (UL94V-0)  
POST -TIN BRASS
- 2 THIS PRODUCT IS W/O KINK OF P/N 292132
- 3 APPLICABLE RECEPTACLE : P/N 173977



				1-292133-5	15	28	31.8	25.2	31.0
				1-4	14	26	29.8	23.2	29.0
				1-3	13	24	27.8	21.2	27.0
				1-2	12	22	25.8	19.2	25.0
				1-1	11	20	23.8	17.2	23.0
				1-0	10	18	21.8	15.2	21.0
				-9	9	16	19.8	13.2	19.0
				-8	8	14	17.8	11.2	17.0
				-7	7	12	15.8	9.2	15.0
				-6	6	10	13.8	7.2	13.0
				-5					
				-4					
6-292133-3	4-292133-3	2-292133-3		-3					
				292133-2					
BLACK	YELLOW	BLUE		NATURAL	POS.	A	B	C	D



RECOMMENDABLE P.C. BOARD LAYOUT  
 (PCB THK : 0.8-1.6)

THIS DRAWING IS A CONTROLLED DOCUMENT. DWN 27DEC2002

CHK -

APVD -

PRODUCT SPEC -

APPLICATION SPEC -

WEIGHT -

CUSTOMER DRAWING

SCALE 5:1

SHEET 2 OF 2

REV P

**STE** TE Connectivity

NAME POST HEADER ASS'Y (BOX-V TYPE) W/O KINK  
AMP CT CONNECTOR 2mm PITCH

SIZE A3 CAGE CODE 00779 DRAWING NO C-292133 RESTRICTED TO -

## X-ON Electronics

Largest Supplier of Electrical and Electronic Components

*Click to view similar products for [Headers & Wire Housings](#) category:*

*Click to view products by [TE Connectivity](#) manufacturer:*

Other Similar products are found below :

[892-18-020-10-001101](#) [58102-G61-06LF](#) [582553-1](#) [0009485154](#) [009176003701906](#) [0050291907](#) [LY20-4P-DT1-P1E-BR](#) [02.125.8002.8](#)  
[609-3404](#) [61062-3](#) [61082-181009](#) [622-3653LF](#) [63453-116](#) [636-1030](#) [636-1427](#) [636-3427](#) [636-4007](#) [641938-9](#) [641991-4](#) [644827-2](#) [65817-](#)  
[010LF](#) [65817-015LF](#) [65863-015LF](#) [66207-023LF](#) [67095-007LF](#) [67601157](#) [68645-018](#) [68648-049](#) [70.362.1628.0](#) [70-4210](#) [70-4226B](#) [70-](#)  
[4853B](#) [707-5020](#) [707-5028](#) [71.350.2428.0](#) [71918-208LF](#) [71961-016LF](#) [733-134](#) [733-162](#) [754199-000](#) [760-3052](#) [787-8014-00](#) [79531-3000](#)  
[FCN-360C032-B](#) [FCN-367T-T012/H](#) [FCN-723D010/2](#) [80.063.4001.1](#) [800-90-001-10-001000](#) [800-90-010-10-002000](#) [801-43-002-10-013000](#)