


THIS DRAWING IS UNPUBLISHED. RELEASED FOR PUBLICATION
 © COPYRIGHT - By - ALL RIGHTS RESERVED.

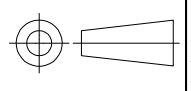
LOC FB	DIST 00	REVISIONS			
P	LTR	DESCRIPTION	DATE	DWN	APVD
	P	REVISED PER ECO-11-005033	29MAR11	RK	HMR

NAME	POS	IN TUBE P/N	QTY'S	CT POST HDR ASS'Y (BOX-H DIP)	COLOR	NAME	POS	IN TUBE P/N	QTY'S	CT POST HDR ASS'Y (BOX-H DIP)	COLOR												
TUBE PACKING AMP CT CONN POST HDR ASS'Y (BOX-H DIP)						TUBE PACKING AMP CT CONN POST HDR ASS'Y (BOX-H DIP)																	
												12		3-292164-2			15		3-292250-2			BLUE	
												11		3- -1			20		3- -1				
												10		3- -0			20		3- -0				
												9		2- -9			20		2- -9				
												8		2- -8			25		2- -8				
												7		2- -7			30		2- -7				
												6		2- -6			30		2- -6				
												5		2- -5			40		2- -5				
												4		2- -4			45		2- -4				
												3		2- -3			60		2- -3				
												2		2-292164-2			80		2-292250-2				
												15		1-292164-5			15		1-292250-5				NATURAL (WHITE)
												14		1- -4			15		1- -4				
												13		1- -3			15		1- -3				
12		1- -2			15		1- -2																
11		1- -1			20		1- -1																
10		1- -0			20		1- -0																
9		-9			20		-9																
8		-8			25		-8																
7		-7			30		-7																
6		-6			30		-6																
5		-5			40		-5																
4		-4			45		-4																
3		-3			60		-3																
2		292164-2			80		292250-2																

- NOTE:
1. TUBE P/N: 6-720999-1 (P.V.C)
 2. THIS PRODUCT IS IN TUBE PACKING OF P/N 292250

THIS DRAWING IS A CONTROLLED DOCUMENT.

DWN J.JIANG 23JAN03	 TE Connectivity TUBE PACKING AMP CT CONN. POST HDR ASS'Y (BOX-H DIP)			
CHK S.YAO 23JAN03				
APVD T.SASAKI 23JAN03				
PRODUCT SPEC 108-60016				
APPLICATION SPEC	NAME			
WEIGHT	SIZE A3	CAGE CODE 00779	DRAWING NO C-292164	RESTRICTED TO
CUSTOMER DRAWING		SCALE //	SHEET 1 OF 1	REV P

DIMENSIONS: mm	TOLERANCES UNLESS OTHERWISE SPECIFIED:
	0 PLC ± -
	1 PLC ± -
	2 PLC ± -
	3 PLC ± -
	4 PLC ± -
	ANGLES ± -
MATERIAL	FINISH

X-ON Electronics

Largest Supplier of Electrical and Electronic Components

Click to view similar products for [Headers & Wire Housings](#) category:

Click to view products by [TE Connectivity](#) manufacturer:

Other Similar products are found below :

[892-18-020-10-001101](#) [58102-G61-06LF](#) [582553-1](#) [0009485154](#) [009176003701906](#) [0050291907](#) [LY20-4P-DT1-P1E-BR](#) [02.125.8002.8](#)
[609-3404](#) [61062-3](#) [61082-181009](#) [622-3653LF](#) [63453-116](#) [636-1030](#) [636-1427](#) [636-3427](#) [636-4007](#) [641938-9](#) [641991-4](#) [644827-2](#) [65817-010LF](#) [65817-015LF](#) [65863-015LF](#) [66207-023LF](#) [67095-007LF](#) [67601157](#) [68645-018](#) [68648-049](#) [70.362.1628.0](#) [70-4210](#) [70-4226B](#) [70-4853B](#) [707-5020](#) [707-5028](#) [71.350.2428.0](#) [71918-208LF](#) [71961-016LF](#) [733-134](#) [733-162](#) [754199-000](#) [760-3052](#) [787-8014-00](#) [79531-3000](#)
[FCN-360C032-B](#) [FCN-367T-T012/H](#) [FCN-723D010/2](#) [80.063.4001.1](#) [800-90-001-10-001000](#) [800-90-010-10-002000](#) [801-43-002-10-013000](#)