


THIS DRAWING IS UNPUBLISHED. RELEASED FOR PUBLICATION
 © COPYRIGHT - By - ALL RIGHTS RESERVED.

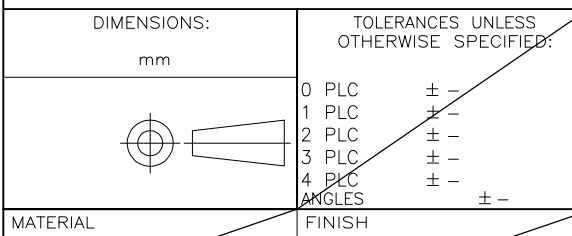
| | | | | | | | |
|-----|------|-----------|-----|---------------------------|---------|-----|------|
| LOC | DIST | REVISIONS | | | | | |
| FB | 00 | P | LTR | DESCRIPTION | DATE | DWN | APVD |
| | | P | | REVISED PER ECO-11-005033 | 25MAR11 | RK | HMR |

| NAME | POS | IN TUBE P/N | QTY'S | CT POST HDR ASS'Y (BOX-V DIP) | COLOR | NAME | POS | IN TUBE P/N | QTY'S | CT POST HDR ASS'Y (BOX-V DIP) | COLOR |
|--|-----|-------------|-------|-------------------------------|--------|--|-----|-------------|-------|-------------------------------|-----------------|
| TUBE PACKING AMP CT CONN POST HDR ASS'Y (BOX-V DIP) | 15 | 7-292165-5 | 15 | 7-292132-5 | BLACK | TUBE PACKING AMP CT CONN POST HDR ASS'Y (BOX-V DIP) | 15 | 3-292165-5 | 15 | 3-292132-5 | BLUE |
| | 14 | 7-4 | 15 | 7-4 | | | | | | | |
| | 13 | 7-3 | 15 | 7-3 | | | | | | | |
| | 12 | 7-2 | 15 | 7-2 | | | | | | | |
| | 11 | 7-1 | 20 | 7-1 | | | | | | | |
| | 10 | 7-0 | 20 | 7-0 | | | | | | | |
| | 9 | 6-9 | 20 | 6-9 | | | | | | | |
| | 8 | 6-8 | 25 | 6-8 | | | | | | | |
| | 7 | 6-7 | 30 | 6-7 | | | | | | | |
| | 6 | 6-6 | 30 | 6-6 | | | | | | | |
| | 5 | 6-5 | 40 | 6-5 | | | | | | | |
| | 4 | 6-4 | 45 | 6-4 | | | | | | | |
| | 3 | 6-3 | 60 | 6-3 | | | | | | | |
| | 2 | 6-292165-2 | 80 | 6-292132-2 | | | | | | | |
| | 15 | 5-292165-5 | 15 | 5-292132-5 | | | | | | | |
| TUBE PACKING AMP CT CONN POST HDR ASS'Y (BOX-V DIP) | 14 | 5-4 | 15 | 5-4 | YELLOW | TUBE PACKING AMP CT CONN POST HDR ASS'Y (BOX-V DIP) | 14 | 1-4 | 15 | 1-4 | NATURAL (WHITE) |
| | 13 | 5-3 | 15 | 5-3 | | | | | | | |
| | 12 | 5-2 | 15 | 5-2 | | | | | | | |
| | 11 | 5-1 | 20 | 5-1 | | | | | | | |
| | 10 | 5-0 | 20 | 5-0 | | | | | | | |
| | 9 | 4-9 | 20 | 4-9 | | | | | | | |
| | 8 | 4-8 | 25 | 4-8 | | | | | | | |
| | 7 | 4-7 | 30 | 4-7 | | | | | | | |
| | 6 | 4-6 | 30 | 4-6 | | | | | | | |
| | 5 | 4-5 | 40 | 4-5 | | | | | | | |
| | 4 | 4-4 | 45 | 4-4 | | | | | | | |
| | 3 | 4-3 | 60 | 4-3 | | | | | | | |
| | 2 | 4-292165-2 | 80 | 4-292132-2 | | | | | | | |
| | | | | | | | | | | | |
| | | | | | | | | | | | |
| | | | | | | | | | | | |

- NOTE:
1. TUBE P/N: 8-720998-8 (P.V.C)
 2. THIS PRODUCT IS IN TUBE PACKING OF P/N 292132

THIS DRAWING IS A CONTROLLED DOCUMENT.

| | | | |
|------------------|---|------------|--|
| DWN | J.JIANG | 23JAN03 |  TE Connectivity |
| CHK | S.YAO | 23JAN03 | |
| APVD | T.SASAKI | 23JAN03 | |
| NAME | TUBE PACKING AMP CT CONN. POST HDR ASS'Y (BOX-V DIP) | | |
| PRODUCT SPEC | 108-60016 | | |
| APPLICATION SPEC | | | |
| SIZE | CAGE CODE | DRAWING NO | RESTRICTED TO |
| A3 | 00779 | C-292165 | - |
| CUSTOMER DRAWING | | | SCALE |
| | | | 1 OF 1 |
| | | | REV P |



X-ON Electronics

Largest Supplier of Electrical and Electronic Components

Click to view similar products for [Headers & Wire Housings](#) category:

Click to view products by [TE Connectivity](#) manufacturer:

Other Similar products are found below :

[892-18-020-10-001101](#) [58102-G61-06LF](#) [582553-1](#) [0009485154](#) [009176003701906](#) [0050291907](#) [LY20-4P-DT1-P1E-BR](#) [02.125.8002.8](#)
[609-3404](#) [61062-3](#) [61082-181009](#) [622-3653LF](#) [63453-116](#) [636-1030](#) [636-1427](#) [636-3427](#) [636-4007](#) [641938-9](#) [641991-4](#) [644827-2](#) [65817-010LF](#) [65817-015LF](#) [65863-015LF](#) [66207-023LF](#) [67095-007LF](#) [67601157](#) [68645-018](#) [68648-049](#) [70.362.1628.0](#) [70-4210](#) [70-4226B](#) [70-4853B](#) [707-5020](#) [707-5028](#) [71.350.2428.0](#) [71918-208LF](#) [71961-016LF](#) [733-134](#) [733-162](#) [754199-000](#) [760-3052](#) [787-8014-00](#) [79531-3000](#)
[FCN-360C032-B](#) [FCN-367T-T012/H](#) [FCN-723D010/2](#) [80.063.4001.1](#) [800-90-001-10-001000](#) [800-90-010-10-002000](#) [801-43-002-10-013000](#)