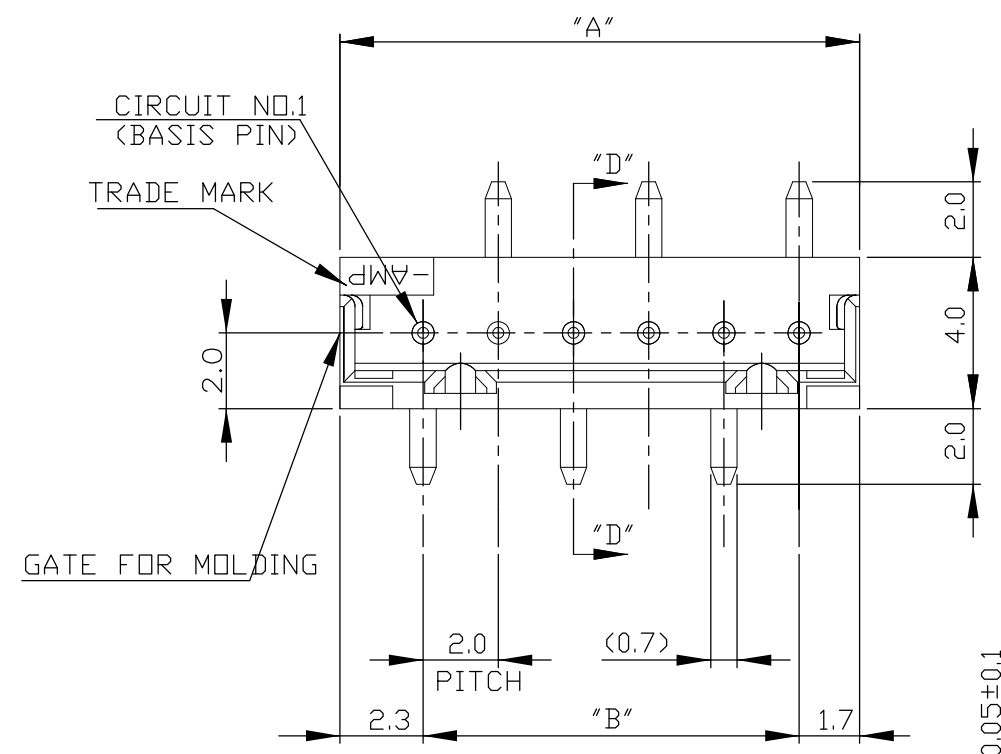
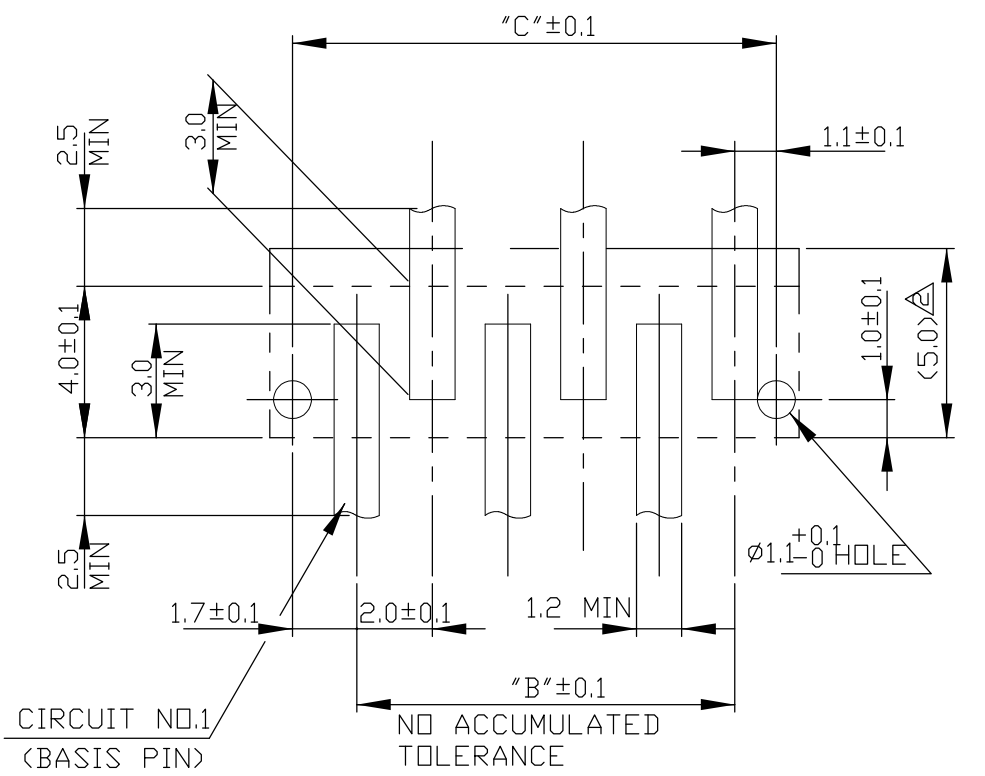
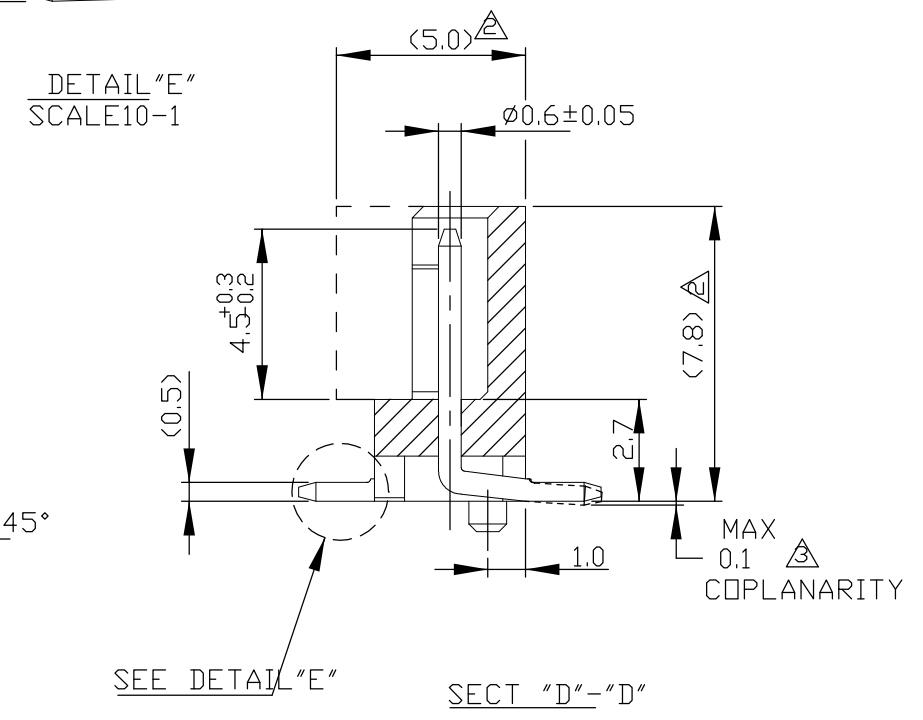
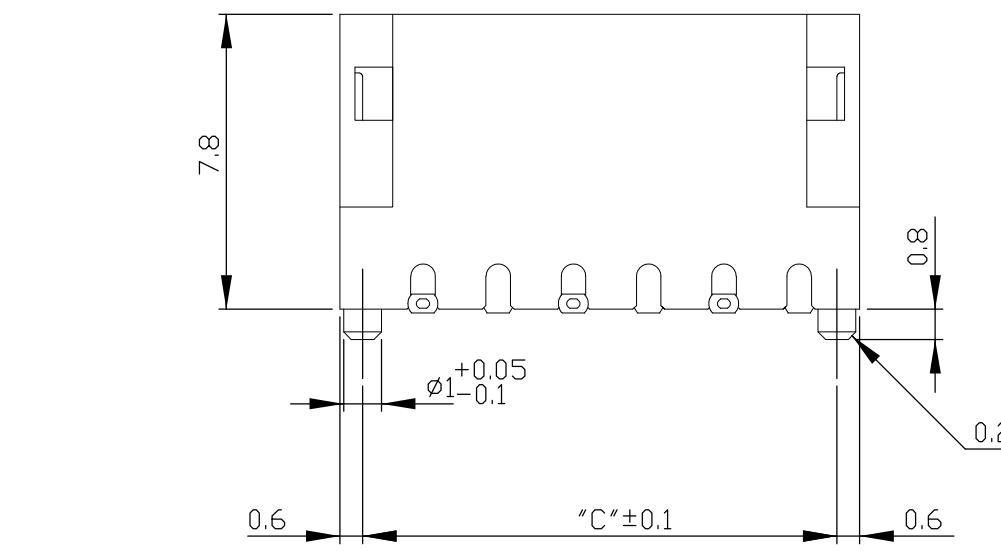


THIS DRAWING IS UNPUBLISHED. RELEASED FOR PUBLICATION
 © COPYRIGHT - By - ALL RIGHTS RESERVED.

LOC	DIST	REVISIONS					
FB	00	P	LTR	DESCRIPTION	DATE	DWN	APVD
			A1	REVISED PER ECO-11-005033	26MAR11	RK	HMR

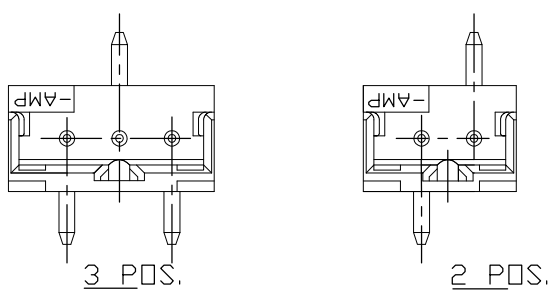


- MATERIAL: HOUSING-6T PA G.F.30%(UL94V0)
 COLOR- BLACK OR NATURAL
 POST- TIN BRASS
- △ OCCUPANT AREA ON PC BOARD
 (AFTER CONNECTOR MATING)
- △ TO BE MEASURED WITH CONNECTOR PLCD ON
 HORIZONTAL DATUM SURFACE, FLOAT OF SOLDER
 TINE FROM DATUM SURFACE IS 0.1mm MAX.
- TUBE P/N 8-720999-6
- PRODUCT MUST COME OUT SMOOTHLY FROM
 TUBE AT INCLINING THE TUBE TO 45°



RECOMMENDED P.C.BOARD
 (P.C.B. THK:0.8mm MIN)

20	20.0	16.0	18.8	9	6-292171-9	292171-9
25	18.0	14.0	16.8	8	6- -8	-8
30	16.0	12.0	14.8	7	6- -7	-7
30	14.0	10.0	12.8	6	6- -6	-6
40	12.0	8.0	10.8	5	6- -5	-5
45	10.0	6.0	8.8	4	6- -4	-4
60	8.0	4.0	6.8	3	6- -3	-3
80	6.0	2.0	4.8	2	6-292171-2	292171-2
QTY'S/ TUBE	"A"	"B"	"C"	POS.	NATURAL	BLACK



TOLERANCES UNLESS OTHERWISE SPECIFIED:

10 > *	: ±0.2
30 > * > 10	: ±0.25
100 > * > 30	: ±0.3
ANGEL	: ±3°

THIS DRAWING IS A CONTROLLED DOCUMENT.

DIMENSIONS: mm	TOLERANCES UNLESS OTHERWISE SPECIFIED: 0 PLC ± - 1 PLC ± - 2 PLC ± - 3 PLC ± - 4 PLC ± - ANGLES ± - FINISH	DWN J.JIANG 23JAN03 CHK S.YAO 23JAN03 APVD T.SASAKI 23JAN03 PRODUCT SPEC 108-60016 APPLICATION SPEC	TE Connectivity TUBE PACKING AMP CT CONN POST HDR ASS'Y (STD-V SMT)	
MATERIAL		WEIGHT	SIZE A3	CAGE CODE 00779
		CUSTOMER DRAWING	DRAWING NO C-292171	RESTRICTED TO
		SCALE 1:1	SHEET 1 OF 1	REV A1

X-ON Electronics

Largest Supplier of Electrical and Electronic Components

Click to view similar products for [Headers & Wire Housings](#) category:

Click to view products by [TE Connectivity](#) manufacturer:

Other Similar products are found below :

[892-18-020-10-001101](#) [58102-G61-06LF](#) [582553-1](#) [0009485154](#) [009176003701906](#) [0050291907](#) [LY20-4P-DT1-P1E-BR](#) [02.125.8002.8](#)
[609-3404](#) [61062-3](#) [61082-181009](#) [622-3653LF](#) [63453-116](#) [636-1030](#) [636-1427](#) [636-3427](#) [636-4007](#) [641938-9](#) [641991-4](#) [644827-2](#) [65817-](#)
[010LF](#) [65817-015LF](#) [65863-015LF](#) [66207-023LF](#) [67095-007LF](#) [67601157](#) [68645-018](#) [68648-049](#) [70.362.1628.0](#) [70-4210](#) [70-4226B](#) [70-](#)
[4853B](#) [707-5020](#) [707-5028](#) [71.350.2428.0](#) [71918-208LF](#) [71961-016LF](#) [733-134](#) [733-162](#) [754199-000](#) [760-3052](#) [79531-3000](#) [FCN-](#)
[360C032-B](#) [FCN-367T-T012/H](#) [FCN-723D010/2](#) [80.063.4001.1](#) [800-90-010-10-002000](#) [801-43-002-10-013000](#) [801-43-006-10-002000](#)
[801-93-011-10-001000](#)