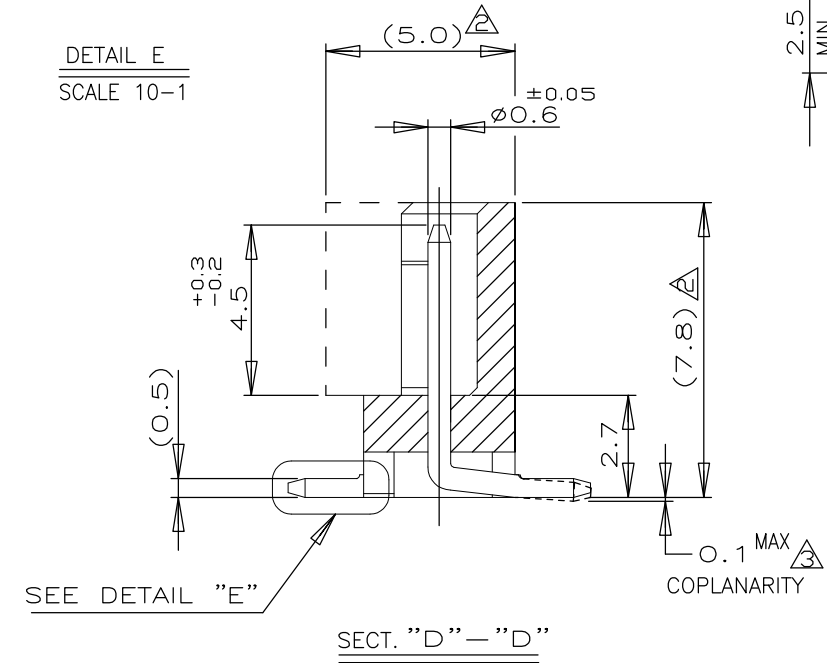
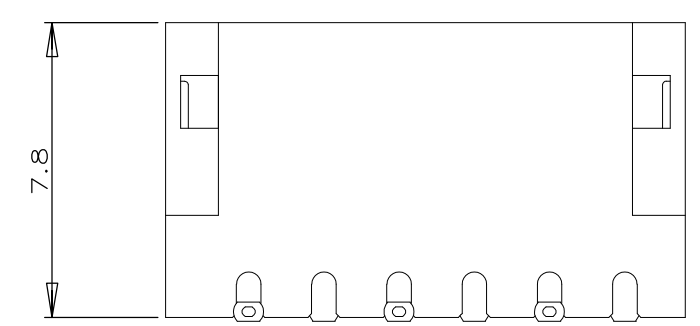
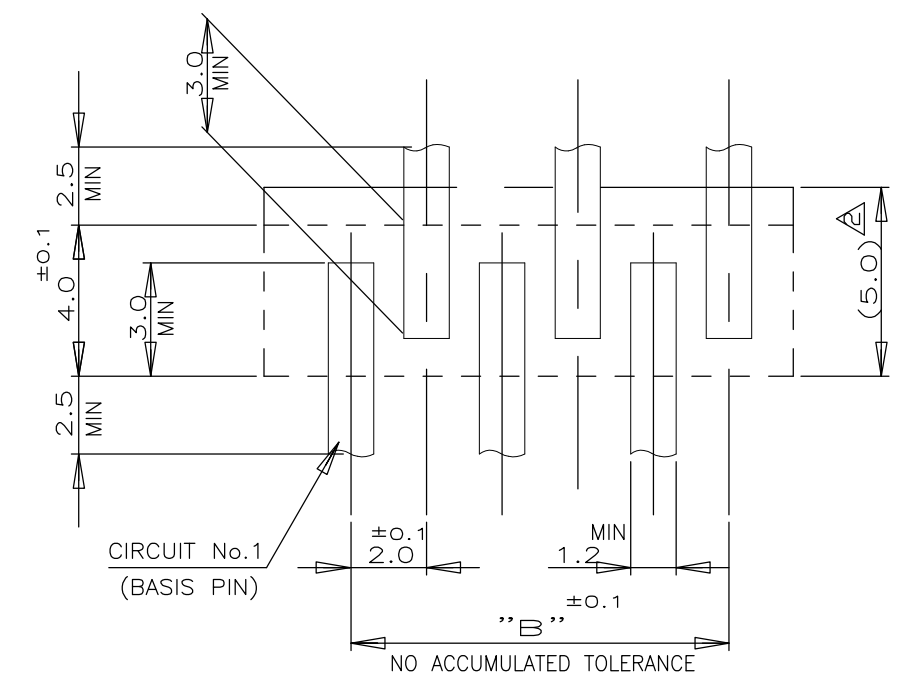
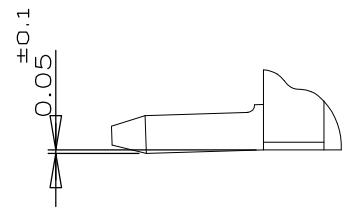
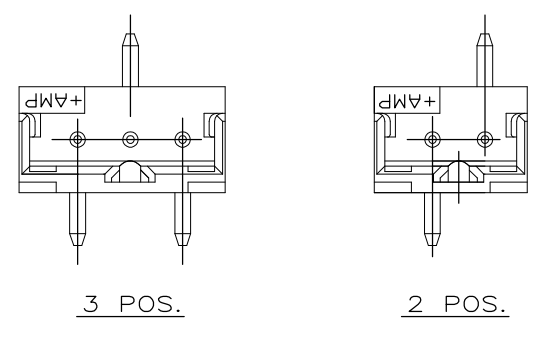
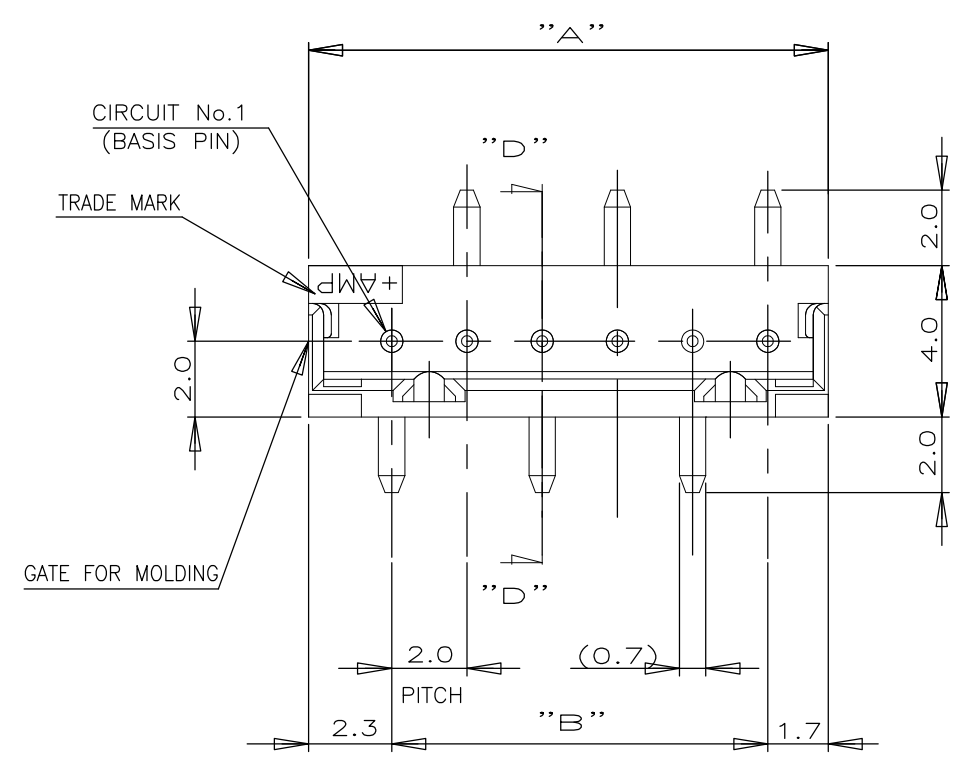


THIS DRAWING IS UNPUBLISHED. RELEASED FOR PUBLICATION
 © COPYRIGHT - By - ALL RIGHTS RESERVED.

LOC	DIST	REVISIONS					
FB	00	P	LTR	DESCRIPTION	DATE	DWN	APVD
			A1	REVISED PER ECO-11-005033	28MAR11	RK	HMR



- NOTES;
- MATERIAL : HOUSING - 6T PA G.F.30% (UL94V-0)
 COLOR BLACK OR NATURAL
 POST - TIN BRASS
 - △ OCCUPANT AREA ON PC BOARD
 (AFTER CONNECTOR MATING)
 - △ TO BE MEASURED WITH CONNECTOR PLACED ON HORIZONTAL DATUM SURFACE, FLOAT OF SOLDER TINE FROM DATUM SURFACE IS 0.1mm MAX
 - PART NUMBER FOR TUBE: 8-720999-6
 - PRODUCT MUST COME OUT SMOOTHLY FROM TUBE AT INCLINING THE TUBE TO 45°

20	20.0	16.0	9	6-292172-9	292172-9
25	18.0	14.0	8	6- ↑ -8	↑ -8
30	16.0	12.0	7	6- ↑ -7	↑ -7
30	14.0	10.0	6	6- ↑ -6	↑ -6
40	12.0	8.0	5	6- ↑ -5	↑ -5
45	10.0	6.0	4	6- ↑ -4	↑ -4
60	8.0	4.0	3	6- ↑ -3	↑ -3
80	6.0	2.0	2	6-292172-2	292172-2
QTY'S/TUBE	"A"	"B"	Pos.	NATURAL	BLACK
				P/N	

TOLERANCES UNLESS OTHERWISE SPECIFIED:

10 > *	±0.2
30 > * > 10	±0.25
100 > * > 30	±0.3
ANGEL	±3°

THIS DRAWING IS A CONTROLLED DOCUMENT.

DWN	J.JIANG	23JAN03
CHK	S.YAO	23JAN03
APVD	T.SASAKI	23JAN03
PRODUCT SPEC	108-60016	
APPLICATION SPEC	108-60016	
WEIGHT	A3 00779 C-292172	
CUSTOMER DRAWING	SCALE	NTS
	SHEET	1 OF 1
	REV	A1

STE TE Connectivity
 TUBE PACKING AMP CT CONN
 POST HDR ASS'Y (STD-V SMT) W/O BOSS

X-ON Electronics

Largest Supplier of Electrical and Electronic Components

Click to view similar products for [Headers & Wire Housings](#) category:

Click to view products by [TE Connectivity](#) manufacturer:

Other Similar products are found below :

[892-18-020-10-001101](#) [58102-G61-06LF](#) [582553-1](#) [0009485154](#) [009176003701906](#) [0050291907](#) [LY20-4P-DT1-P1E-BR](#) [02.125.8002.8](#)
[609-3404](#) [61062-3](#) [61082-181009](#) [622-3653LF](#) [63453-116](#) [636-1030](#) [636-1427](#) [636-3427](#) [636-4007](#) [641938-9](#) [641991-4](#) [644827-2](#) [65817-010LF](#) [65817-015LF](#) [65863-015LF](#) [66207-023LF](#) [67095-007LF](#) [67601157](#) [68645-018](#) [68648-049](#) [70.362.1628.0](#) [70-4210](#) [70-4226B](#) [70-4853B](#) [707-5020](#) [707-5028](#) [71.350.2428.0](#) [71918-208LF](#) [71961-016LF](#) [733-134](#) [733-162](#) [754199-000](#) [760-3052](#) [787-8014-00](#) [79531-3000](#)
[FCN-360C032-B](#) [FCN-367T-T012/H](#) [FCN-723D010/2](#) [80.063.4001.1](#) [800-90-001-10-001000](#) [800-90-010-10-002000](#) [801-43-002-10-013000](#)