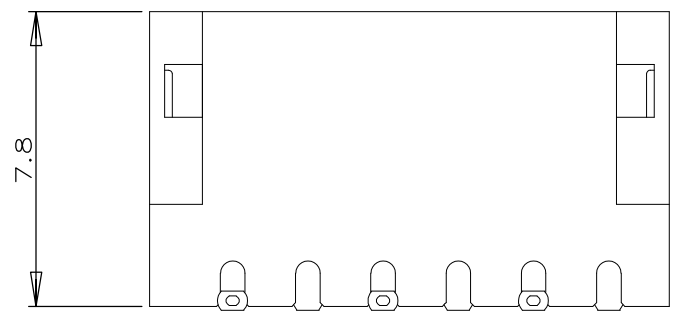
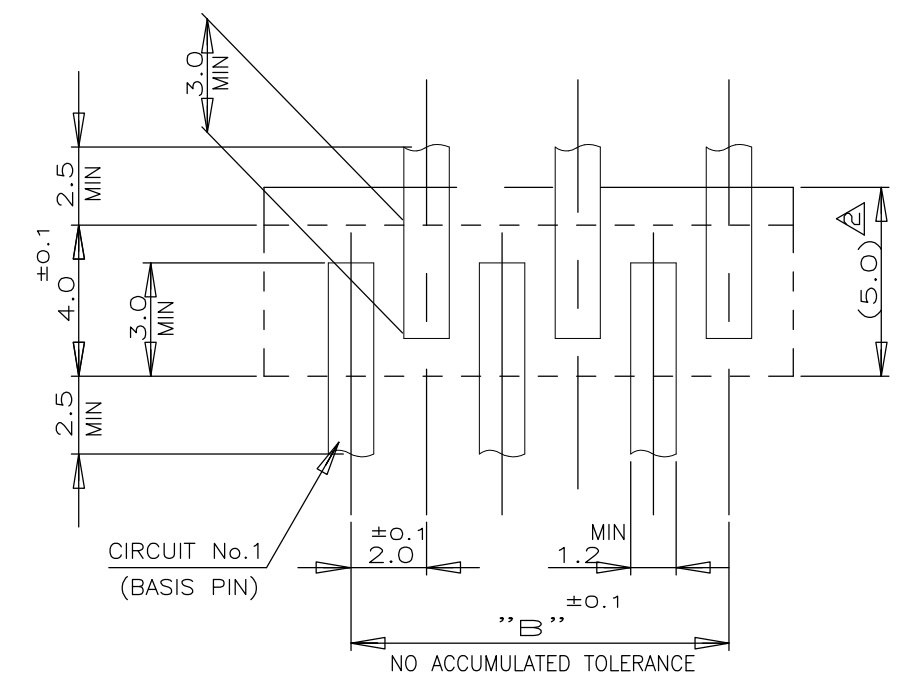
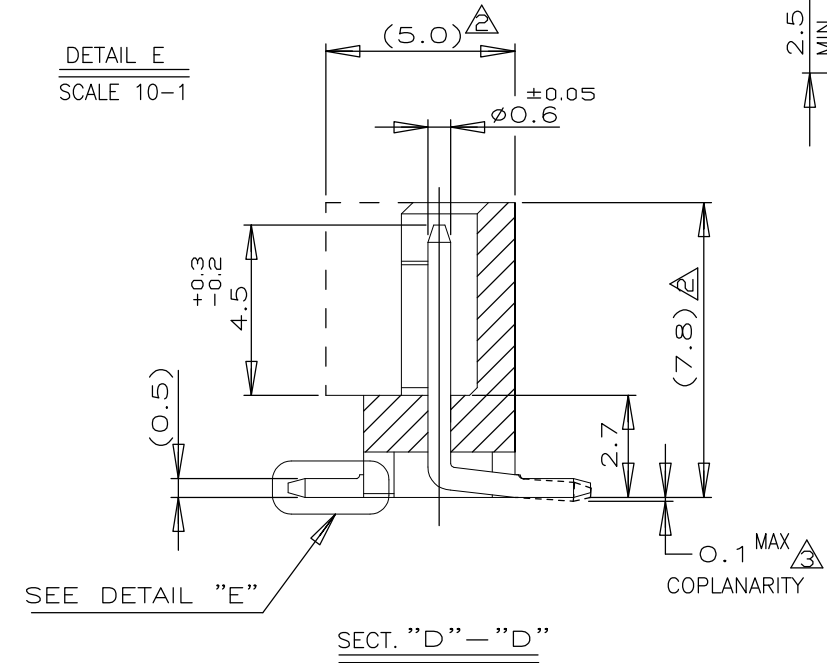
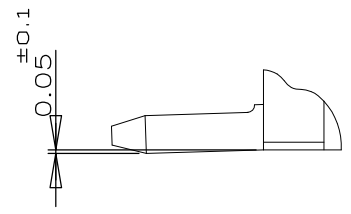
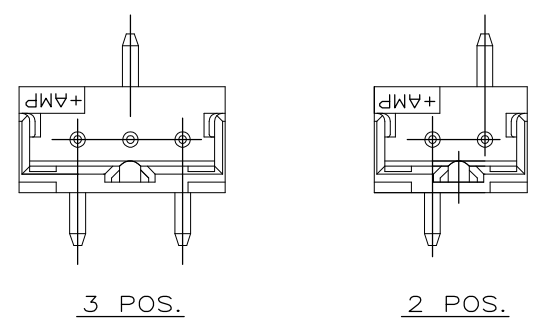
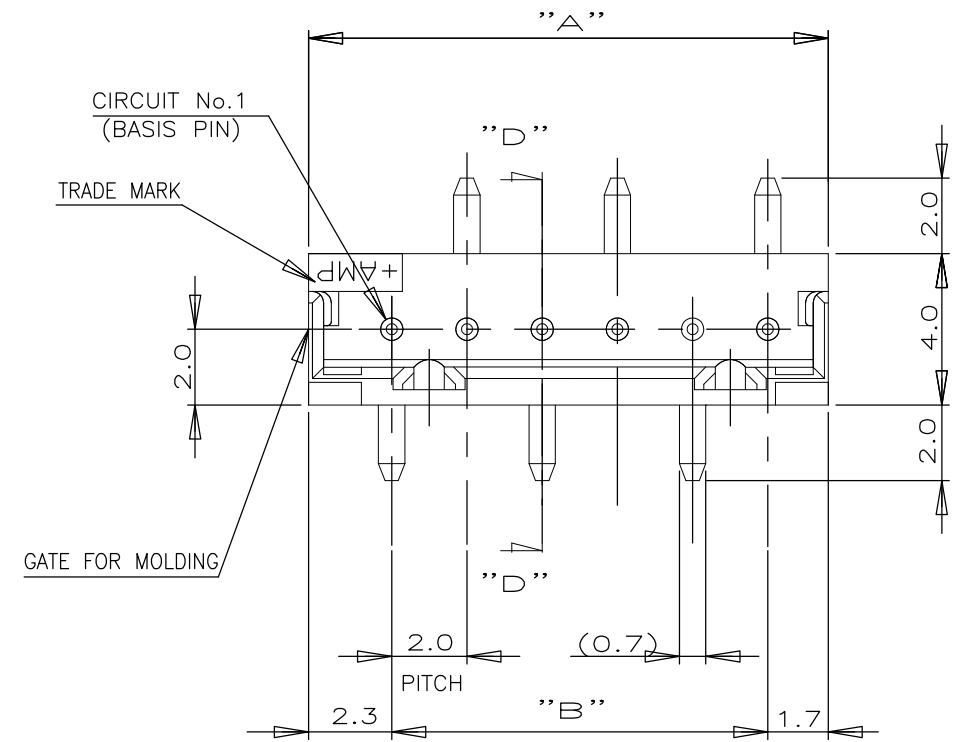


THIS DRAWING IS UNPUBLISHED. RELEASED FOR PUBLICATION
 © COPYRIGHT - By - ALL RIGHTS RESERVED.

| | | | | | | | |
|-----|------|-----------|-----|---------------------------|---------|-----|------|
| LOC | DIST | REVISIONS | | | | | |
| FB | 00 | P | LTR | DESCRIPTION | DATE | DWN | APVD |
| | | | A1 | REVISED PER ECO-11-005033 | 28MAR11 | RK | HMR |



- NOTES;
- MATERIAL : HOUSING - 6T PA G.F.30% (UL94V-0)
COLOR BLACK OR NATURAL
POST - TIN BRASS
 - △ OCCUPANT AREA ON PC BOARD
(AFTER CONNECTOR MATING)
 - △ TO BE MEASURED WITH CONNECTOR PLACED ON HORIZONTAL DATUM SURFACE, FLOAT OF SOLDER TINE FROM DATUM SURFACE IS 0.1mm MAX
 - PART NUMBER FOR TUBE: 8-720999-6
 - PRODUCT MUST COME OUT SMOOTHLY FROM TUBE AT INCLINING THE TUBE TO 45°

| | | | | | |
|------------|------|------|------|------------|----------|
| 20 | 20.0 | 16.0 | 9 | 6-292172-9 | 292172-9 |
| 25 | 18.0 | 14.0 | 8 | 6-8 | 8 |
| 30 | 16.0 | 12.0 | 7 | 6-7 | 7 |
| 30 | 14.0 | 10.0 | 6 | 6-6 | 6 |
| 40 | 12.0 | 8.0 | 5 | 6-5 | 5 |
| 45 | 10.0 | 6.0 | 4 | 6-4 | 4 |
| 60 | 8.0 | 4.0 | 3 | 6-3 | 3 |
| 80 | 6.0 | 2.0 | 2 | 6-292172-2 | 292172-2 |
| QTY'S/TUBE | "A" | "B" | Pos. | NATURAL | BLACK |
| | | | | P/N | |

TOLERANCES UNLESS OTHERWISE SPECIFIED:

| | |
|--------------|---------|
| 10 > * | : ±0.2 |
| 30 > * > 10 | : ±0.25 |
| 100 > * > 30 | : ±0.3 |
| ANGEL | : ±3° |

THIS DRAWING IS A CONTROLLED DOCUMENT.

| | | |
|------------------|-----------|---------|
| DWN | J.JIANG | 23JAN03 |
| CHK | S.YAO | 23JAN03 |
| APVD | T.SASAKI | 23JAN03 |
| PRODUCT SPEC | 108-60016 | |
| APPLICATION SPEC | - | |
| WEIGHT | - | |

STE TE Connectivity

TUBE PACKING AMP CT CONN
POST HDR ASS'Y (STD-V SMT) W/O BOSS

| | | | |
|------|-----------|------------|---------------|
| SIZE | CAGE CODE | DRAWING NO | RESTRICTED TO |
| A3 | 00779 | C-292172 | - |

CUSTOMER DRAWING SCALE NTS SHEET 1 OF 1 REV A1

X-ON Electronics

Largest Supplier of Electrical and Electronic Components

Click to view similar products for [Headers & Wire Housings](#) category:

Click to view products by [TE Connectivity](#) manufacturer:

Other Similar products are found below :

[892-18-020-10-001101](#) [58102-G61-06LF](#) [582553-1](#) [0009485154](#) [009176003701906](#) [0050291907](#) [LY20-4P-DT1-P1E-BR](#) [02.125.8002.8](#)
[609-3404](#) [61062-3](#) [61082-181009](#) [622-3653LF](#) [63453-116](#) [636-1030](#) [636-1427](#) [636-3427](#) [636-4007](#) [641938-9](#) [641991-4](#) [644827-2](#) [65817-](#)
[010LF](#) [65817-015LF](#) [65863-015LF](#) [66207-023LF](#) [67095-007LF](#) [67601157](#) [68645-018](#) [68648-049](#) [70.362.1628.0](#) [70-4210](#) [70-4226B](#) [70-](#)
[4853B](#) [707-5020](#) [707-5028](#) [71.350.2428.0](#) [71918-208LF](#) [71961-016LF](#) [733-134](#) [733-162](#) [754199-000](#) [760-3052](#) [787-8014-00](#) [79531-3000](#)
[FCN-360C032-B](#) [FCN-367T-T012/H](#) [FCN-723D010/2](#) [80.063.4001.1](#) [800-90-001-10-001000](#) [800-90-010-10-002000](#) [801-43-002-10-013000](#)