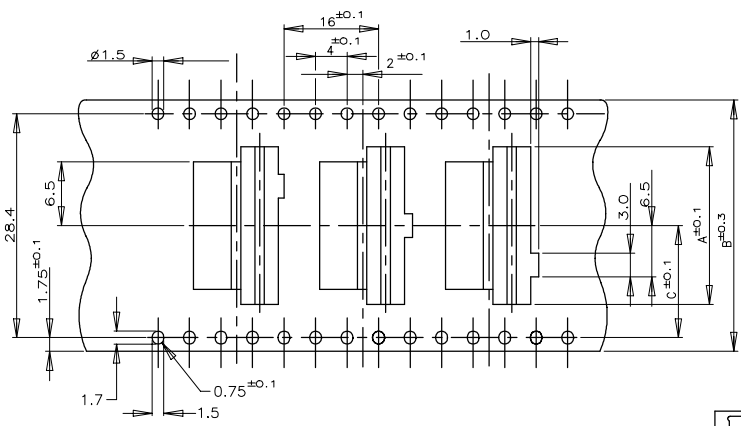
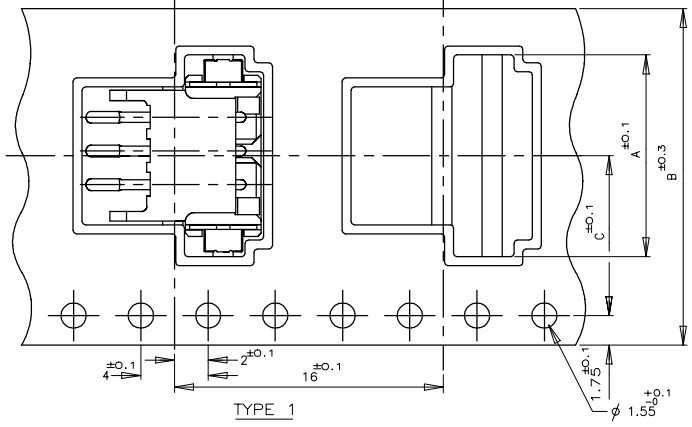


THIS DRAWING IS UNPUBLISHED. RELEASED FOR PUBLICATION
 © COPYRIGHT - By - ALL RIGHTS RESERVED.

LOC	DIST	REVISIONS					
ES	00	P	LTR	DESCRIPTION	DATE	DWN	APVD
		C4	ECR-21-101067		09APR2021	T.Q	N.S

(AS SHOWN : 3P)



TYPE 3 FOR 7P ONLY
 THREE KINDS OF DIFFERENT POCKETS AS 1 SET
 USED FOR 7P ONLY

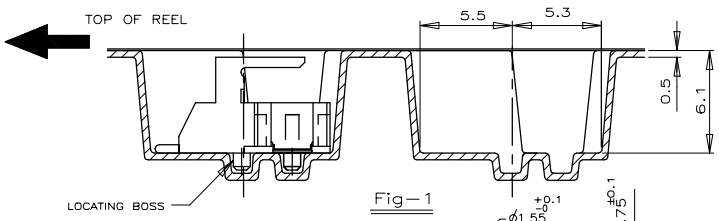
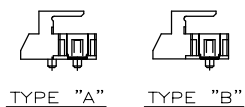
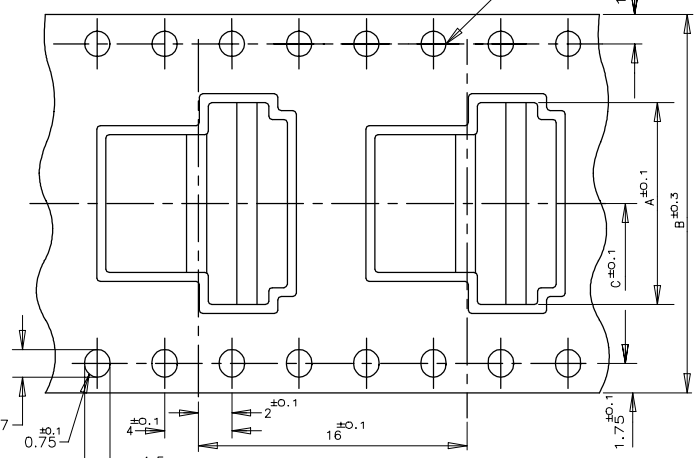


Fig-1



TYPE 2

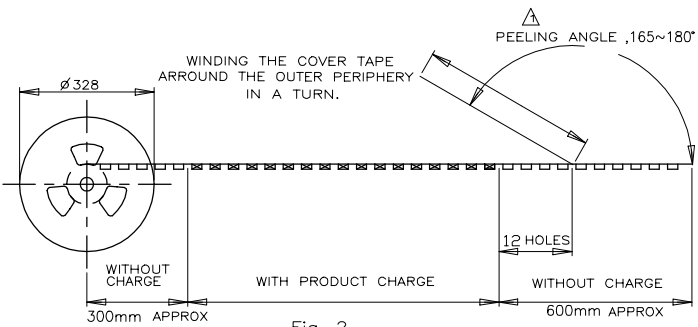


Fig-2

NATURAL	WITH	TYPE 2	B	20.2	44	24	500	9	1-292173-9	
			B	20.2	44	22		8	1- -8	
		TYPE 3	B	14.2	32	20		7	1- -7	
		TYPE 2	B	14.2	32	18		6	1- -6	
BLACK			B	11.5	24	16		5	1- -5	
		TYPE 1	B			14		4	1- -4	
			A			12		3	1- -3	
			A	11.5	24	10		2	1- -2	
			B	20.2	44	24		9	0- -9	
			B	20.2	44	22		8	0- -8	
			TYPE 3	B	14.2	32	20		7	0- -7
			TYPE 2	B	14.2	32	18		6	0- -6
WITH			B	11.5	24	16		5	0- -5	
		TYPE 1	B			14		4	0- -4	
			A			12		3	0- -3	
COLOR	PLATE	TAPE TYPE	TYPE OF BOSS	C	B	A	QTY/ REEL	500	2 0-292173-2	
									TAPPING P/N	

TOLERANCE UNLESS OTHERWISE SPECIFIED:

10*	±0.2
30>>10	±0.25
100>>30	±0.3
ANGLE	±3'

NOTES:
 ▲ PEELING RESISTANCE : 0.196N-0.686N (20gf-70gf)
 SPEED : 300mm/min

THIS DRAWING IS A CONTROLLED DOCUMENT.

DIMENSIONS: MM	TOLERANCES UNLESS OTHERWISE SPECIFIED:	DWN JACK HOU 21SEP10
	0 PLC ±	CHK MARTIN LI 21SEP10
	1 PLC ±	APVD STEVEN YAO 21SEP10
	2 PLC ±	PRODUCT SPEC
	3 PLC ±	APPLICATION SPEC
	4 PLC ±	WEIGHT
MATERIAL	FINISH	CUSTOMER DRAWING

STE TE Connectivity

ON TAPING (EMBOSS)
 TE CT CONNECTOR POST HEADER ASS'Y
 (BOX-H SMT TYPE W/BOSS & TAIL)

SIZE	CAGE CODE	DRAWING NO	RESTRICTED TO
A3	00779	C-292173	-
SCALE		SHEET	REV
++		1 of 6	C4

4

3

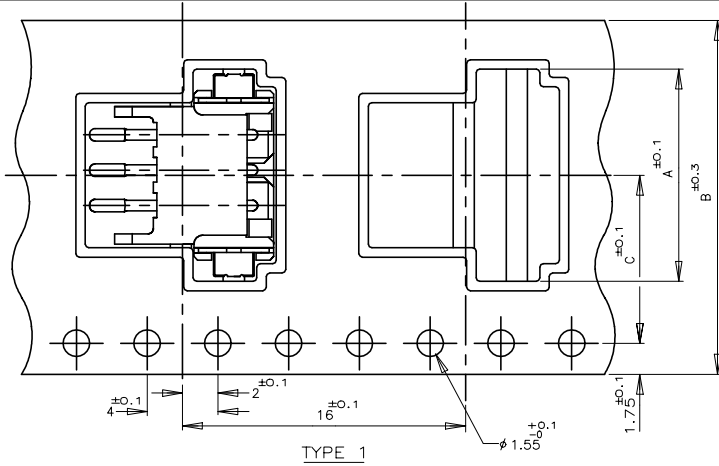
2

1

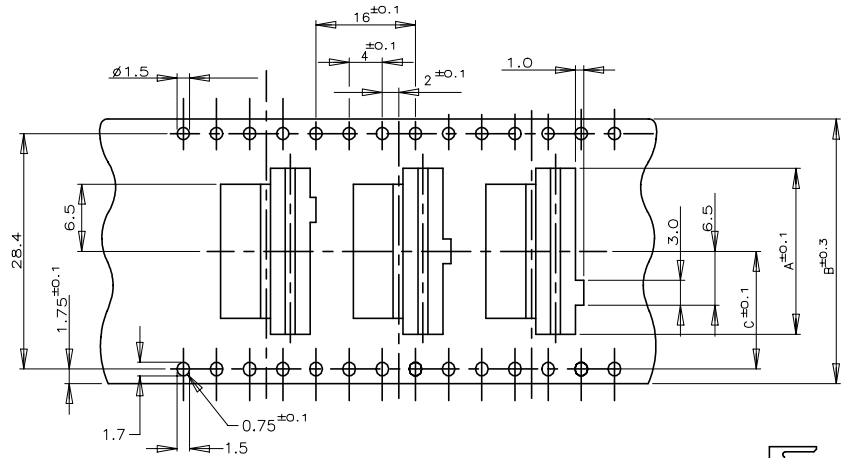
THIS DRAWING IS UNPUBLISHED. RELEASED FOR PUBLICATION
 © COPYRIGHT - By - ALL RIGHTS RESERVED.

LOC	DIST	REVISIONS					
ES	00	P	LTR	DESCRIPTION	DATE	DWN	A
		-		SEE SHEET 1	-	-	

(AS SHOWN : 3P)



TYPE 1



TYPE 3 FOR 7P ONLY

THREE KINDS OF DIFFERENT POCKETS AS 1 SET
 USED FOR 7P ONLY

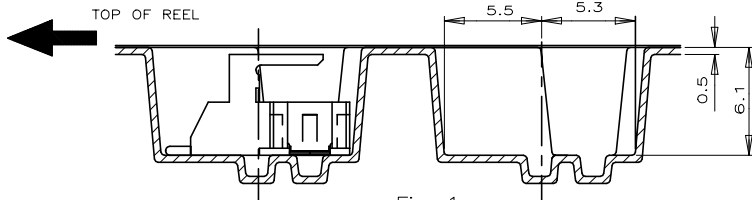
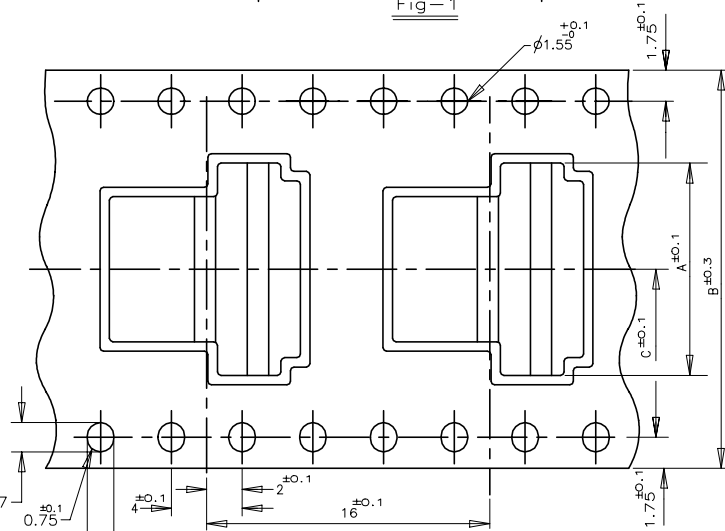


Fig-1



TYPE 2

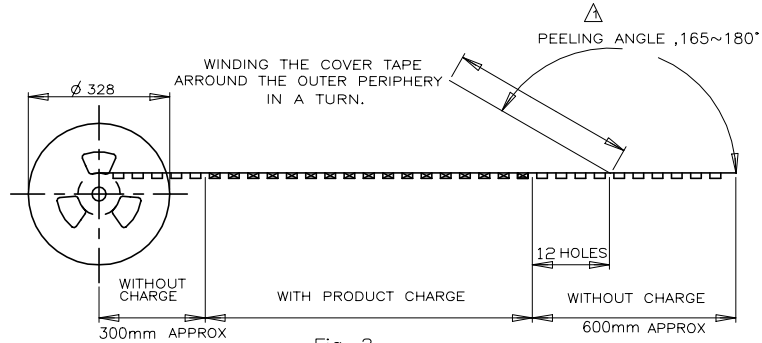


Fig-2

COLOR	PLATE	WITH	TAPE TYPE	TYPE OF BOSS	C			B			A			QTY/ REEL	Pos	TAPING					
					20.2	44	24	20.2	44	22	14.2	32	20				14.2	32	18		
NATURAL		▲	TYPE 2	A	20.2	44	24	500	9	3-29217											
					20.2	44	22	8	3-												
					14.2	32	20	7	3-												
					14.2	32	18	6	3-												
					11.5	24	16	5	3-												
					11.5	24	14	4	3-												
BLACK			TYPE 1	A	11.5	24	10	2	3-												
					11.5	24	12	3	3-												
					20.2	44	24	9	2-												
					20.2	44	22	8	2-												
					14.2	32	20	7	2-												
					14.2	32	18	6	2-												
WITH			TYPE 2	A	11.5	24	10	500	2	2-29217											
					11.5	24	14	4	2-												
					11.5	24	12	3	2-												

TOLERANCE UNLESS OTHERWISE SPECIFIED:

10 >	±0.2
30 > * > 10	±0.25
100 > * > 30	±0.3
ANGLE	±3°

NOTES:
 ▲ PEELING RESISTANCE : 0.196N-0.686N (20gf-70gf)
 SPEED : 300mm/min

THIS DRAWING IS A CONTROLLED DOCUMENT.

DIMENSIONS: MM	TOLERANCES UNLESS OTHERWISE SPECIFIED:	DWN
	0 PLC ±	CHK
	1 PLC ±	APVD
	2 PLC ±	PRODUCT SPEC
	3 PLC ±	APPLICATION SPEC
MATERIAL	4 PLC ANGLES ±	WEIGHT
	FINISH	CUSTOMER DRAWING

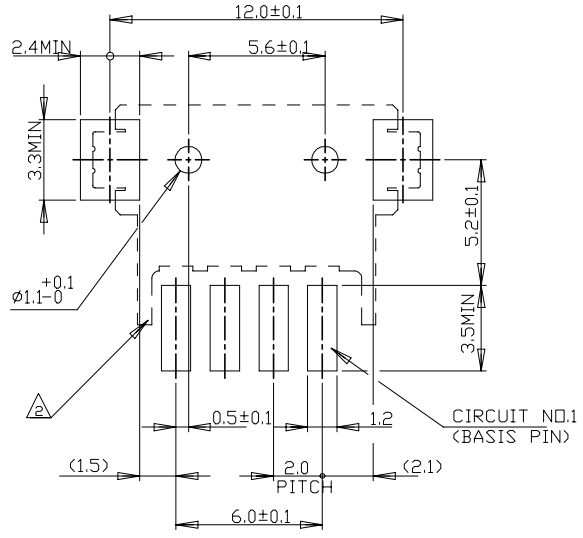
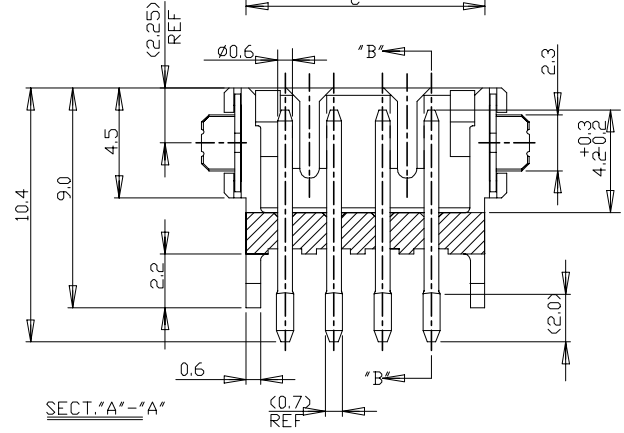
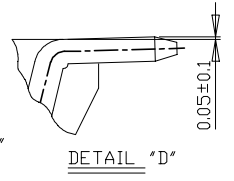
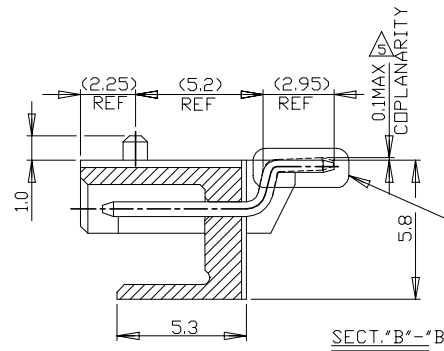
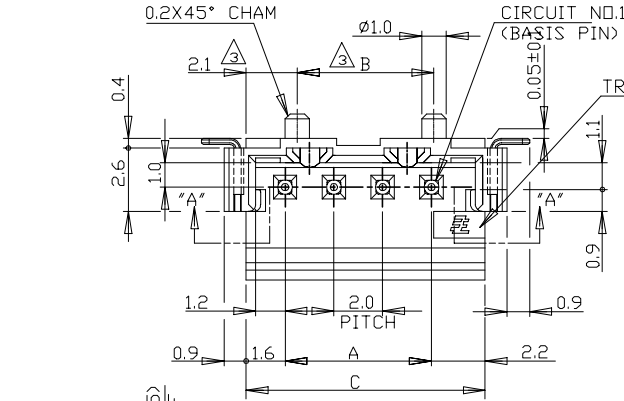
STE TE Connectivity

ON TAPING (EMBOSS)
 TE CT CONNECTOR POST HEADER ASS'Y
 (BOX-H SMT TYPE W/O BOSS & W/ TAIL)

NAME	SIZE	CAGE CODE	DRAWING NO	RESTRICTED
	A3	00779	C-292173	
SCALE	SHEET	REV		
+/+	2 of 6			

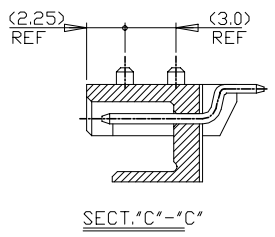
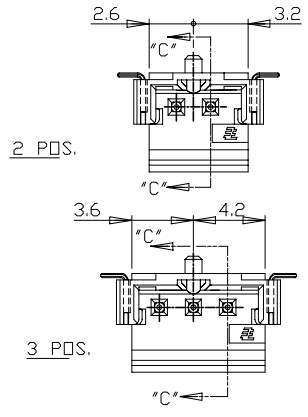
THIS DRAWING IS UNPUBLISHED. RELEASED FOR PUBLICATION
 © COPYRIGHT - By - ALL RIGHTS RESERVED.

LOC	DIST	REVISIONS					
ES	00	P	LTR	DESCRIPTION	DATE	DWN	APVD
		-		SEE SHEET 1	-	-	-



NOTES:
 1. MATERIAL: HSG-NYLON (UL94V-0)
 COLOR: BLACK, NATURAL
 POST: TIN BRASS
 TAIL: TIN BRASS
 OCCUPANT AREA ON PC BOARD
 4P&3P ABOVE POS.
 2P&3P
 TO BE MEASURED WITH CONNECTOR PLACED ON HORIZONTAL DATUM SURFACE, FLDAT OF SOLDER TINE AND TAIL FROM DATUM SURFACE IS 0.1mm MAX

16.0	15.6	19.8	22.0	9	1-292173-9	292173-9
14.0	13.6	17.8	20.0	8	1- -8	-8
12.0	11.6	15.8	18.0	7	1- -7	-7
10.0	9.6	13.8	16.0	6	1- -6	-6
8.0	7.6	11.8	14.0	5	1- -5	-5
6.0	5.6	9.8	---	4	1- -4	-4
4.0	---	7.8	---	3	1- -3	-3
2.0	---	5.8	---	2	1-292173-2	292173-2
A	B	C	D	Pos.	NATURAL	BLACK
P/N						



NO ACCUMULATED TOLERANCE RECOMMENDED P.C. BOARD LAYOUT (P.C.B. THK: 0.8mm MIN)

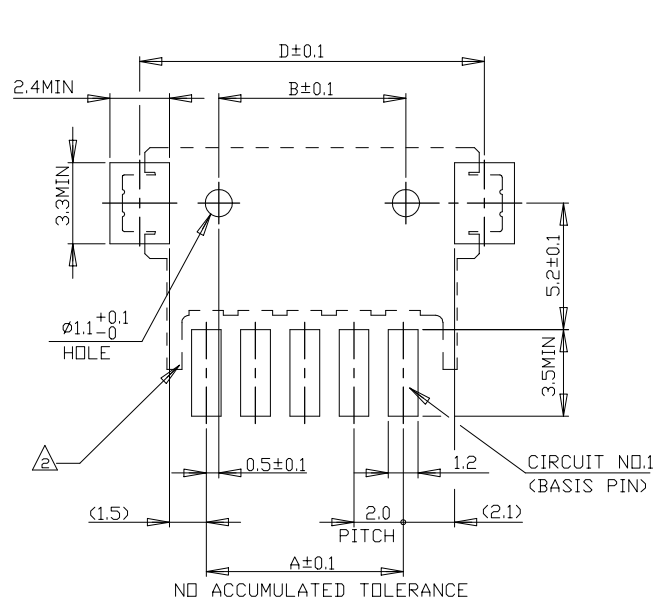
TOLERANCES UNLESS OTHERWISE SPECIFIED:
 10>* : ±0.2
 30>* >10 : ±0.25
 100>* >30 : ±0.3
 ANGEL : ±3°

THIS DRAWING IS A CONTROLLED DOCUMENT.		DWN	TE Connectivity		
DIMENSIONS: MM		CHK	NAME		
TOLERANCES UNLESS OTHERWISE SPECIFIED:		APVD	SMT TYPE POST HDR ASS'Y (H) WITH BOSS & TAIL TYPE (TE CT CONN. 2mm PITCH)		
0 PLC ± 1 PLC ± 2 PLC ± 3 PLC ± 4 PLC ± ANGLES ±		PRODUCT SPEC	108-60016		
MATERIAL		APPLICATION SPEC	SIZE	CAGE CODE	DRAWING NO
SEE NOTE		WEIGHT	A3	00779	©=292173
FINISH		CUSTOMER DRAWING	SCALE	SHEET	REV
SEE NOTE			5:1	3 OF 6	C4

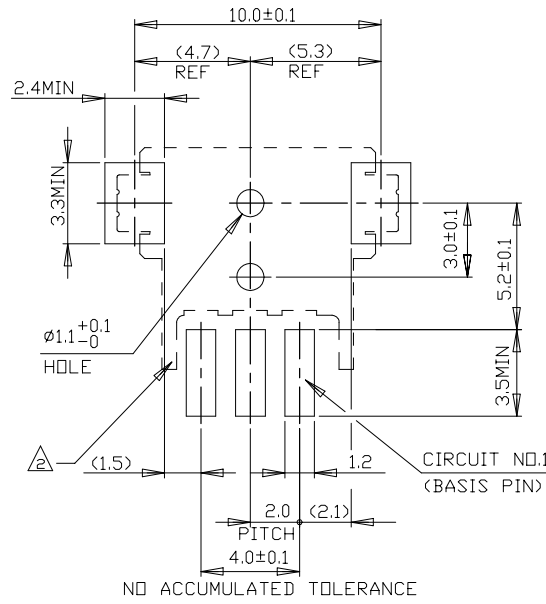
THIS DRAWING IS UNPUBLISHED. RELEASED FOR PUBLICATION
 © COPYRIGHT - By - ALL RIGHTS RESERVED.

LOC	DIST	REVISIONS					
ES	00	P	LTR	DESCRIPTION	DATE	DWN	APVD
		-	-	SEE SHEET 1	-	-	-

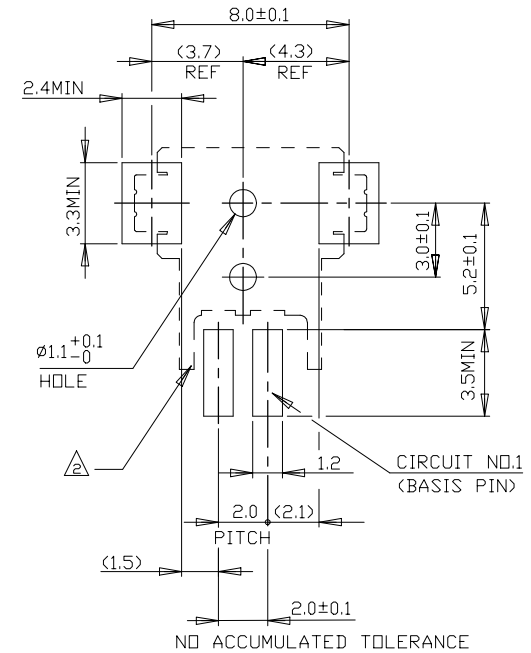
LAYOUT FOR 292173-X,1-292173-X



5 PDS. & ABOVE PDS.



3 PDS.



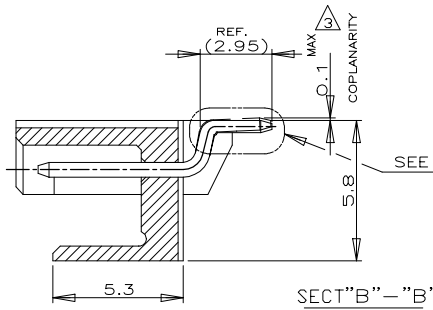
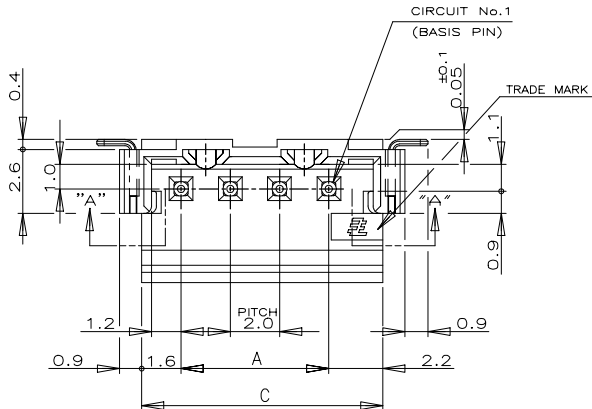
2 PDS.

RECOMMENDED P.C. BOARD LAYOUT
 (P.C.B THK:0.8mm MIN)

THIS DRAWING IS A CONTROLLED DOCUMENT.		DWN			
DIMENSIONS: MM		CHK			
TOLERANCES UNLESS OTHERWISE SPECIFIED:		APVD	NAME		
0 PLC ±		PRODUCT SPEC	SMT TYPE POST HDR ASS'Y (H)		
1 PLC ±		APPLICATION SPEC	WITH BOSS & TAIL TYPE		
2 PLC ±		WEIGHT	SIZE	CAGE CODE	DRAWING NO
3 PLC ±			A3	00779	C-292173
4 PLC ±		CUSTOMER DRAWING	RESTRICTED TO		
ANGLES ±		SCALE	SHEET		REV
FINISH		5:1	4 OF 6		C4

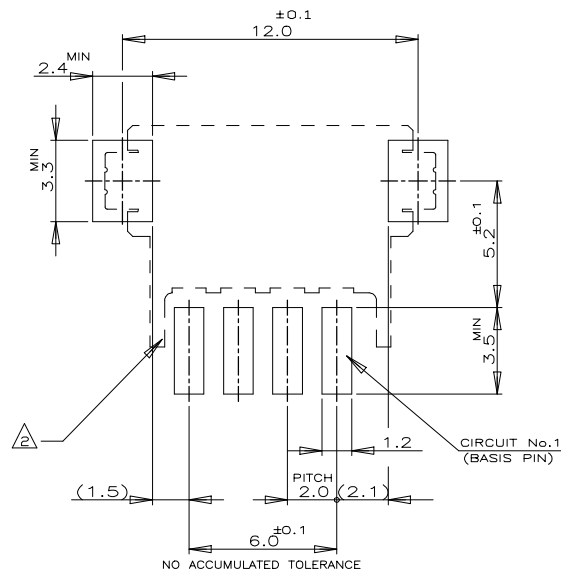
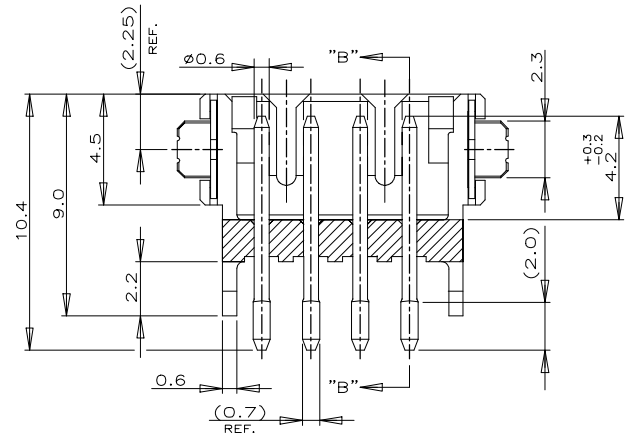
THIS DRAWING IS UNPUBLISHED. RELEASED FOR PUBLICATION
 © COPYRIGHT - By - ALL RIGHTS RESERVED.

LOC	DIST	REVISIONS					
ES	00	P	LTR	DESCRIPTION	DATE	DWN	APVD
		-	-	SEE SHEET 1	-	-	-

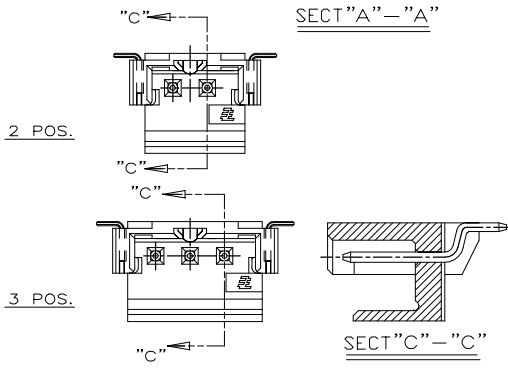


(AS SHOWN :4P)

- NOTES:
- MATERIAL : HSG-NYLON UL94V-0
 COLOR:BLACK,NATURAL
 POST:TIN BRASS
 TAIL: TIN BRASS
 - OCCUPANT AREA ON PC BOARD TO BE MEASURED WITH CONNECTOR PLACED ON HORIZONTAL DATUM SURFACE, FLOAT OF SOLDER TINE AND TAIL FROM DATUM SURFACE IS 0.1mm MAX



16.0	19.8	22.0	9	3-292173-9	2-292173-9
14.0	17.8	20.0	8	3- -8	2- -8
12.0	15.8	18.0	7	3- -7	2- -7
10.0	13.8	16.0	6	3- -6	2- -6
8.0	11.8	14.0	5	3- -5	2- -5
6.0	9.8	--	4	3- -4	2- -4
4.0	7.8	--	3	3- -3	2- -3
2.0	5.8	--	2	3-292173-2	2-292173-2
A	C	D	Pos.	NATURAL	BLACK
P/N					



TOLERANCES UNLESS OTHERWISE SPECIFIED:
 10>* : ±0.2
 30>*10 : ±0.25
 100>*30 : ±0.3
 ANGEL : ±3°

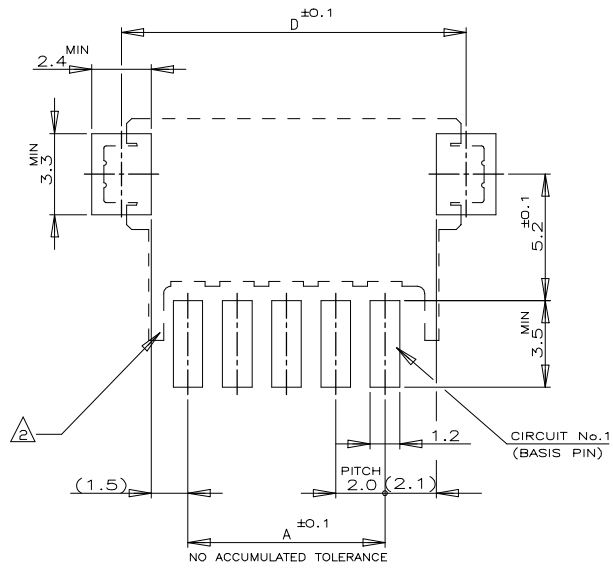
THIS DRAWING IS A CONTROLLED DOCUMENT.

DIMENSIONS: MM	TOLERANCES UNLESS OTHERWISE SPECIFIED:	DWN	TE Connectivity
0 PLC ±	1 PLC ±	CHK	SMT TYPE POST HDR ASS'Y (BOX-H)
2 PLC ±	2 PLC ±	APVD	W/O BOSS, WITH TAIL TYPE
3 PLC ±	3 PLC ±	PRODUCT SPEC	(TE CT CONN. 2mm PITCH)
4 PLC ±	4 PLC ±	APPLICATION SPEC	108-60016
ANGLES ±	FINISH ±	WEIGHT	SIZE A3 CAGE CODE 00779 DRAWING NO C-292173 RESTRICTED TO
MATERIAL SEE NOTE	FINISH SEE NOTE	CUSTOMER DRAWING	SCALE 5:1 SHEET 5 of 6 REV C4

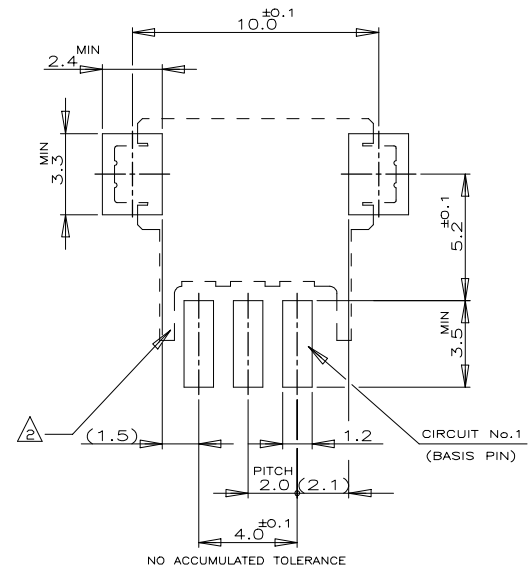
THIS DRAWING IS UNPUBLISHED. RELEASED FOR PUBLICATION
 © COPYRIGHT - By - ALL RIGHTS RESERVED.

LOC	DIST	REVISIONS					
ES	00	P	LTR	DESCRIPTION	DATE	DWN	APVD
		-		SEE SHEET 1	-	-	-

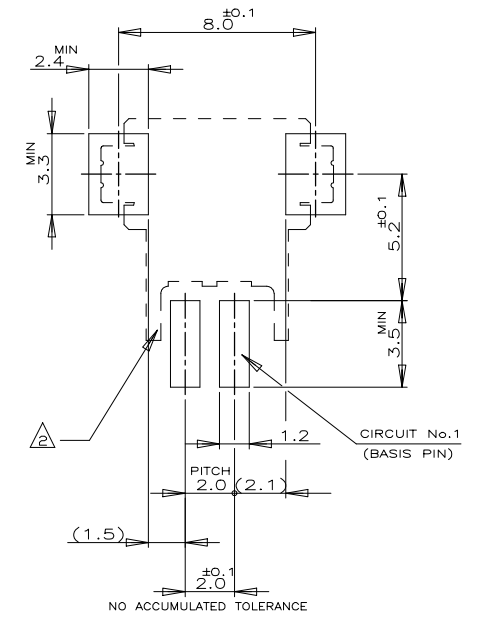
LAYOUT FOR 2-292173-X,3-2-292173-X



5 POS & ABOVE POS



3 POS



2 POS

RECOMENOD P.C.BOARD LAYOUT
 (P.C.B THK:0.8mm MIN)

THIS DRAWING IS A CONTROLLED DOCUMENT.		DWN	-	 TE Connectivity	NAME SMT TYPE POST HDR ASS'Y (H) W/O,WITH TAIL TYPE (TE CT CONN. 2mm PITCH)		
DIMENSIONS:	TOLERANCES UNLESS OTHERWISE SPECIFIED:	CHK	-				
MM	0 PLC ± -	APVD	-				
	1 PLC ± -	PRODUCT SPEC	-				
MATERIAL	FINISH	APPLICATION SPEC	-	SIZE	CAGE CODE	DRAWING NO	RESTRICTED TO
-	-	WEIGHT	-	A3	00779	C-292173	-
CUSTOMER DRAWING		SCALE	5:1	SHEET	6 OF 6	REV	C4

X-ON Electronics

Largest Supplier of Electrical and Electronic Components

Click to view similar products for [Headers & Wire Housings](#) category:

Click to view products by [TE Connectivity](#) manufacturer:

Other Similar products are found below :

[892-18-020-10-001101](#) [58102-G61-06LF](#) [582553-1](#) [0009485154](#) [009176003701906](#) [0050291907](#) [LY20-4P-DT1-P1E-BR](#) [02.125.8002.8](#)
[609-3404](#) [61062-3](#) [61082-181009](#) [622-3653LF](#) [63453-116](#) [636-1030](#) [636-1427](#) [636-3427](#) [636-4007](#) [641938-9](#) [641991-4](#) [644827-2](#) [65817-010LF](#) [65817-015LF](#) [65863-015LF](#) [66207-023LF](#) [67095-007LF](#) [67601157](#) [68645-018](#) [68648-049](#) [70.362.1628.0](#) [70-4210](#) [70-4226B](#) [70-4853B](#) [707-5020](#) [707-5028](#) [71.350.2428.0](#) [71918-208LF](#) [71961-016LF](#) [733-134](#) [733-162](#) [754199-000](#) [760-3052](#) [787-8014-00](#) [79531-3000](#)
[FCN-360C032-B](#) [FCN-367T-T012/H](#) [FCN-723D010/2](#) [80.063.4001.1](#) [800-90-001-10-001000](#) [800-90-010-10-002000](#) [801-43-002-10-013000](#)