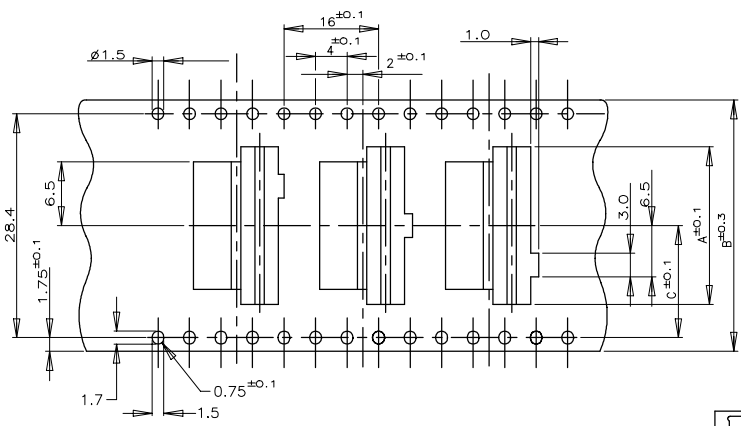
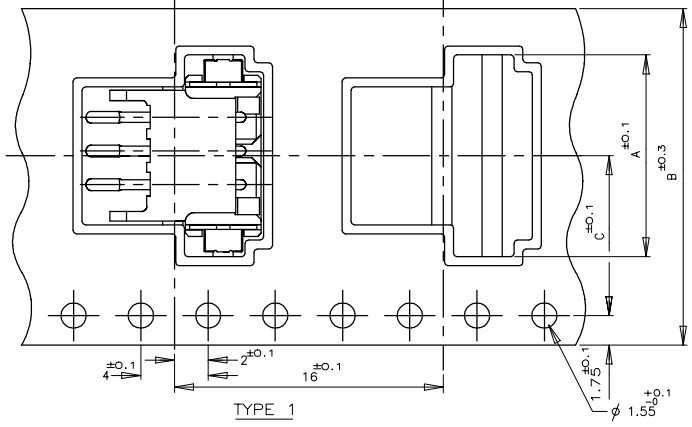


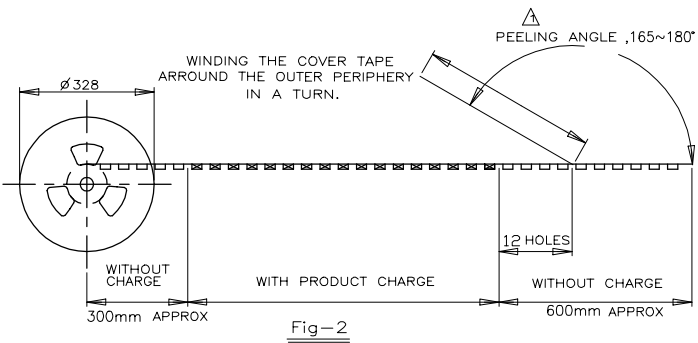
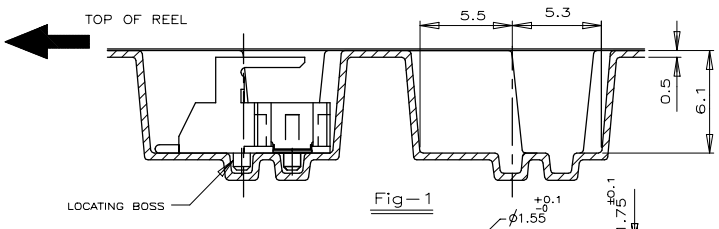
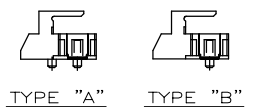
THIS DRAWING IS UNPUBLISHED. RELEASED FOR PUBLICATION
 © COPYRIGHT - By - ALL RIGHTS RESERVED.

| LOC | DIST | REVISIONS | | | | | |
|-----|------|-----------|---------------|-------------|-----------|-----|------|
| ES | 00 | P | LTR | DESCRIPTION | DATE | DWN | APVD |
| | | C4 | ECR-21-101067 | | 09APR2021 | T.Q | N.S |

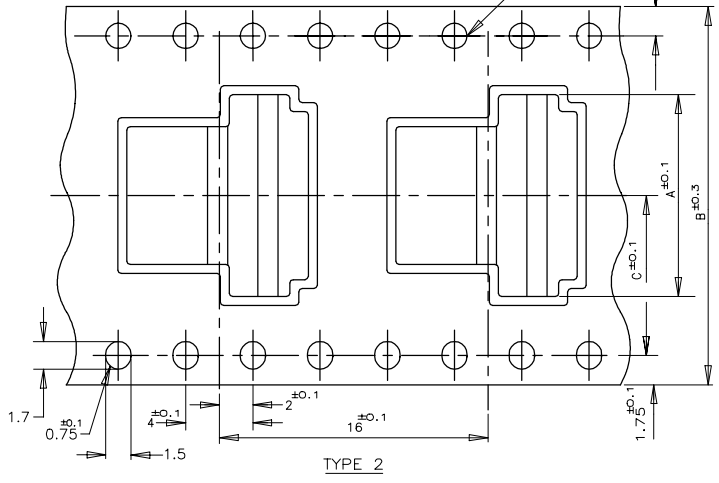
(AS SHOWN : 3P)



TYPE 3 FOR 7P ONLY
 THREE KINDS OF DIFFERENT POCKETS AS 1 SET
 USED FOR 7P ONLY



| COLOR | PLATE | TAPE TYPE | TYPE OF BOSS | C | B | A | QTY/REEL | Pos | TAPING | P/N |
|---------|--------|-----------|--------------|------|----|----|------------|-----|--------|------------|
| NATURAL | WITH | TYPE 2 | B | 20.2 | 44 | 24 | 500 | 9 | 1- | 1-292173-9 |
| | | | | 20.2 | 44 | 22 | 8 | 1- | -8 | |
| | TYPE 3 | B | 14.2 | 32 | 20 | 7 | 1- | -7 | | |
| | | B | 14.2 | 32 | 18 | 6 | 1- | -6 | | |
| | TYPE 1 | B | 11.5 | 24 | 16 | 5 | 1- | -5 | | |
| | | B | 11.5 | 24 | 14 | 4 | 1- | -4 | | |
| A | | 11.5 | 24 | 12 | 3 | 1- | -3 | | | |
| A | | 11.5 | 24 | 10 | 2 | 1- | -2 | | | |
| BLACK | WITH | TYPE 2 | B | 20.2 | 44 | 24 | 9 | 0- | -9 | |
| | | | B | 20.2 | 44 | 22 | 8 | 0- | -8 | |
| | TYPE 3 | B | 14.2 | 32 | 20 | 7 | 0- | -7 | | |
| | | B | 14.2 | 32 | 18 | 6 | 0- | -6 | | |
| | TYPE 1 | B | 11.5 | 24 | 16 | 5 | 0- | -5 | | |
| | | B | 11.5 | 24 | 14 | 4 | 0- | -4 | | |
| WITH | A | 11.5 | 24 | 10 | 2 | 0- | 0-292173-2 | | | |



TOLERANCE UNLESS OTHERWISE SPECIFIED:

| | |
|---------|-------|
| 10* | ±0.2 |
| 30>>10 | ±0.25 |
| 100>>30 | ±0.3 |
| ANGLE | ±3' |

NOTES:
 ▲ PEELING RESISTANCE : 0.196N-0.686N (20gf-70gf)
 SPEED : 300mm/min

THIS DRAWING IS A CONTROLLED DOCUMENT.

| | | |
|----------------|--|-------------------------|
| DIMENSIONS: MM | TOLERANCES UNLESS OTHERWISE SPECIFIED: | DWN JACK HOU 21SEP10 |
| | 0 PLC ± | CHK MARTIN LI 21SEP10 |
| | 1 PLC ± | APVD STEVEN YAO 21SEP10 |
| | 2 PLC ± | PRODUCT SPEC |
| | 3 PLC ± | APPLICATION SPEC |
| MATERIAL | FINISH | WEIGHT |

| | | | |
|------------------|-----------|---|---------------------|
| TE Connectivity | | ON TAPING (EMBOSS) TE CT CONNECTOR POST HEADER ASS'Y (BOX-H SMT TYPE W/BOSS & TAIL) | |
| SIZE | CAGE CODE | DRAWING NO | RESTRICTED TO |
| A3 | 00779 | C-292173 | - |
| CUSTOMER DRAWING | | SCALE | SHEET 1 of 6 REV C4 |

4

3

2

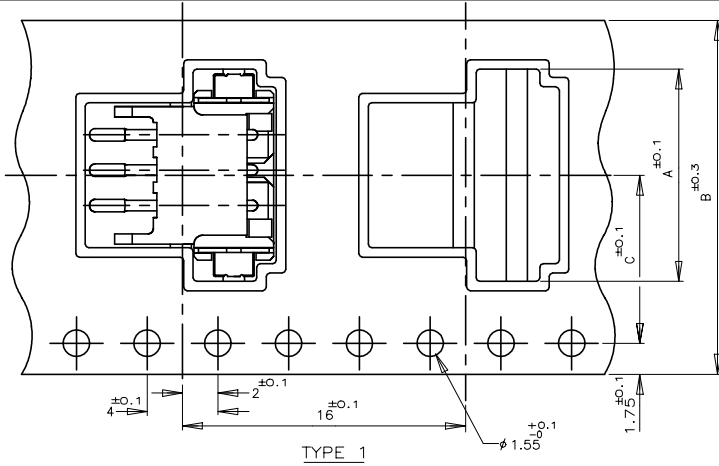
1

THIS DRAWING IS UNPUBLISHED. RELEASED FOR PUBLICATION
 © COPYRIGHT - By - ALL RIGHTS RESERVED.

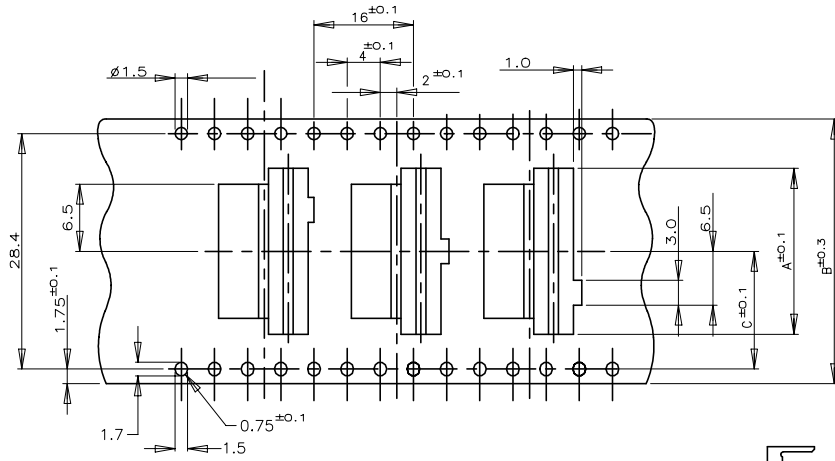
LOC ES DIST 00

| P | | LTR | | DESCRIPTION | DATE | DWN | A |
|---|--|-----|--|-------------|------|-----|---|
| | | - | | SEE SHEET 1 | - | - | - |

(AS SHOWN : 3P)



TYPE 1



TYPE 3 FOR 7P ONLY

THREE KINDS OF DIFFERENT POCKETS AS 1 SET
 USED FOR 7P ONLY

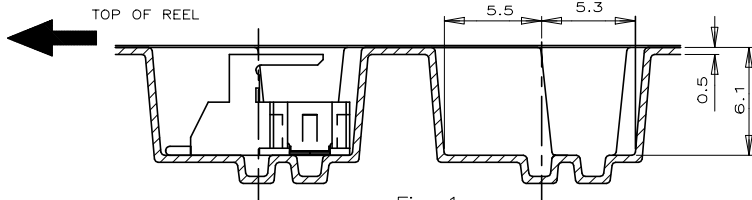
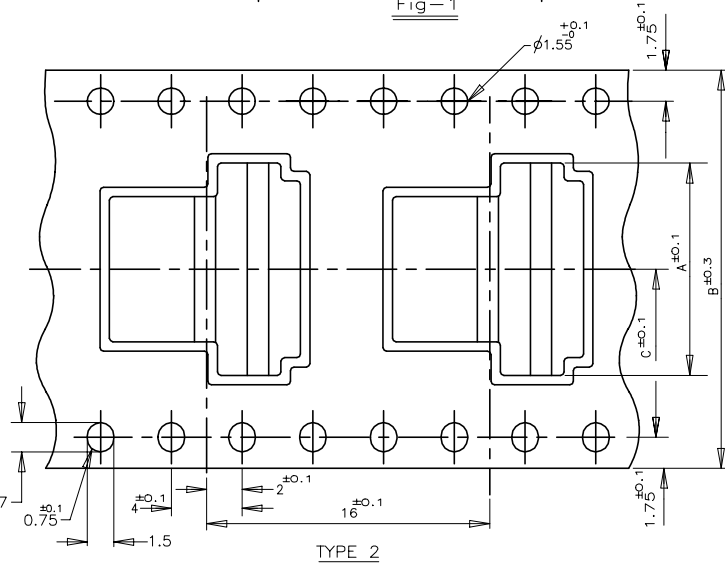


Fig-1



TYPE 2

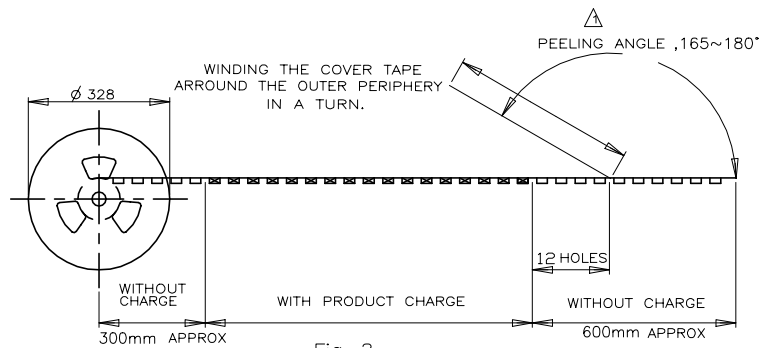


Fig-2

| COLOR | PLATE | WITH | TAPE TYPE | TYPE OF BOSS | C | | | B | | | A | | | QTY/ REEL | Pos | TAPING | | | |
|---------|-------|------|-----------|--------------|------|----|----|------|----|---------|------|----|----|-----------|-----|--------|------|----|----|
| | | | | | 20.2 | 44 | 24 | 20.2 | 44 | 22 | 14.2 | 32 | 20 | | | | 14.2 | 32 | 18 |
| NATURAL | | ▲ | TYPE 2 | A | 20.2 | 44 | 24 | 500 | 9 | 3-29217 | | | | | | | | | |
| | | | | | 20.2 | 44 | 22 | 8 | 3- | | | | | | | | | | |
| | | | | | 14.2 | 32 | 20 | 7 | 3- | | | | | | | | | | |
| | | | | | 14.2 | 32 | 18 | 6 | 3- | | | | | | | | | | |
| | | | | | 11.5 | 24 | 16 | 5 | 3- | | | | | | | | | | |
| | | | | | 11.5 | 24 | 14 | 4 | 3- | | | | | | | | | | |
| BLACK | | | TYPE 1 | A | 11.5 | 24 | 10 | 2 | 3- | | | | | | | | | | |
| | | | | | 11.5 | 24 | 12 | 3 | 3- | | | | | | | | | | |
| | | | | | 11.5 | 24 | 10 | 2 | 3- | | | | | | | | | | |
| | | | | | 20.2 | 44 | 24 | 9 | 2- | | | | | | | | | | |
| | | | | | 20.2 | 44 | 22 | 8 | 2- | | | | | | | | | | |
| | | | | | 14.2 | 32 | 20 | 7 | 2- | | | | | | | | | | |
| WITH | | | TYPE 2 | A | 20.2 | 44 | 24 | 500 | 2 | 2-29217 | | | | | | | | | |
| | | | | | 14.2 | 32 | 18 | 6 | 2- | | | | | | | | | | |
| | | | | | 11.5 | 24 | 16 | 5 | 2- | | | | | | | | | | |
| | | | | | 11.5 | 24 | 14 | 4 | 2- | | | | | | | | | | |
| | | | | | 11.5 | 24 | 12 | 3 | 2- | | | | | | | | | | |
| | | | | | 11.5 | 24 | 10 | 2 | 2- | | | | | | | | | | |

TOLERANCE UNLESS OTHERWISE SPECIFIED:

| | |
|--------------|-------|
| 10 > | ±0.2 |
| 30 > * > 10 | ±0.25 |
| 100 > * > 30 | ±0.3 |
| ANGLE | ±3° |

NOTES:
 ▲ PEELING RESISTANCE : 0.196N-0.686N (20gf-70gf)
 SPEED : 300mm/min

THIS DRAWING IS A CONTROLLED DOCUMENT.

| | | |
|----------------|--|------------------|
| DIMENSIONS: MM | TOLERANCES UNLESS OTHERWISE SPECIFIED: | DWN |
| | 0 PLC ± | CHK |
| | 1 PLC ± | APVD |
| | 2 PLC ± | PRODUCT SPEC |
| | 3 PLC ± | APPLICATION SPEC |
| MATERIAL | 4 PLC ANGLES ± | WEIGHT |
| | FINISH | CUSTOMER DRAWING |

TE Connectivity

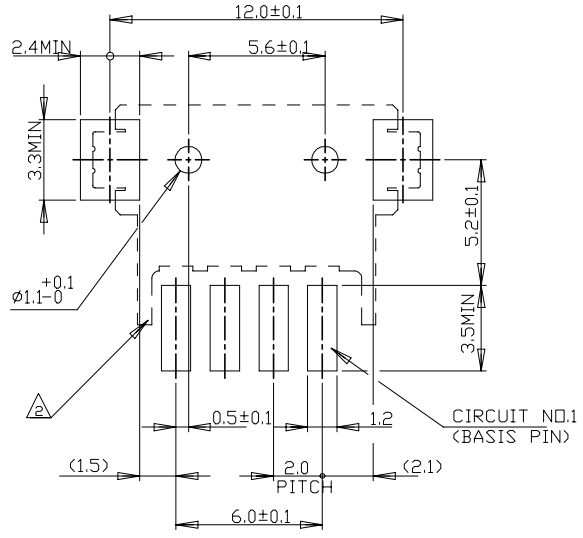
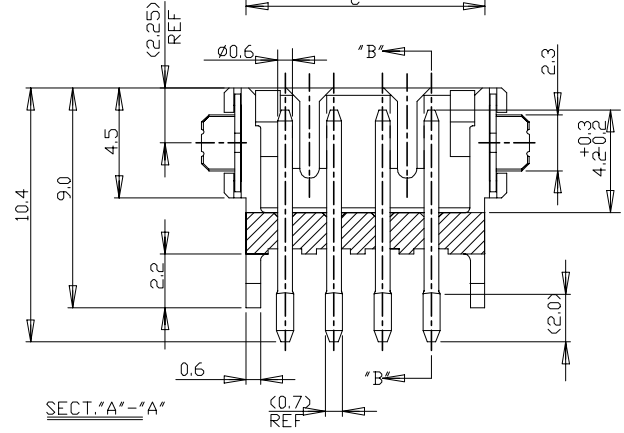
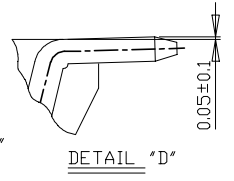
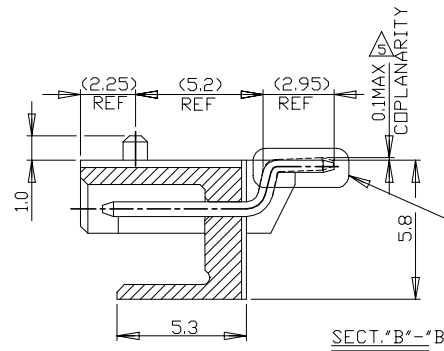
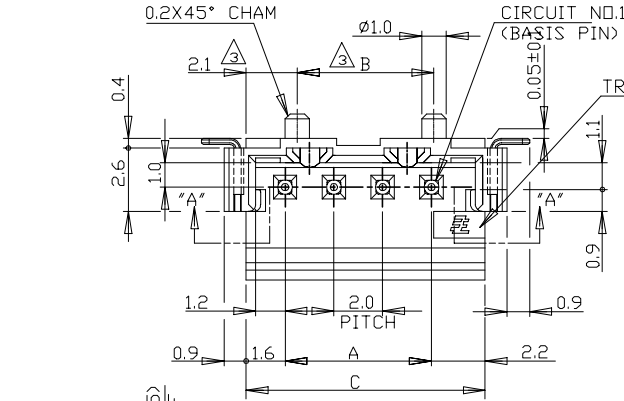
ON TAPING (EMBOSS)
 TE CT CONNECTOR POST HEADER ASS'Y
 (BOX-H SMT TYPE W/O BOSS & W/ TAIL)

| | | | |
|------|-----------|------------|------------|
| SIZE | CAGE CODE | DRAWING NO | RESTRICTED |
| A3 | 00779 | C-292173 | - |

SCALE: / / SHEET: 2 of 6 REV: C

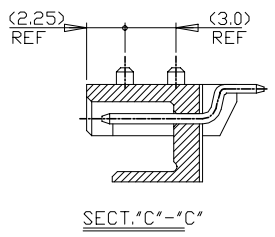
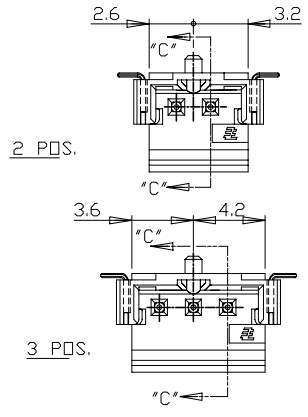
THIS DRAWING IS UNPUBLISHED. RELEASED FOR PUBLICATION
 © COPYRIGHT - By - ALL RIGHTS RESERVED.

| LOC | DIST | REVISIONS | | | | | |
|-----|------|-----------|-----|-------------|------|-----|------|
| ES | 00 | P | LTR | DESCRIPTION | DATE | DWN | APVD |
| | | - | | SEE SHEET 1 | - | - | - |



NOTES:
 1. MATERIAL: HSG-NYLON (UL94V-0)
 COLOR: BLACK, NATURAL
 POST: TIN BRASS
 TAIL: TIN BRASS
 OCCUPANT AREA ON PC BOARD
 4P& ABOVE POS.
 2P&3P
 TO BE MEASURED WITH CONNECTOR PLACED
 ON HORIZONTAL DATUM SURFACE, FLDAT OF
 SOLDER TINE AND TAIL FROM DATUM
 SURFACE IS 0.1mm MAX

| | | | | | | |
|------|------|------|------|------|------------|----------|
| 16.0 | 15.6 | 19.8 | 22.0 | 9 | 1-292173-9 | 292173-9 |
| 14.0 | 13.6 | 17.8 | 20.0 | 8 | 1- -8 | -8 |
| 12.0 | 11.6 | 15.8 | 18.0 | 7 | 1- -7 | -7 |
| 10.0 | 9.6 | 13.8 | 16.0 | 6 | 1- -6 | -6 |
| 8.0 | 7.6 | 11.8 | 14.0 | 5 | 1- -5 | -5 |
| 6.0 | 5.6 | 9.8 | --- | 4 | 1- -4 | -4 |
| 4.0 | --- | 7.8 | --- | 3 | 1- -3 | -3 |
| 2.0 | --- | 5.8 | --- | 2 | 1-292173-2 | 292173-2 |
| A | B | C | D | Pos. | NATURAL | BLACK |
| P/N | | | | | | |



THIS DRAWING IS A CONTROLLED DOCUMENT.

| | |
|-------------------|--|
| DIMENSIONS: MM | TOLERANCES UNLESS OTHERWISE SPECIFIED: |
| 0 PLC ± | 1 PLC ± |
| 2 PLC ± | 3 PLC ± |
| 4 PLC ± | ANGLES ± |
| MATERIAL | FINISH |
| SEE NOTE | SEE NOTE |

| | |
|--|-------|
| TOLERANCES UNLESS OTHERWISE SPECIFIED: | |
| 10 > * : | ±0.2 |
| 30 > * > 10 : | ±0.25 |
| 100 > * > 30 : | ±0.3 |
| ANGEL : | ±3° |

DWN -
 CHK -
 APVD -
 NAME -
 PRODUCT SPEC -
 108-60016
 APPLICATION SPEC -
 WEIGHT -
 CUSTOMER DRAWING

STE TE Connectivity

SMT TYPE POST HDR ASS'Y (H)
 WITH BOSS & TAIL TYPE
 (TE CT CONN. 2mm PITCH)

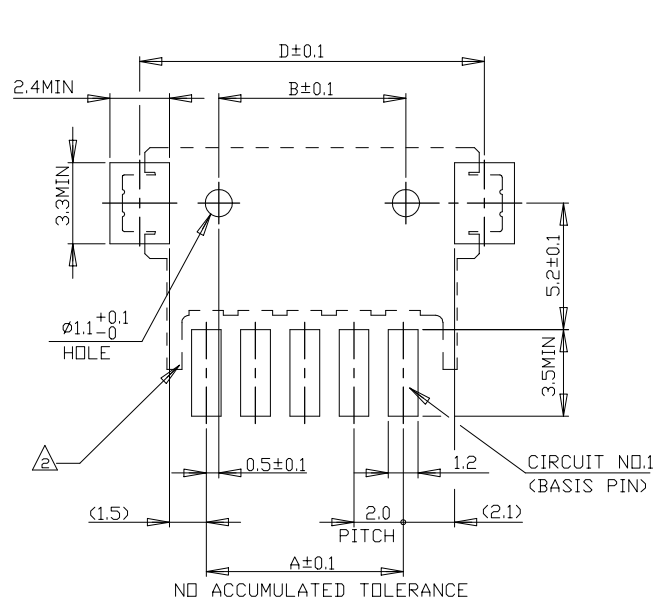
| | | | |
|------|-----------|------------|---------------|
| SIZE | CAGE CODE | DRAWING NO | RESTRICTED TO |
| A3 | 00779 | ©=292173 | - |

SCALE 5:1 SHEET 3 OF 6 REV C4

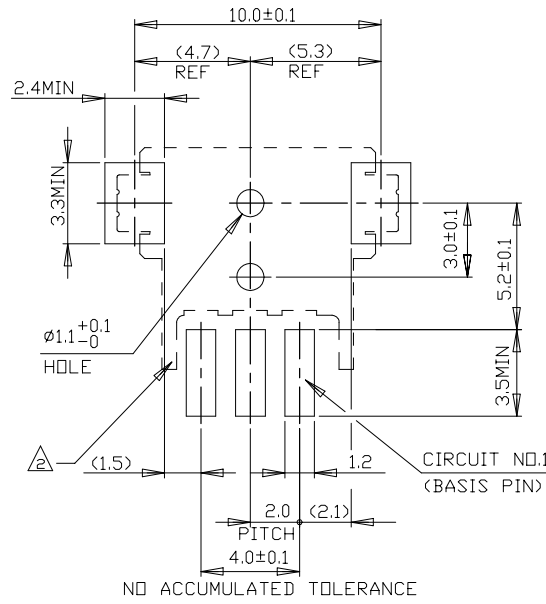
THIS DRAWING IS UNPUBLISHED. RELEASED FOR PUBLICATION
 © COPYRIGHT - By - ALL RIGHTS RESERVED.

| | | | | | | | |
|-----|------|-----------|-----|-------------|------|-----|------|
| LOC | DIST | REVISIONS | | | | | |
| ES | 00 | P | LTR | DESCRIPTION | DATE | DWN | APVD |
| | | - | - | SEE SHEET 1 | - | - | - |

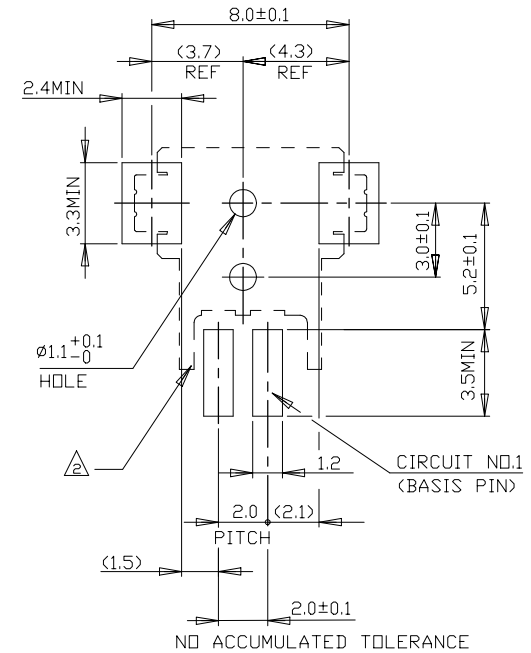
LAYOUT FOR 292173-X,1-292173-X



5 PDS. & ABOVE PDS.



3 PDS.



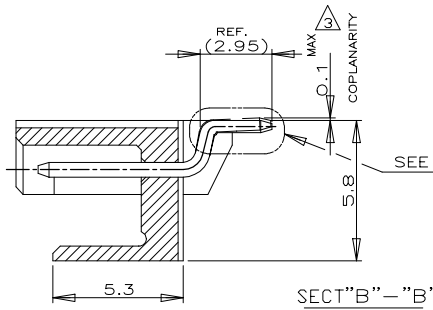
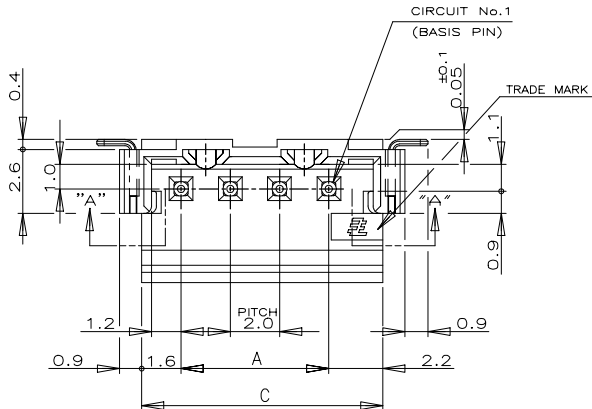
2 PDS.

RECOMMENDED P.C. BOARD LAYOUT
 (P.C.B THK:0.8mm MIN)

| | | | | | |
|--|--|------------------|-----------------------------|-----------|------------|
| THIS DRAWING IS A CONTROLLED DOCUMENT. | | DWN | | | |
| DIMENSIONS: MM | | CHK | | | |
| TOLERANCES UNLESS OTHERWISE SPECIFIED: | | APVD | NAME | | |
| 0 PLC ± | | PRODUCT SPEC | SMT TYPE POST HDR ASS'Y (H) | | |
| 1 PLC ± | | APPLICATION SPEC | WITH BOSS & TAIL TYPE | | |
| 2 PLC ± | | WEIGHT | SIZE | CAGE CODE | DRAWING NO |
| 3 PLC ± | | | A3 | 00779 | C-292173 |
| 4 PLC ± | | CUSTOMER DRAWING | RESTRICTED TO | | |
| ANGLES ± | | SCALE | SHEET | | REV |
| FINISH | | 5:1 | 4 OF 6 | | C4 |

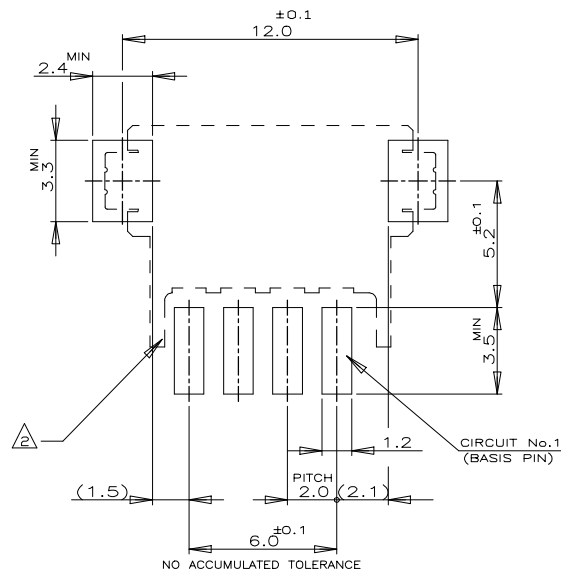
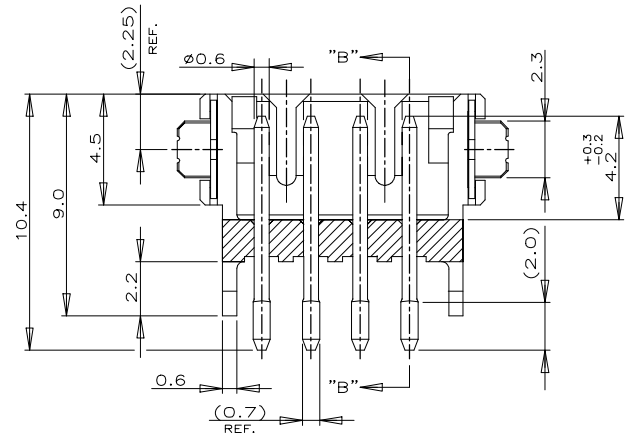
THIS DRAWING IS UNPUBLISHED. RELEASED FOR PUBLICATION
 © COPYRIGHT - By - ALL RIGHTS RESERVED.

| LOC | | DIST | | REVISIONS | | | | | |
|-----|--|------|--|-----------|-----|-------------|------|-----|------|
| ES | | 00 | | P | LTR | DESCRIPTION | DATE | DWN | APVD |
| | | | | - | - | SEE SHEET 1 | - | - | - |



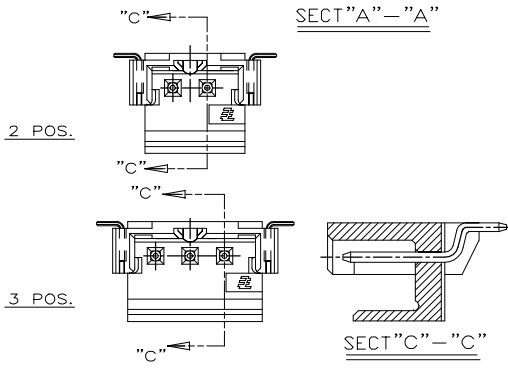
(AS SHOWN :4P)

- NOTES:
- MATERIAL : HSG-NYLON UL94V-0
 COLOR:BLACK,NATURAL
 POST:TIN BRASS
 TAIL: TIN BRASS
 - OCCUPANT AREA ON PC BOARD
 - TO BE MEASURED WITH CONNECTOR PLACED ON HORIZONTAL DATUM SURFACE,FLOAT OF SOLDER TINE AND TAIL FROM DATUM SURFACE IS 0.1mm MAX



RECOMENOD P.C.BOARD LAYOUT
 (P.C.B THK:0.8mm MIN)

| | | | | | |
|------|------|------|------|------------|------------|
| 16.0 | 19.8 | 22.0 | 9 | 3-292173-9 | 2-292173-9 |
| 14.0 | 17.8 | 20.0 | 8 | 3- -8 | 2- -8 |
| 12.0 | 15.8 | 18.0 | 7 | 3- -7 | 2- -7 |
| 10.0 | 13.8 | 16.0 | 6 | 3- -6 | 2- -6 |
| 8.0 | 11.8 | 14.0 | 5 | 3- -5 | 2- -5 |
| 6.0 | 9.8 | -- | 4 | 3- -4 | 2- -4 |
| 4.0 | 7.8 | -- | 3 | 3- -3 | 2- -3 |
| 2.0 | 5.8 | -- | 2 | 3-292173-2 | 2-292173-2 |
| A | C | D | Pos. | NATURAL | BLACK |
| P/N | | | | | |



TOLERANCES UNLESS OTHERWISE SPECIFIED:
 10>* : ±0.2
 30>*10 : ±0.25
 100>*30 : ±0.3
 ANGEL : ±3°

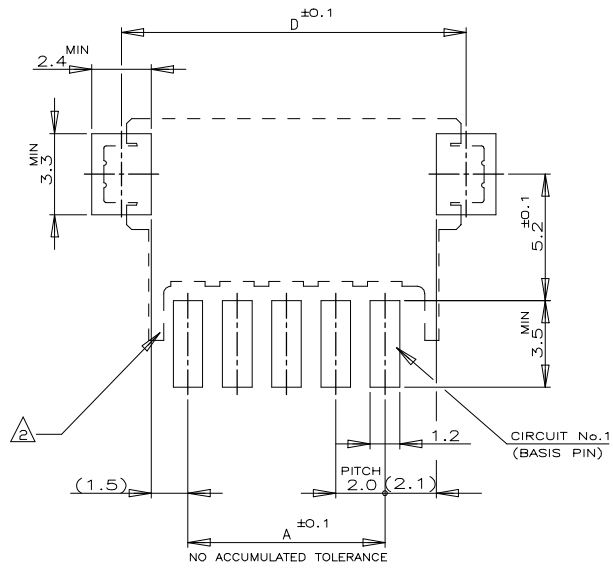
| | | | |
|--|----------|---------------------------------|-----------|
| THIS DRAWING IS A CONTROLLED DOCUMENT. | | DWN | - |
| DIMENSIONS: MM | | CHK | - |
| TOLERANCES UNLESS OTHERWISE SPECIFIED: | | APVD | - |
| 0 PLC | ± | NAME | |
| 1 PLC | ± | SMT TYPE POST HDR ASS'Y (BOX-H) | |
| 2 PLC | ± | W/O BOSS,WITH TAIL TYPE | |
| 3 PLC | ± | (TE CT CONN. 2mm PITCH) | |
| 4 PLC | ± | PRODUCT SPEC | 108-60016 |
| ANGLES | ± | APPLICATION SPEC | - |
| MATERIAL | SEE NOTE | FINISH | SEE NOTE |
| WEIGHT | - | SIZE | A3 |
| CUSTOMER DRAWING | - | CAGE CODE | 00779 |
| SCALE | 5:1 | DRAWING NO | C-292173 |
| SHEET | 5 of 6 | RESTRICTED TO | - |
| REV | C4 | | |

| | |
|---|----------|
| STE TE Connectivity | |
| SMT TYPE POST HDR ASS'Y (BOX-H) W/O BOSS,WITH TAIL TYPE (TE CT CONN. 2mm PITCH) | |
| SIZE | A3 |
| CAGE CODE | 00779 |
| DRAWING NO | C-292173 |
| RESTRICTED TO | - |
| SCALE | 5:1 |
| SHEET | 5 of 6 |
| REV | C4 |

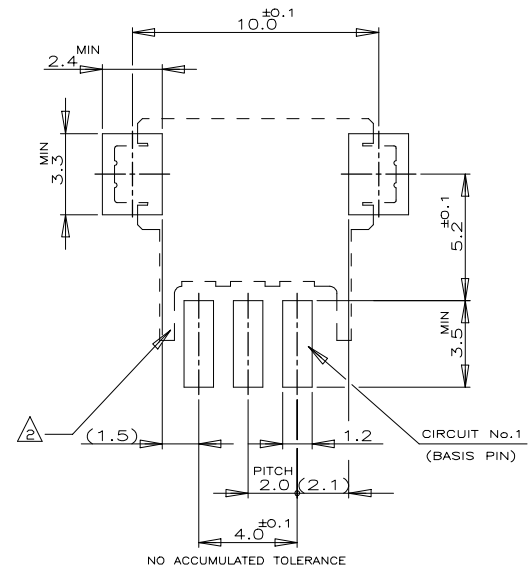
THIS DRAWING IS UNPUBLISHED. RELEASED FOR PUBLICATION
 © COPYRIGHT - By - ALL RIGHTS RESERVED.

| | | | | | | | |
|-----|------|-----------|-----|-------------|------|-----|------|
| LOC | DIST | REVISIONS | | | | | |
| ES | 00 | P | LTR | DESCRIPTION | DATE | DWN | APVD |
| | | - | - | SEE SHEET 1 | - | - | - |

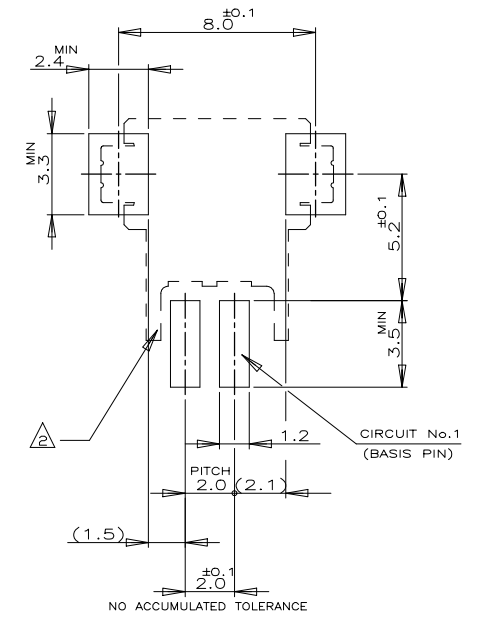
LAYOUT FOR 2-292173-X,3-2-292173-X



5 POS & ABOVE POS



3 POS



2 POS

RECOMENOD P.C.BOARD LAYOUT
 (P.C.B THK:0.8mm MIN)

| | | | | | | | |
|--|--|------------------|-----|---------------------|--|------------|---------------|
| THIS DRAWING IS A CONTROLLED DOCUMENT. | | DWN | - | TE Connectivity | NAME SMT TYPE POST HDR ASS'Y (H) W/O,WITH TAIL TYPE (TE CT CONN. 2mm PITCH) | | |
| DIMENSIONS: | TOLERANCES UNLESS OTHERWISE SPECIFIED: | CHK | - | | | | |
| MM | 0 PLC ± | APVD | - | | | | |
| | 1 PLC ± | PRODUCT SPEC | - | | | | |
| MATERIAL | FINISH | APPLICATION SPEC | - | SIZE | CAGE CODE | DRAWING NO | RESTRICTED TO |
| - | - | WEIGHT | - | A3 | 00779 | C-292173 | - |
| CUSTOMER DRAWING | | SCALE | 5:1 | SHEET | 6 OF 6 | REV | C4 |

X-ON Electronics

Largest Supplier of Electrical and Electronic Components

Click to view similar products for [Headers & Wire Housings](#) category:

Click to view products by [TE Connectivity](#) manufacturer:

Other Similar products are found below :

[892-18-020-10-001101](#) [58102-G61-06LF](#) [582553-1](#) [0009485154](#) [009176003701906](#) [0050291907](#) [LY20-4P-DT1-P1E-BR](#) [02.125.8002.8](#)
[609-3404](#) [61062-3](#) [61082-181009](#) [622-3653LF](#) [63453-116](#) [636-1030](#) [636-1427](#) [636-3427](#) [636-4007](#) [641938-9](#) [641991-4](#) [644827-2](#) [65817-010LF](#) [65817-015LF](#) [65863-015LF](#) [66207-023LF](#) [67095-007LF](#) [67601157](#) [68645-018](#) [68648-049](#) [70.362.1628.0](#) [70-4210](#) [70-4226B](#) [70-4853B](#) [707-5020](#) [707-5028](#) [71.350.2428.0](#) [71918-208LF](#) [71961-016LF](#) [733-134](#) [733-162](#) [754199-000](#) [760-3052](#) [787-8014-00](#) [79531-3000](#)
[FCN-360C032-B](#) [FCN-367T-T012/H](#) [FCN-723D010/2](#) [80.063.4001.1](#) [800-90-001-10-001000](#) [800-90-010-10-002000](#) [801-43-002-10-013000](#)