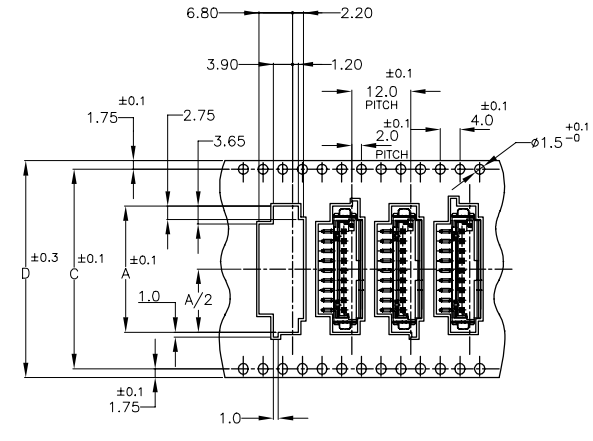
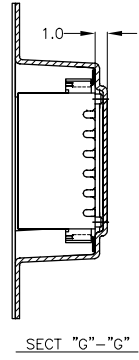
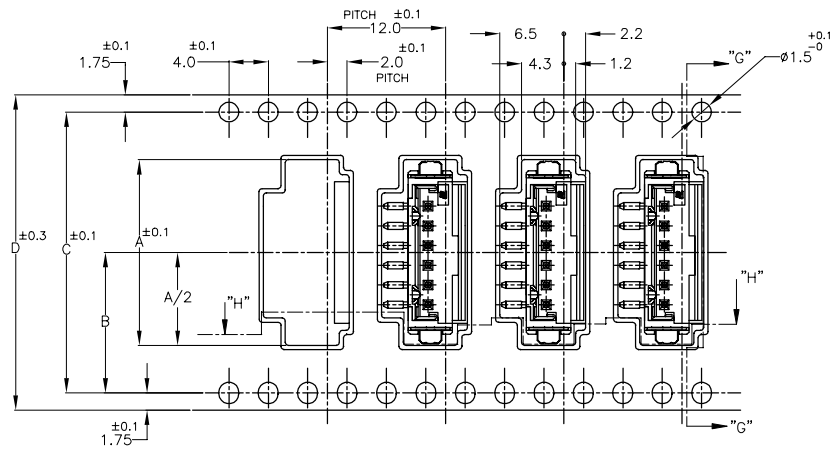


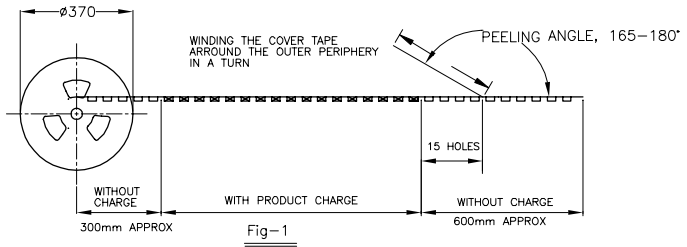
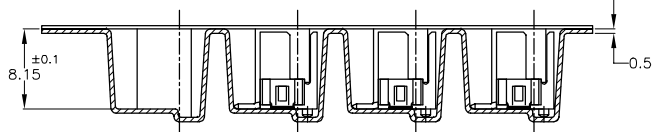
THIS DRAWING IS UNPUBLISHED. RELEASED FOR PUBLICATION
 © COPYRIGHT - By - ALL RIGHTS RESERVED.

| LOC | DIST | REVISIONS | | | | | |
|-----|------|-----------|-----|---------------|-----------|-----|------|
| ES | 00 | P | LTR | DESCRIPTION | DATE | DWN | APVD |
| | | C2 | | ECR-21-101067 | 09APR2021 | T.Q | N.S |

(AS SHOWN : -6)



9P ONLY



| | | | | | | | |
|-------------|------|------|------|-------|--------------|-------|------------|
| BLACK | | 44.0 | 40.5 | 20.25 | 25.6 | 9 | 2-292174-9 |
| | | 44.0 | 40.4 | 20.2 | 22.9 | 8 | 2- -8 |
| | | 32.0 | 28.4 | 14.2 | 20.9 | 7 | 2- -7 |
| | | 32.0 | 28.4 | 14.2 | 18.9 | 6 | 2- -6 |
| | | 32.0 | 28.4 | 14.2 | 16.9 | 5 | 2- -5 |
| | | 32.0 | 28.4 | 14.2 | 14.9 | 4 | 2- -4 |
| NATURAL | WITH | 32.0 | 28.4 | 14.2 | 12.9 | 3 | 2- -3 |
| | | 44.0 | 40.5 | 20.25 | 25.6 | 9 | 292174-9 |
| | | 44.0 | 40.4 | 20.2 | 22.9 | 8 | 2- -8 |
| | | 32.0 | 28.4 | 14.2 | 20.9 | 7 | 2- -7 |
| | | 32.0 | 28.4 | 14.2 | 18.9 | 6 | 2- -6 |
| | | 32.0 | 28.4 | 14.2 | 16.9 | 5 | 2- -5 |
| | 32.0 | 28.4 | 14.2 | 14.9 | 4 | 2- -4 | |
| | 32.0 | 28.4 | 14.2 | 12.9 | 3 | 2- -3 | |
| | WITH | 32.0 | 28.4 | 14.2 | 10.9 | 2 | 292174-2 |
| COLOR PLATE | D | C | B | A | 700 QTY REEL | POS | TAPING P/N |

NOTES:
 1. PEELING RESISTANCE: 0.196N(20gf)-0.686N(70gf)
 PEELING SPEED: 300mm/min

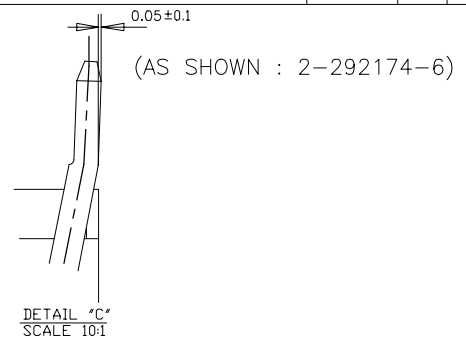
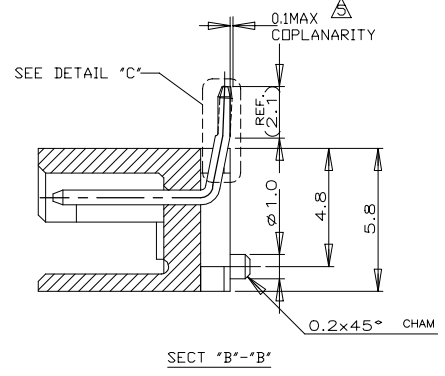
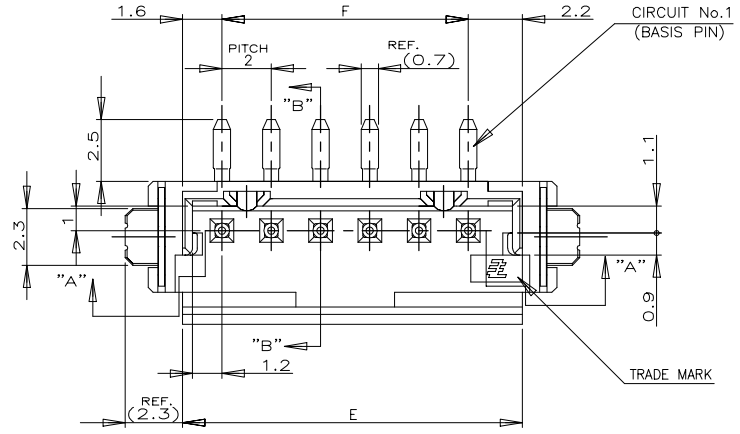
| TOLERANCE UNLESS OTHERWISE SPECIFIED | |
|--------------------------------------|-------|
| 10 > * | ±0.2 |
| 30 > * > 10 | ±0.25 |
| 100 > * > 30 | ±0.3 |
| ANGLE | ±3' |

THIS DRAWING IS A CONTROLLED DOCUMENT.

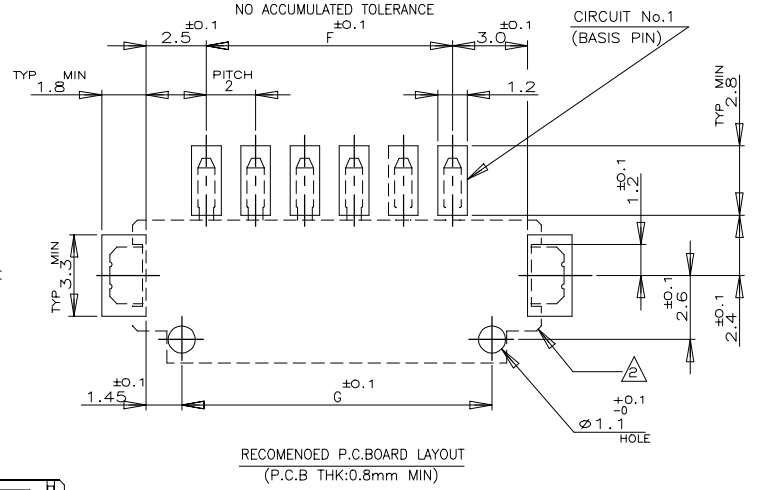
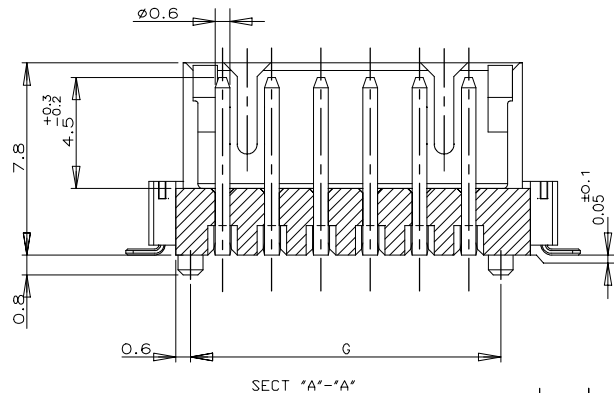
| | | | |
|----------------|--|-------------------------|---|
| DIMENSIONS: MM | TOLERANCES UNLESS OTHERWISE SPECIFIED: | DWN JACK HOU 17SEP10 | TE Connectivity ON TAPING (EMBOSS) TE CT CONNECTOR POST HEADER ASS'Y (BOX-V SMT W/BOSS & TAIL) |
| | 0 PLC ± | CHK MARTIN LI 17SEP10 | |
| | 1 PLC ± | APVD STEVEN YAO 17SEP10 | |
| | 2 PLC ± | PRODUCT SPEC | |
| MATERIAL | FINISH | APPLICATION SPEC | RESTRICTED TO |
| | 3 PLC ± | WEIGHT | A3 00779 C-292174 |
| | 4 PLC ± | CUSTOMER DRAWING | SCALE // SHEET 1 of 3 REV C2 |

THIS DRAWING IS UNPUBLISHED. RELEASED FOR PUBLICATION
 © COPYRIGHT - By - ALL RIGHTS RESERVED.

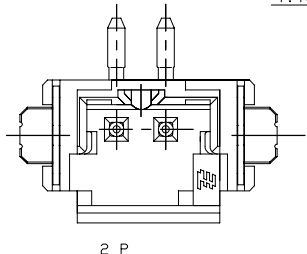
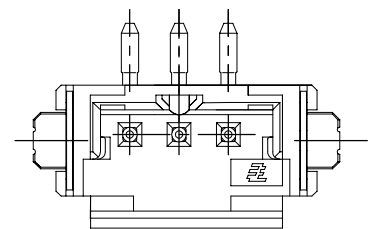
| LOC | DIST | REVISIONS | | | | | |
|-----|------|-----------|-----|-------------|------|-----|------|
| ES | 00 | P | LTR | DESCRIPTION | DATE | DWN | APVD |
| | | - | - | SEE SHEET 1 | - | - | - |



- NOTES:
- MATERIAL:HSG: NYLON (UL94V-0)
 COLOR:BLACK OR NATURAL
 POST:TIN BRASS
 TAIL:TIN BRASS
 - △ OCCUPANT AREA ON PC BOARD
 - PRODUCT SPEC :108-60016
 - △ TO BE MEASURED WITH CONNECTOR PLACED ON HORIZONTAL DATUM SURFACE, FLOAT OF SOLDER TINE AND TAIL FROM DATUM SURFACE IS 0.1mm MAX
 - △ 292174-6 SHOWED ON SHEET 3/3.



| | | | | | |
|------|------|------|------|------------|----------|
| 18.6 | 16.0 | 19.8 | 9 | 2-292174-9 | 292174-9 |
| 16.6 | 14.0 | 17.8 | 8 | 2-8 | -8 |
| 14.6 | 12.0 | 15.8 | 7 | 2-7 | -7 |
| 12.6 | 10.0 | 13.8 | 6 | 2-6 | -6 |
| 10.6 | 8.0 | 11.8 | 5 | 2-5 | -5 |
| 8.6 | 6.0 | 9.8 | 4 | 2-4 | -4 |
| 6.6 | 4.0 | 7.8 | 3 | 2-3 | -3 |
| 4.6 | 2.0 | 5.8 | 2 | 2-292174-2 | 292174-2 |
| G | F | E | Pos. | BLACK | NATURAL |
| P/N | | | | | |



TOLERANCES UNLESS OTHERWISE SPECIFIED:
 10>* : ±0.2
 30>*>10 : ±0.25
 100>*>30 : ±0.3
 ANGEL : ±3°

| | | |
|--|--|-------------------------|
| THIS DRAWING IS A CONTROLLED DOCUMENT. | | DWN JACK HOU 17SEP10 |
| DIMENSIONS: MM | | CHK MARTIN LI 17SEP10 |
| TOLERANCES UNLESS OTHERWISE SPECIFIED: | | APVD STEVEN YAO 17SEP10 |
| 0 PLC ± | | NAME PRODUCT SPEC |
| 1 PLC ± | | APPLICATION SPEC |
| 2 PLC ± | | WEIGHT - |
| 3 PLC ± | | SIZE A3 |
| 4 PLC ± | | CAGE CODE 00779 |
| ANGLES ± | | DRAWING NO C-292174 |
| FINISH | | RESTRICTED TO |
| MATERIAL SEE NOTE | | SCALE 5:1 |
| SEE NOTE | | SHEET 2 of 3 |
| CUSTOMER DRAWING | | REV C2 |

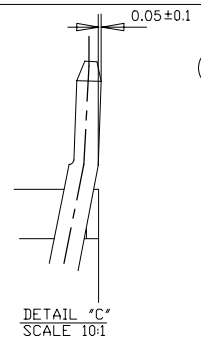
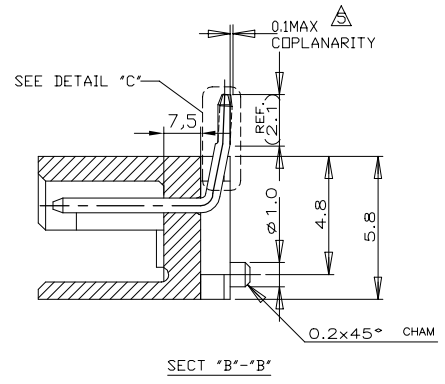
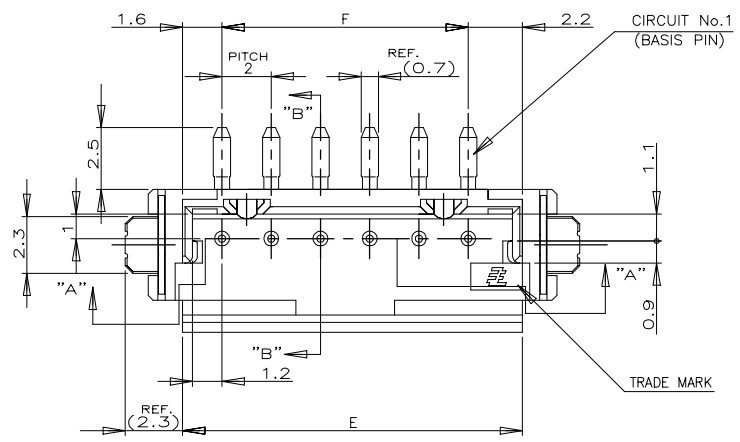
STE TE Connectivity

SMT TYPE POST HDR ASS'Y(V)
 WITH BOSS & WITH TAIL TYPE
 TE CT CONN. 2 mm PITCH

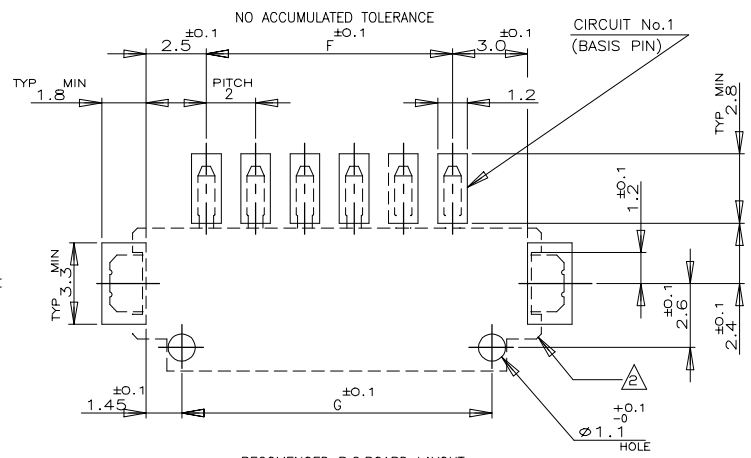
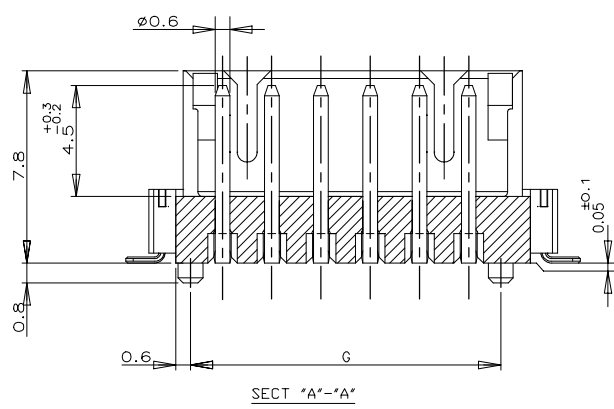
RESTRICTED TO

THIS DRAWING IS UNPUBLISHED. RELEASED FOR PUBLICATION
 © COPYRIGHT - By - ALL RIGHTS RESERVED.

| LOC | DIST | REVISIONS | | | | | |
|-----|------|-----------|-----|-------------|------|-----|------|
| ES | 00 | P | LTR | DESCRIPTION | DATE | DWN | APVD |
| | | - | - | SEE SHEET 1 | - | - | - |



- NOTES:
- MATERIAL:HSG: NYLON (UL94V-0)
 COLOR:BLACK OR NATURAL
 POST:TIN BRASS
 TAIL:TIN BRASS
 - △ OCCUPANT AREA ON PC BOARD
 - PRODUCT SPEC :108-60016
 - △ TO BE MEASURED WITH CONNECTOR PLACED ON HORIZONTAL DATUM SURFACE, FLOAT OF SOLDER TINE AND TAIL FROM DATUM SURFACE IS 0.1mm MAX



RECOMMENDED P.C. BOARD LAYOUT
 (P.C.B THK:0.8mm MIN)

| | | | | |
|------|------|------|------|----------|
| 12.6 | 10.0 | 13.8 | 6 | 292174-6 |
| G | F | E | Pos. | NATURAL |
| | | | | P/N |

| | | | | | | | | | |
|--|--|-------------------------------|---------|--------------------|---------------------|--|--------------------|------------------------|---------------|
| THIS DRAWING IS A CONTROLLED DOCUMENT. | | DWN JACK HOU 17SEP10 | 17SEP10 | | TE Connectivity | SMT TYPE POST HDR ASS'Y(V) WITH BOSS & WITH TAIL TYPE TE CT CONN. 2 mm PITCH | | | |
| DIMENSIONS: MM | | CHK MARTIN LI 17SEP10 | 17SEP10 | | | NAME | | | |
| TOLERANCES UNLESS OTHERWISE SPECIFIED: | | APVD STEVEN YAO 17SEP10 | 17SEP10 | | | PRODUCT SPEC | | | |
| | | APPLICATION SPEC | | DRAWING NO | | RESTRICTED TO | | | |
| TOLERANCES UNLESS OTHERWISE SPECIFIED: 10>* : ±0.2 30>*10 : ±0.25 100>*30 : ±0.3 ANGEL : ±3° | | MATERIAL SEE NOTE | | FINISH SEE NOTE | | SIZE A3 | CAGE CODE 00779 | DRAWING NO C-292174 | RESTRICTED TO |
| | | WEIGHT - | | CUSTOMER DRAWING | | SCALE 5:1 | SHEET 3 of 3 | REV C2 | |

X-ON Electronics

Largest Supplier of Electrical and Electronic Components

Click to view similar products for [Headers & Wire Housings](#) category:

Click to view products by [TE Connectivity](#) manufacturer:

Other Similar products are found below :

[892-18-020-10-001101](#) [58102-G61-06LF](#) [582553-1](#) [0009485154](#) [009176003701906](#) [0050291907](#) [LY20-4P-DT1-P1E-BR](#) [02.125.8002.8](#)
[609-3404](#) [61062-3](#) [61082-181009](#) [622-3653LF](#) [63453-116](#) [636-1030](#) [636-1427](#) [636-3427](#) [636-4007](#) [641938-9](#) [641991-4](#) [644827-2](#) [65817-010LF](#) [65817-015LF](#) [65863-015LF](#) [66207-023LF](#) [67095-007LF](#) [67601157](#) [68645-018](#) [68648-049](#) [70.362.1628.0](#) [70-4210](#) [70-4226B](#) [70-4853B](#) [707-5020](#) [707-5028](#) [71.350.2428.0](#) [71918-208LF](#) [71961-016LF](#) [733-134](#) [733-162](#) [754199-000](#) [760-3052](#) [787-8014-00](#) [79531-3000](#)
[FCN-360C032-B](#) [FCN-367T-T012/H](#) [FCN-723D010/2](#) [80.063.4001.1](#) [800-90-001-10-001000](#) [800-90-010-10-002000](#) [801-43-002-10-013000](#)