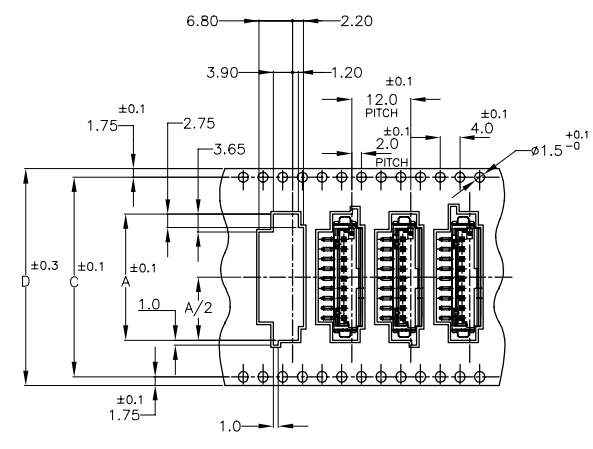
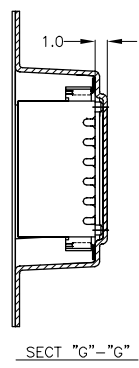
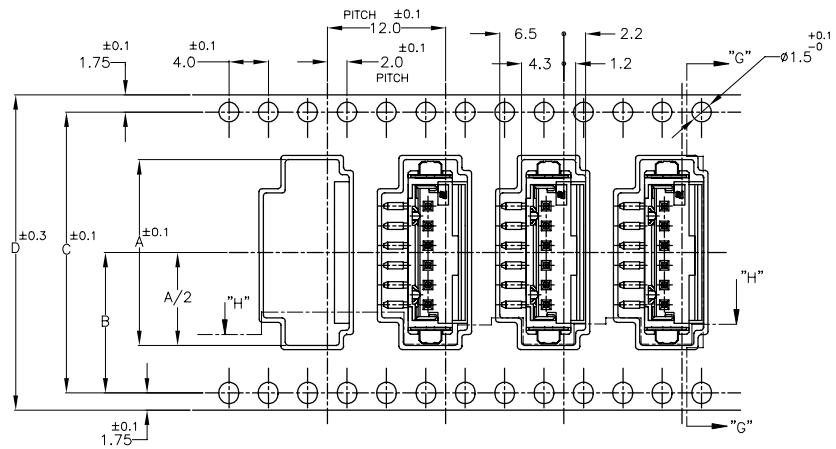


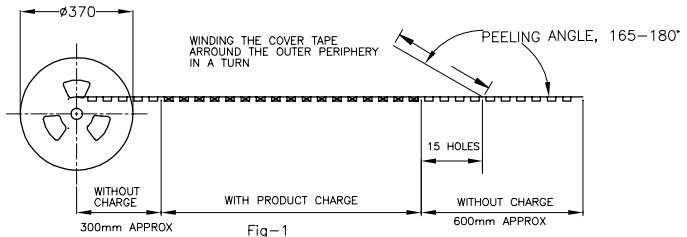
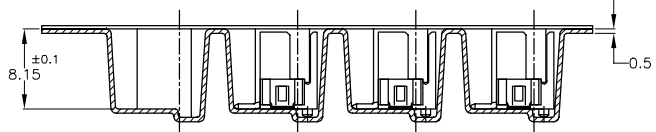
THIS DRAWING IS UNPUBLISHED. RELEASED FOR PUBLICATION
 © COPYRIGHT - By - ALL RIGHTS RESERVED.

LOC	DIST	REVISIONS					
ES	00	P	LTR	DESCRIPTION	DATE	DWN	APVD
		C2		ECR-21-101067	09APR2021	T.Q	N.S

(AS SHOWN : -6)



9P ONLY



BLACK		44.0	40.5	20.25	25.6	9	2-292174-9
		44.0	40.4	20.2	22.9	8	2- -8
		32.0	28.4	14.2	20.9	7	2- -7
		32.0	28.4	14.2	18.9	6	2- -6
		32.0	28.4	14.2	16.9	5	2- -5
		32.0	28.4	14.2	14.9	4	2- -4
NATURAL	WITH	32.0	28.4	14.2	12.9	3	2- -3
		32.0	28.4	14.2	10.9	2	2-292174-2
		44.0	40.5	20.25	25.6	9	292174-9
		44.0	40.4	20.2	22.9	8	-8
		32.0	28.4	14.2	20.9	7	-7
		32.0	28.4	14.2	18.9	6	-6
	32.0	28.4	14.2	16.9	5	-5	
	32.0	28.4	14.2	14.9	4	-4	
	32.0	28.4	14.2	12.9	3	-3	
	WITH	32.0	28.4	14.2	10.9	2	292174-2
COLOR PLATE	D	C	B	A	700 QTY REEL	POS	TAPING P/N

- NOTES:
 1. PEELING RESISTANCE: 0.196N(20gf)-0.686N(70gf)
 PEELING SPEED: 300mm/min

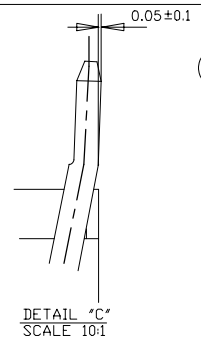
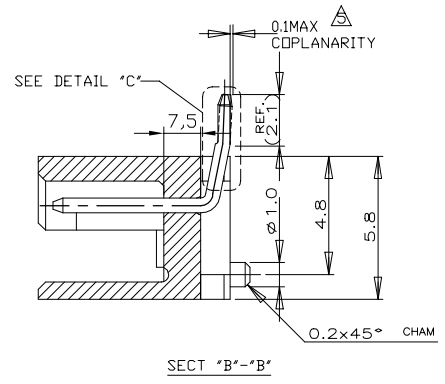
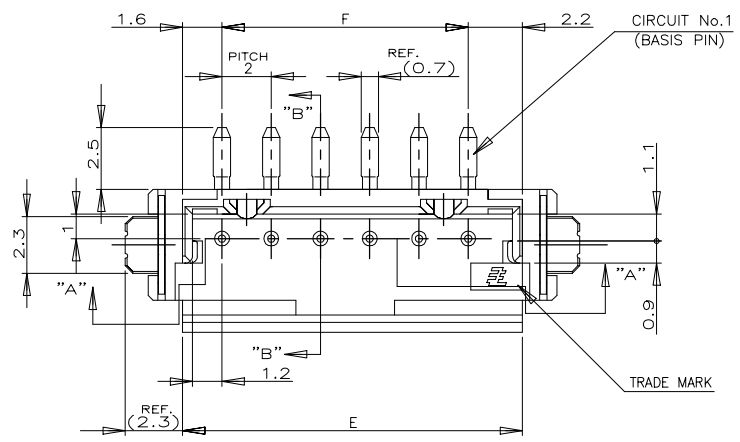
TOLERANCE UNLESS OTHERWISE SPECIFIED	
10 > *	±0.2
30 > * > 10	±0.25
100 > * > 30	±0.3
ANGLE	±3°

THIS DRAWING IS A CONTROLLED DOCUMENT.		DWN	JACK HOU	17SEP10
DIMENSIONS: MM		CHK	MARTIN LI	17SEP10
TOLERANCES UNLESS OTHERWISE SPECIFIED:		APVD	STEVEN YAO	17SEP10
0 PLC ±		PRODUCT SPEC	NAME	
1 PLC ±		APPLICATION SPEC	ON TAPING (EMBOSS)	
2 PLC ±		WEIGHT	TE CT CONNECTOR POST HEADER ASS'Y	
3 PLC ±		CUSTOMER DRAWING	(BOX-V SMT W/BOSS & TAIL)	
4 PLC ±		SCALE	A3 00779	C-292174
ANGLES ±		SHEET	1 of 3	REV C2
MATERIAL		RESTRICTED TO	-	



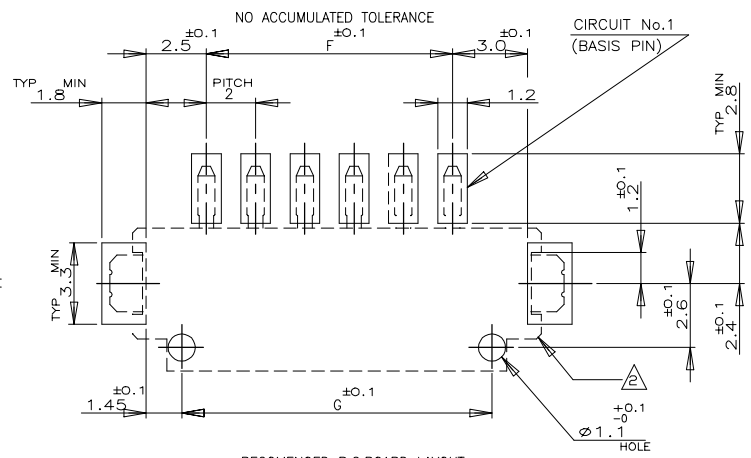
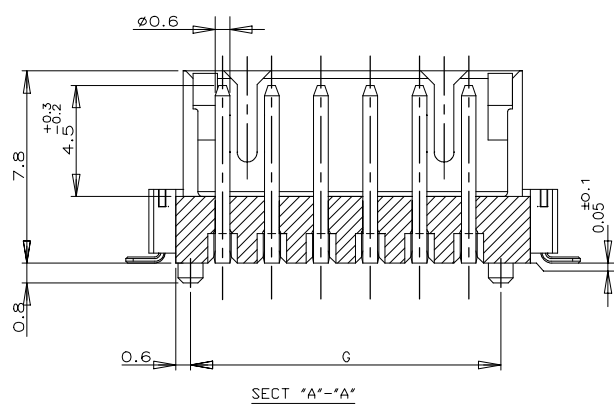
THIS DRAWING IS UNPUBLISHED. RELEASED FOR PUBLICATION
 © COPYRIGHT - By - ALL RIGHTS RESERVED.

LOC	DIST	REVISIONS					
ES	00	P	LTR	DESCRIPTION	DATE	DWN	APVD
		-	-	SEE SHEET 1	-	-	-



(AS SHOWN : 292174-6)

- NOTES:
- MATERIAL:HSG: NYLON (UL94V-0)
 COLOR:BLACK OR NATURAL
 POST:TIN BRASS
 TAIL:TIN BRASS
 - △ OCCUPANT AREA ON PC BOARD
 - PRODUCT SPEC :108-60016
 - △ TO BE MEASURED WITH CONNECTOR PLACED ON HORIZONTAL DATUM SURFACE, FLOAT OF SOLDER TINE AND TAIL FROM DATUM SURFACE IS 0.1mm MAX



RECOMENOED P.C.BOARD LAYOUT
 (P.C.B THK:0.8mm MIN)

12.6	10.0	13.8	6	292174-6
G	F	E	Pos.	NATURAL
				P/N

THIS DRAWING IS A CONTROLLED DOCUMENT.		DWN JACK HOU 17SEP10	17SEP10	
DIMENSIONS: MM		CHK MARTIN LI 17SEP10	NAME	
TOLERANCES UNLESS OTHERWISE SPECIFIED: 0 PLC ± - 1 PLC ± - 2 PLC ± - 3 PLC ± - 4 PLC ± - ANGLES ± -		APVD STEVEN YAO 17SEP10	PRODUCT SPEC	
TOLERANCES UNLESS OTHERWISE SPECIFIED: 10>* : ±0.2 30>*10 : ±0.25 100>*30 : ±0.3 ANGEL : ±3°		SEE NOTE		APPLICATION SPEC
MATERIAL SEE NOTE		FINISH SEE NOTE		WEIGHT -
SEE NOTE		SEE NOTE		SIZE A3
SEE NOTE		SEE NOTE		CAGE CODE 00779
SEE NOTE		SEE NOTE		DRAWING NO C-292174
SEE NOTE		SEE NOTE		RESTRICTED TO
SEE NOTE		SEE NOTE		SCALE 5:1
SEE NOTE		SEE NOTE		SHEET 3 of 3
SEE NOTE		SEE NOTE		REV C2



SMT TYPE POST HDR ASS'Y(V)
 WITH BOSS & WITH TAIL TYPE
 TE CT CONN. 2 mm PITCH)

X-ON Electronics

Largest Supplier of Electrical and Electronic Components

Click to view similar products for [Headers & Wire Housings](#) category:

Click to view products by [TE Connectivity](#) manufacturer:

Other Similar products are found below :

[892-18-020-10-001101](#) [58102-G61-06LF](#) [582553-1](#) [0009485154](#) [009176003701906](#) [0050291907](#) [LY20-4P-DT1-P1E-BR](#) [02.125.8002.8](#)
[609-3404](#) [61062-3](#) [61082-181009](#) [622-3653LF](#) [63453-116](#) [636-1030](#) [636-1427](#) [636-3427](#) [636-4007](#) [641938-9](#) [641991-4](#) [644827-2](#) [65817-](#)
[010LF](#) [65817-015LF](#) [65863-015LF](#) [66207-023LF](#) [67095-007LF](#) [67601157](#) [68645-018](#) [68648-049](#) [70.362.1628.0](#) [70-4210](#) [70-4226B](#) [70-](#)
[4853B](#) [707-5020](#) [707-5028](#) [71.350.2428.0](#) [71918-208LF](#) [71961-016LF](#) [733-134](#) [733-162](#) [754199-000](#) [760-3052](#) [79531-3000](#) [FCN-](#)
[360C032-B](#) [FCN-367T-T012/H](#) [FCN-723D010/2](#) [80.063.4001.1](#) [800-90-010-10-002000](#) [801-43-002-10-013000](#) [801-43-006-10-002000](#)
[801-93-011-10-001000](#)