

4

3

2

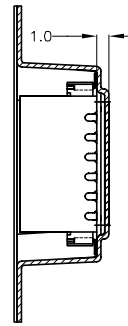
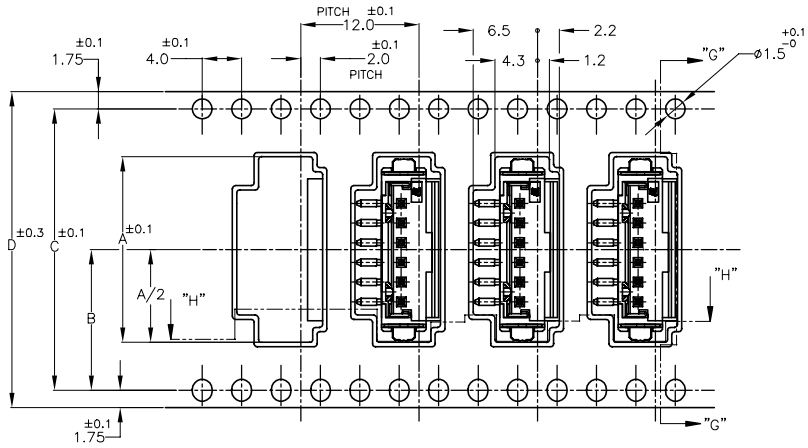
1

© - TE Connectivity. All Rights Reserved.

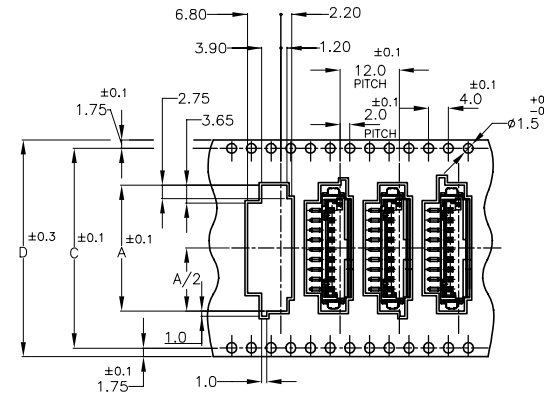
REVISIONS

P	LTR	DESCRIPTION	DATE	DWN	APVD
	B3	ECR-21-101067	06APR2021	T.Q	N.S

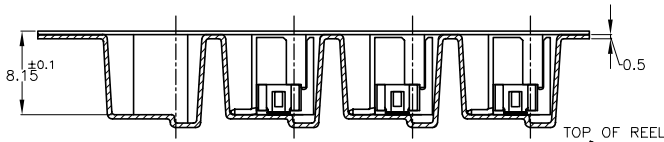
(AS SHOWN : -6)



SECT "G"- "G"



9P ONLY



SECT "H"- "H"

TOP OF REEL

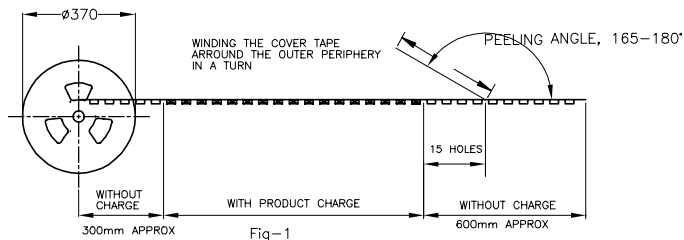


Fig-1

OBSOLETE	BLACK	44.0	40.50	20.25	25.60	9	2-292175-9	
		44.0	40.4	20.2	22.9	8	2-	-8
		32.0	28.4	14.2	20.9	7	2-	-7
		32.0	28.4	14.2	18.9	6	2-	-6
		32.0	28.4	14.2	16.9	5	2-	-5
		32.0	28.4	14.2	14.9	4	2-	-4
		32.0	28.4	14.2	12.9	3	2-	-3
	WITH	32.0	28.4	14.2	10.9	700	2	2-292175-2
NATURAL	44.0	40.50	20.25	25.60	9	292175-9		
	44.0	40.4	20.2	22.9	8	2-	-8	
	32.0	28.4	14.2	20.9	7	2-	-7	
	32.0	28.4	14.2	18.9	6	2-	-6	
	32.0	28.4	14.2	16.9	5	2-	-5	
	32.0	28.4	14.2	14.9	4	2-	-4	
	32.0	28.4	14.2	12.9	3	2-	-3	
	WITH	32.0	28.4	14.2	10.9	700	2	292175-2
COLOR	PLATE	D	C	B	A	QTY/REEL	POS	TAPING P/N

- NOTES:
1. PEELING RESISTANCE: 0.196N(20gf)-0.686N(70gf)
SPEED: 300mm/min

TOLERANCE UNLESS OTHERWISE SPECIFIED

10>* 30>*10 100>*30 ANGLE	±0.2 ±0.25 ±0.3 ±3°
------------------------------------	------------------------------

THIS DRAWING IS A CONTROLLED DOCUMENT.

DIMENSIONS: mm

TOLERANCES UNLESS OTHERWISE SPECIFIED:



- | | |
|--------|---|
| 0 PLC | ± |
| 1 PLC | ± |
| 2 PLC | ± |
| 3 PLC | ± |
| 4 PLC | ± |
| ANGLES | ± |
| FINISH | ± |

MATERIAL

DWN JACH HOU 19SEP10
 CHK MARTIN LI 19SEP10
 APVD STEVEN YAO 19SEP10
 PRODUCT SPEC
 108-60016
 APPLICATION SPEC
 WEIGHT
 CUSTOMER DRAWING

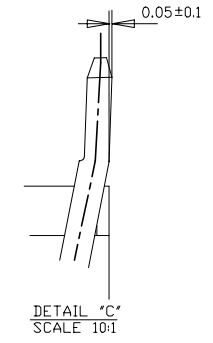
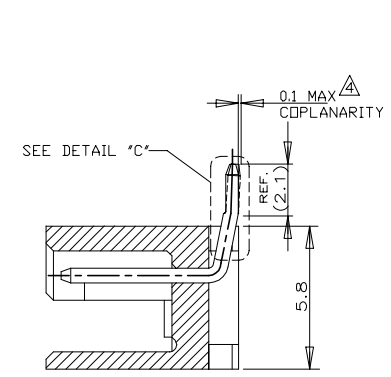
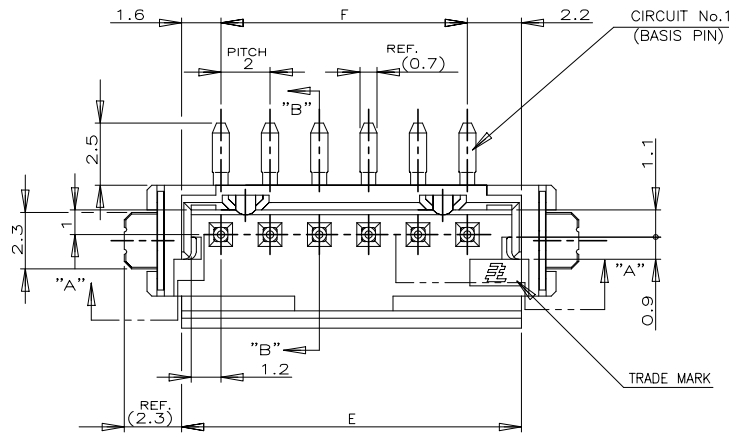


ON TAPING
 TE CT CONNECTOR POST HEADER ASSY
 BOX V SMT

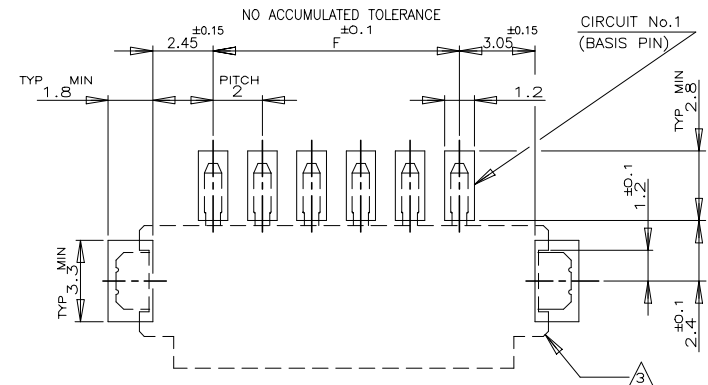
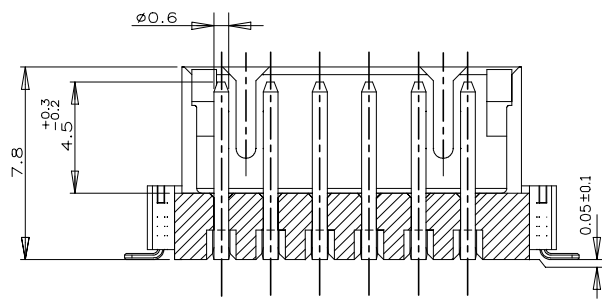
SIZE	CAGE CODE	DRAWING NO	RESTRICTED TO
A3	00779	C-292175	-
SCALE	SHEET	REV	
1:1	1 of 3	B3	

REVISIONS

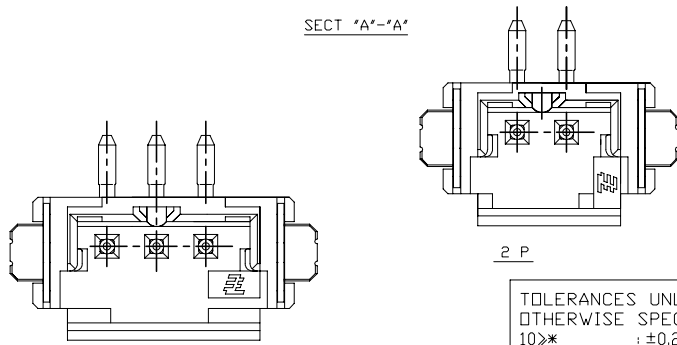
P	LTR	DESCRIPTION	DATE	DWN	APVD
-	-	SEE SHEET 1	-	-	-



NOTES:
 2. MATERIAL:HSG-NYLON (UL94V-0)
 COLOR:NATURAL,BLACK
 POST:TIN BRASS
 TAIL: TIN BRASS
 △ OCCUPANT AREA ON PC BOARD
 △ TO BE MEASURED WITH CONNECTOR PLACED ON HORIZONTAL DATUM SURFACE, FLOAT OF SOLDER TINE AND TAIL FROM DATUM SURFACE IS 0.1mm MAX



16.0	19.8	9	2-292175-9	292175-9
14.0	17.8	8	2- -8	-8
12.0	15.8	7	2- -7	-7
10.0	13.8	6	2- -6	-6
8.0	11.8	5	2- -5	-5
6.0	9.8	4	2- -4	-4
4.0	7.8	3	2- -3	-3
2.0	5.8	2	2-292175-2	292175-2
F	E	POS.	BLACK	NATURAL
P/N				



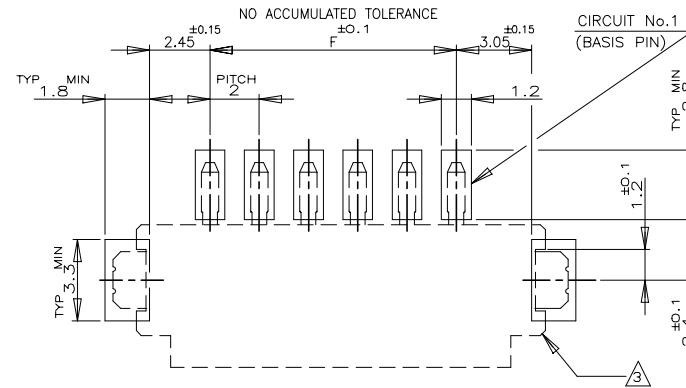
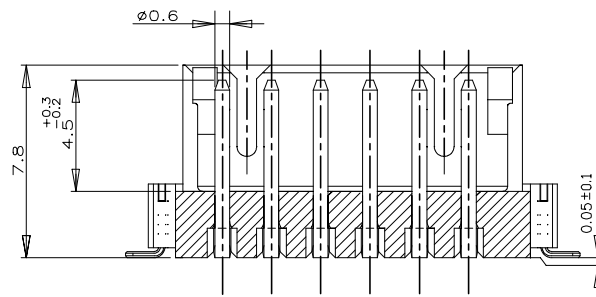
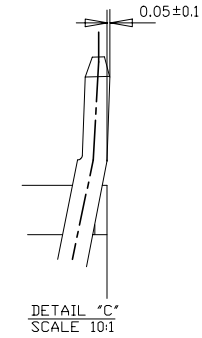
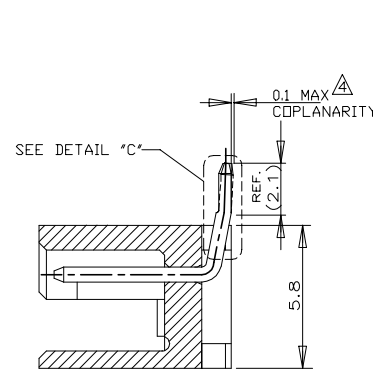
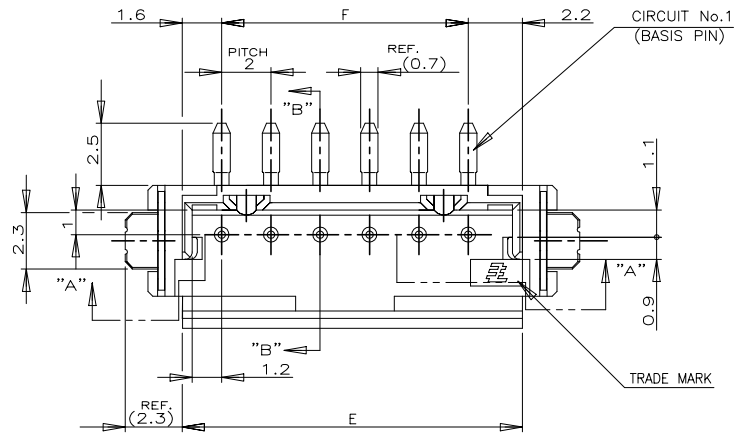
TOLERANCES UNLESS OTHERWISE SPECIFIED:
 10** : ±0.2
 30**>10 : ±0.25
 100**>30 : ±0.3
 ANGEL : ±3°

THIS DRAWING IS A CONTROLLED DOCUMENT.		DWN	JACH HOU	19SEP10
DIMENSIONS: mm		CHK	MARTIN LI	19SEP10
TOLERANCES UNLESS OTHERWISE SPECIFIED:		APVD	STEVEN YAO	19SEP10
0 PLC	±	NAME	ON TAPING (EMBOSS)	
1 PLC	±	PRODUCT SPEC	TE CT CONNECTOR POST HEADER ASS'Y	
2 PLC	±	APPLICATION SPEC	(BOX-V SMT W/O BOSS & W/TAI)	
3 PLC	±	WEIGHT	108-60016	
4 PLC	±	CUSTOMER DRAWING	108-60016	
ANGLES	±	SCALE	A3 00779 C-292175	
FINISH	±	SHEET	2 of 3	
MATERIAL		REV	B3	

TE TE Connectivity	
ON TAPING (EMBOSS)	
TE CT CONNECTOR POST HEADER ASS'Y	
(BOX-V SMT W/O BOSS & W/TAI)	
SIZE	RESTRICTED TO
A3	-
CAGE CODE	
C-292175	
DRAWING NO	
SCALE	
SHEET	
2 of 3	
REV	
B3	

REVISIONS

P	LTR	DESCRIPTION	DATE	DWN	APVD
-	-	SEE SHEET 1	-	-	-

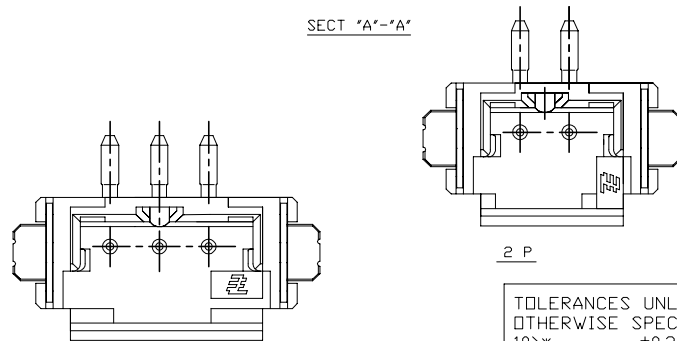


NOTES:

- MATERIAL:HSG-NYLON (UL94V-0)
COLOR:NATURAL, BLACK
POST:TIN BRASS
TAIL: TIN BRASS
- △ OCCUPANT AREA ON PC BOARD
- △ TO BE MEASURED WITH CONNECTOR PLACED ON HORIZONTAL DATUM SURFACE, FLOAT OF SOLDER TINE AND TAIL FROM DATUM SURFACE IS 0.1mm MAX

RECOMENOD P.C.BOARD LAYOUT
(P.C.B THK:0.8mm MIN)

10.0	13.8	6	2-292175-6	292175-6
F	E	POS.	BLACK	NATURAL
P/N				



TOLERANCES UNLESS OTHERWISE SPECIFIED:

10**	: ±0.2
30**>10	: ±0.25
100**>30	: ±0.3
ANGEL	: ±3°

THIS DRAWING IS A CONTROLLED DOCUMENT.

DIMENSIONS:
mm

TOLERANCES UNLESS OTHERWISE SPECIFIED:

0 PLC	±
1 PLC	±
2 PLC	±
3 PLC	±
4 PLC	±
ANGLES	±
FINISH	±

MATERIAL

DWN JACH HOU 19SEP10
CHK MARTIN LI 19SEP10
APVD STEVEN YAO 19SEP10
PRODUCT SPEC
108-60016
APPLICATION SPEC

WEIGHT

CUSTOMER DRAWING

DWN JACH HOU 19SEP10
CHK MARTIN LI 19SEP10
APVD STEVEN YAO 19SEP10
NAME
TE Connectivity

ON TAPING (EMBOSS)
TE CT CONNECTOR POST HEADER ASS'Y
(BOX-V SMT W/O BOSS & W/TAI)

SIZE	CAGE CODE	DRAWING NO	RESTRICTED TO
A3	00779	C-292175	-

SCALE	SHEET	REV
	3 of 3	B3

X-ON Electronics

Largest Supplier of Electrical and Electronic Components

Click to view similar products for [Headers & Wire Housings](#) category:

Click to view products by [TE Connectivity](#) manufacturer:

Other Similar products are found below :

[892-18-020-10-001101](#) [58102-G61-06LF](#) [582553-1](#) [0009485154](#) [009176003701906](#) [0050291907](#) [LY20-4P-DT1-P1E-BR](#) [02.125.8002.8](#)
[609-3404](#) [61062-3](#) [61082-181009](#) [622-3653LF](#) [63453-116](#) [636-1030](#) [636-1427](#) [636-3427](#) [636-4007](#) [641938-9](#) [641991-4](#) [644827-2](#) [65817-](#)
[010LF](#) [65817-015LF](#) [65863-015LF](#) [66207-023LF](#) [67095-007LF](#) [67601157](#) [68645-018](#) [68648-049](#) [70.362.1628.0](#) [70-4210](#) [70-4226B](#) [70-](#)
[4853B](#) [707-5020](#) [707-5028](#) [71.350.2428.0](#) [71918-208LF](#) [71961-016LF](#) [733-134](#) [733-162](#) [754199-000](#) [760-3052](#) [787-8014-00](#) [79531-3000](#)
[FCN-360C032-B](#) [FCN-367T-T012/H](#) [FCN-723D010/2](#) [80.063.4001.1](#) [800-90-001-10-001000](#) [800-90-010-10-002000](#) [801-43-002-10-013000](#)