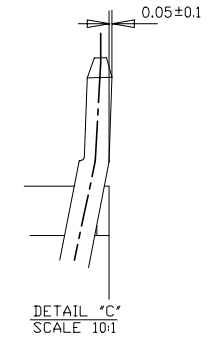
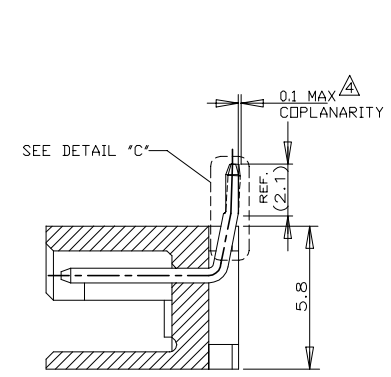
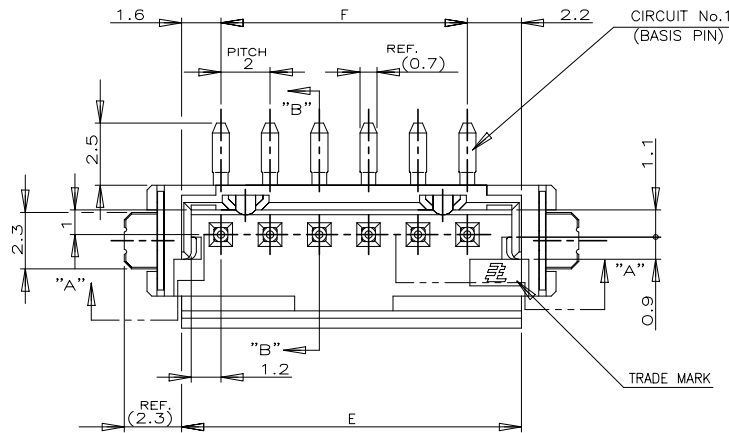
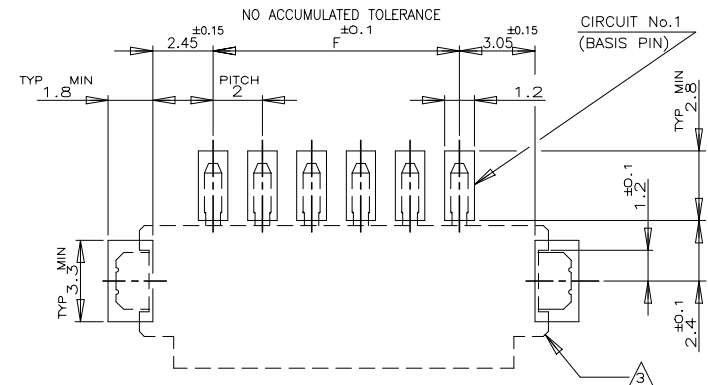
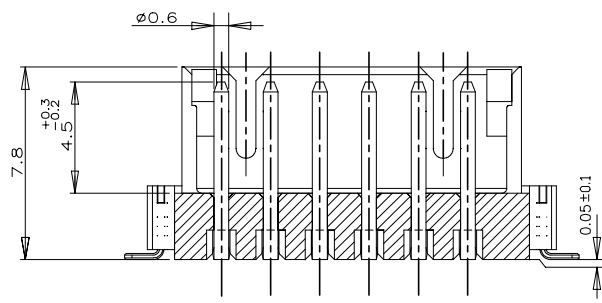


REVISIONS

P	LTR	DESCRIPTION	DATE	DWN	APVD
-	-	SEE SHEET 1	-	-	-

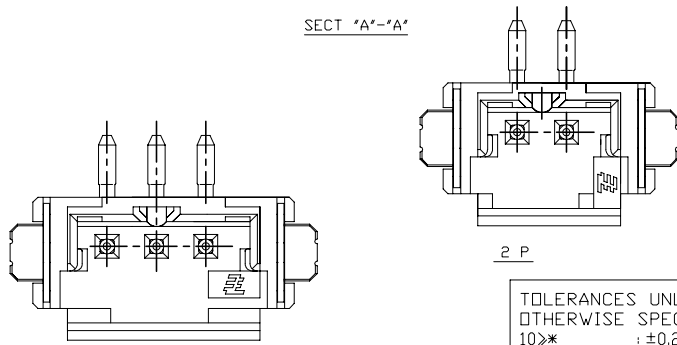


- NOTES:
- MATERIAL:HSG-NYLON (UL94V-0)
COLOR:NATURAL,BLACK
POST:TIN BRASS
TAIL: TIN BRASS
 - △ OCCUPANT AREA ON PC BOARD
 △ TO BE MEASURED WITH CONNECTOR PLACED ON HORIZONTAL DATUM SURFACE, FLOAT OF SOLDER TINE AND TAIL FROM DATUM SURFACE IS 0.1mm MAX



RECOMENOD P.C.BOARD LAYOUT
(P.C.B THK:0.8mm MIN)

16.0	19.8	9	2-292175-9	292175-9
14.0	17.8	8	2- -8	-8
12.0	15.8	7	2- -7	-7
10.0	13.8	6	2- -6	-6
8.0	11.8	5	2- -5	-5
6.0	9.8	4	2- -4	-4
4.0	7.8	3	2- -3	-3
2.0	5.8	2	2-292175-2	292175-2
F	E	POS.	BLACK	NATURAL
P/N				



TOLERANCES UNLESS OTHERWISE SPECIFIED:

10**	: ±0.2
30**>10	: ±0.25
100**>30	: ±0.3
ANGEL	: ±3°

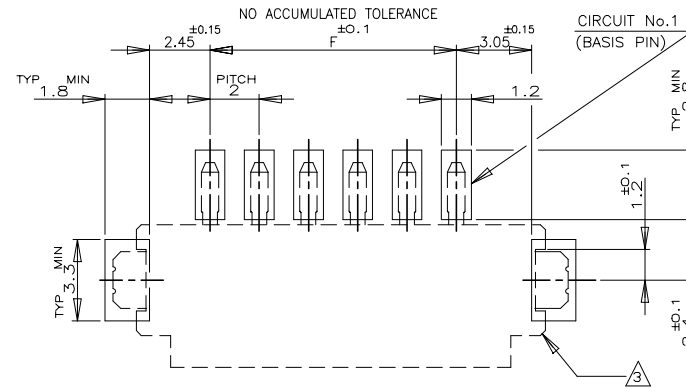
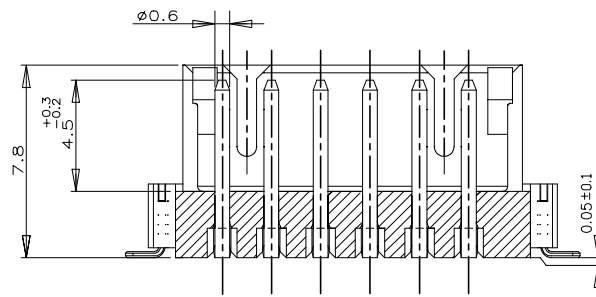
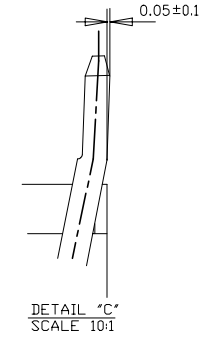
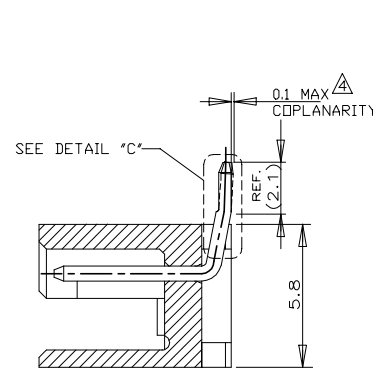
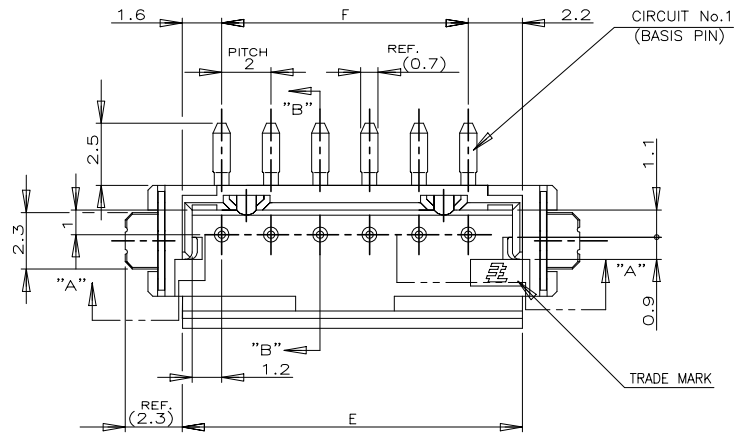
THIS DRAWING IS A CONTROLLED DOCUMENT.		DWN	JACH HOU	19SEP10
DIMENSIONS: mm		CHK	MARTIN LI	19SEP10
TOLERANCES UNLESS OTHERWISE SPECIFIED:		APVD	STEVEN YAO	19SEP10
0 PLC	±	NAME	ON TAPING (EMBOSS)	
1 PLC	±	PRODUCT SPEC	TE CT CONNECTOR POST HEADER ASS'Y	
2 PLC	±	APPLICATION SPEC	(BOX-V SMT W/O BOSS & W/TAI)	
3 PLC	±	WEIGHT	108-60016	
4 PLC	±	CUSTOMER DRAWING	108-60016	
ANGLES	±	SCALE	A3 00779 C-292175	
FINISH	±	SHEET	2 of 3	
MATERIAL		REV	B3	



SIZE	CAGE CODE	DRAWING NO	RESTRICTED TO
A3	00779	C-292175	-
SCALE		SHEET	REV
		2 of 3	B3

REVISIONS

P	LTR	DESCRIPTION	DATE	DWN	APVD
-	-	SEE SHEET 1	-	-	-

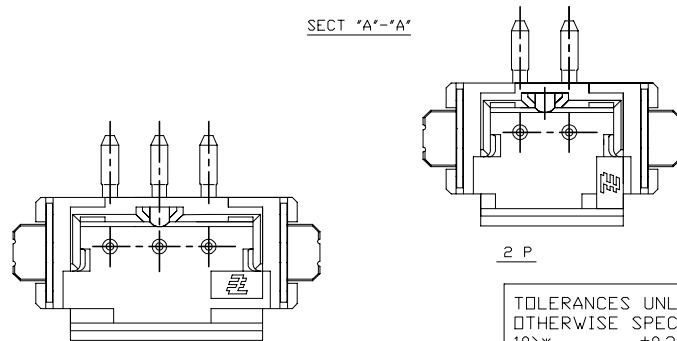


NOTES:

- MATERIAL:HSG-NYLON (UL94V-0)
COLOR:NATURAL, BLACK
POST:TIN BRASS
TAIL: TIN BRASS
- △ OCCUPANT AREA ON PC BOARD
- △ TO BE MEASURED WITH CONNECTOR PLACED ON HORIZONTAL DATUM SURFACE, FLOAT OF SOLDER TINE AND TAIL FROM DATUM SURFACE IS 0.1mm MAX

RECOMENOD P.C.BOARD LAYOUT
(P.C.B THK:0.8mm MIN)

10.0	13.8	6	2-292175-6	292175-6
F	E	POS.	BLACK	NATURAL
P/N				



TOLERANCES UNLESS OTHERWISE SPECIFIED:

10**	: ±0.2
30**>10	: ±0.25
100**>30	: ±0.3
ANGEL	: ±3°

THIS DRAWING IS A CONTROLLED DOCUMENT.

DIMENSIONS:
mm

TOLERANCES UNLESS OTHERWISE SPECIFIED:

0 PLC	±
1 PLC	±
2 PLC	±
3 PLC	±
4 PLC	±
ANGLES	±
FINISH	±

MATERIAL

DWN JACH HOU 19SEP10
CHK MARTIN LI 19SEP10
APVD STEVEN YAO 19SEP10
PRODUCT SPEC
108-60016
APPLICATION SPEC

WEIGHT

CUSTOMER DRAWING

DWN JACH HOU 19SEP10
CHK MARTIN LI 19SEP10
APVD STEVEN YAO 19SEP10
NAME
ON TAPING (EMBOSS)
TE CT CONNECTOR POST HEADER ASS'Y
(BOX-V SMT W/O BOSS & W/TAI)

SIZE A3 CAGE CODE 00779 DRAWING NO. C-292175 RESTRICTED TO

SCALE SHEET 3 of 3 REV B3

X-ON Electronics

Largest Supplier of Electrical and Electronic Components

Click to view similar products for [Headers & Wire Housings](#) category:

Click to view products by [TE Connectivity](#) manufacturer:

Other Similar products are found below :

[892-18-020-10-001101](#) [58102-G61-06LF](#) [582553-1](#) [0009485154](#) [009176003701906](#) [0050291907](#) [LY20-4P-DT1-P1E-BR](#) [02.125.8002.8](#)
[609-3404](#) [61062-3](#) [61082-181009](#) [622-3653LF](#) [63453-116](#) [636-1030](#) [636-1427](#) [636-3427](#) [636-4007](#) [641938-9](#) [641991-4](#) [644827-2](#) [65817-](#)
[010LF](#) [65817-015LF](#) [65863-015LF](#) [66207-023LF](#) [67095-007LF](#) [67601157](#) [68645-018](#) [68648-049](#) [70.362.1628.0](#) [70-4210](#) [70-4226B](#) [70-](#)
[4853B](#) [707-5020](#) [707-5028](#) [71.350.2428.0](#) [71918-208LF](#) [71961-016LF](#) [733-134](#) [733-162](#) [754199-000](#) [760-3052](#) [787-8014-00](#) [79531-3000](#)
[FCN-360C032-B](#) [FCN-367T-T012/H](#) [FCN-723D010/2](#) [80.063.4001.1](#) [800-90-001-10-001000](#) [800-90-010-10-002000](#) [801-43-002-10-013000](#)