

4

3

2

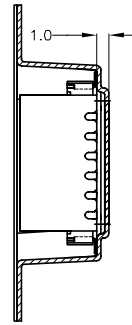
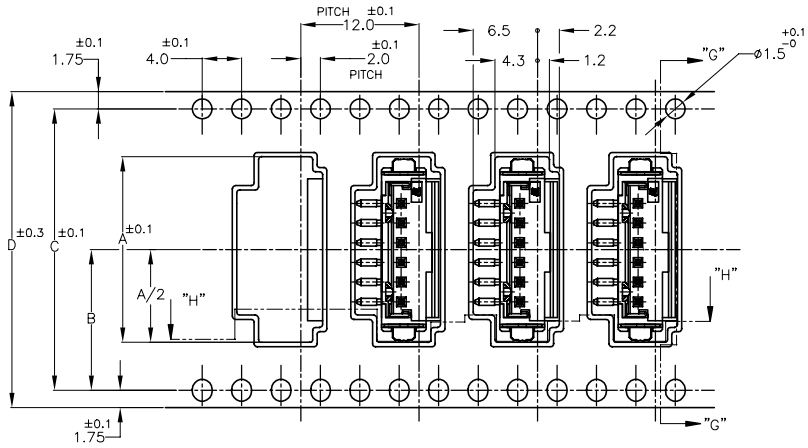
1

© TE Connectivity. All Rights Reserved.

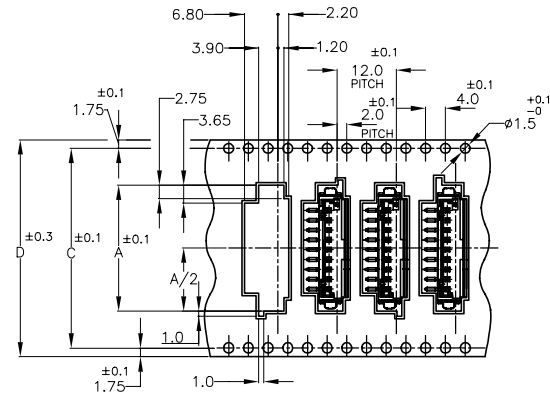
REVISIONS

P	LTR	DESCRIPTION	DATE	DWN	APVD
	B3	ECR-21-101067	06APR2021	T.Q	N.S

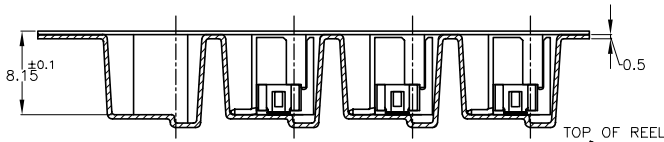
(AS SHOWN : -6)



SECT "G"- "G"



9P ONLY



SECT "H"- "H"

TOP OF REEL

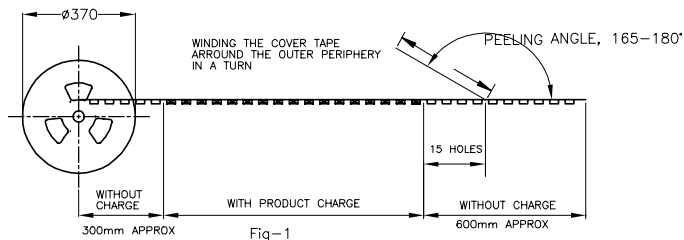


Fig-1

COLOR	PLATE	D	C	B	A	700 QTY/REEL	POS	2-292175-9	
								9	2-
BLACK		44.0	40.50	20.25	25.60		9	2-	-9
		44.0	40.4	20.2	22.9		8	2-	-8
		32.0	28.4	14.2	20.9		7	2-	-7
		32.0	28.4	14.2	18.9		6	2-	-6
		32.0	28.4	14.2	16.9		5	2-	-5
		32.0	28.4	14.2	14.9		4	2-	-4
NATURAL		32.0	28.4	14.2	12.9		3	2-	-3
	WITH	32.0	28.4	14.2	10.9	700	2	2-	2-292175-2
		44.0	40.50	20.25	25.60		9		292175-9
		44.0	40.4	20.2	22.9		8		-8
		32.0	28.4	14.2	20.9		7		-7
		32.0	28.4	14.2	18.9		6		-6
	32.0	28.4	14.2	16.9		5		-5	
	32.0	28.4	14.2	14.9		4		-4	
	32.0	28.4	14.2	12.9		3		-3	
WITH		32.0	28.4	14.2	10.9	700	2		292175-2

- NOTES:
1. PEELING RESISTANCE: 0.196N(20gf)-0.686N(70gf)  
SPEED: 300mm/min

TOLERANCE UNLESS OTHERWISE SPECIFIED

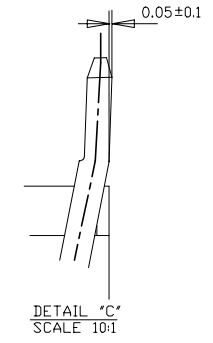
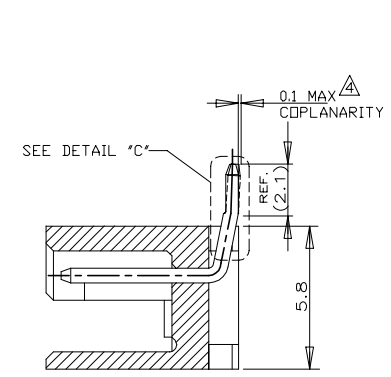
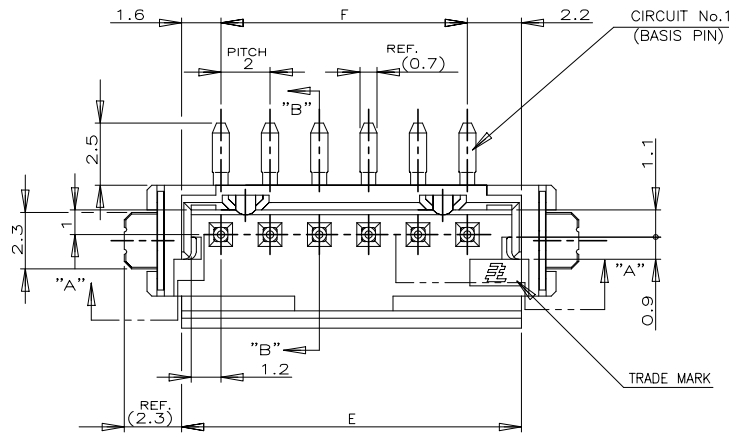
10>* 30>*10 100>*30 ANGLE	±0.2 ±0.25 ±0.3 ±3°
------------------------------------	------------------------------

THIS DRAWING IS A CONTROLLED DOCUMENT.

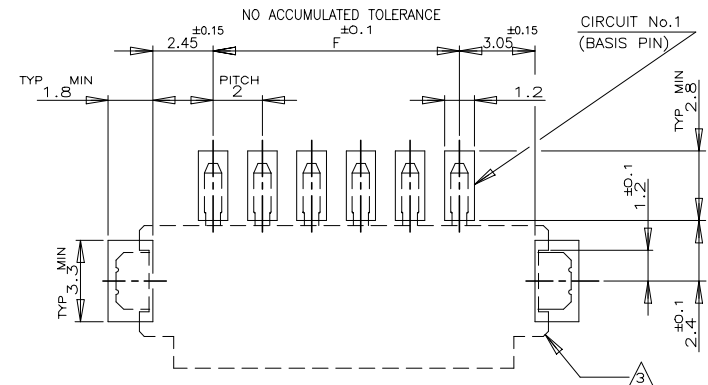
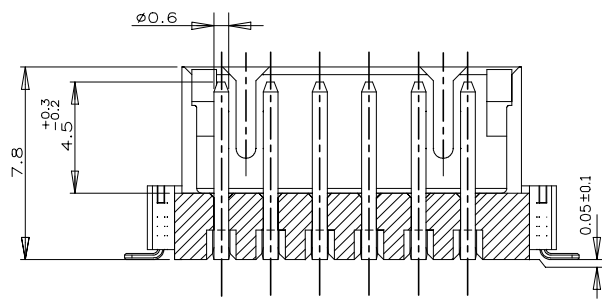
DIMENSIONS: mm	TOLERANCES UNLESS OTHERWISE SPECIFIED:	DWN JACH HOU 19SEP10	TE Connectivity ON TAPING TE CT CONNECTOR POST HEADER ASSY BOX V SMT
	0 PLC ±	CHK MARTIN LI 19SEP10	
	1 PLC ±	APVD STEVEN YAO 19SEP10	
	2 PLC ±	NAME	
MATERIAL	FINISH	PRODUCT SPEC 108-60016	RESTRICTED TO
		APPLICATION SPEC	SIZE A3 CAGE CODE 00779 DRAWING NO C-292175
		WEIGHT	SCALE 1:1 SHEET 1 of 3 REV B3
		CUSTOMER DRAWING	

REVISIONS

P	LTR	DESCRIPTION	DATE	DWN	APVD
-	-	SEE SHEET 1	-	-	-

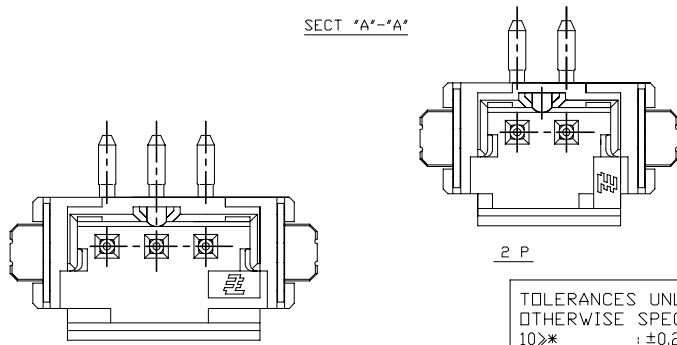


- NOTES:
- MATERIAL:HSG-NYLON (UL94V-0)  
COLOR:NATURAL,BLACK  
POST:TIN BRASS  
TAIL: TIN BRASS
  - △ OCCUPANT AREA ON PC BOARD  
△ TO BE MEASURED WITH CONNECTOR PLACED ON HORIZONTAL DATUM SURFACE, FLOAT OF SOLDER TINE AND TAIL FROM DATUM SURFACE IS 0.1mm MAX



RECOMENOD P.C.BOARD LAYOUT  
(P.C.B THK:0.8mm MIN)

16.0	19.8	9	2-292175-9	292175-9
14.0	17.8	8	2- -8	-8
12.0	15.8	7	2- -7	-7
10.0	13.8	6	2- -6	-6
8.0	11.8	5	2- -5	-5
6.0	9.8	4	2- -4	-4
4.0	7.8	3	2- -3	-3
2.0	5.8	2	2-292175-2	292175-2
F	E	POS.	BLACK	NATURAL
P/N				



TOLERANCES UNLESS OTHERWISE SPECIFIED:

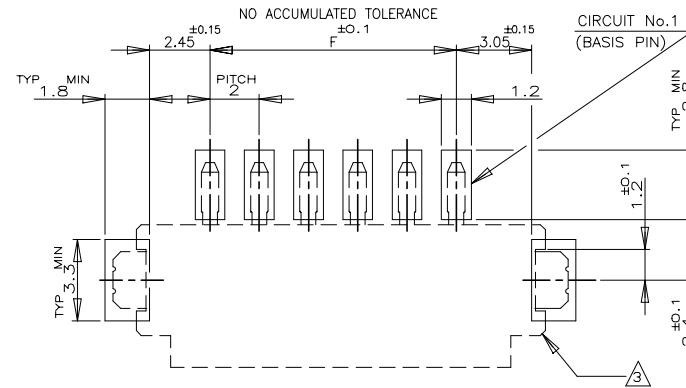
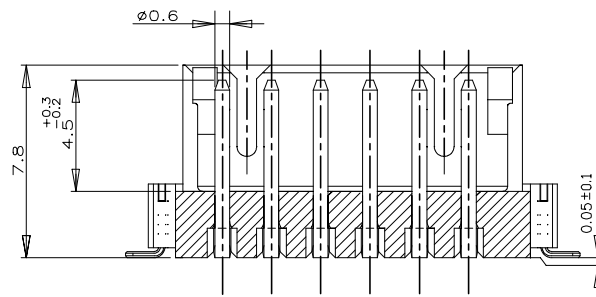
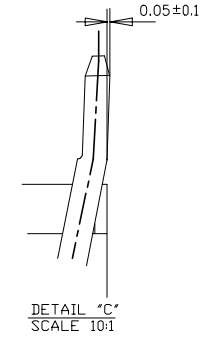
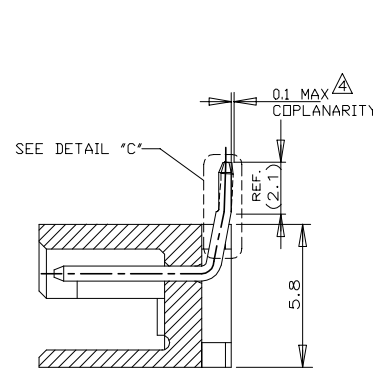
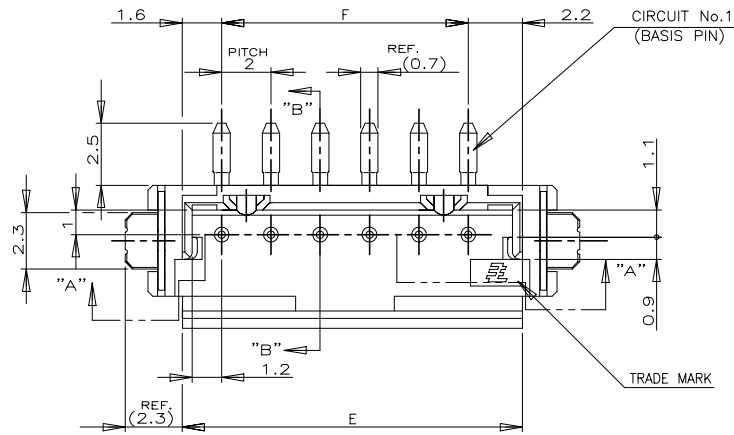
10**	: ±0.2
30**>10	: ±0.25
100**>30	: ±0.3
ANGEL	: ±3°

THIS DRAWING IS A CONTROLLED DOCUMENT.		DWN	JACH HOU	19SEP10
DIMENSIONS:		CHK	MARTIN LI	19SEP10
mm	TOLERANCES UNLESS OTHERWISE SPECIFIED:	APVD	STEVEN YAO	19SEP10
0 PLC	±	NAME	ON TAPING (EMBOSS)	
1 PLC	±	PRODUCT SPEC	TE CT CONNECTOR POST HEADER ASS'Y	
2 PLC	±	APPLICATION SPEC	(BOX-V SMT W/O BOSS & W/TAI)	
3 PLC	±	WEIGHT	SIZE	A3
4 PLC	±	CUSTOMER DRAWING	CAGE CODE	00779
ANGLES	±	SCALE	DRAWING NO	C-292175
FINISH	±	SHEET	RESTRICTED TO	-
		SCALE		2 of 3
		SHEET		REV B3



REVISIONS

P	LTR	DESCRIPTION	DATE	DWN	APVD
-	-	SEE SHEET 1	-	-	-

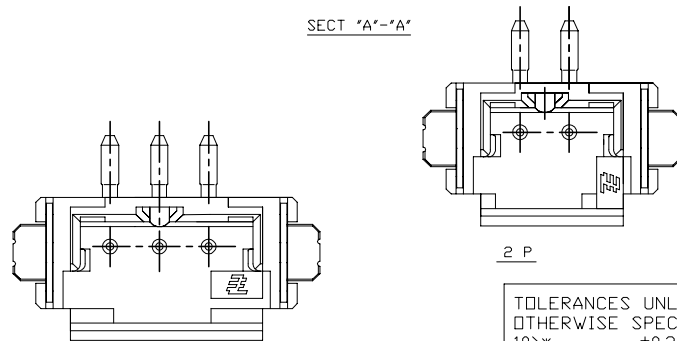


NOTES:

- MATERIAL:HSG-NYLON (UL94V-0)  
COLOR:NATURAL, BLACK  
POST:TIN BRASS  
TAIL: TIN BRASS
- △ OCCUPANT AREA ON PC BOARD
- △ TO BE MEASURED WITH CONNECTOR PLACED ON HORIZONTAL DATUM SURFACE, FLOAT OF SOLDER TINE AND TAIL FROM DATUM SURFACE IS 0.1mm MAX

RECOMENGD P.C.BOARD LAYOUT  
(P.C.B THK:0.8mm MIN)

10.0	13.8	6	2-292175-6	292175-6
F	E	POS.	BLACK	NATURAL
P/N				



TOLERANCES UNLESS OTHERWISE SPECIFIED:

10**	: ±0.2
30**>10	: ±0.25
100**>30	: ±0.3
ANGEL	: ±3°

THIS DRAWING IS A CONTROLLED DOCUMENT.

DIMENSIONS:  
mm

TOLERANCES UNLESS OTHERWISE SPECIFIED:

0 PLC	±
1 PLC	±
2 PLC	±
3 PLC	±
4 PLC	±
ANGLES	±
FINISH	±

MATERIAL

DWN JACH HOU 19SEP10  
CHK MARTIN LI 19SEP10  
APVD STEVEN YAO 19SEP10  
PRODUCT SPEC  
108-60016  
APPLICATION SPEC

TE Connectivity

ON TAPING (EMBOSS)  
TE CT CONNECTOR POST HEADER ASS'Y  
(BOX-V SMT W/O BOSS & W/TAI)

SIZE	CAGE CODE	DRAWING NO	RESTRICTED TO
A3	00779	C-292175	-

WEIGHT

CUSTOMER DRAWING

SCALE SHEET 3 of 3 REV B3

## X-ON Electronics

Largest Supplier of Electrical and Electronic Components

*Click to view similar products for [Headers & Wire Housings](#) category:*

*Click to view products by [TE Connectivity](#) manufacturer:*

Other Similar products are found below :

[892-18-020-10-001101](#) [58102-G61-06LF](#) [582553-1](#) [0009485154](#) [009176003701906](#) [0050291907](#) [LY20-4P-DT1-P1E-BR](#) [02.125.8002.8](#)  
[609-3404](#) [61062-3](#) [61082-181009](#) [622-3653LF](#) [63453-116](#) [636-1030](#) [636-1427](#) [636-3427](#) [636-4007](#) [641938-9](#) [641991-4](#) [644827-2](#) [65817-010LF](#) [65817-015LF](#) [65863-015LF](#) [66207-023LF](#) [67095-007LF](#) [67601157](#) [68645-018](#) [68648-049](#) [70.362.1628.0](#) [70-4210](#) [70-4226B](#) [70-4853B](#) [707-5020](#) [707-5028](#) [71.350.2428.0](#) [71918-208LF](#) [71961-016LF](#) [733-134](#) [733-162](#) [754199-000](#) [760-3052](#) [787-8014-00](#) [79531-3000](#)  
[FCN-360C032-B](#) [FCN-367T-T012/H](#) [FCN-723D010/2](#) [80.063.4001.1](#) [800-90-001-10-001000](#) [800-90-010-10-002000](#) [801-43-002-10-013000](#)