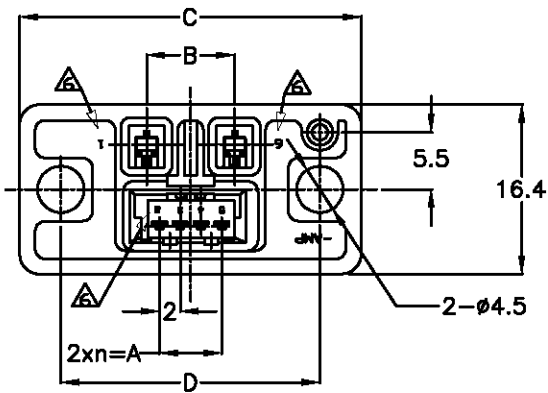
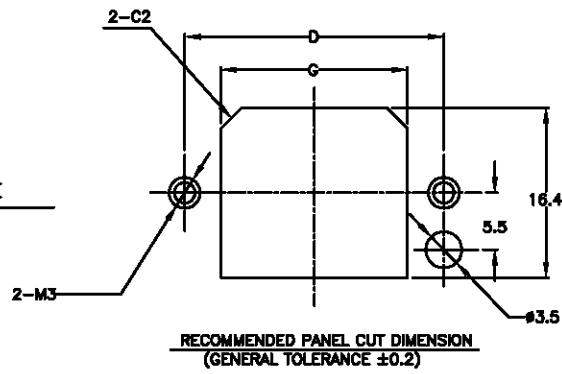
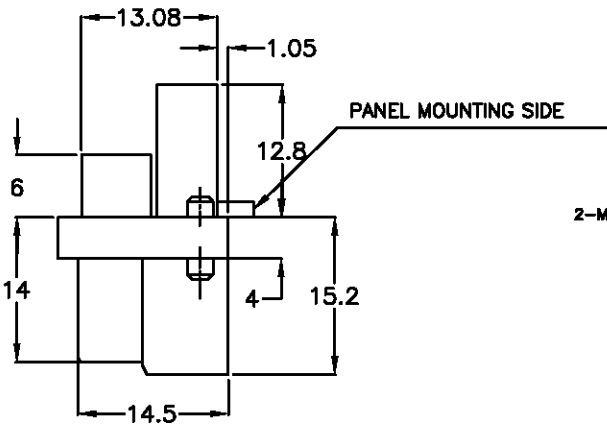
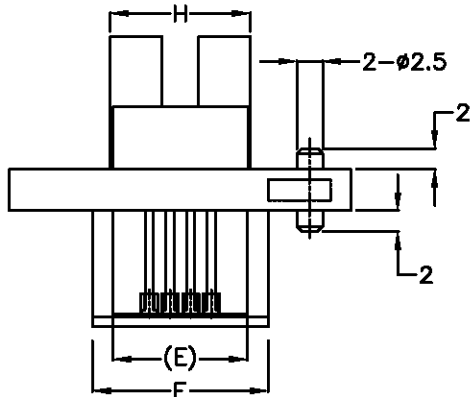


THIS DRAWING IS UNPUBLISHED. RELEASED FOR PUBLICATION  
 © COPYRIGHT BY TYCO ELECTRONICS CORPORATION. ALL RIGHTS RESERVED.

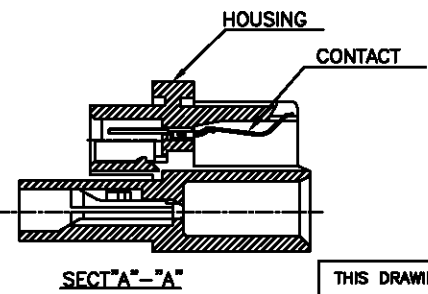
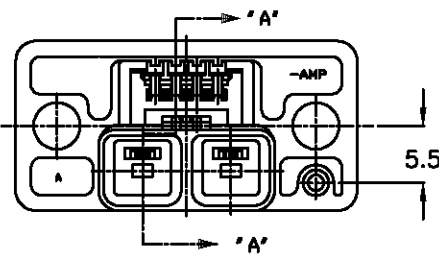
LOC	DIST	REVISIONS			
P	LTR	DESCRIPTION	DATE	DWN	APVD
ES	00	A	REVISED FB00-0217-04	16DEC04	H.H I.E



- NOTES:
- △ MATERIAL: HOUSING: THERMOPLASTIC, COLOR: BLACK 94V-0  
 CONTACT: COPPER ALLOY  
 FINISH: MATING SIDE: PLATE NICKEL OVERALL PLATE COLD  
 CT SIDE: PLATE NICKEL ALL OVER MATTE TIN PL.
  - 2. USE UP CONTACT 175149-X, 175150-X
  - 3. RECOMMENDED PANEL CUT DIMENSION



- 4. MATING CONN: 292184-1
- 5. USE CT REC. CONN: 173977-X(MT CONN), 175778-X(CRIMP HSG)  
 175102-X & 175161-X (CRIMP CONTACT)
- △ CIRCUIT NO: SEE TABLE



1,2,3,4,5,6	13.5	18	17	13	25	33	8.5	6	3	6	292180-1
△ CIRCUIT NO	H	G	F	E	D	C	B	A	n	Pos.	PART NUMBER

TOLERANCES UNLESS OTHERWISE SPECIFIED		THIS DRAWING IS A CONTROLLED DOCUMENT.		DWN J. JIANG		Tyco Electronics Corporation	
10> : ±0.2	30>>10 : ±0.25	DIMENSIONS: MM		CHK S. YAO		Shanghai, P.R.China, 200233	
100>>30 : ±0.3	ANGLE : ±3°	TOLERANCES UNLESS OTHERWISE SPECIFIED:		APVD T. SASAKI		NAME	
		0 PLC ±0.15		PRODUCT SPEC		CAP ASS'Y WITHOUT COMMONING TAB	
		1 PLC ±0.15		APPLICATION SPEC		FOR HYBRID MINI-DRAWER CONNECTOR	
		2 PLC ±0.15		108-60022		SIZE	
		3 PLC ±0.15		WEIGHT		CAGE CODE	
		4 PLC ±0.15		CUSTOMER DRAWING		DRAWING NO	
		ANGLE ±1°		SCALE 2:1		SHEET 1 OF 1	
		MATERIAL SEE NOTES △		RESTRICTED TO		REV A	
		FINISH SEE NOTES △		A3 00779		C=292180	

## X-ON Electronics

Largest Supplier of Electrical and Electronic Components

*Click to view similar products for [Heavy Duty Power Connectors](#) category:*

*Click to view products by [TE Connectivity](#) manufacturer:*

Other Similar products are found below :

[647757-1](#) [6643411-1](#) [6646058-2](#) [6646137-1](#) [6646138-1](#) [6646479-1](#) [6646608-1](#) [6646786-1](#) [6646940-1](#) [6651091-1](#) [6651525-1](#) [6651529-1](#)  
[6651788-1](#) [696475-1](#) [702-32-01109](#) [703-25-02205](#) [73000005059](#) [73000005642](#) [73080255059](#) [73080965046](#) [765-15-0080A](#) [765-16-0080B](#)  
[765-18-0080D](#) [829992-1](#) [902-77-02113](#) [PS00/A0620/6300](#) [PS25/A0420/63](#) [129-1J](#) [1409400](#) [AN0024023](#) [E6374G1](#) [e6389g2](#) [157-43GW8](#)  
[MS3117-14AC](#) [1643543-1](#) [1650540-1](#) [1651811-2](#) [1766260-1](#) [1766282-1](#) [1766966-1](#) [1791340000](#) [NLDFT-3-BL-L-S120-M40A](#) [NLDFT-N-](#)  
[W-L-C240-M40B](#) [NLS-2-R-C240-M40B](#) [NLS-N-W-C240-M40B](#) [NPS-3-BL-T6](#) [1986615-1](#) [2-1589900-8](#) [2199314-1](#) [KA8102](#)