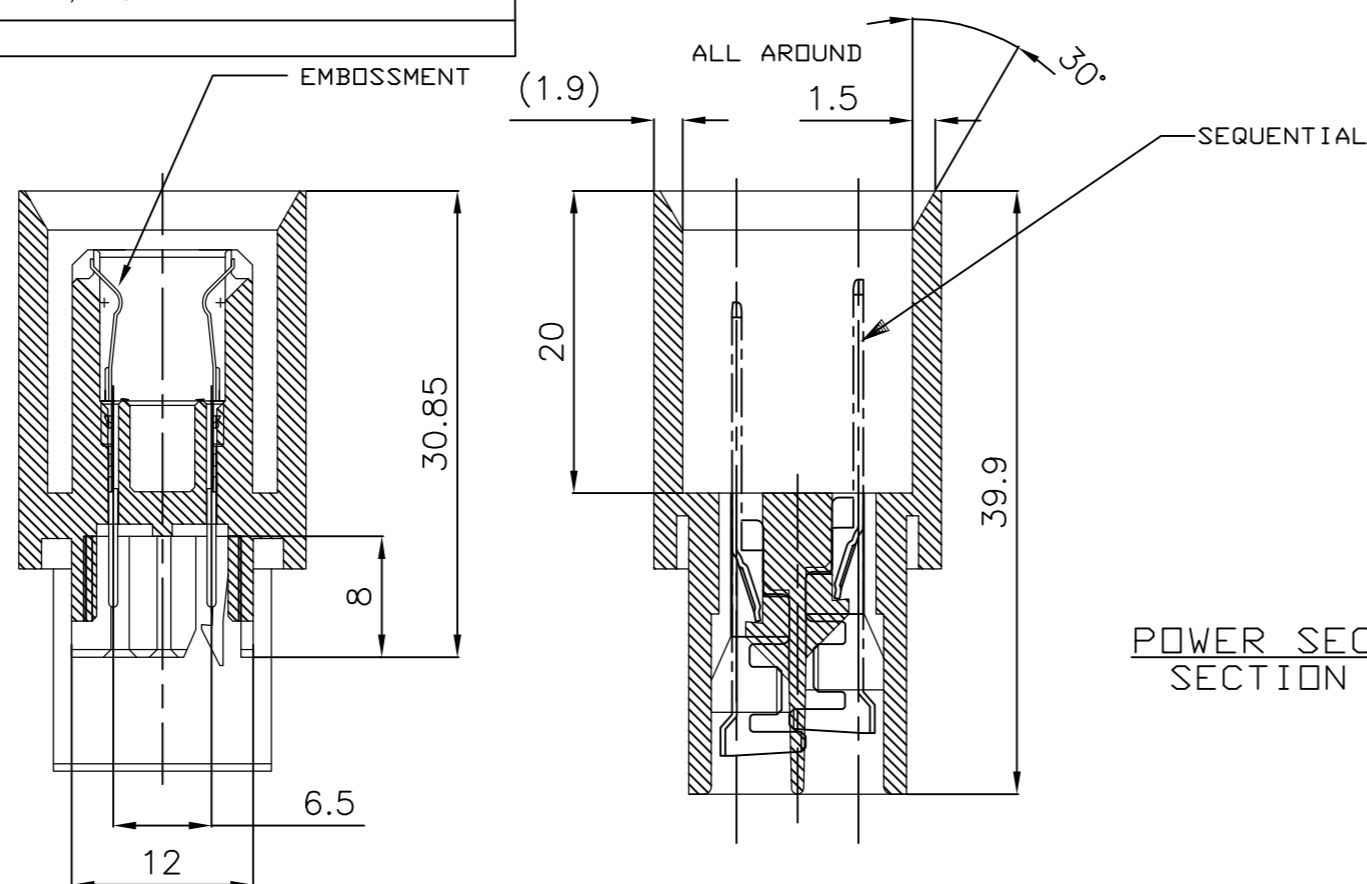


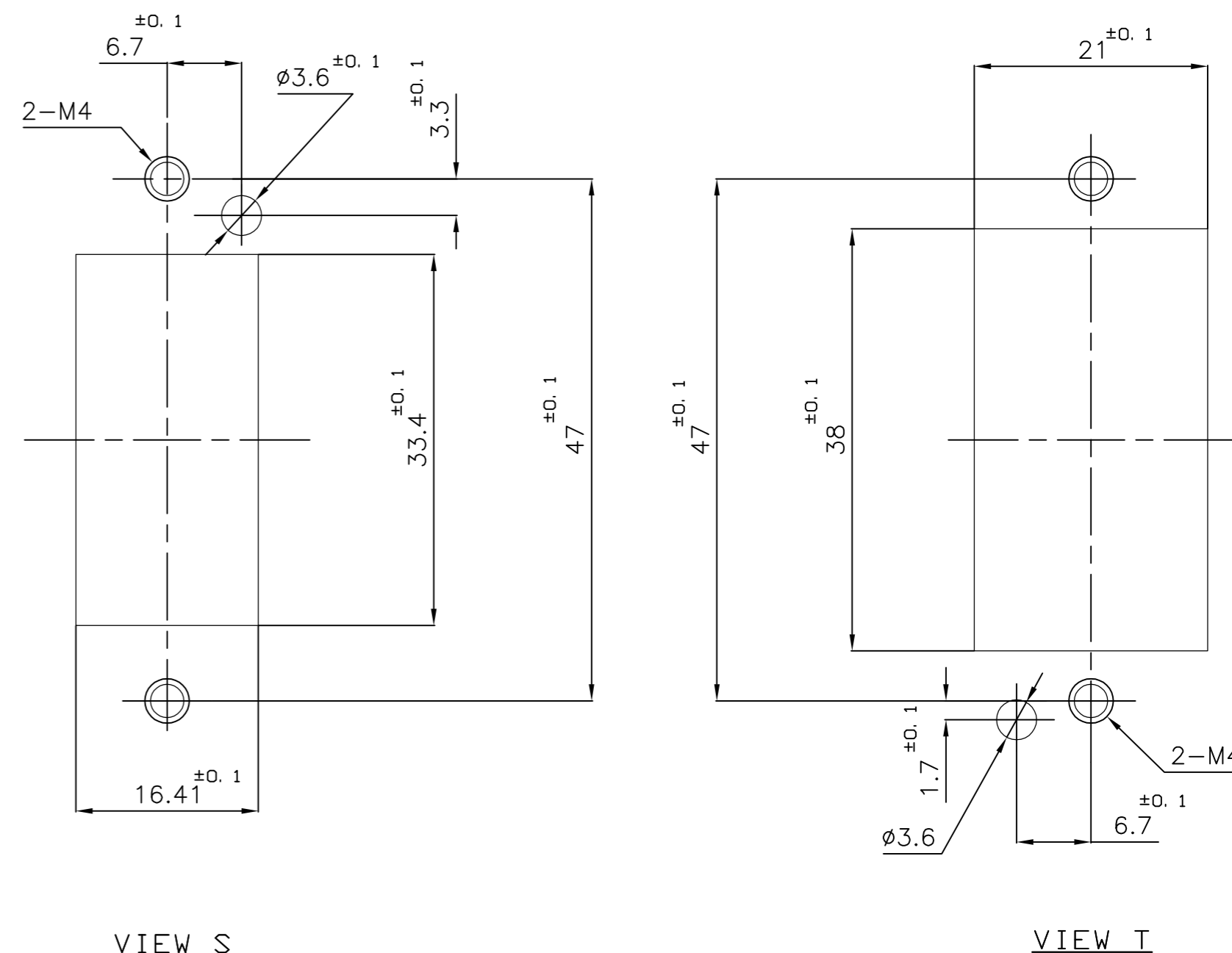
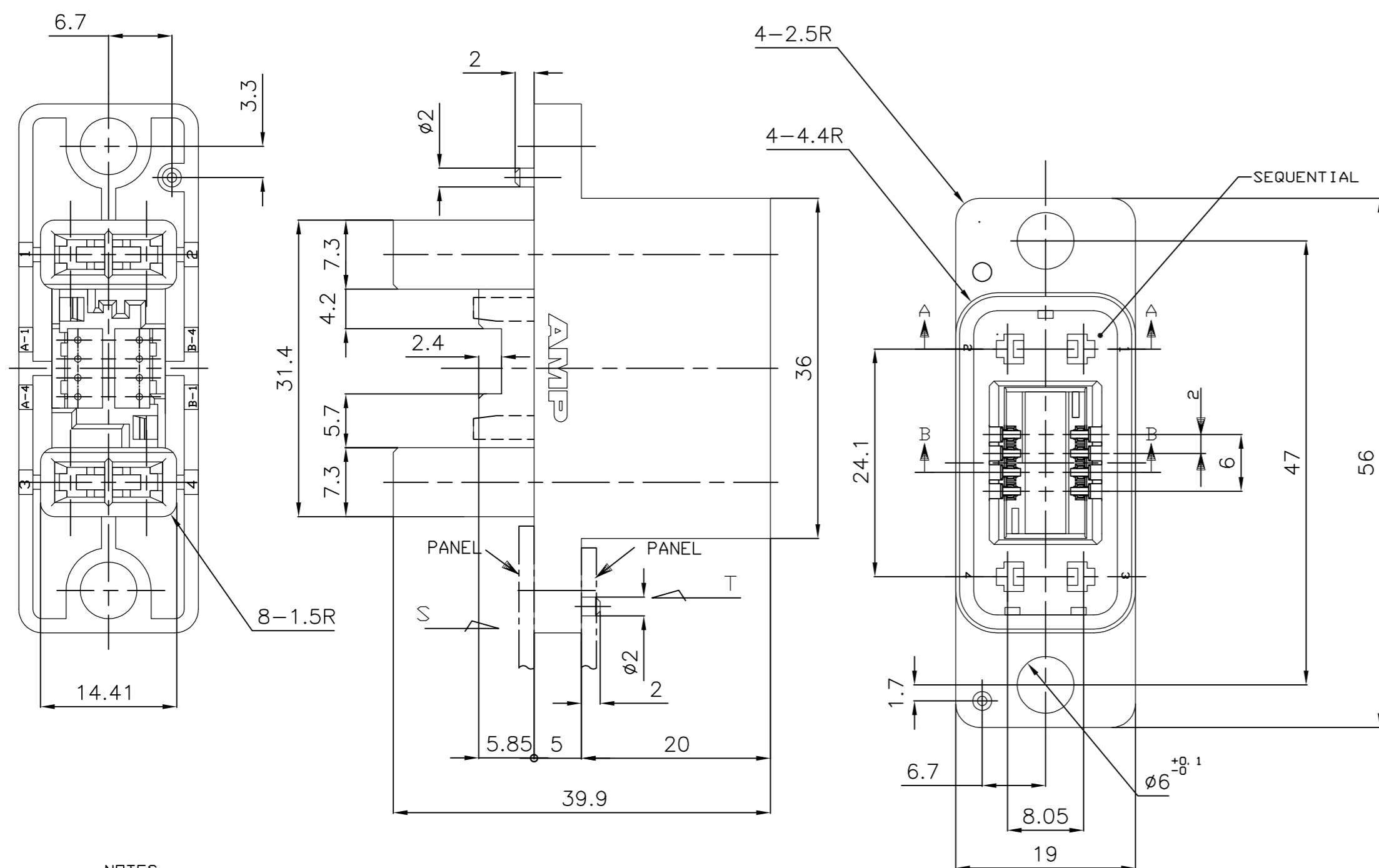
THIS DRAWING IS UNPUBLISHED. RELEASED FOR PUBLICATION  
 © COPYRIGHT BY TYCO ELECTRONICS CORPORATION. ALL RIGHTS RESERVED.

LOC		DIST		REVISIONS				
ES	00	P	LTR	DESCRIPTION	DATE	DWN	APVD	
		A		REVISED ECR-17-016956	17NOV17	J.J	W.H	

SIGNAL SECTION  
SECTION B-B



PANEL CUT DIMENSIONS



NOTES

- MATERIAL  
HOUSING: THERMO PLASTIC  
CONTACT: COPPER ALLOY
- CONTACT FINISH  
MATING SIDE: NICKEL PL. ALL OVER GOLD PL.  
CT MATING SIDE: NICKEL PL. ALL OVER MATTE TIN PL.
- APPLIED POWER CONTACT P/N

FINISH	AWG	STRIP	LOOSE PIECE
GOLD PL.	#16~20	179321-3	
	#20~24	179322-3	
TIN PL.	#16~20	1-179321-2	
	#20~24	1-179322-2	

- △ P: NUMBER OF POWER CONTACT (UNLOADED)  
 S: NUMBER OF SIGNAL CONTACT (PRELOADED)

TOLERANCE UNLESS OTHERWISE SPECIFIED	
10>*	:±0.2
30>*>10	:±0.25
100>*>30	:±0.3
ANGLE	:±3'

THIS DRAWING IS A CONTROLLED DOCUMENT.	
DIMENSIONS: MM	TOLERANCES UNLESS OTHERWISE SPECIFIED
0 PLC ±	1 PLC ±
1 PLC ±	2 PLC ±
2 PLC ±	3 PLC ±
3 PLC ±	4 PLC ±
4 PLC ±	ANGLES ±
MATERIAL SEE NOTE	FINISH SEE NOTE

DWN J.JIANG 05FEB03	tyco Tyco Electronics Corporation	
CHK S.YAO 05FEB03	Shanghai, P.R.China,200233	
APVD T.SASAKI 05FEB03	NAME	
PRODUCT SPEC 108-60022	HYBRID MINI DRAWER CONN. PLUG ASS'Y 4-8(12P) WITH SEQUENTIAL	
APPLICATION SPEC 114-5182	SIZE A2	CAGE CODE 00779
114-5238	DRAWING NO C=292182	RESTRICTED TO
WEIGHT	SCALE NTS	SHEET 1 OF 1
CUSTOMER DRAWING		REV A1

## X-ON Electronics

Largest Supplier of Electrical and Electronic Components

*Click to view similar products for [Heavy Duty Power Connectors](#) category:*

*Click to view products by [TE Connectivity](#) manufacturer:*

Other Similar products are found below :

[647757-1](#) [6643411-1](#) [6646058-2](#) [6646137-1](#) [6646138-1](#) [6646479-1](#) [6646608-1](#) [6646786-1](#) [6646940-1](#) [6651091-1](#) [6651525-1](#) [6651529-1](#)  
[6651788-1](#) [696475-1](#) [702-32-01109](#) [703-25-02205](#) [73000005059](#) [73000005642](#) [73080255059](#) [73080965046](#) [765-15-0080A](#) [765-16-0080B](#)  
[765-18-0080D](#) [829992-1](#) [902-77-02113](#) [PS00/A0620/6300](#) [PS25/A0420/63](#) [129-1J](#) [1409400](#) [AN0024023](#) [E6374G1](#) [e6389g2](#) [157-43GW8](#)  
[MS3117-14AC](#) [1643543-1](#) [1650540-1](#) [1651811-2](#) [1766260-1](#) [1766282-1](#) [1766966-1](#) [1791340000](#) [NLDFT-3-BL-L-S120-M40A](#) [NLDFT-N-](#)  
[W-L-C240-M40B](#) [NLS-2-R-C240-M40B](#) [NLS-N-W-C240-M40B](#) [NPS-3-BL-T6](#) [1986615-1](#) [2-1589900-8](#) [2199314-1](#) [KA8102](#)