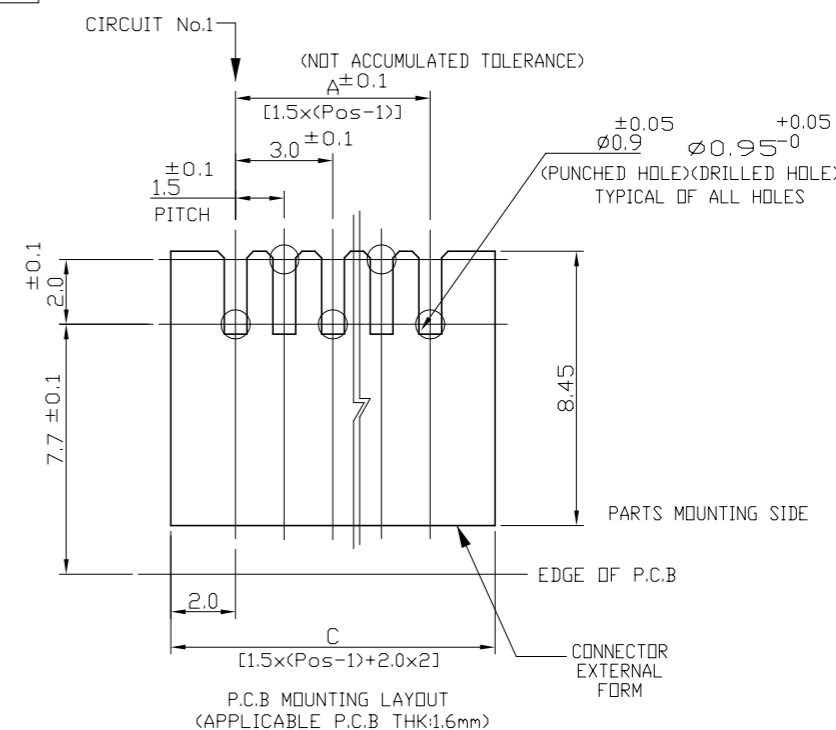
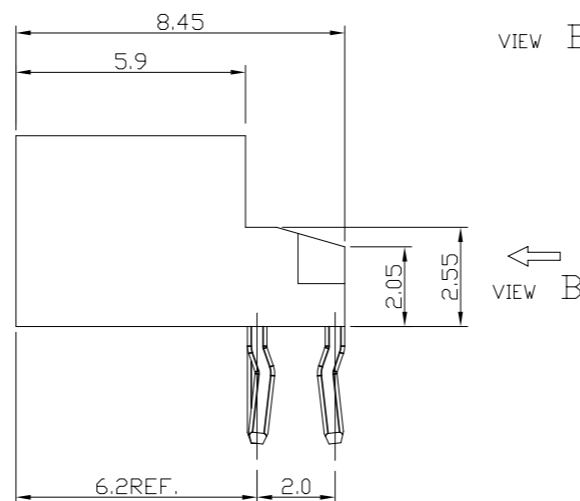
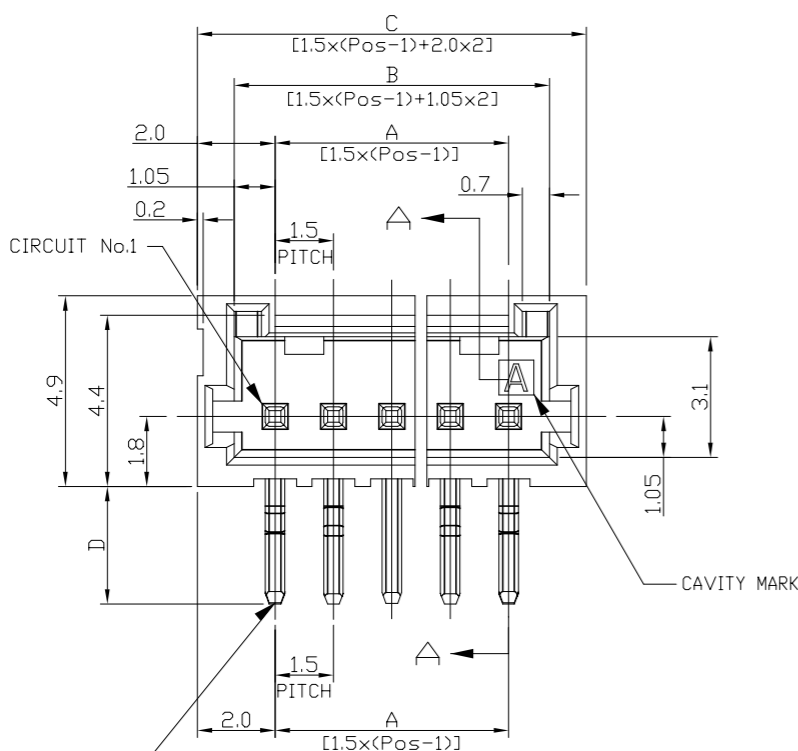
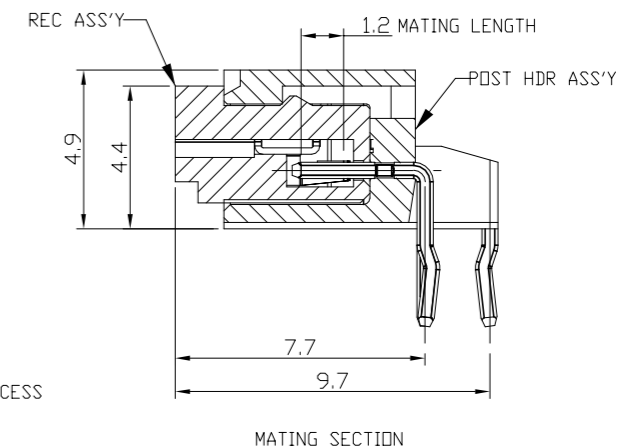
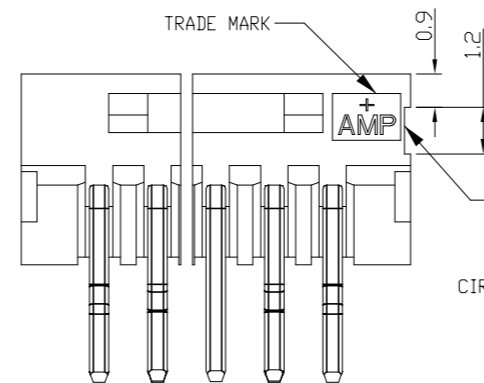
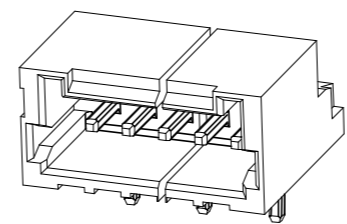
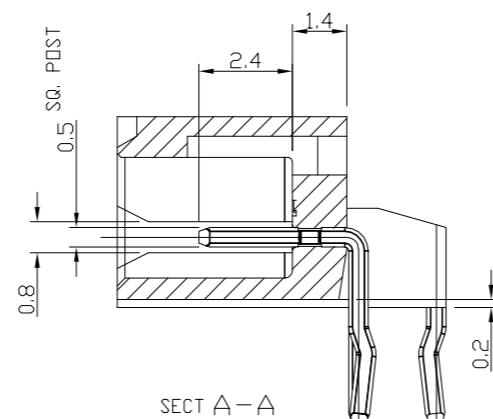
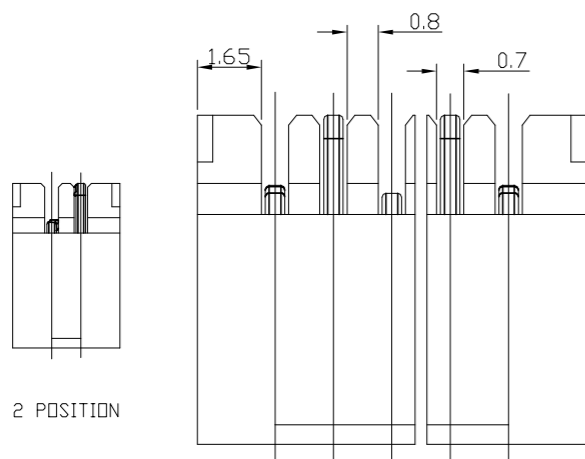


| P | LTR | DESCRIPTION | DATE | DWN | APVD |
|---|-----|---------------|-----------|-----|------|
| | B1 | ECR-20-004164 | 29MAR2020 | T.Q | W.H |



KINKING FORMING
BOTH SIDE EACH 2 PLACES
TOTAL: 4 PLACES

NOTES:

1.MATERIAL:
HOUSING:NYLON(G.F.) UL94V-0,COLOR:GRAY,BLUE
POST:PRE-TIN 0.5mm SQ. BRASS WIRE

TOLERANCES UNLESS
OTHERWISE SPECIFIED:

10 > * : ±0.2
30 > * >10 : ±0.25
100 > * >30 : ±0.3
ANGLE : ±3°

THIS DRAWING IS A CONTROLLED DOCUMENT.

| | |
|------------------------|---|
| DIMENSIONS: mm | TOLERANCES UNLESS OTHERWISE SPECIFIED: |
| | 0 PLC ± - |
| | 1 PLC ± - |
| | 2 PLC ± - |
| | 3 PLC ± - |
| | 4 PLC ± - |
| | ANGLES ± - |
| MATERIAL SEE NOTE 1 | FINISH SEE NOTE 1 |

| | |
|------------------------------|---------|
| DWN S.YAO | 06DEC02 |
| CHK T.SASAKI | 31JAN03 |
| APVD T.SASAKI | 31JAN03 |
| PRODUCT SPEC 108-60018 | |
| APPLICATION SPEC 114-5223 | |
| WEIGHT SEE TABLE | |
| CUSTOMER DRAWING | |




| | | | |
|---|--------------------|------------------------|--------------------|
| NAME AMP Mini CT Connector 1.5mm Pitch Single Row HDR with Kink DIP Staggered Type | | | |
| SIZE A3 | CAGE CODE 00779 | DRAWING NO C=292206 | RESTRICTED TO - |
| SCALE NON | SHEET 1 of 2 | REV B1 | |

© - TE Connectivity. All Rights Reserved.

| REVISIONS | | | | | |
|-----------|-----|-------------|------|-----|------|
| P | LTR | DESCRIPTION | DATE | OWN | APVD |
| - | - | SEE SHEET 1 | - | - | - |

| | | | | | | | | |
|------------|------------|------|------|------|------|------------|------------|------------|
| 0.28 | 2.5 | 8.5 | 6.6 | 4.5 | 4 | | | 9-292206-4 |
| 0.23 | 2.5 | 7.0 | 5.1 | 3.0 | 3 | | | 9-292206-3 |
| 1.11 | 3.0 | 32.5 | 30.6 | 28.5 | 20 | 7-292206-0 | 4-292206-0 | 2-292206-0 |
| 1.06 | 3.0 | 31.0 | 29.1 | 27.0 | 19 | 6-292206-9 | 3-292206-9 | 1-292206-9 |
| 1.01 | 3.0 | 29.5 | 27.6 | 25.5 | 18 | 6-292206-8 | 3-292206-8 | 1-292206-8 |
| 0.96 | 3.0 | 28.0 | 26.1 | 24.0 | 17 | 6-292206-7 | 3-292206-7 | 1-292206-7 |
| 0.91 | 3.0 | 26.5 | 24.6 | 22.5 | 16 | 6-292206-6 | 3-292206-6 | 1-292206-6 |
| 0.86 | 3.0 | 25.0 | 23.1 | 21.0 | 15 | 6-292206-5 | 3-292206-5 | 1-292206-5 |
| 0.81 | 3.0 | 23.5 | 21.6 | 19.5 | 14 | 6-292206-4 | 3-292206-4 | 1-292206-4 |
| 0.75 | 3.0 | 22.0 | 20.1 | 18.0 | 13 | 6-292206-3 | 3-292206-3 | 1-292206-3 |
| 0.70 | 3.0 | 20.5 | 18.6 | 16.5 | 12 | 6-292206-2 | 3-292206-2 | 1-292206-2 |
| 0.65 | 3.0 | 19.0 | 17.1 | 15.0 | 11 | 6-292206-1 | 3-292206-1 | 1-292206-1 |
| 0.60 | 3.0 | 17.5 | 15.6 | 13.5 | 10 | 6-292206-0 | 3-292206-0 | 1-292206-0 |
| 0.54 | 3.0 | 16.0 | 14.1 | 12.0 | 9 | 5-292206-9 | 2-292206-9 | 292206-9 |
| 0.49 | 3.0 | 14.5 | 12.6 | 10.5 | 8 | 5-292206-8 | 2-292206-8 | 292206-8 |
| 0.44 | 3.0 | 13.0 | 11.1 | 9.0 | 7 | 5-292206-7 | 2-292206-7 | 292206-7 |
| 0.40 | 3.0 | 11.5 | 9.6 | 7.5 | 6 | 5-292206-6 | 2-292206-6 | 292206-6 |
| 0.34 | 3.0 | 10.0 | 8.1 | 6.0 | 5 | 5-292206-5 | 2-292206-5 | 292206-5 |
| 0.29 | 3.0 | 8.5 | 6.6 | 4.5 | 4 | 5-292206-4 | 2-292206-4 | 292206-4 |
| 0.24 | 3.0 | 7.0 | 5.1 | 3.0 | 3 | 5-292206-3 | 2-292206-3 | 292206-3 |
| 0.19 | 3.0 | 5.5 | 3.6 | 1.5 | 2 | 5-292206-2 | 2-292206-2 | 292206-2 |
| WEIGHT (g) | D | C | B | A | Pos. | BLUE | BLACK | GRAY |
| | DIMENSIONS | | | | | PART NO | | |

| | | | | | |
|---|--|---------------------------|---------------------|---|--------------------|
| THIS DRAWING IS A CONTROLLED DOCUMENT. | | DWN S.YAO | 06DEC02 |  | |
| DIMENSIONS: mm | | CHK T.SASAKI | 31JAN03 | | |
| TOLERANCES UNLESS OTHERWISE SPECIFIED: | | APVD T.SASAKI | 31JAN03 | NAME AMP Mini CT Connector 1.5mm Pitch Single Row HDR with Kink DIP Staggered Type | |
| 0 PLC ± - 1 PLC ± - 2 PLC ± - 3 PLC ± - 4 PLC ± - ANGLES ± - | | PRODUCT SPEC 108-60018 | SIZE 114-5223 | | RESTRICTED TO - |
| MATERIAL SEE NOTE 1 | | FINISH SEE NOTE 1 | WEIGHT SEE TABLE | A300779 | C-292206 |
| CUSTOMER DRAWING | | | SCALE NON | SHEET 2 OF 2 | REV B1 |

X-ON Electronics

Largest Supplier of Electrical and Electronic Components

Click to view similar products for [Headers & Wire Housings](#) category:

Click to view products by [TE Connectivity](#) manufacturer:

Other Similar products are found below :

[892-18-020-10-001101](#) [58102-G61-06LF](#) [582553-1](#) [0009485154](#) [009176003701906](#) [0050291907](#) [LY20-4P-DT1-P1E-BR](#) [02.125.8002.8](#)
[609-3404](#) [61062-3](#) [61082-181009](#) [622-3653LF](#) [63453-116](#) [636-1030](#) [636-1427](#) [636-3427](#) [636-4007](#) [641938-9](#) [641991-4](#) [644827-2](#) [65817-](#)
[010LF](#) [65817-015LF](#) [65863-015LF](#) [66207-023LF](#) [67095-007LF](#) [67601157](#) [68645-018](#) [68648-049](#) [70.362.1628.0](#) [70-4210](#) [70-4226B](#) [70-](#)
[4853B](#) [707-5020](#) [707-5028](#) [71.350.2428.0](#) [71918-208LF](#) [71961-016LF](#) [733-134](#) [733-162](#) [754199-000](#) [760-3052](#) [787-8014-00](#) [79531-3000](#)
[FCN-360C032-B](#) [FCN-367T-T012/H](#) [FCN-723D010/2](#) [80.063.4001.1](#) [800-90-001-10-001000](#) [800-90-010-10-002000](#) [801-43-002-10-013000](#)