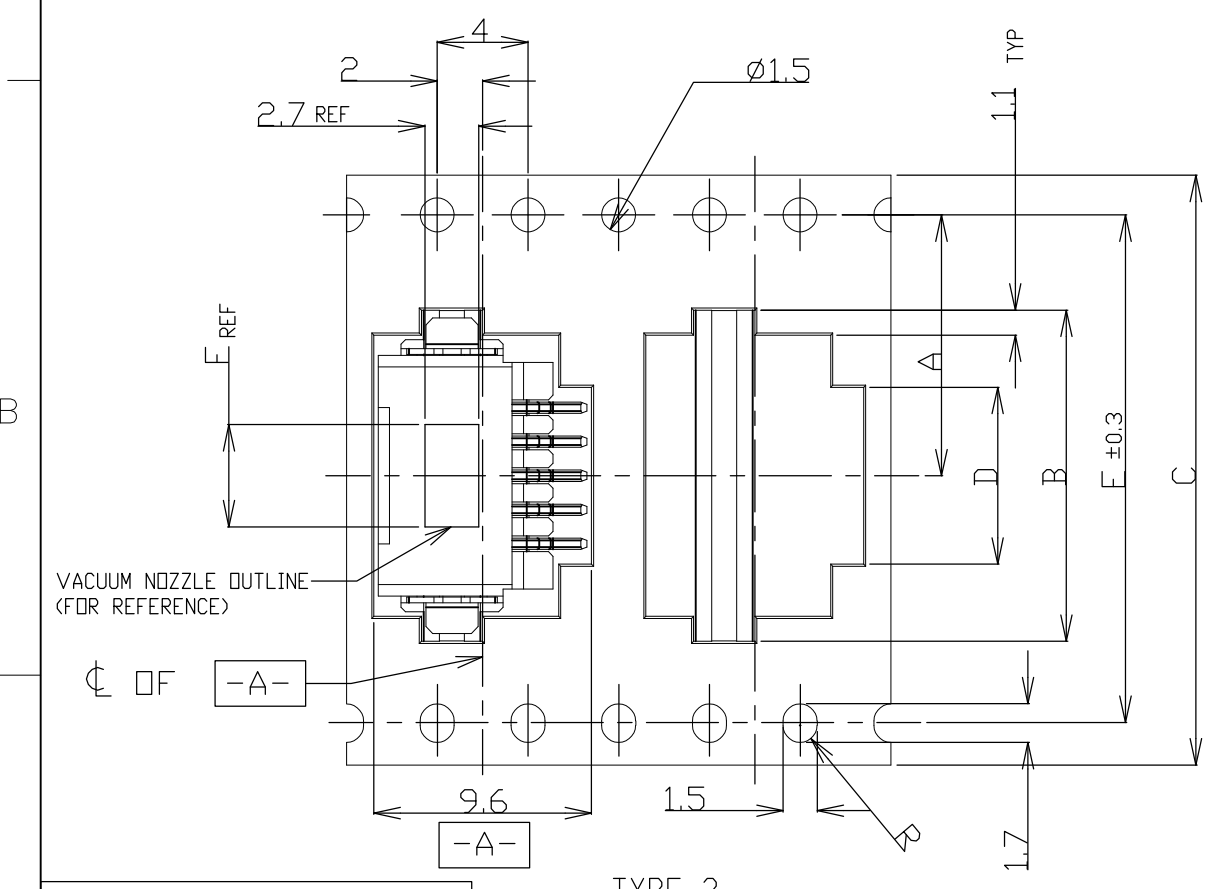
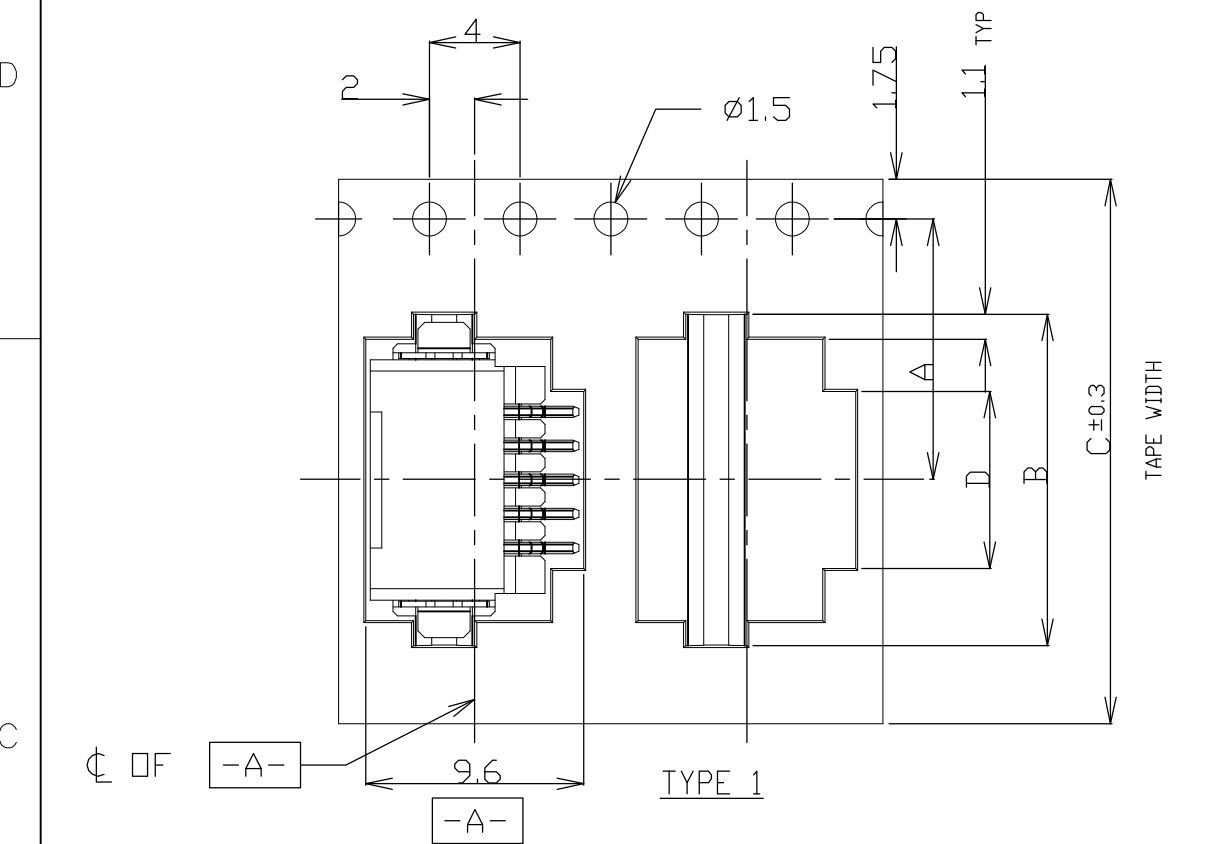


THIS DRAWING IS UNPUBLISHED. RELEASED FOR PUBLICATION
 © COPYRIGHT - By - ALL RIGHTS RESERVED.

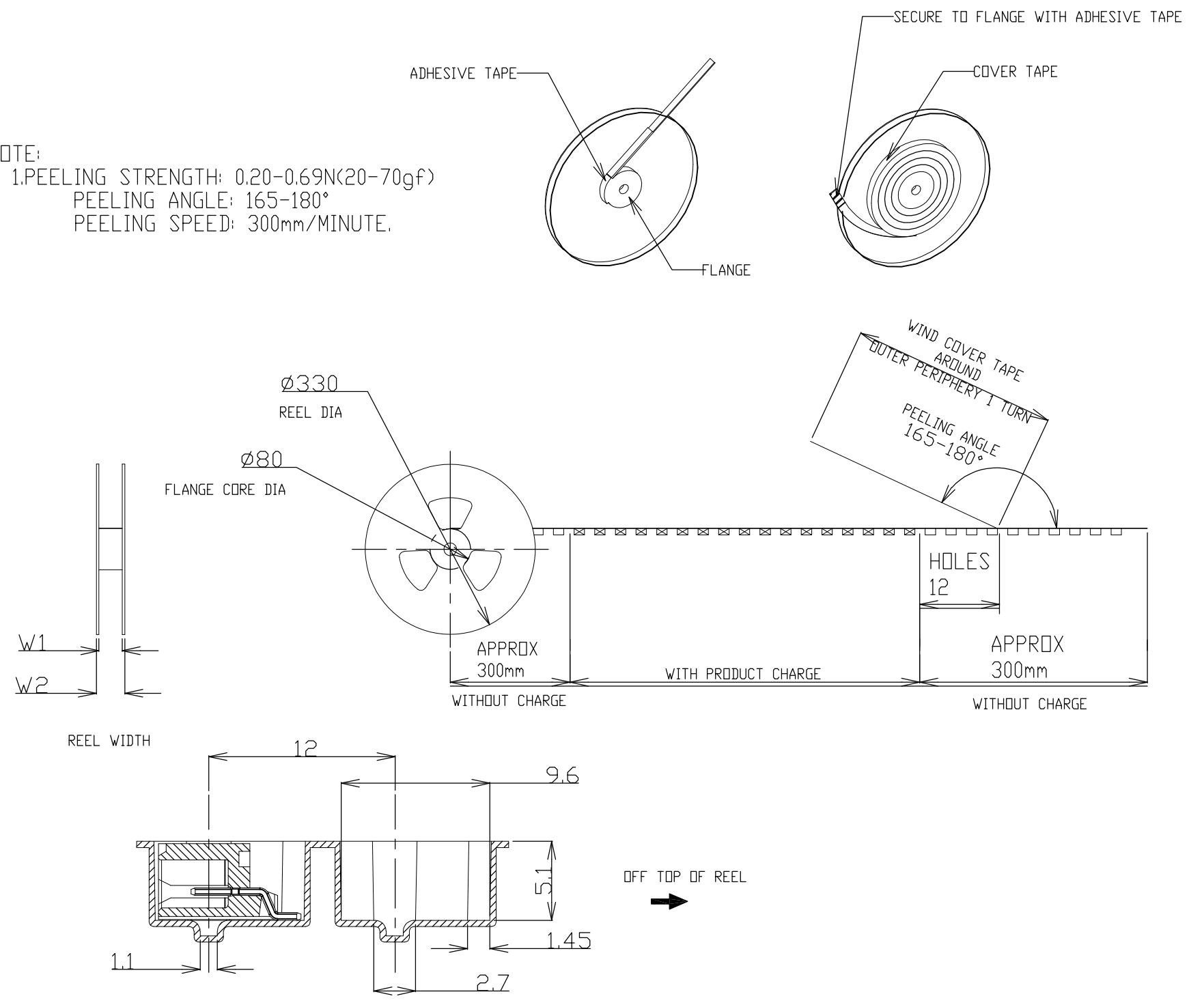
LOC	DIST	REVISIONS					
ES	00	P	LTR	DESCRIPTION	DATE	DWN	APVD
		C1	REVISED	ECR-12-021182	10DEC12	J.J	S.Y



TOLERANCES UNLESS OTHERWISE SPECIFIED:

10 >	: ±0.2
30 > * > 10	: ±0.25
100 > * > 30	: ±0.3
ANGLE	: ±3°

NOTE:
 1. PEELING STRENGTH: 0.20-0.69N(20-70gf)
 PEELING ANGLE: 165-180°
 PEELING SPEED: 300mm/MINUTE.



THIS DRAWING IS A CONTROLLED DOCUMENT.		DWN S.XU 31JAN03	STE TE Connectivity	
		CHK S.YAO 31JAN03		
		APVD T.SASAKI 31JAN03	NAME	
DIMENSIONS: mm		PRODUCT SPEC	AMP Mini CT Connector 1.5mm PITCH	
TOLERANCES UNLESS OTHERWISE SPECIFIED:		APPLICATION SPEC	SINGLE ROW POST HDR ASS'Y (H)	
0 PLC ± -		114-5223	SMT TYPE WITH BOSS, EMBOSS TAPE PACKAGED	
1 PLC ± -		WEIGHT	SIZE	CAGE CODE
2 PLC ± -		CUSTOMER DRAWING	A3	00779
3 PLC ± -			DRAWING NO C-292227	
4 PLC ± -			RESTRICTED TO	
ANGLES ± -			SCALE NTS	
FINISH -			SHEET 1 OF 4	
			REV C1	

THIS DRAWING IS UNPUBLISHED. RELEASED FOR PUBLICATION
 © COPYRIGHT - By - ALL RIGHTS RESERVED.

LOC	DIST	REVISIONS					
ES	00	P	LTR	DESCRIPTION	DATE	DWN	APVD
		-		SEE SHEET 1	-	-	-

TAPE TYPE	W2	W1	F	E	D	C	B	A	QTY/REEL	POS	COLOR	DN TAPE P/N	
TYPE 2	61.5	57.5	6.2	52.4	30.5	56	37.1	±0.15	700	20	BLACK	7-292227-0	
	61.5	57.5	6.2	52.4	29.0	56	35.6	26.2	700	19		6-292227-9	
	49.5	45.5	6.2	40.4	27.5	44	34.1	20.2 ±0.15	700	18		6-292227-8	
	49.5	45.5	6.2	40.4	26.0	44	32.6		700	17		6-292227-7	
	49.5	45.5	6.2	40.4	24.5	44	31.1		700	16		6-292227-6	
	49.5	45.5	6.2	40.4	23.0	44	29.6		700	15		6-292227-5	
	49.5	45.5	6.2	40.4	21.5	44	28.1		700	14		6-292227-4	
	49.5	45.5	6.2	40.4	20.0	44	26.6		700	13		6-292227-3	
	49.5	45.5	6.2	40.4	18.5	44	25.1		700	12		6-292227-2	
	49.5	45.5	6.2	40.4	17.0	44	23.6		20.2	700		11	6-292227-1
	37.5	33.5	6.2	28.4	15.5	32	22.1		14.2	700		10	6-292227-0
	37.5	33.5	6.2	28.4	14.0	32	20.6		14.2	700		9	5-292227-9
	37.5	33.5	6.2	28.4	12.5	32	19.1	14.2	700	8		5-292227-8	
	37.5	33.5	6.2	28.4	11.0	32	17.6	14.2	700	7		5-292227-7	
	TYPE 1	29.5	25.5	6.2	-	9.5	24	16.1	11.5	700		6	5-292227-6
		29.5	25.5	6.2	-	8.0	24	14.6	11.5	700		5	5-292227-5
		29.5	25.5	6.2	-	6.5	24	13.1	11.5	700		4	5-292227-4
		29.5	25.5	4.7	-	5.0	24	11.6	11.5	700		3	5-292227-3
29.5		25.5	2.8	-	3.5	24	10.1	11.5	700	2	5-292227-2		

TAPE TYPE	W2	W1	F	E	D	C	B	A	QTY/REEL	POS	COLOR	DN TAPE P/N	
TYPE 2	61.5	57.5	6.2	52.4	30.5	56	37.1	±0.15	700	20	BEIGE	2-292227-0	
	61.5	57.5	6.2	52.4	29.0	56	35.6	26.2	700	19		1-292227-9	
	49.5	45.5	6.2	40.4	27.5	44	34.1	20.2 ±0.15	700	18		1-292227-8	
	49.5	45.5	6.2	40.4	26.0	44	32.6		700	17		1-292227-7	
	49.5	45.5	6.2	40.4	24.5	44	31.1		700	16		1-292227-6	
	49.5	45.5	6.2	40.4	23.0	44	29.6		700	15		1-292227-5	
	49.5	45.5	6.2	40.4	21.5	44	28.1		700	14		1-292227-4	
	49.5	45.5	6.2	40.4	20.0	44	26.6		700	13		1-292227-3	
	49.5	45.5	6.2	40.4	18.5	44	25.1		700	12		1-292227-2	
	49.5	45.5	6.2	40.4	17.0	44	23.6		20.2	700		11	1-292227-1
	37.5	33.5	6.2	28.4	15.5	32	22.1		14.2	700		10	1-292227-0
	37.5	33.5	6.2	28.4	14.0	32	20.6		14.2	700		9	292227-9
	37.5	33.5	6.2	28.4	12.5	32	19.1	14.2	700	8		292227-8	
	37.5	33.5	6.2	28.4	11.0	32	17.6	14.2	700	7		292227-7	
	TYPE 1	29.5	25.5	6.2	-	9.5	24	16.1	11.5	700		6	292227-6
		29.5	25.5	6.2	-	8.0	24	14.6	11.5	700		5	292227-5
		29.5	25.5	6.2	-	6.5	24	13.1	11.5	700		4	292227-4
		29.5	25.5	4.7	-	5.0	24	11.6	11.5	700		3	292227-3
29.5		25.5	2.8	-	3.5	24	10.1	11.5	700	2	292227-2		

THIS DRAWING IS A CONTROLLED DOCUMENT.		DWN	S.XU	31JAN03	 TE Connectivity	
DIMENSIONS: mm		CHK	S.YAO	31JAN03		
		APVD	T.SASAKI	31JAN03		
TOLERANCES UNLESS OTHERWISE SPECIFIED:		PRODUCT SPEC	108-60018			
MATERIAL		FINISH	114-5223		NAME	AMP Mini CT Connector 1.5mm PITCH SINGLE ROW POST HDR ASS'Y (H) SMT TYPE WITH BOSS, EMBOSS TAPE PACKAGED
			WEIGHT		SIZE	A3
					CAGE CODE	00779
					DRAWING NO	C-292227
					RESTRICTED TO	-
					SCALE	NTS
					SHEET	2 of 4
					REV	C1

THIS DRAWING IS UNPUBLISHED.

RELEASED FOR PUBLICATION

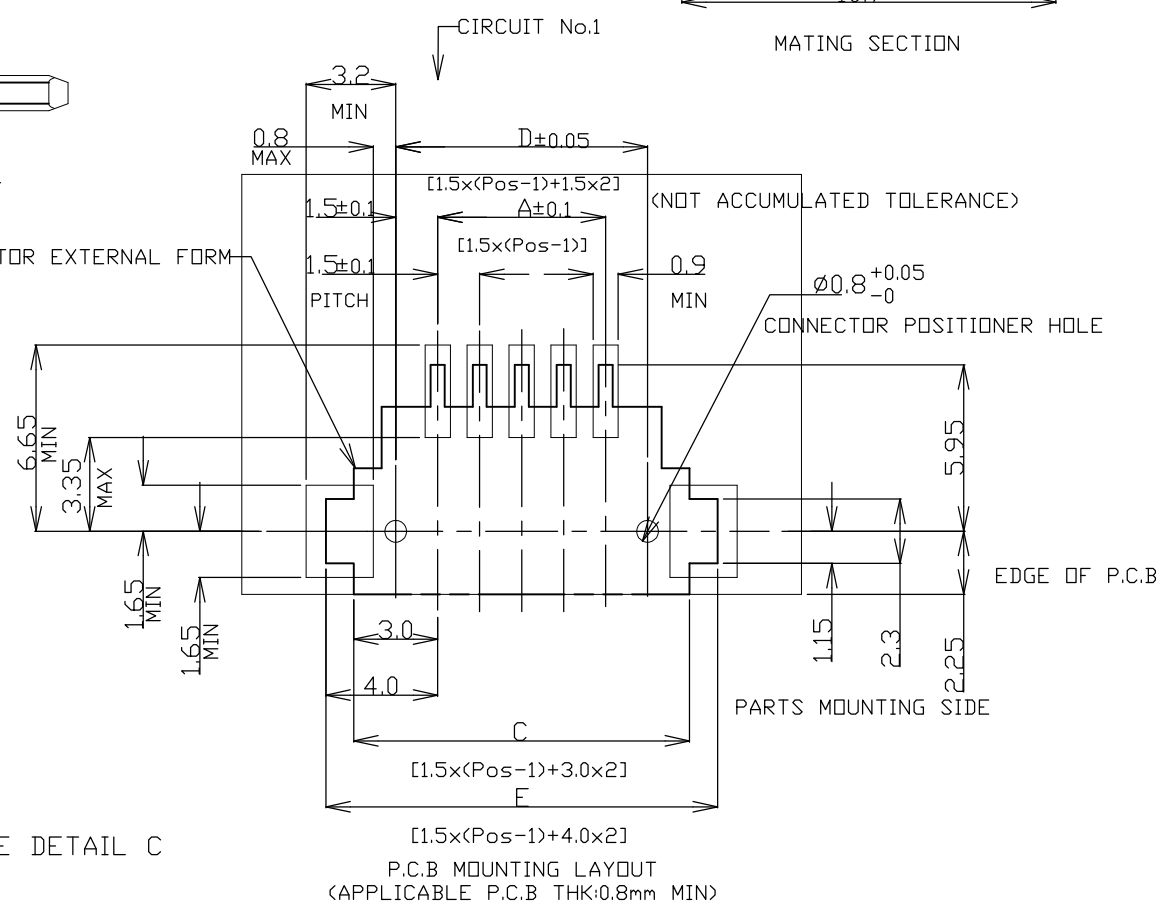
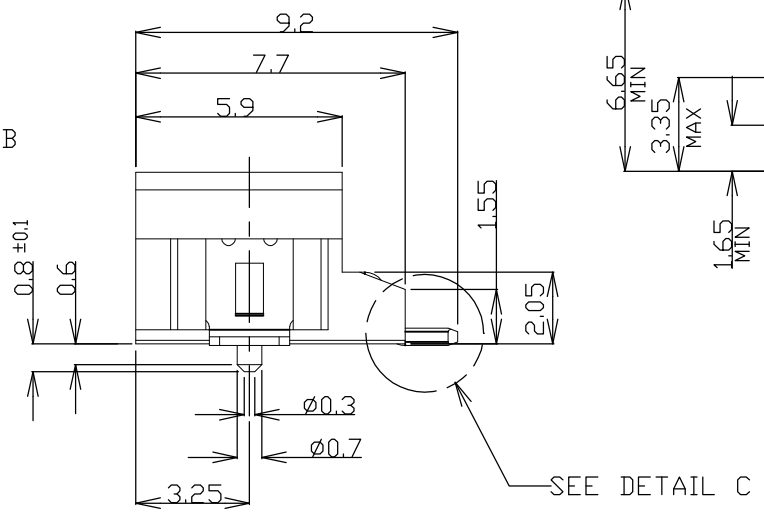
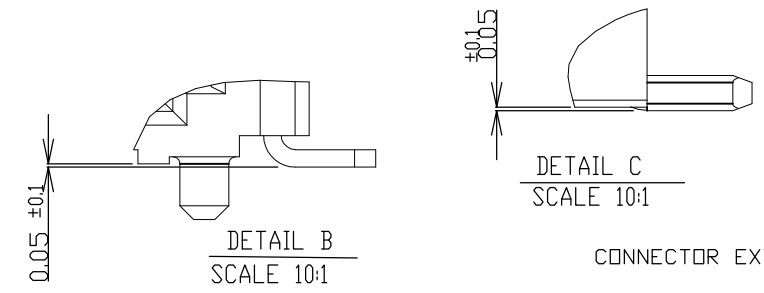
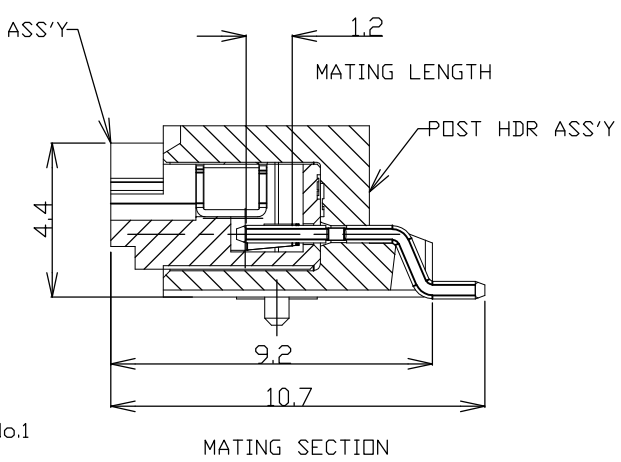
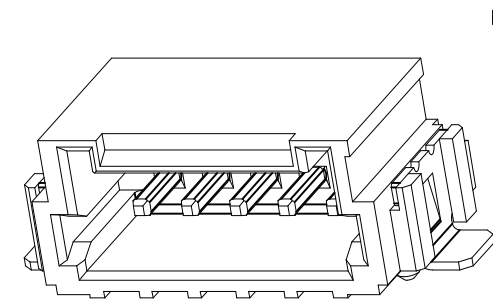
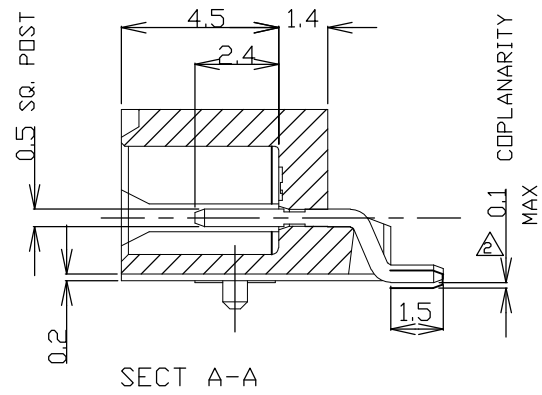
ALL RIGHTS RESERVED.

© COPYRIGHT - By -

LOC ES DIST 00

REVISIONS

P	LTR	DESCRIPTION	DATE	DWN	APVD
-	-	SEE SHEET 1	-	-	-



NOTES:
 1.MATERIAL:
 HOUSING:6T NYLON(HIGH HEAT-RESISTED NYLON)G.F.30%
 UL94V-0, COLOR: BEIGE OR BLACK
 POST:TIN BRASS WIRE
 TO BE MEASURED WITH CONNECTOR PLACED ON HORIZONTAL DATUM SURFACE,
 FLOAT OF SOLDER TINE AND SOLDER PEG 0.1mm MAX.

THIS DRAWING IS A CONTROLLED DOCUMENT.

DIMENSIONS:	TOLERANCES UNLESS OTHERWISE SPECIFIED:
mm	
0 PLC	± -
1 PLC	± -
2 PLC	± -
3 PLC	± -
4 PLC	± -
ANGLES	± -
MATERIAL	FINISH
-	-

DWN	S.XU	31JAN03
CHK	S.YAO	31JAN03
APVD	T.SASAKI	31JAN03
PRODUCT SPEC	108-60018	
APPLICATION SPEC	114-5223	
WEIGHT		
CUSTOMER DRAWING		



NAME			
AMP Mini CT Connector 1.5mm PITCH SINGLE ROW POST HDR ASS'Y (H) SMT TYPE WITH BOSS, EMBOSS TAPE PACKAGED			
SIZE	CAGE CODE	DRAWING NO	RESTRICTED TO
A3	00779	C-292227	-
SCALE	SHEET	REV	
NTS	3 OF 4	C1	

THIS DRAWING IS UNPUBLISHED. RELEASED FOR PUBLICATION
 © COPYRIGHT - By - ALL RIGHTS RESERVED.

LOC	DIST	REVISIONS					
		P	LTR	DESCRIPTION	DATE	DWN	APVD
ES	00		-	SEE SHEET 1	-	-	-

1.079	36.5	31.5	34.5	30.6	28.5	20	7-292227-0	2-292227-0
1.034	35.0	30.0	33.0	29.1	27.0	19	6-292227-9	1-292227-9
0.989	33.5	28.5	31.5	27.6	25.5	18	6-292227-8	1-292227-8
0.943	32.0	27.0	30.0	26.1	24.0	17	6-292227-7	1-292227-7
0.897	30.5	25.5	28.5	24.6	22.5	16	6-292227-6	1-292227-6
0.851	29.0	24.0	27.0	23.1	21.0	15	6-292227-5	1-292227-5
0.805	27.5	22.5	25.5	21.6	19.5	14	6-292227-4	1-292227-4
0.760	26.0	21.0	24.0	20.1	18.0	13	6-292227-3	1-292227-3
0.714	24.5	19.5	22.5	18.6	16.5	12	6-292227-2	1-292227-2
0.668	23.0	18.0	21.0	17.1	15.0	11	6-292227-1	1-292227-1
0.622	21.5	16.5	19.5	15.6	13.5	10	6-292227-0	1-292227-0
0.577	20.0	15.0	18.0	14.1	12.0	9	5-292227-9	292227-9
0.531	18.5	13.5	16.5	12.6	10.5	8	5-292227-8	292227-8
0.485	17.0	12.0	15.0	11.1	9.0	7	5-292227-7	292227-7
0.439	15.5	10.5	13.5	9.6	7.5	6	5-292227-6	292209-6
0.393	14.0	9.0	12.0	8.1	6.0	5	5-292227-5	292227-5
0.348	12.5	7.5	10.5	6.6	4.5	4	5-292227-4	292227-4
0.302	11.0	6.0	9.0	5.1	3.0	3	5-292227-3	292227-3
0.256	9.5	4.5	7.5	3.6	1.5	2	5-292227-2	292227-2
WEIGHT (g)	E	D	C	B	A	Pos.	BLACK	BEIGE (NAT)
	DIMENSIONS						P/N	

THIS DRAWING IS A CONTROLLED DOCUMENT.		DWN S.XU 31JAN03	STE TE Connectivity	
DIMENSIONS: mm		CHK S.YAO 31JAN03		
TOLERANCES UNLESS OTHERWISE SPECIFIED:		APVD T.SASAKI 31JAN03	NAME	
0 PLC ± -		PRODUCT SPEC	AMP Mini CT Connector 1.5mm PITCH	
1 PLC ± -		108-60018	SINGLE ROW POST HDR ASS'Y (H)	
2 PLC ± -		APPLICATION SPEC	SMT TYPE WITH BOSS, EMBOSS TAPE PACKAGED	
3 PLC ± -		114-5223	SIZE	RESTRICTED TO
4 PLC ± -		WEIGHT	A3 00779	
ANGLES ± -		CUSTOMER DRAWING	CAGE CODE	DRAWING NO
FINISH		SCALE	G-292227	REV
		NTS	4 OF 4	C1

X-ON Electronics

Largest Supplier of Electrical and Electronic Components

Click to view similar products for [Headers & Wire Housings](#) category:

Click to view products by [TE Connectivity](#) manufacturer:

Other Similar products are found below :

[892-18-020-10-001101](#) [58102-G61-06LF](#) [582553-1](#) [0009485154](#) [009176003701906](#) [0050291907](#) [LY20-4P-DT1-P1E-BR](#) [02.125.8002.8](#)
[609-3404](#) [61062-3](#) [61082-181009](#) [622-3653LF](#) [63453-116](#) [636-1030](#) [636-1427](#) [636-3427](#) [636-4007](#) [641938-9](#) [641991-4](#) [644827-2](#) [65817-](#)
[010LF](#) [65817-015LF](#) [65863-015LF](#) [66207-023LF](#) [67095-007LF](#) [67601157](#) [68645-018](#) [68648-049](#) [70.362.1628.0](#) [70-4210](#) [70-4226B](#) [70-](#)
[4853B](#) [707-5020](#) [707-5028](#) [71.350.2428.0](#) [71918-208LF](#) [71961-016LF](#) [733-134](#) [733-162](#) [754199-000](#) [760-3052](#) [79531-3000](#) [FCN-](#)
[360C032-B](#) [FCN-367T-T012/H](#) [FCN-723D010/2](#) [80.063.4001.1](#) [800-90-010-10-002000](#) [801-43-002-10-013000](#) [801-43-006-10-002000](#)
[801-93-011-10-001000](#)