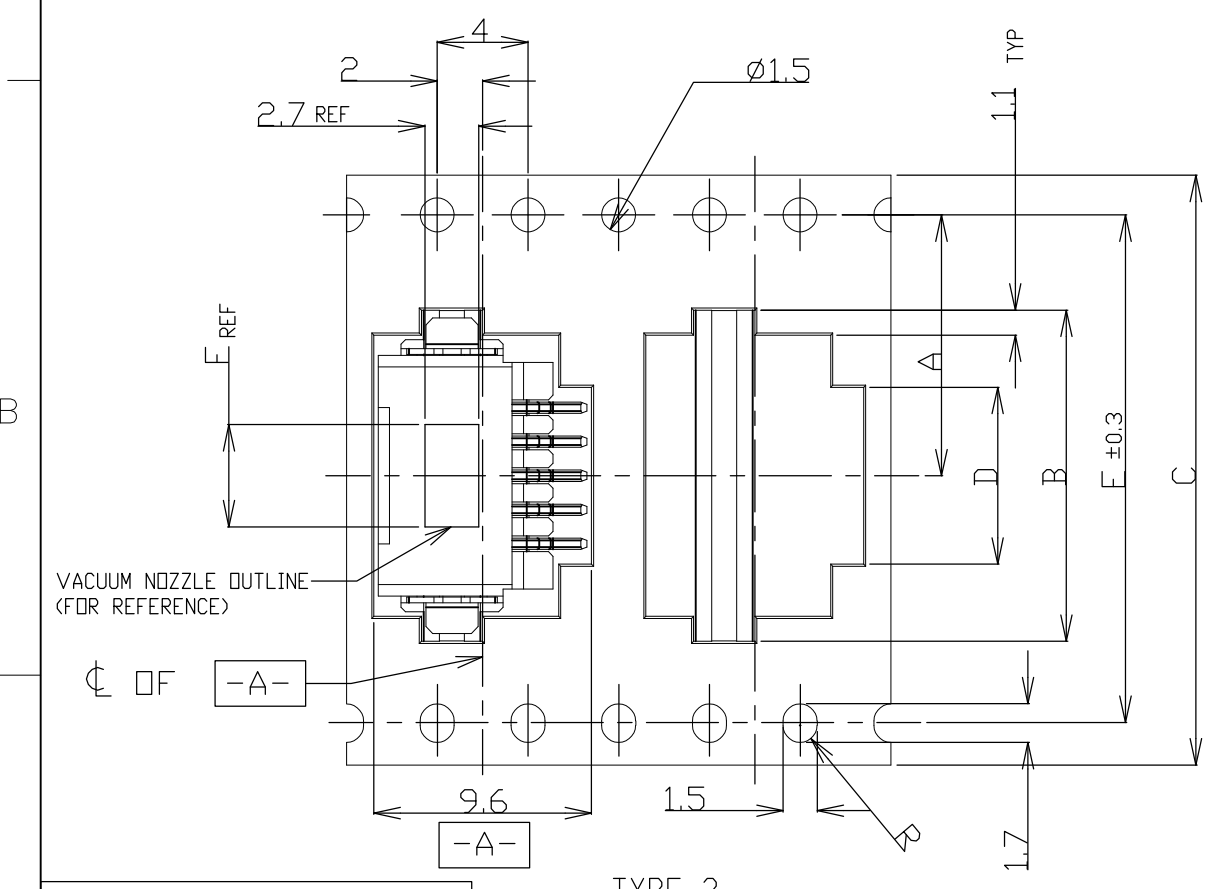
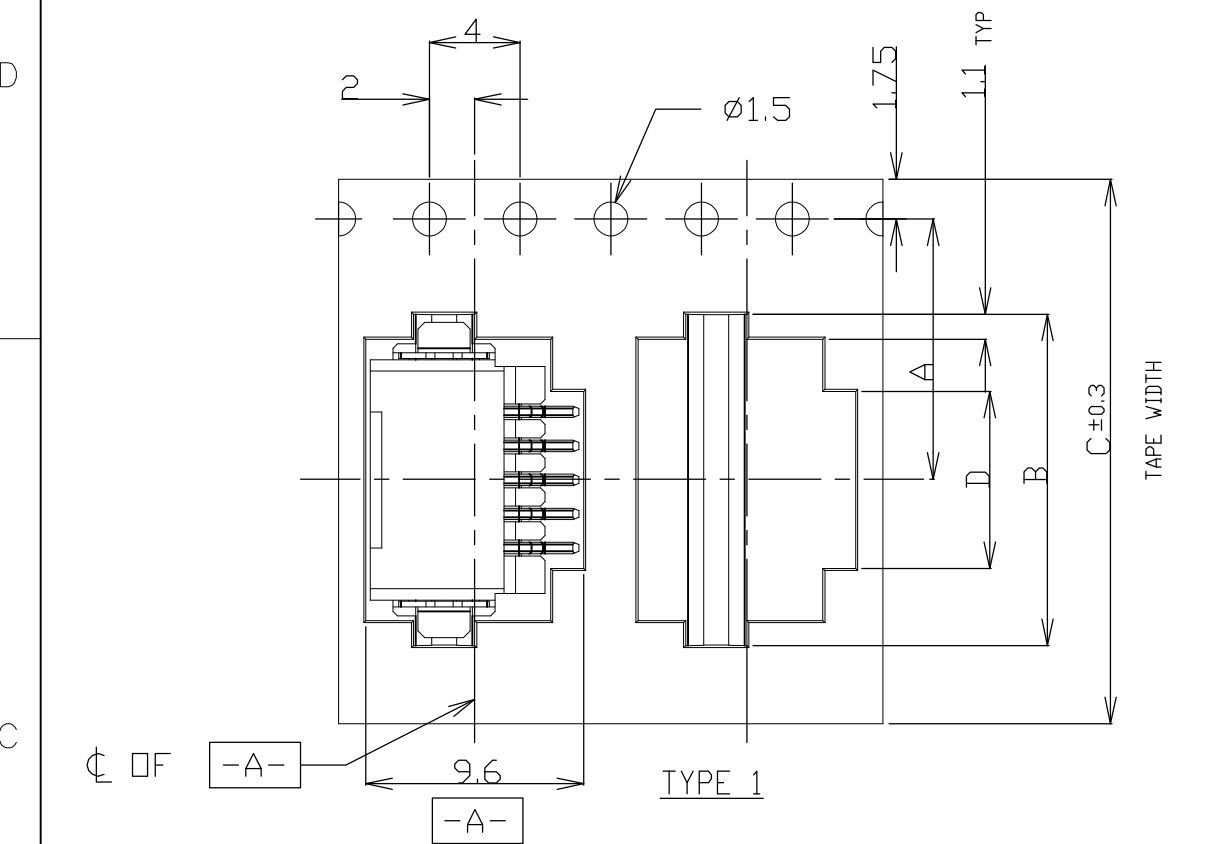


THIS DRAWING IS UNPUBLISHED. RELEASED FOR PUBLICATION
 © COPYRIGHT - By - ALL RIGHTS RESERVED.

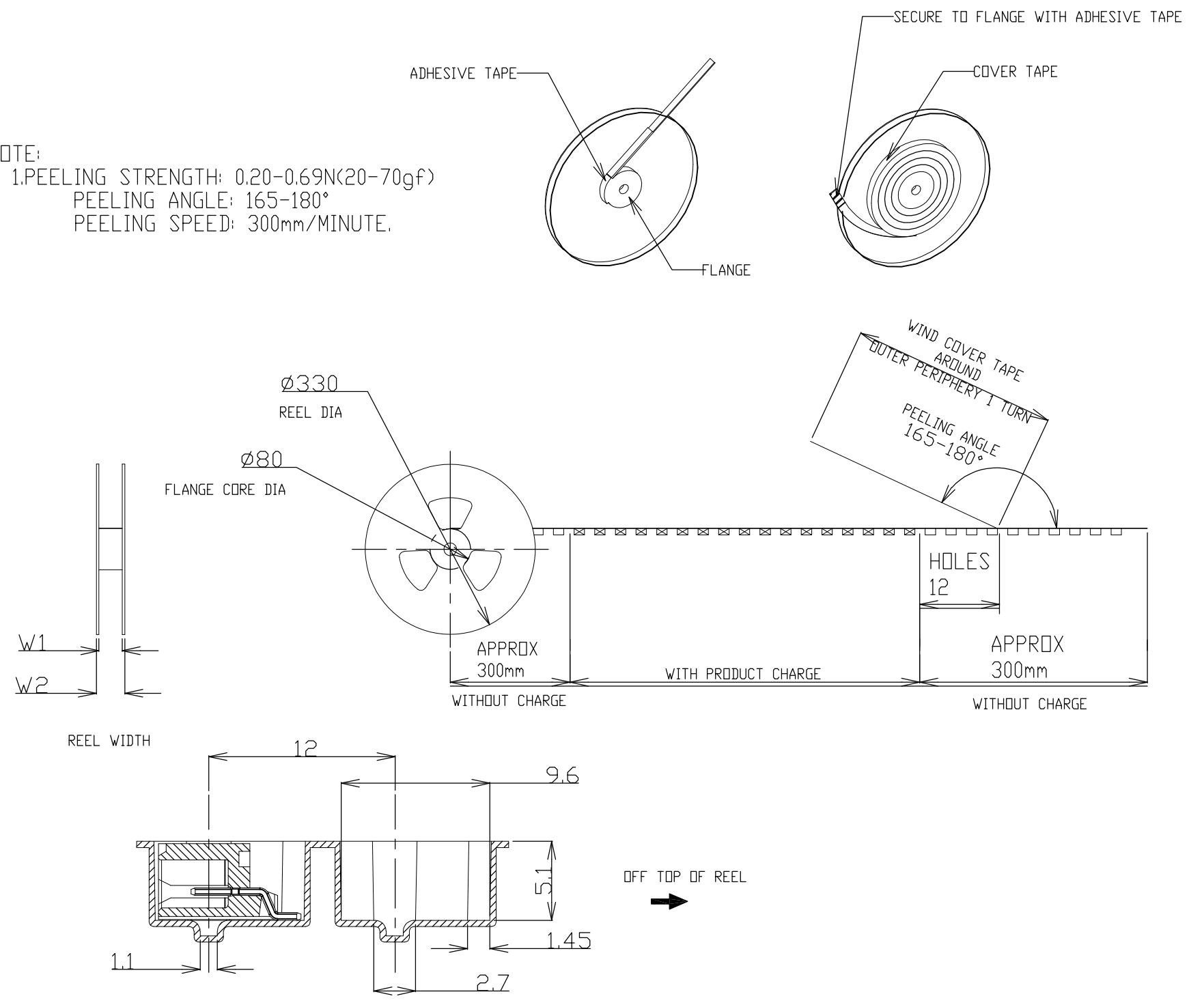
LOC	DIST	REVISIONS					
ES	00	P	LTR	DESCRIPTION	DATE	DWN	APVD
		C1	REVISED	ECR-12-021182	10DEC12	J.J	S.Y



TOLERANCES UNLESS OTHERWISE SPECIFIED:

10 >	: ±0.2
30 > * > 10	: ±0.25
100 > * > 30	: ±0.3
ANGLE	: ±3°

NOTE:
 1. PEELING STRENGTH: 0.20-0.69N(20-70gf)
 PEELING ANGLE: 165-180°
 PEELING SPEED: 300mm/MINUTE.



THIS DRAWING IS A CONTROLLED DOCUMENT.		DWN S.XU 31JAN03	STE TE Connectivity	
		CHK S.YAO 31JAN03		
		APVD T.SASAKI 31JAN03	NAME	
DIMENSIONS: mm		PRODUCT SPEC 108-60018	AMP Mini CT Connector 1.5mm PITCH SINGLE ROW POST HDR ASS'Y (H) SMT TYPE WITH BOSS, EMBOSS TAPE PACKAGED	
TOLERANCES UNLESS OTHERWISE SPECIFIED:		APPLICATION SPEC 114-5223	SIZE	CAGE CODE
MATERIAL		WEIGHT	A300779	DRAWING NO
		CUSTOMER DRAWING	C-292227	RESTRICTED TO
		SCALE NTS	SHEET 1 OF 4	REV C1

THIS DRAWING IS UNPUBLISHED. RELEASED FOR PUBLICATION
 © COPYRIGHT - By - ALL RIGHTS RESERVED.

LOC	DIST	REVISIONS					
ES	00	P	LTR	DESCRIPTION	DATE	DWN	APVD
		-		SEE SHEET 1	-	-	-

TAPE TYPE	W2	W1	F	E	D	C	B	A	QTY/REEL	POS	COLOR	DN TAPE P/N	
TYPE 2	61.5	57.5	6.2	52.4	30.5	56	37.1	±0.15 26.2	700	20	BLACK	7-292227-0	
	61.5	57.5	6.2	52.4	29.0	56	35.6		700	19		6-292227-9	
	49.5	45.5	6.2	40.4	27.5	44	34.1	20.2 ±0.15	700	18		6-292227-8	
	49.5	45.5	6.2	40.4	26.0	44	32.6		700	17		6-292227-7	
	49.5	45.5	6.2	40.4	24.5	44	31.1		700	16		6-292227-6	
	49.5	45.5	6.2	40.4	23.0	44	29.6		700	15		6-292227-5	
	49.5	45.5	6.2	40.4	21.5	44	28.1		700	14		6-292227-4	
	49.5	45.5	6.2	40.4	20.0	44	26.6		700	13		6-292227-3	
	49.5	45.5	6.2	40.4	18.5	44	25.1		700	12		6-292227-2	
	49.5	45.5	6.2	40.4	17.0	44	23.6		20.2	700		11	6-292227-1
	37.5	33.5	6.2	28.4	15.5	32	22.1		14.2	700		10	6-292227-0
	37.5	33.5	6.2	28.4	14.0	32	20.6		14.2	700		9	5-292227-9
	37.5	33.5	6.2	28.4	12.5	32	19.1	14.2	700	8		5-292227-8	
	37.5	33.5	6.2	28.4	11.0	32	17.6	14.2	700	7		5-292227-7	
	TYPE 1	29.5	25.5	6.2	-	9.5	24	16.1	11.5	700		6	5-292227-6
		29.5	25.5	6.2	-	8.0	24	14.6	11.5	700		5	5-292227-5
		29.5	25.5	6.2	-	6.5	24	13.1	11.5	700		4	5-292227-4
		29.5	25.5	4.7	-	5.0	24	11.6	11.5	700		3	5-292227-3
29.5		25.5	2.8	-	3.5	24	10.1	11.5	700	2	5-292227-2		

TAPE TYPE	W2	W1	F	E	D	C	B	A	QTY/REEL	POS	COLOR	DN TAPE P/N	
TYPE 2	61.5	57.5	6.2	52.4	30.5	56	37.1	±0.15 26.2	700	20	BEIGE	2-292227-0	
	61.5	57.5	6.2	52.4	29.0	56	35.6		700	19		1-292227-9	
	49.5	45.5	6.2	40.4	27.5	44	34.1	20.2 ±0.15	700	18		1-292227-8	
	49.5	45.5	6.2	40.4	26.0	44	32.6		700	17		1-292227-7	
	49.5	45.5	6.2	40.4	24.5	44	31.1		700	16		1-292227-6	
	49.5	45.5	6.2	40.4	23.0	44	29.6		700	15		1-292227-5	
	49.5	45.5	6.2	40.4	21.5	44	28.1		700	14		1-292227-4	
	49.5	45.5	6.2	40.4	20.0	44	26.6		700	13		1-292227-3	
	49.5	45.5	6.2	40.4	18.5	44	25.1		700	12		1-292227-2	
	49.5	45.5	6.2	40.4	17.0	44	23.6		20.2	700		11	1-292227-1
	37.5	33.5	6.2	28.4	15.5	32	22.1		14.2	700		10	1-292227-0
	37.5	33.5	6.2	28.4	14.0	32	20.6		14.2	700		9	292227-9
	37.5	33.5	6.2	28.4	12.5	32	19.1	14.2	700	8		292227-8	
	37.5	33.5	6.2	28.4	11.0	32	17.6	14.2	700	7		292227-7	
	TYPE 1	29.5	25.5	6.2	-	9.5	24	16.1	11.5	700		6	292227-6
		29.5	25.5	6.2	-	8.0	24	14.6	11.5	700		5	292227-5
		29.5	25.5	6.2	-	6.5	24	13.1	11.5	700		4	292227-4
		29.5	25.5	4.7	-	5.0	24	11.6	11.5	700		3	292227-3
29.5		25.5	2.8	-	3.5	24	10.1	11.5	700	2	292227-2		

THIS DRAWING IS A CONTROLLED DOCUMENT.		DWN	S.XU	31JAN03	 TE Connectivity							
DIMENSIONS: mm		CHK	S.YAO	31JAN03								
		APVD	T.SASAKI	31JAN03								
TOLERANCES UNLESS OTHERWISE SPECIFIED:		PRODUCT SPEC	108-60018									
MATERIAL		FINISH	114-5223		NAME	AMP Mini CT Connector 1.5mm PITCH SINGLE ROW POST HDR ASS'Y (H) SMT TYPE WITH BOSS, EMBOSS TAPE PACKAGED						
			WEIGHT		SIZE	A3	CAGE CODE	00779	DRAWING NO	C-292227	RESTRICTED TO	-
			CUSTOMER DRAWING		SCALE	NTS		SHEET	2 of 4		REV	C1

THIS DRAWING IS UNPUBLISHED.

RELEASED FOR PUBLICATION

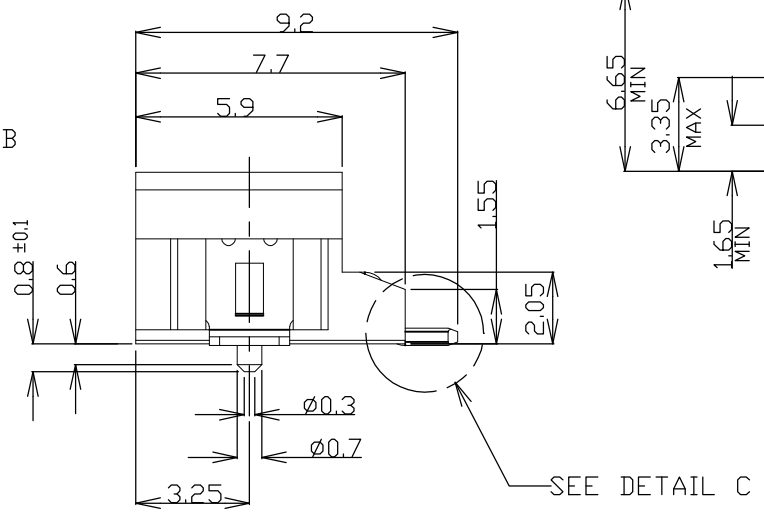
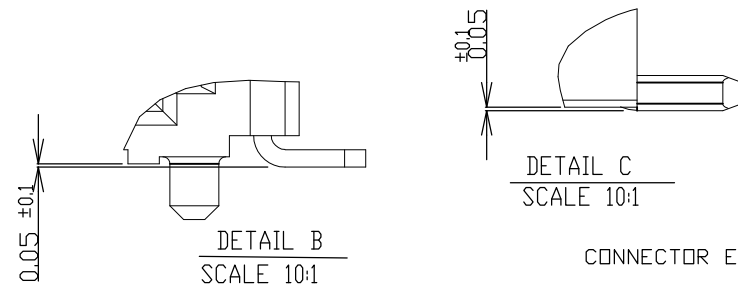
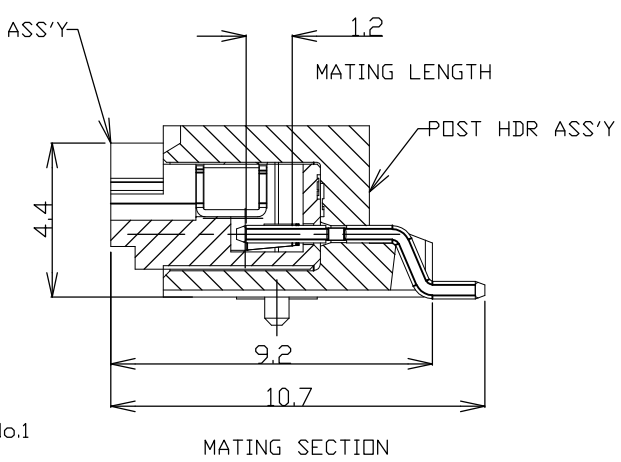
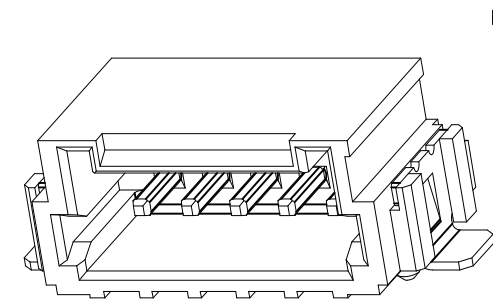
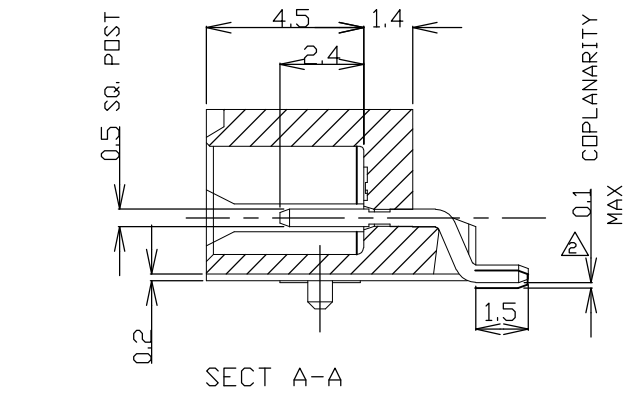
ALL RIGHTS RESERVED.

© COPYRIGHT - By -

LOC ES DIST 00

REVISIONS

P	LTR	DESCRIPTION	DATE	DWN	APVD
-	-	SEE SHEET 1	-	-	-



NOTES:
 1.MATERIAL:
 HOUSING:6T NYLON(HIGH HEAT-RESISTED NYLON)G.F.30%
 UL94V-0, COLOR: BEIGE OR BLACK
 POST:TIN BRASS WIRE
 TO BE MEASURED WITH CONNECTOR PLACED ON HORIZONTAL DATUM SURFACE,
 FLOAT OF SOLDER TINE AND SOLDER PEG 0.1mm MAX.

THIS DRAWING IS A CONTROLLED DOCUMENT.

DIMENSIONS: mm	TOLERANCES UNLESS OTHERWISE SPECIFIED:
	0 PLC ± -
	1 PLC ± -
	2 PLC ± -
	3 PLC ± -
	4 PLC ± -
	ANGLES ± -
MATERIAL	FINISH

DWN	S.XU	31JAN03
CHK	S.YAO	31JAN03
APVD	T.SASAKI	31JAN03
PRODUCT SPEC	108-60018	
APPLICATION SPEC	114-5223	
WEIGHT	-	

STE TE Connectivity

AMP Mini CT Connector 1.5mm PITCH
 SINGLE ROW POST HDR ASS'Y (H)
 SMT TYPE WITH BOSS, EMBOSS TAPE PACKAGED

SIZE	CAGE CODE	DRAWING NO	RESTRICTED TO
A3	00779	C-292227	-

CUSTOMER DRAWING SCALE NTS SHEET 3 OF 4 REV C1

THIS DRAWING IS UNPUBLISHED. RELEASED FOR PUBLICATION
 © COPYRIGHT - By - ALL RIGHTS RESERVED.

LOC	DIST	REVISIONS					
ES	00	P	LTR	DESCRIPTION	DATE	DWN	APVD
		-		SEE SHEET 1	-	-	-

1.079	36.5	31.5	34.5	30.6	28.5	20	7-292227-0	2-292227-0
1.034	35.0	30.0	33.0	29.1	27.0	19	6-292227-9	1-292227-9
0.989	33.5	28.5	31.5	27.6	25.5	18	6-292227-8	1-292227-8
0.943	32.0	27.0	30.0	26.1	24.0	17	6-292227-7	1-292227-7
0.897	30.5	25.5	28.5	24.6	22.5	16	6-292227-6	1-292227-6
0.851	29.0	24.0	27.0	23.1	21.0	15	6-292227-5	1-292227-5
0.805	27.5	22.5	25.5	21.6	19.5	14	6-292227-4	1-292227-4
0.760	26.0	21.0	24.0	20.1	18.0	13	6-292227-3	1-292227-3
0.714	24.5	19.5	22.5	18.6	16.5	12	6-292227-2	1-292227-2
0.668	23.0	18.0	21.0	17.1	15.0	11	6-292227-1	1-292227-1
0.622	21.5	16.5	19.5	15.6	13.5	10	6-292227-0	1-292227-0
0.577	20.0	15.0	18.0	14.1	12.0	9	5-292227-9	292227-9
0.531	18.5	13.5	16.5	12.6	10.5	8	5-292227-8	292227-8
0.485	17.0	12.0	15.0	11.1	9.0	7	5-292227-7	292227-7
0.439	15.5	10.5	13.5	9.6	7.5	6	5-292227-6	292209-6
0.393	14.0	9.0	12.0	8.1	6.0	5	5-292227-5	292227-5
0.348	12.5	7.5	10.5	6.6	4.5	4	5-292227-4	292227-4
0.302	11.0	6.0	9.0	5.1	3.0	3	5-292227-3	292227-3
0.256	9.5	4.5	7.5	3.6	1.5	2	5-292227-2	292227-2
WEIGHT (g)	E	D	C	B	A	Pos.	BLACK	BEIGE (NAT)
	DIMENSIONS						P/N	

THIS DRAWING IS A CONTROLLED DOCUMENT.		DWN	S.XU	31JAN03	STE TE Connectivity		
DIMENSIONS: mm		CHK	S.YAO	31JAN03			
TOLERANCES UNLESS OTHERWISE SPECIFIED:		APVD	T.SASAKI	31JAN03	NAME		
0 PLC ± -		PRODUCT SPEC		AMP Mini CT Connector 1.5mm PITCH			
1 PLC ± -		108-60018		SINGLE ROW POST HDR ASS'Y (H)			
2 PLC ± -		APPLICATION SPEC		SMT TYPE WITH BOSS, EMBOSS TAPE PACKAGED			
3 PLC ± -		114-5223		SIZE	CAGE CODE	DRAWING NO	RESTRICTED TO
4 PLC ± -		WEIGHT		A3	00779	C-292227	-
ANGLES ± -		CUSTOMER DRAWING		SCALE	NTS	SHEET	4 OF 4
FINISH						REV	C1

X-ON Electronics

Largest Supplier of Electrical and Electronic Components

Click to view similar products for [Headers & Wire Housings](#) category:

Click to view products by [TE Connectivity](#) manufacturer:

Other Similar products are found below :

[892-18-020-10-001101](#) [58102-G61-06LF](#) [582553-1](#) [0009485154](#) [009176003701906](#) [0050291907](#) [LY20-4P-DT1-P1E-BR](#) [02.125.8002.8](#)
[609-3404](#) [61062-3](#) [61082-181009](#) [622-3653LF](#) [63453-116](#) [636-1030](#) [636-1427](#) [636-3427](#) [636-4007](#) [641938-9](#) [641991-4](#) [644827-2](#) [65817-010LF](#) [65817-015LF](#) [65863-015LF](#) [66207-023LF](#) [67095-007LF](#) [67601157](#) [68645-018](#) [68648-049](#) [70.362.1628.0](#) [70-4210](#) [70-4226B](#) [70-4853B](#) [707-5020](#) [707-5028](#) [71.350.2428.0](#) [71918-208LF](#) [71961-016LF](#) [733-134](#) [733-162](#) [754199-000](#) [760-3052](#) [787-8014-00](#) [79531-3000](#)
[FCN-360C032-B](#) [FCN-367T-T012/H](#) [FCN-723D010/2](#) [80.063.4001.1](#) [800-90-001-10-001000](#) [800-90-010-10-002000](#) [801-43-002-10-013000](#)