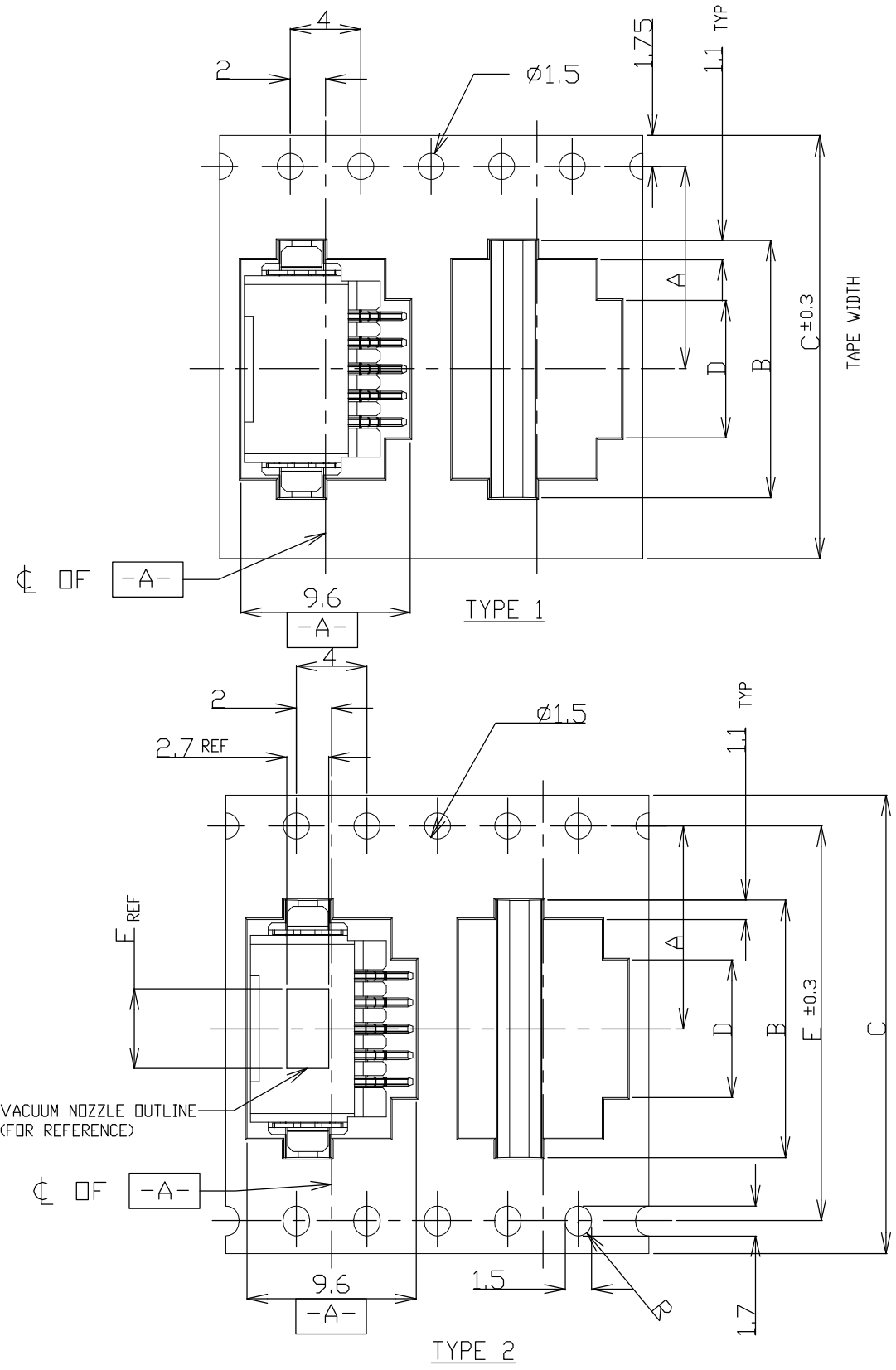
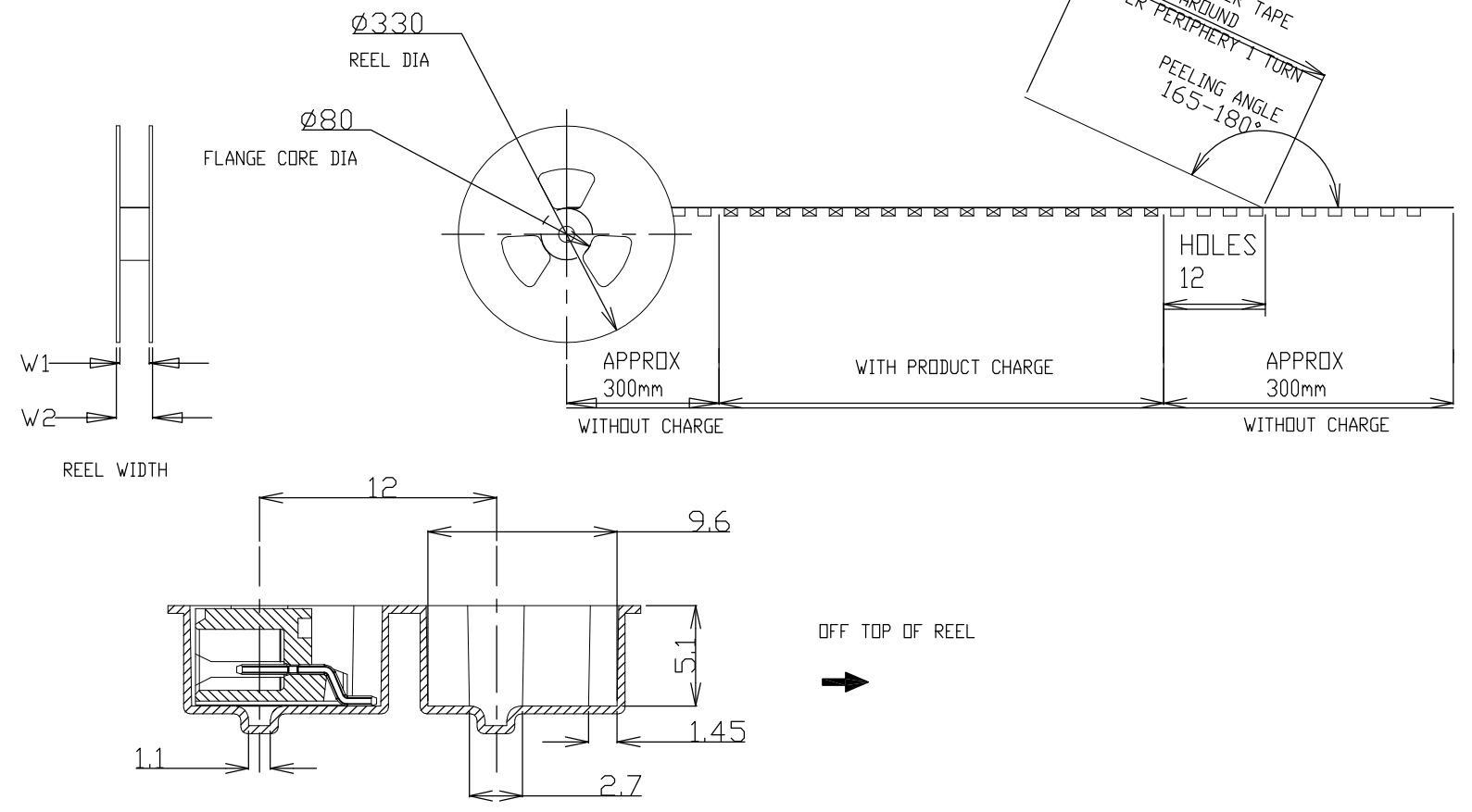
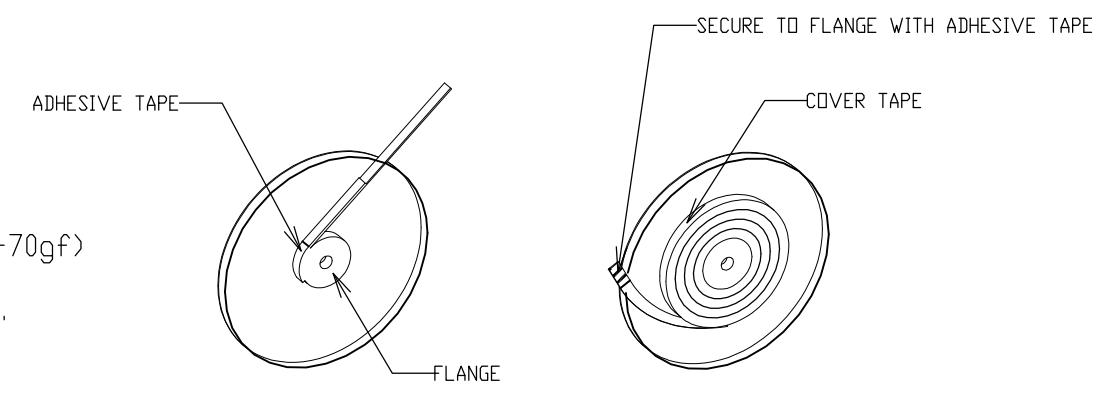


THIS DRAWING IS UNPUBLISHED. RELEASED FOR PUBLICATION
 © COPYRIGHT - By - ALL RIGHTS RESERVED.

LOC	DIST	REVISIONS					
ES	00	P	LTR	DESCRIPTION	DATE	DWN	APVD
			C3	REVISED PER ECO-11-005033	24MAR11	RK	HMR



NOTE:
 1. PEELING STRENGTH: 0.20-0.69N (20-70gf)
 PEELING ANGLE: 165-180°
 PEELING SPEED: 300mm/MINUTE.



TOLERANCES UNLESS OTHERWISE SPECIFIED:

10 >	:	±0.2
30 > * > 10	:	±0.25
100 > * > 30	:	±0.3
ANGLE	:	±3°

THIS DRAWING IS A CONTROLLED DOCUMENT.		DWN S.XU 31JAN03	STE TE Connectivity	
DIMENSIONS: mm		CHK S.YAO 31JAN03		
TOLERANCES UNLESS OTHERWISE SPECIFIED:		APVD T.SASAKI 31JAN03	NAME	
0 PLC ± -		PRODUCT SPEC	AMP Mini CT Connector 1.5mm PITCH	
1 PLC ± -		108-60018	SINGLE ROW POST HDR ASS'Y (H)	
2 PLC ± -		APPLICATION SPEC	SMT TYPE WITHOUT BOSS, EMBOSS TAPE PACKAGED	
3 PLC ± -		114-5223	SIZE	CAGE CODE
4 PLC ± -		WEIGHT	A3	00779
ANGLES ± -		CUSTOMER DRAWING	DRAWING NO	C-292228
FINISH		SCALE	NTS	SHEET
				1 OF 4
				REV C3

THIS DRAWING IS UNPUBLISHED. RELEASED FOR PUBLICATION
 © COPYRIGHT - By - ALL RIGHTS RESERVED.

LOC	DIST	REVISIONS					
ES	00	P	LTR	DESCRIPTION	DATE	DWN	APVD
		-		SEE SHEET 1	-	-	-

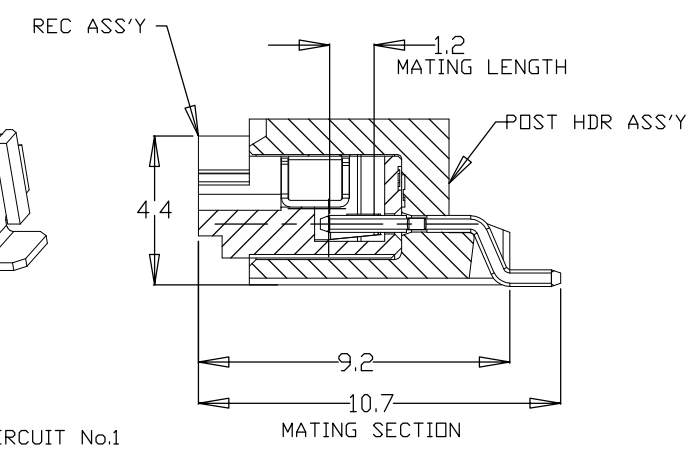
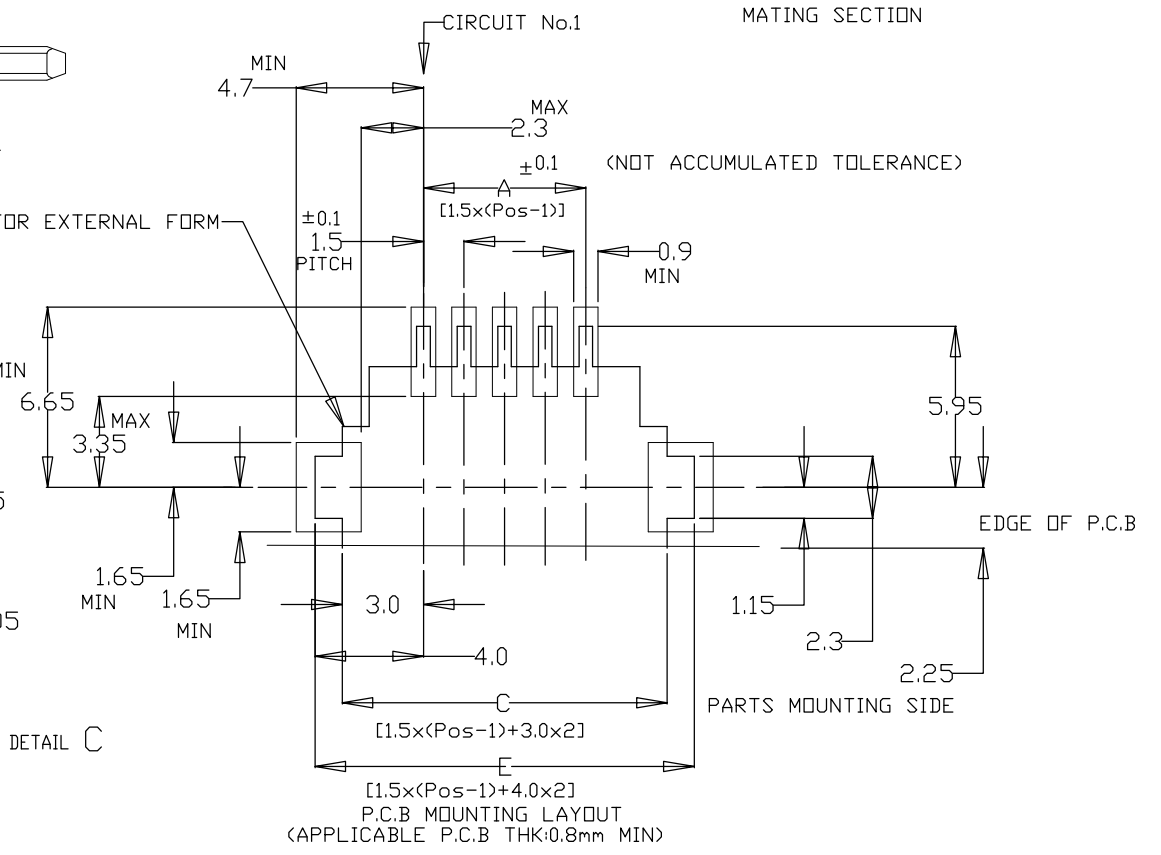
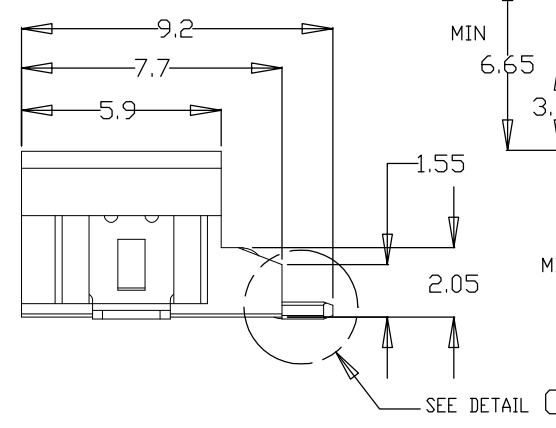
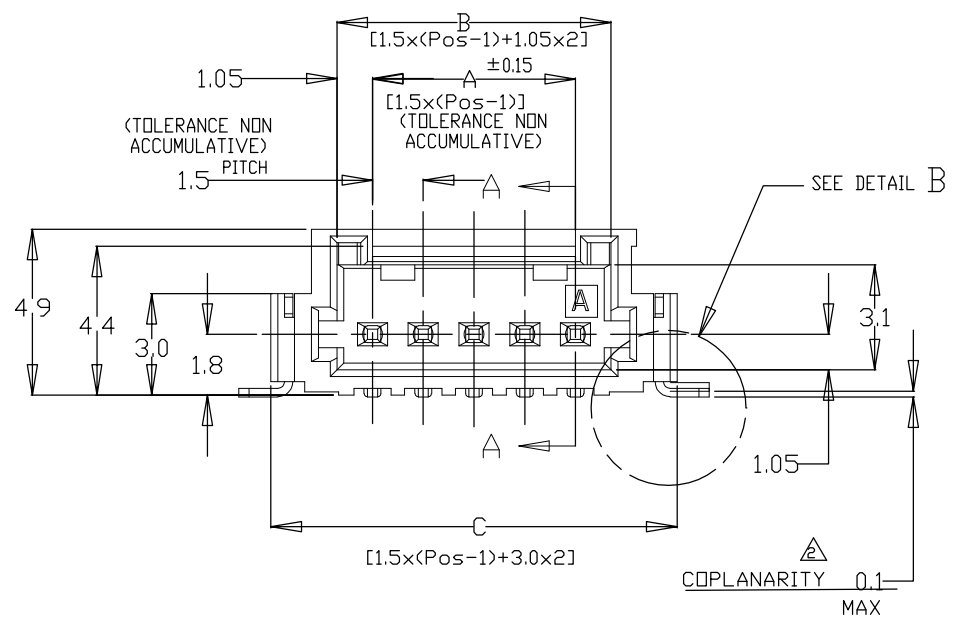
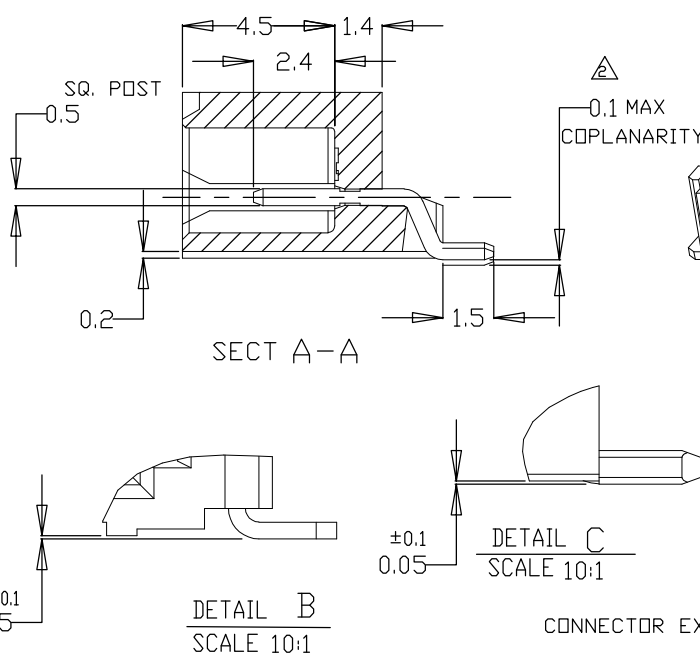
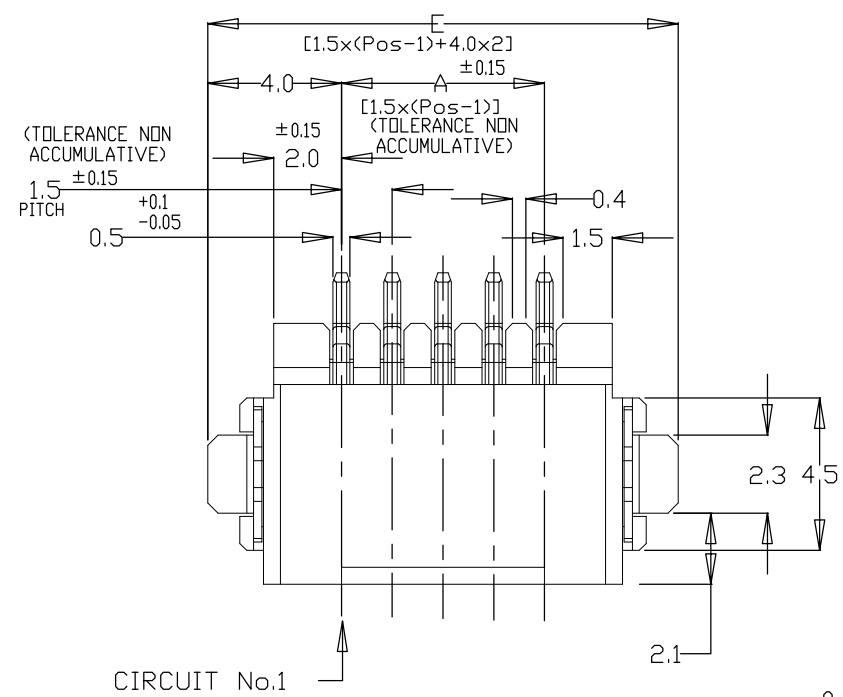
TAPE TYPE	W2	W1	F	E	D	C	B	A	QTY/REEL	POS	COLOR	ON TAPE P/N	
													DIMENSIONS
TYPE 2	61.5	57.5	6.2	52.4	30.5	56	37.1	±0.15	700	20	BLACK	7-292228-0	
	61.5	57.5	6.2	52.4	29.0	56	35.6	26.2	700	19		6-292228-9	
	49.5	45.5	6.2	40.4	27.5	44	34.1	20.2±0.15	700	18		6-292228-8	
	49.5	45.5	6.2	40.4	26.0	44	32.6		700	17		6-292228-7	
	49.5	45.5	6.2	40.4	24.5	44	31.1		700	16		6-292228-6	
	49.5	45.5	6.2	40.4	23.0	44	29.6		700	15		6-292228-5	
	49.5	45.5	6.2	40.4	21.5	44	28.1		700	14		6-292228-4	
	49.5	45.5	6.2	40.4	20.0	44	26.6		700	13		6-292228-3	
	49.5	45.5	6.2	40.4	18.5	44	25.1		700	12		6-292228-2	
	49.5	45.5	6.2	40.4	17.0	44	23.6		700	11		6-292228-1	
	37.5	33.5	6.2	28.4	15.5	32	22.1		14.2	700		10	6-292228-0
	37.5	33.5	6.2	28.4	14.0	32	20.6		14.2	700		9	5-292228-9
	37.5	33.5	6.2	28.4	12.5	32	19.1	14.2	700	8		5-292228-8	
	37.5	33.5	6.2	28.4	11.0	32	17.6	14.2	700	7		5-292228-7	
TYPE 1	29.5	25.5	6.2	-	9.5	24	16.1	11.5	700	6	5-292228-6		
	29.5	25.5	6.2	-	8.0	24	14.6	11.5	700	5	5-292228-5		
	29.5	25.5	6.2	-	6.5	24	13.1	11.5	700	4	5-292228-4		
	29.5	25.5	4.7	-	5.0	24	11.6	11.5	700	3	5-292228-3		
	29.5	25.5	2.8	-	3.5	24	10.1	11.5	700	2	5-292228-2		

TAPE TYPE	W2	W1	F	E	D	C	B	A	QTY/REEL	POS	COLOR	ON TAPE P/N	
													DIMENSIONS
TYPE 2	61.5	57.5	6.2	52.4	30.5	56	37.1	±0.15	700	20	BEIGE	2-292228-0	
	61.5	57.5	6.2	52.4	29.0	56	35.6	26.2	700	19		1-292228-9	
	49.5	45.5	6.2	40.4	27.5	44	34.1	20.2±0.15	700	18		1-292228-8	
	49.5	45.5	6.2	40.4	26.0	44	32.6		700	17		1-292228-7	
	49.5	45.5	6.2	40.4	24.5	44	31.1		700	16		1-292228-6	
	49.5	45.5	6.2	40.4	23.0	44	29.6		700	15		1-292228-5	
	49.5	45.5	6.2	40.4	21.5	44	28.1		700	14		1-292228-4	
	49.5	45.5	6.2	40.4	20.0	44	26.6		700	13		1-292228-3	
	49.5	45.5	6.2	40.4	18.5	44	25.1		700	12		1-292228-2	
	49.5	45.5	6.2	40.4	17.0	44	23.6		700	11		1-292228-1	
	37.5	33.5	6.2	28.4	15.5	32	22.1		14.2	700		10	1-292228-0
	37.5	33.5	6.2	28.4	14.0	32	20.6		14.2	700		9	292228-9
	37.5	33.5	6.2	28.4	12.5	32	19.1	14.2	700	8		292228-8	
	37.5	33.5	6.2	28.4	11.0	32	17.6	14.2	700	7		292228-7	
TYPE 1	29.5	25.5	6.2	-	9.5	24	16.1	11.5	700	6	292228-6		
	29.5	25.5	6.2	-	8.0	24	14.6	11.5	700	5	292228-5		
	29.5	25.5	6.2	-	6.5	24	13.1	11.5	700	4	292228-4		
	29.5	25.5	4.7	-	5.0	24	11.6	11.5	700	3	292228-3		
	29.5	25.5	2.8	-	3.5	24	10.1	11.5	700	2	292228-2		

THIS DRAWING IS A CONTROLLED DOCUMENT.		DWN	S.XU	31JAN03	STE TE Connectivity
		CHK	S.YAO	31JAN03	
		APVD	T.SASAKI	31JAN03	
DIMENSIONS: mm		TOLERANCES UNLESS OTHERWISE SPECIFIED:		NAME	
		0 PLC ± - 1 PLC ± - 2 PLC ± - 3 PLC ± - 4 PLC ± - ANGLES ± -		AMP Mini CT Connector 1.5mm PITCH	
		MATERIAL		FINISH	
		PRODUCT SPEC		SMT TYPE WITHOUT BOSS, EMBOSS TAPE PACKAGED	
		108-60018		SIZE	
		APPLICATION SPEC		CAGE CODE	
		114-5223		DRAWING NO	
		WEIGHT		RESTRICTED TO	
		CUSTOMER DRAWING		A300779 C-292228	
		SCALE		SHEET	
		NTS		2 OF 4	
				REV	
				C3	

THIS DRAWING IS UNPUBLISHED. RELEASED FOR PUBLICATION
 © COPYRIGHT - By - ALL RIGHTS RESERVED.

LOC	DIST	REVISIONS					
ES	00	P	LTR	DESCRIPTION	DATE	DWN	APVD
		-		SEE SHEET 1	-	-	-



NOTES:
 1.MATERIAL:
 HOUSING:6T NYLON(HIGH HEAT-RESISTED NYLON)G.F.30%
 UL94V-0, COLOR: BEIGE OR BLACK
 POST:TIN BRASS WIRE
 △ TO BE MEASURED WITH CONNECTOR PLACED ON HORIZONTAL DATUM SURFACE,
 FLOAT OF SOLDER TINE AND SOLDER PEG 0.1mm MAX.

THIS DRAWING IS A CONTROLLED DOCUMENT.		DWN	S.XU	31JAN03	 TE Connectivity	NAME		AMP Mini CT Connector 1.5mm PITCH							
DIMENSIONS: mm		CHK	S.YAO	31JAN03		PRODUCT SPEC		SINGLE ROW POST HDR ASS'Y (H)							
TOLERANCES UNLESS OTHERWISE SPECIFIED:		APVD	T.SASAKI	31JAN03		APPLICATION SPEC		SMT TYPE WITHOUT BOSS, EMBOSS TAPE PACKAGED							
0 PLC ± - 1 PLC ± - 2 PLC ± - 3 PLC ± - 4 PLC ± - ANGLES ± - MATERIAL FINISH		108-60018 114-5223		WEIGHT CUSTOMER DRAWING		SIZE	CAGE CODE	DRAWING NO	RESTRICTED TO						
						A300779		C-292228		SCALE	NTS	SHEET	3 OF 4	REV	C3

THIS DRAWING IS UNPUBLISHED. RELEASED FOR PUBLICATION
 © COPYRIGHT - By - ALL RIGHTS RESERVED.

LOC ES	DIST 00	REVISIONS			
P	LTR	DESCRIPTION	DATE	DWN	APVD
	-	SEE SHEET 1	-	-	-

1.078	36.5	34.5	30.6	28.5	20	7-292228-0	2-292228-0
1.033	35.0	33.0	29.1	27.0	19	6-292228-9	1-292228-9
0.988	33.5	31.5	27.6	25.5	18	6-292228-8	1-292228-8
0.942	32.0	30.0	26.1	24.0	17	6-292228-7	1-292228-7
0.896	30.5	28.5	24.6	22.5	16	6-292228-6	1-292228-6
0.850	29.0	27.0	23.1	21.0	15	6-292228-5	1-292228-5
0.804	27.5	25.5	21.6	19.5	14	6-292228-4	1-292228-4
0.759	26.0	24.0	20.1	18.0	13	6-292228-3	1-292228-3
0.713	24.5	22.5	18.6	16.5	12	6-292228-2	1-292228-2
0.667	23.0	21.0	17.1	15.0	11	6-292228-1	1-292228-1
0.621	21.5	19.5	15.6	13.5	10	6-292228-0	1-292228-0
0.576	20.0	18.0	14.1	12.0	9	5-292228-9	292228-9
0.530	18.5	16.5	12.6	10.5	8	5-292228-8	292228-8
0.484	17.0	15.0	11.1	9.0	7	5-292228-7	292228-7
0.438	15.5	13.5	9.6	7.5	6	5-292228-6	292228-6
0.392	14.0	12.0	8.1	6.0	5	5-292228-5	292228-5
0.347	12.5	10.5	6.6	4.5	4	5-292228-4	292228-4
0.301	11.0	9.0	5.1	3.0	3	5-292228-3	292228-3
0.255	9.5	7.5	3.6	1.5	2	5-292228-2	292228-2
WEIGHT (g)	E	C	B	A	Pos.	BLACK	BEIGE (NAT)
	DIMENSIONS					P/N	

THIS DRAWING IS A CONTROLLED DOCUMENT.		DWN S.XU	31JAN03	STE TE Connectivity	
DIMENSIONS: mm		CHK S.YAO	31JAN03		
TOLERANCES UNLESS OTHERWISE SPECIFIED:		APVD T.SASAKI	31JAN03	NAME AMP Mini CT Connector 1.5mm PITCH	
0 PLC ± -		PRODUCT SPEC		SINGLE ROW POST HDR ASS'Y (H)	
1 PLC ± -		108-60018		SMT TYPE WITHOUT BOSS, EMBOSS TAPE PACKAGED	
2 PLC ± -		APPLICATION SPEC		SIZE	CAGE CODE
3 PLC ± -		114-5223		DRAWING NO	RESTRICTED TO
4 PLC ± -		WEIGHT		A3	00779
ANGLES ± -		CUSTOMER DRAWING		C=292228	-
FINISH		SCALE		NTS	SHEET
		4 OF 4		REV	C3

X-ON Electronics

Largest Supplier of Electrical and Electronic Components

Click to view similar products for [Headers & Wire Housings](#) category:

Click to view products by [TE Connectivity](#) manufacturer:

Other Similar products are found below :

[892-18-020-10-001101](#) [58102-G61-06LF](#) [582553-1](#) [0009485154](#) [009176003701906](#) [0050291907](#) [LY20-4P-DT1-P1E-BR](#) [02.125.8002.8](#)
[609-3404](#) [61062-3](#) [61082-181009](#) [622-3653LF](#) [63453-116](#) [636-1030](#) [636-1427](#) [636-3427](#) [636-4007](#) [641938-9](#) [641991-4](#) [644827-2](#) [65817-010LF](#) [65817-015LF](#) [65863-015LF](#) [66207-023LF](#) [67095-007LF](#) [67601157](#) [68645-018](#) [68648-049](#) [70.362.1628.0](#) [70-4210](#) [70-4226B](#) [70-4853B](#) [707-5020](#) [707-5028](#) [71.350.2428.0](#) [71918-208LF](#) [71961-016LF](#) [733-134](#) [733-162](#) [754199-000](#) [760-3052](#) [787-8014-00](#) [79531-3000](#)
[FCN-360C032-B](#) [FCN-367T-T012/H](#) [FCN-723D010/2](#) [80.063.4001.1](#) [800-90-001-10-001000](#) [800-90-010-10-002000](#) [801-43-002-10-013000](#)