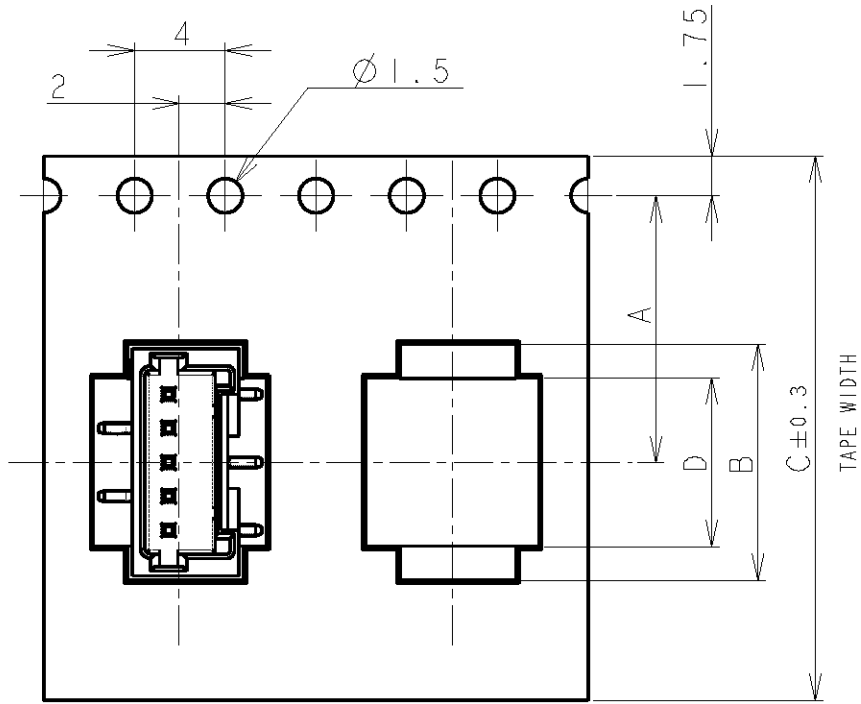


THIS DRAWING IS UNPUBLISHED.

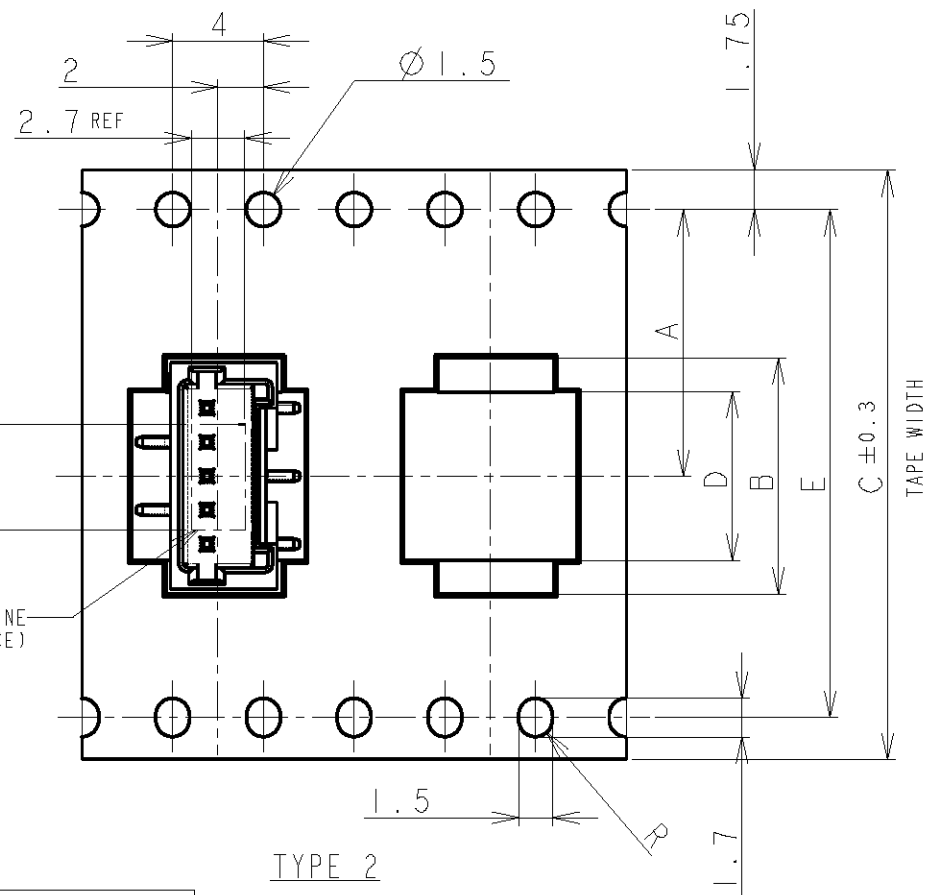
RELEASED FOR PUBLICATION

© COPYRIGHT BY ALL RIGHTS RESERVED.

| LOC | DIST | REVISIONS   |                           |        |      |     |
|-----|------|-------------|---------------------------|--------|------|-----|
| P   | LTR  | DESCRIPTION | DATE                      | DWN    | APVD |     |
| FB  | 00   | B1          | REVISED PER ECO-11-005033 | 2APR11 | RK   | HMR |

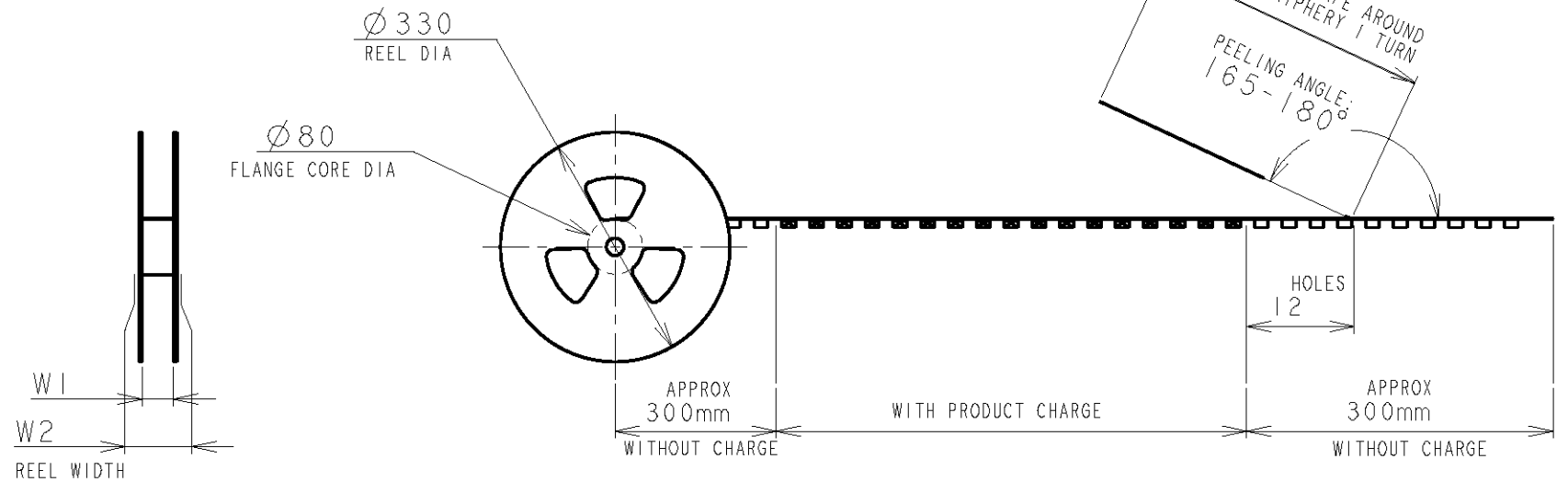
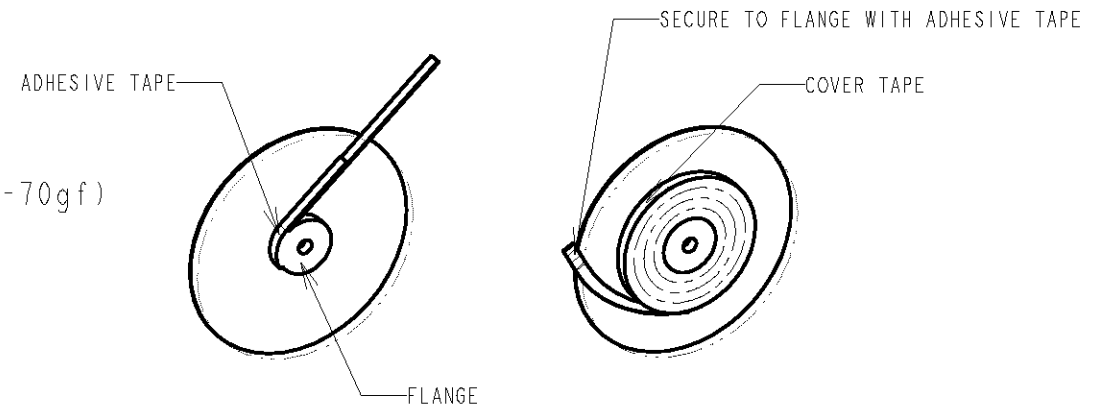


TYPE 1

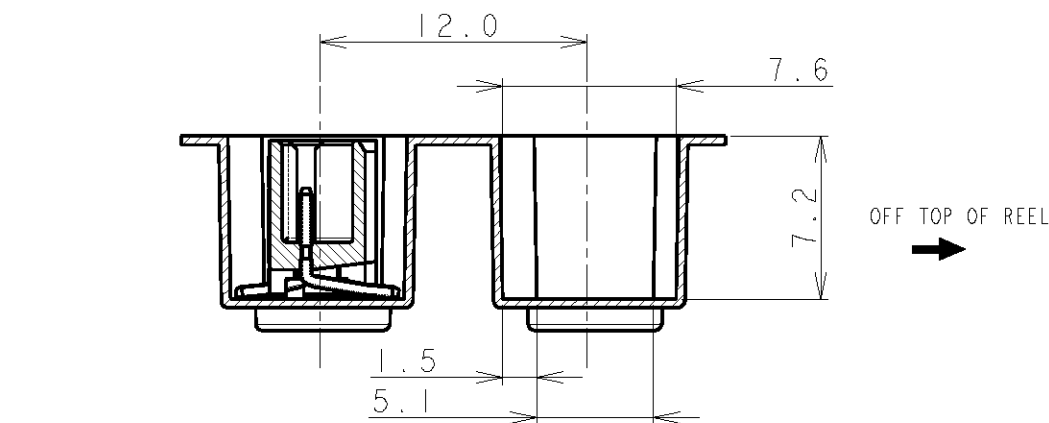


TYPE 2

NOTE:  
 1. PEELING STRENGTH: 0.20-0.69N (20-70gf)  
 PEELING ANGLE: 165-180°  
 PEELING SPEED: 300mm/MINUTE.



WIND COVER TAPE AROUND  
 OUTER PERIPHERY 1 TURN  
 PEELING ANGLE:  
 165-180°



VACUUM NOZZLE OUTLINE (FOR REFERENCE)

TOLERANCES UNLESS OTHERWISE SPECIFIED:

- 10 > : ±0.2
- 30 > \* > 10 : ±0.25
- 100 > \* > 30 : ±0.3
- ANGLE : ±3°


|                           |  |   |                 |
|---------------------------|--|---|-----------------|
| DWN S.XU 31JAN03          |  | <b>STE</b> TE Connectivity  |                 |
| CHK S.YAO 31JAN03         |  |   |                 |
| APVD T.SASAKI 31JAN03     |  | NAME AMP Mini Common Terminated (CT) Connector 1.5mm PITCH SINGLE ROW POST HDR ASS'Y (V) SMT TYPE WITH BOSS, EMBOSS TAPE PACKAGED |                 |
| PRODUCT SPEC 108-60018    |  | SIZE A3   | CAGE CODE 00779 |
| APPLICATION SPEC 114-5223 |  | DRAWING NO C-292230   | RESTRICTED TO - |
| MATERIAL - FINISH -       |  | SCALE NON   | SHEET 1 OF 4    |
| CUSTOMER DRAWING          |  | REV B1  |                 |

THIS DRAWING IS UNPUBLISHED. ALL RIGHTS RESERVED.

|     |      |           |     |             |      |     |      |
|-----|------|-----------|-----|-------------|------|-----|------|
| LOC | DIST | REVISIONS |     |             |      |     |      |
| FB  | 00   | P         | LTR | DESCRIPTION | DATE | DWN | APVD |
|     |      |           |     | SEE SHEET 1 |      |     |      |

| TAPE TYPE | W2     | W1   | F    | E    | D    | C    | B    | A         | QTY/REEL | POS  | COLOR      | ON TAPE P/N |            |            |
|-----------|--------|------|------|------|------|------|------|-----------|----------|------|------------|-------------|------------|------------|
|           |        |      |      |      |      |      |      |           |          |      |            |             | DIMENSIONS |            |
| TYPE 2    | 49.5   | 45.5 | 6.2  | 40.4 | 29.9 | 44   | 32.9 | 20.2±0.15 | 500      | 20   | BLACK      | 7-292230-0  |            |            |
|           | 49.5   | 45.5 | 4.7  | 40.4 | 28.4 | 44   | 31.4 |           | 500      | 19   |            | 6-292230-9  |            |            |
|           | 49.5   | 45.5 | 6.2  | 40.4 | 26.9 | 44   | 29.9 |           | 500      | 18   |            | 6-292230-8  |            |            |
|           | 49.5   | 45.5 | 4.7  | 40.4 | 25.4 | 44   | 28.4 |           | 500      | 17   |            | 6-292230-7  |            |            |
|           | 49.5   | 45.5 | 6.2  | 40.4 | 23.9 | 44   | 26.9 |           | 500      | 16   |            | 6-292230-6  |            |            |
|           | 49.5   | 45.5 | 4.7  | 40.4 | 22.4 | 44   | 25.4 |           | 500      | 15   |            | 6-292230-5  |            |            |
|           | 49.5   | 45.5 | 6.2  | 40.4 | 20.9 | 44   | 23.9 |           | 500      | 14   |            | 6-292230-4  |            |            |
|           | 49.5   | 45.5 | 4.7  | 40.4 | 19.4 | 44   | 22.4 |           | 500      | 13   |            | 6-292230-3  |            |            |
|           | 37.5   | 33.5 | 6.2  | 28.4 | 17.9 | 32   | 20.9 |           | 14.2     | 500  |            | 12          | 6-292230-2 |            |
|           | 37.5   | 33.5 | 4.7  | 28.4 | 16.4 | 32   | 19.4 |           | 14.2     | 500  |            | 11          | 6-292230-1 |            |
|           | 37.5   | 33.5 | 6.2  | 28.4 | 14.9 | 32   | 17.9 |           | 14.2     | 500  |            | 10          | 6-292230-0 |            |
|           | 37.5   | 33.5 | 4.7  | 28.4 | 13.4 | 32   | 16.4 |           | 14.2     | 500  |            | 9           | 5-292230-9 |            |
|           | TYPE 1 | 29.5 | 25.5 | 6.2  | -    | 11.9 | 24   |           | 14.9     | 11.5 |            | 500         | 8          | 5-292230-8 |
|           |        | 29.5 | 25.5 | 4.7  | -    | 10.4 | 24   |           | 13.4     | 11.5 |            | 500         | 7          | 5-292230-7 |
| 29.5      |        | 25.5 | 6.2  | -    | 8.9  | 24   | 11.9 | 11.5      | 500      | 6    | 5-292230-6 |             |            |            |
| 29.5      |        | 25.5 | 4.7  | -    | 7.4  | 24   | 10.4 | 11.5      | 500      | 5    | 5-292230-5 |             |            |            |
| 21.5      |        | 17.5 | 6.2  | -    | 5.9  | 16   | 8.9  | 7.5       | 500      | 4    | 5-292230-4 |             |            |            |
| 21.5      |        | 17.5 | 4.7  | -    | 4.4  | 16   | 7.4  | 7.5       | 500      | 3    | 5-292230-3 |             |            |            |
| 21.5      |        | 17.5 | 2.8  | -    | 2.9  | 16   | 5.9  | 7.5       | 500      | 2    | -          |             |            |            |

| TAPE TYPE | W2     | W1   | F    | E    | D    | C    | B    | A         | QTY/REEL | POS  | COLOR    | ON TAPE P/N |            |          |
|-----------|--------|------|------|------|------|------|------|-----------|----------|------|----------|-------------|------------|----------|
|           |        |      |      |      |      |      |      |           |          |      |          |             | DIMENSIONS |          |
| TYPE 2    | 49.5   | 45.5 | 6.2  | 40.4 | 29.9 | 44   | 32.9 | 20.2±0.15 | 500      | 20   | BEIGE    | 2-292230-0  |            |          |
|           | 49.5   | 45.5 | 4.7  | 40.4 | 28.4 | 44   | 31.4 |           | 500      | 19   |          | 1-292230-9  |            |          |
|           | 49.5   | 45.5 | 6.2  | 40.4 | 26.9 | 44   | 29.9 |           | 500      | 18   |          | 1-292230-8  |            |          |
|           | 49.5   | 45.5 | 4.7  | 40.4 | 25.4 | 44   | 28.4 |           | 500      | 17   |          | 1-292230-7  |            |          |
|           | 49.5   | 45.5 | 6.2  | 40.4 | 23.9 | 44   | 26.9 |           | 500      | 16   |          | 1-292230-6  |            |          |
|           | 49.5   | 45.5 | 4.7  | 40.4 | 22.4 | 44   | 25.4 |           | 500      | 15   |          | 1-292230-5  |            |          |
|           | 49.5   | 45.5 | 6.2  | 40.4 | 20.9 | 44   | 23.9 |           | 500      | 14   |          | 1-292230-4  |            |          |
|           | 49.5   | 45.5 | 4.7  | 40.4 | 19.4 | 44   | 22.4 |           | 500      | 13   |          | 1-292230-3  |            |          |
|           | 37.5   | 33.5 | 6.2  | 28.4 | 17.9 | 32   | 20.9 |           | 14.2     | 500  |          | 12          | 1-292230-2 |          |
|           | 37.5   | 33.5 | 4.7  | 28.4 | 16.4 | 32   | 19.4 |           | 14.2     | 500  |          | 11          | 1-292230-1 |          |
|           | 37.5   | 33.5 | 6.2  | 28.4 | 14.9 | 32   | 17.9 |           | 14.2     | 500  |          | 10          | 1-292230-0 |          |
|           | 37.5   | 33.5 | 4.7  | 28.4 | 13.4 | 32   | 16.4 |           | 14.2     | 500  |          | 9           | 292230-9   |          |
|           | TYPE 1 | 29.5 | 25.5 | 6.2  | -    | 11.9 | 24   |           | 14.9     | 11.5 |          | 500         | 8          | 292230-8 |
|           |        | 29.5 | 25.5 | 4.7  | -    | 10.4 | 24   |           | 13.4     | 11.5 |          | 500         | 7          | 292230-7 |
| 29.5      |        | 25.5 | 6.2  | -    | 8.9  | 24   | 11.9 | 11.5      | 500      | 6    | 292230-6 |             |            |          |
| 29.5      |        | 25.5 | 4.7  | -    | 7.4  | 24   | 10.4 | 11.5      | 500      | 5    | 292230-5 |             |            |          |
| 21.5      |        | 17.5 | 6.2  | -    | 5.9  | 16   | 8.9  | 7.5       | 500      | 4    | 292230-4 |             |            |          |
| 21.5      |        | 17.5 | 4.7  | -    | 4.4  | 16   | 7.4  | 7.5       | 500      | 3    | 292230-3 |             |            |          |
| 21.5      |        | 17.5 | 2.8  | -    | 2.9  | 16   | 5.9  | 7.5       | 500      | 2    | -        |             |            |          |

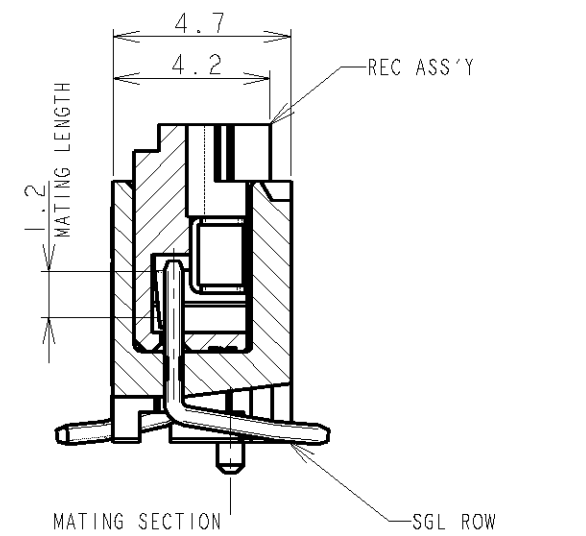
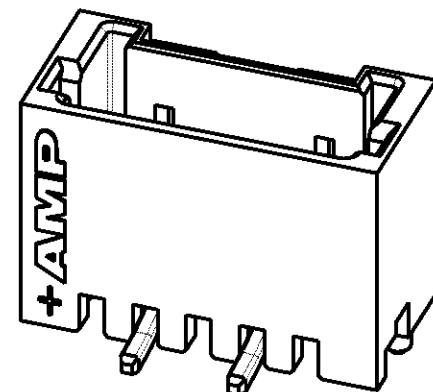
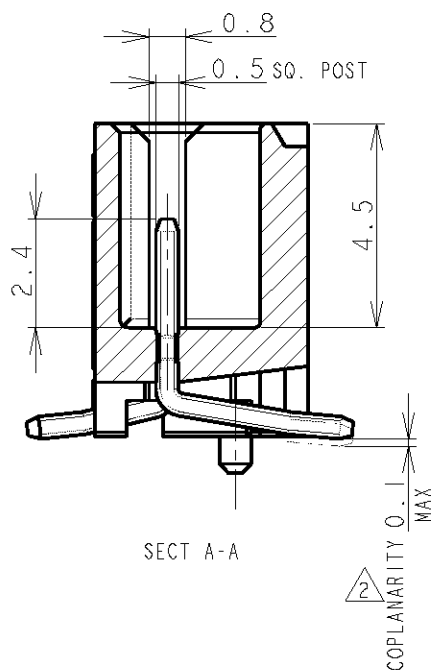
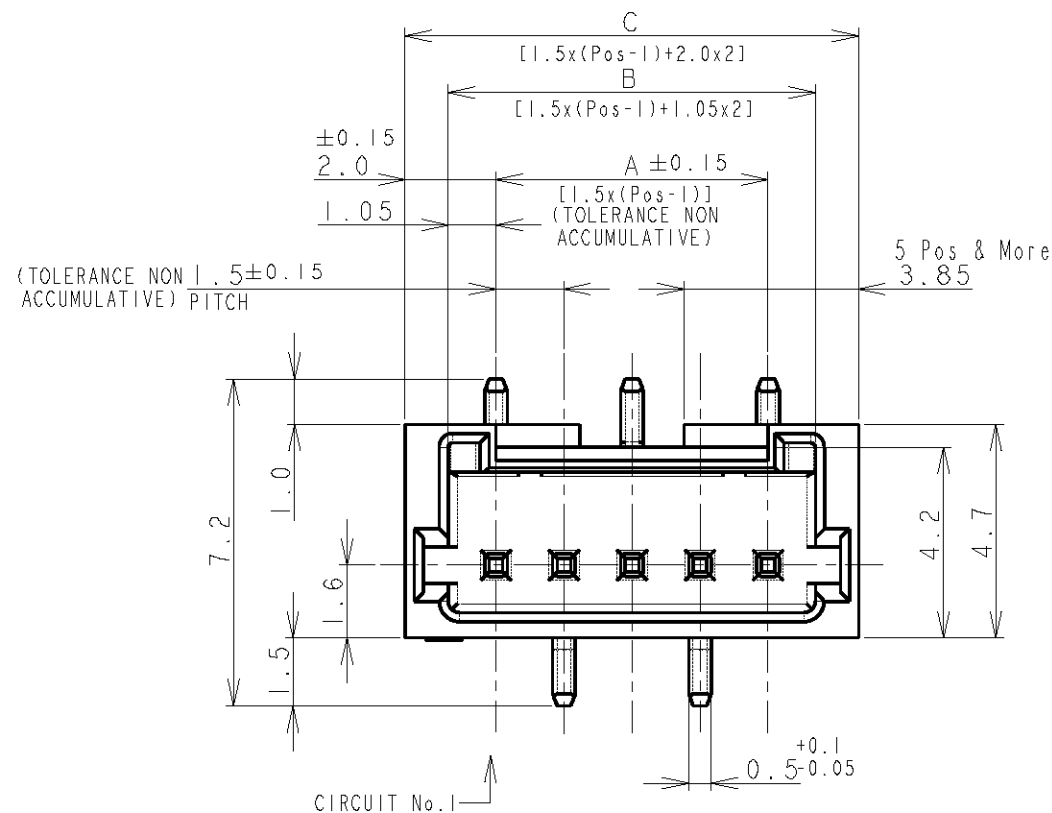
|   |   |  |            |
|---|---|--|------------|
| DIMENSIONS:<br>mm   | DWN   | MATERIAL   | FINISH     |
| TOLERANCES UNLESS OTHERWISE SPECIFIED:<br>0 PLC ±0.1<br>1 PLC ±0.01<br>2 PLC ±0.01<br>3 PLC ±0.001<br>4 PLC ±0.0001<br>ANGLES ± | CHK   |  |            |
| PRODUCT SPEC<br>SEE SHEET 1 OF 4  | APVD  |  |            |
| APPLICATION SPEC<br>SEE SHEET 1 OF 4  | NAME AMP Mini Common Terminated (CT) Connector 1.5mm PITCH<br>SINGLE ROW POST HDR ASS'Y (V)<br>SMT TYPE WITH BOSS, EMBOSS TAPE PACKAGED |  |            |
| WGT   | SIZE  | CAGE CODE  | DRAWING NO |
| CUSTOMER DRAWING  | A4  | 00779  | C=292230   |
|   | SCALE   | SHEET  | REV        |
|   | NON   | 2 OF 4   | B1         |

THIS DRAWING IS UNPUBLISHED.

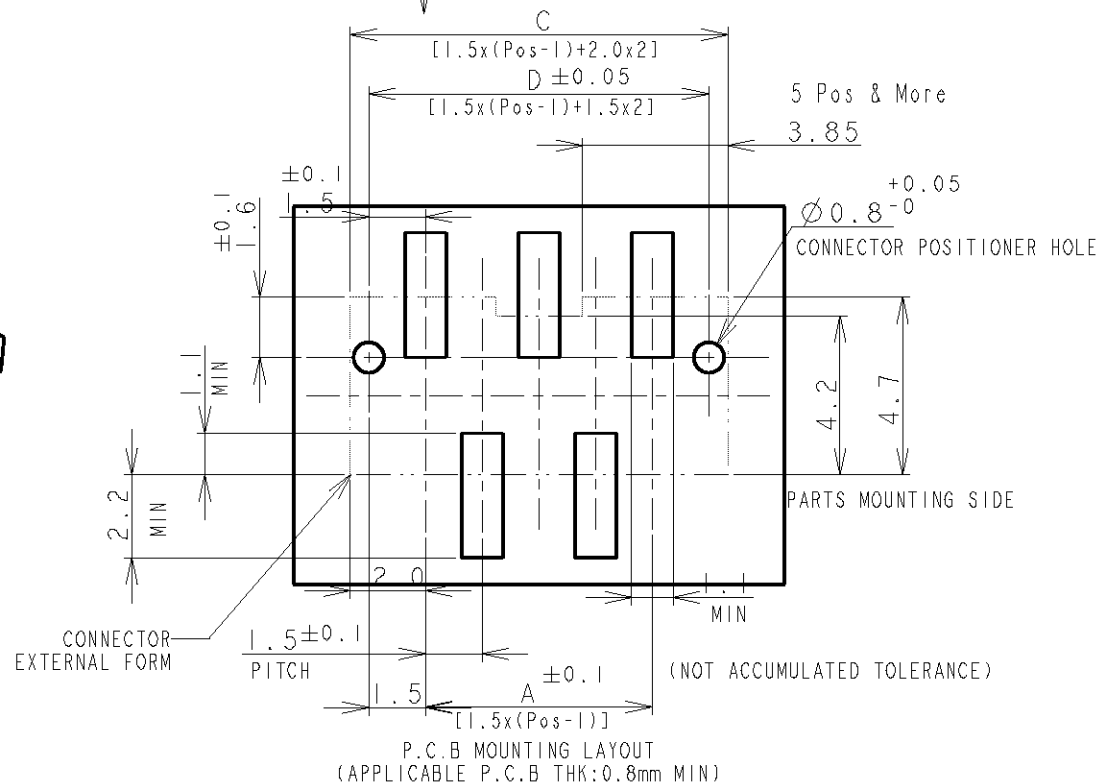
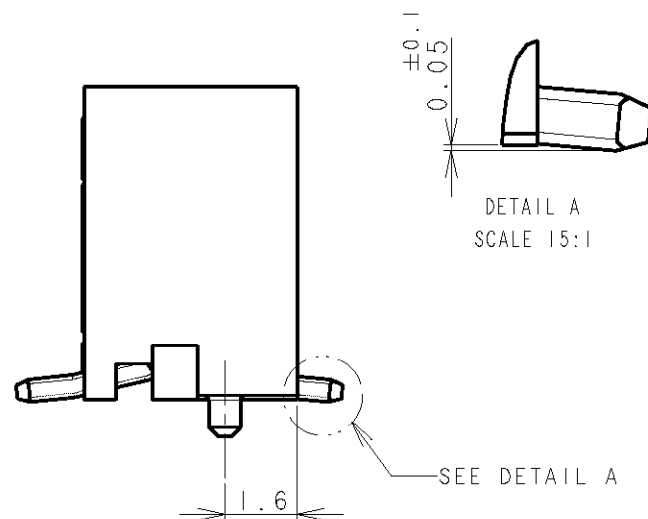
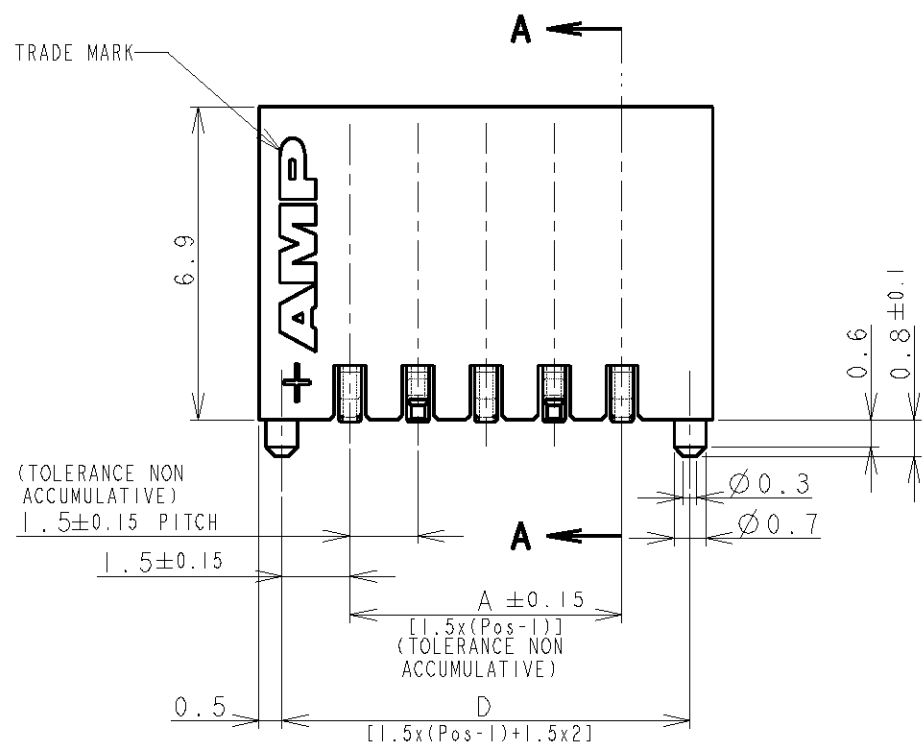
RELEASED FOR PUBLICATION

© COPYRIGHT BY ALL RIGHTS RESERVED.

| LOC | DIST | REVISIONS   |      |     |      |
|-----|------|-------------|------|-----|------|
| P   | LTR  | DESCRIPTION | DATE | DWN | APVD |
| FB  | 00   | SEE SHEET 1 |      |     |      |



CIRCUIT No. 1




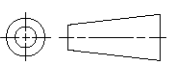
NOTES:  
 1. MATERIAL:  
 HOUSING: GLASS FILLED, HIGH HEAT RESISTANT NYLON, UL94V-0, COLOR: BEIGE OR BLACK  
 POST: Sn-100% BRASS WIRE  
 TO BE MEASURED WITH CONNECTOR PLACED ON HORIZONTAL DATUM SURFACE, FLOAT OF SOLDER TINE FROM DATUM SURFACE IS 0.1mm MAX.

|                  |  |  |           |
|------------------|--|--|-----------|
| DWN              |  | <b>STE</b> TE Connectivity   |           |
| CHK              |  |  |           |
| APVD             |  | NAME   |           |
| PRODUCT SPEC     |  | AMP MINI COMMON TERMINATION (CT) CONNECTOR 1.5 mm PITCH SINGLE ROW POST HDR ASS'Y (V) SMT TYPE WITH BOSS |           |
| APPLICATION SPEC |  | RESTRICTED TO  |           |
| WEIGHT           |  | SIZE   | CAGE CODE |
| MATERIAL         |  | DRAWING NO   |           |
| FINISH           |  | A3 00779 C-292230  |           |
| SEE NOTE 1       |  | CUSTOMER DRAWING   |           |
| SEE NOTE 1       |  | SCALE  | SHEET     |
|                  |  | NON  | 3 OF 4    |
|                  |  |  | REV B1    |

|     |      |           |     |             |      |     |      |
|-----|------|-----------|-----|-------------|------|-----|------|
| LOC | DIST | REVISIONS |     |             |      |     |      |
| FB  | 00   | P         | LTR | DESCRIPTION | DATE | DWN | APVD |
|     |      | -         |     | SEE SHEET 1 | -    | -   | -    |

|            |            |      |      |      |      |            |             |
|------------|------------|------|------|------|------|------------|-------------|
| 0.98       | 31.5       | 32.5 | 30.6 | 28.5 | 20   | 7-292230-0 | 2-292230-0  |
| 0.93       | 30.0       | 31.0 | 29.1 | 27.0 | 19   | 6-292230-9 | 1-292230-9  |
| 0.89       | 28.5       | 29.5 | 27.6 | 25.5 | 18   | 6-292230-8 | 1-292230-8  |
| 0.84       | 27.0       | 28.0 | 26.1 | 24.0 | 17   | 6-292230-7 | 1-292230-7  |
| 0.80       | 25.5       | 26.5 | 24.6 | 22.5 | 16   | 6-292230-6 | 1-292230-6  |
| 0.75       | 24.0       | 25.0 | 23.1 | 21.0 | 15   | 6-292230-5 | 1-292230-5  |
| 0.71       | 22.5       | 23.5 | 21.6 | 19.5 | 14   | 6-292230-4 | 1-292230-4  |
| 0.66       | 21.0       | 22.0 | 20.1 | 18.0 | 13   | 6-292230-3 | 1-292230-3  |
| 0.62       | 19.5       | 20.5 | 18.6 | 16.5 | 12   | 6-292230-2 | 1-292230-2  |
| 0.57       | 18.0       | 19.0 | 17.1 | 15.0 | 11   | 6-292230-1 | 1-292230-1  |
| 0.52       | 16.5       | 17.5 | 15.6 | 13.5 | 10   | 6-292230-0 | 1-292230-0  |
| 0.48       | 15.0       | 16.0 | 14.1 | 12.0 | 9    | 5-292230-9 | 292230-9    |
| 0.43       | 13.5       | 14.5 | 12.6 | 10.5 | 8    | 5-292230-8 | 292230-8    |
| 0.39       | 12.0       | 13.0 | 11.1 | 9.0  | 7    | 5-292230-7 | 292230-7    |
| 0.34       | 10.5       | 11.5 | 9.6  | 7.5  | 6    | 5-292230-6 | 292230-6    |
| 0.30       | 9.0        | 10.0 | 8.1  | 6.0  | 5    | 5-292230-5 | 292230-5    |
| 0.25       | 7.5        | 8.5  | 6.6  | 4.5  | 4    | 5-292230-4 | 292230-4    |
| 0.20       | 6.0        | 7.0  | 5.1  | 3.0  | 3    | 5-292230-3 | 292230-3    |
| 0.17       | 4.5        | 5.5  | 3.6  | 1.5  | 2    | -          | -           |
| WEIGHT (g) | D          | C    | B    | A    | Pos. | BLACK      | BEIGE (NAT) |
|            | DIMENSIONS |      |      |      |      | P/N        |             |

THIS DRAWING IS UNPUBLISHED. ALL RIGHTS RESERVED. BY COPYRIGHT

|   |                  |  |                     |
|---|------------------|--|---------------------|
| DIMENSIONS: mm  | DWN              | MATERIAL   | FINISH              |
| TOLERANCES UNLESS OTHERWISE SPECIFIED:  | CHK              | SEE SHEET 1  | SEE SHEET 1         |
| 0 PLC ±   | APVD             |  <b>TE Connectivity</b> |                     |
| 1 PLC ±   | PRODUCT SPEC     |  |                     |
| 2 PLC ±   | APPLICATION SPEC | NAME   |                     |
| 3 PLC ±   | WEIGHT           | AMP MINI COMMON TERMINATED (CT) CONNECTOR 1.5 mm PITCH   |                     |
| 4 PLC ±   | CUSTOMER DRAWING | SIZE   | RESTRICTED TO       |
| ANGLES ±  |                  | A4   |                     |
|  |                  | CAGE CODE  |                     |
|   |                  | 00779  |                     |
|   |                  | DRAWING NO   |                     |
|   |                  | C=292230   |                     |
|   |                  | SCALE  | SHEET 4 OF 4 REV B1 |
|   |                  | NON  |                     |

## X-ON Electronics

Largest Supplier of Electrical and Electronic Components

*Click to view similar products for [Headers & Wire Housings](#) category:*

*Click to view products by [TE Connectivity](#) manufacturer:*

Other Similar products are found below :

[892-18-020-10-001101](#) [58102-G61-06LF](#) [582553-1](#) [0009485154](#) [009176003701906](#) [0050291907](#) [LY20-4P-DT1-P1E-BR](#) [02.125.8002.8](#)  
[609-3404](#) [61062-3](#) [61082-181009](#) [622-3653LF](#) [63453-116](#) [636-1030](#) [636-1427](#) [636-3427](#) [636-4007](#) [641938-9](#) [641991-4](#) [644827-2](#) [65817-](#)  
[010LF](#) [65817-015LF](#) [65863-015LF](#) [66207-023LF](#) [67095-007LF](#) [67601157](#) [68645-018](#) [68648-049](#) [70.362.1628.0](#) [70-4210](#) [70-4226B](#) [70-](#)  
[4853B](#) [707-5020](#) [707-5028](#) [71.350.2428.0](#) [71918-208LF](#) [71961-016LF](#) [733-134](#) [733-162](#) [754199-000](#) [760-3052](#) [787-8014-00](#) [79531-3000](#)  
[FCN-360C032-B](#) [FCN-367T-T012/H](#) [FCN-723D010/2](#) [80.063.4001.1](#) [800-90-001-10-001000](#) [800-90-010-10-002000](#) [801-43-002-10-013000](#)