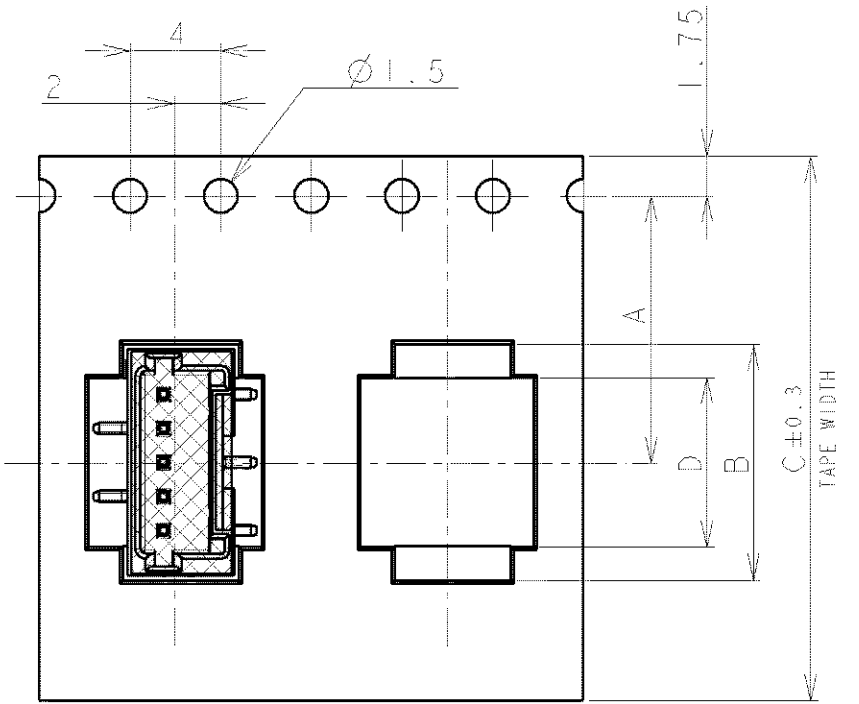


THIS DRAWING IS UNPUBLISHED.

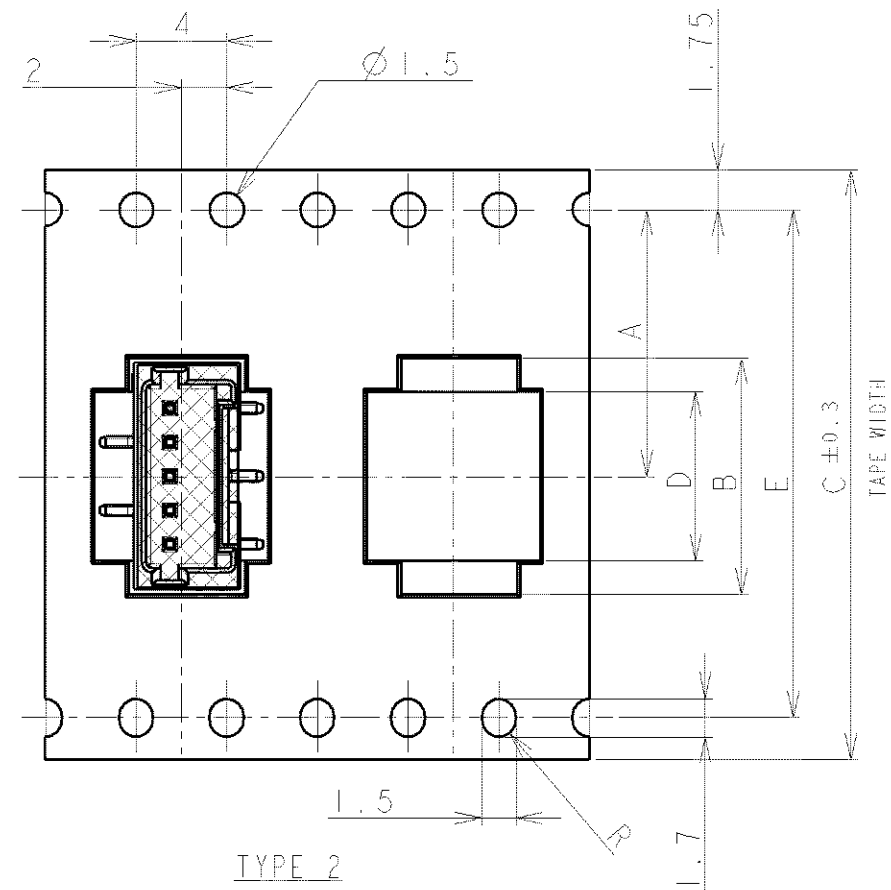
RELEASED FOR PUBLICATION

© COPYRIGHT BY ALL RIGHTS RESERVED

LOC	DIS1	REVISIONS			
P	LR	DESCRIPTION	DATE	DWN	APVD
FB	00				
	A2	REVISED PER	ECR-16-012124	07DEC16	T.Q W.H

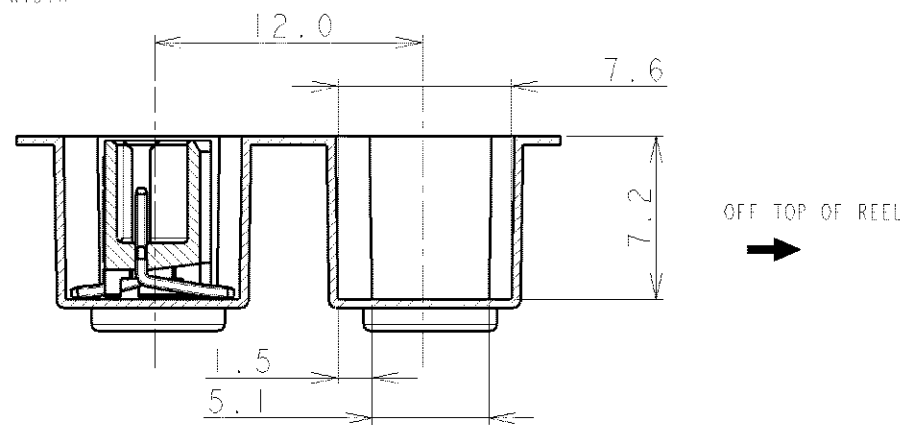
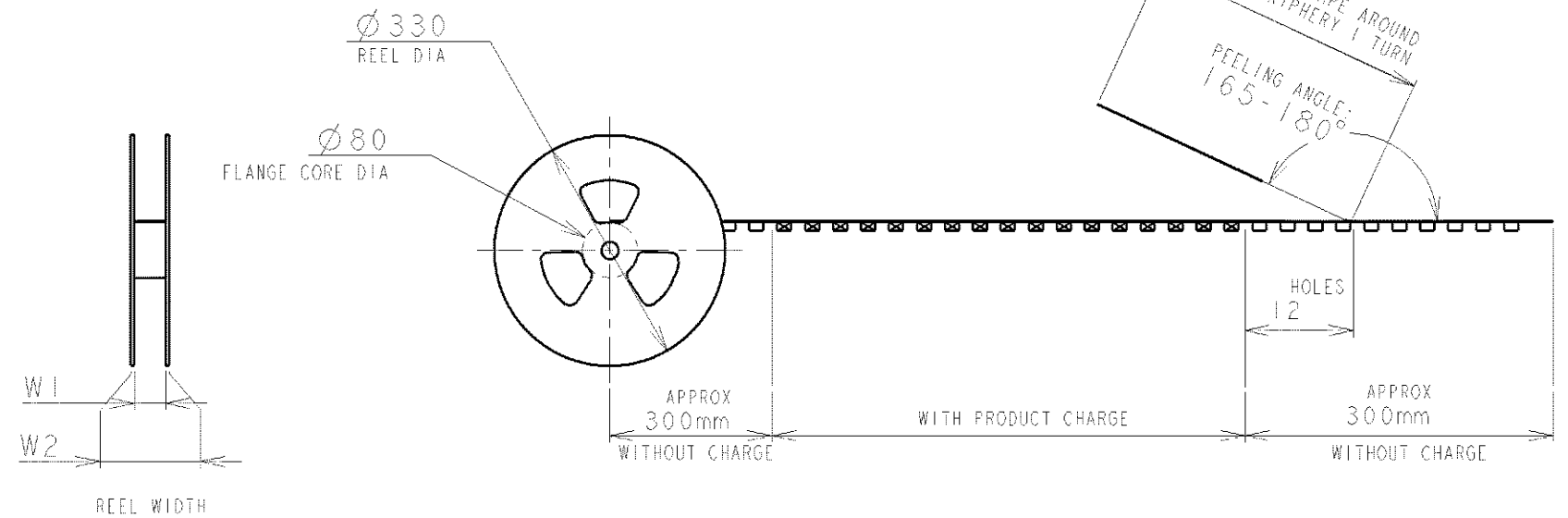
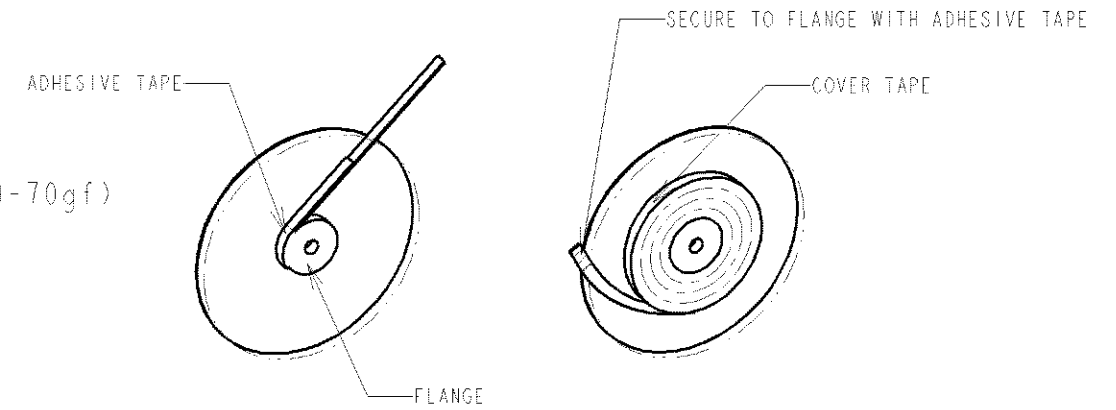


TYPE 1



TYPE 2

NOTE:
 1. PEELING STRENGTH: 0.20-0.69N (20-70gf)
 PEELING ANGLE: 165-180°
 PEELING SPEED: 300mm/MINUTE.



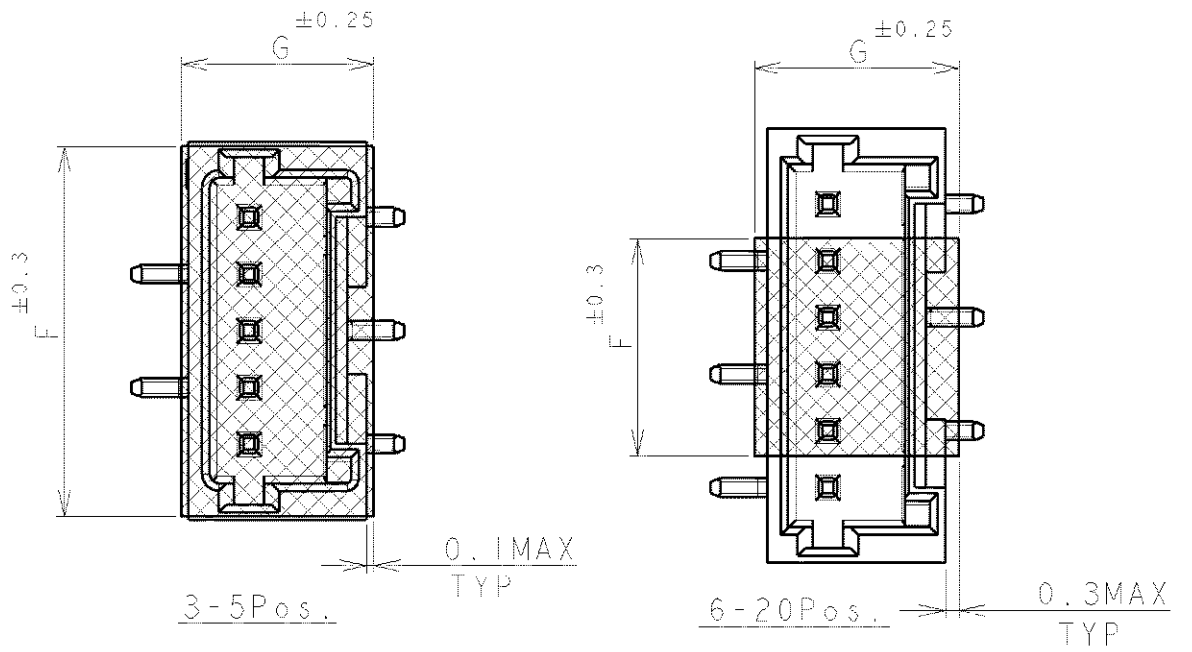
TOLERANCES UNLESS OTHERWISE SPECIFIED:

- 10 > : ±0.2
- 30 > * > 10 : ±0.25
- 100 > * > 30 : ±0.3
- ANGLE : ±3°

DIMENSIONS: mm	TOLERANCES UNLESS OTHERWISE SPECIFIED: 0 PLC ± 1 PLC ± 2 PLC ± 3 PLC ± 4 PLC ± ANGLES ±	DWN S.XU 31JAN03	STE TE Connectivity		
		CHK S.YAO 31JAN03			
MATERIAL	FINISH	APVD T.SASAKI 31JAN03	NAME AMP Mini Common Terminated (CT) Connector 1.5mm PITCH		
		PRODUCT SPEC 108-60018	SINGLE ROW POST HDR ASS'Y (V) SMT TYPE		
APPLICATION SPEC 114-5223		SIZE A3	CAGE CODE 00779	DRAWING NO C-292232	RESTRICTED TO
CUSTOMER DRAWING		SCALE NON		SHEET 1 OF 4	REV A2

THIS DRAWING IS UNPUBLISHED.
ALL RIGHTS RESERVED.

LOC	DIST	REVISIONS					
FB	00	P	LTR	DESCRIPTION	DATE	DWN	APVD
		SEE SHEET 1					



TYPE	DIMENSIONS									QTY/REEL	POS	COLOR	ON TAPE P/N	
	W2	W1	G	F	E	D	C	B	A					
TYPE 2	49.5	45.5	5.0	9.5	40.4	29.9	44	32.9	20.2±0.15	500	20	BEIGE	2-292232-0	
	49.5	45.5	5.0	9.5	40.4	28.4	44	31.4		500	19		1-292232-9	
	49.5	45.5	5.0	9.5	40.4	26.9	44	29.9		500	18		1-292232-8	
	49.5	45.5	5.0	9.5	40.4	25.4	44	28.4		500	17		1-292232-7	
	49.5	45.5	5.0	9.5	40.4	23.9	44	26.9		500	16		1-292232-6	
	49.5	45.5	5.0	9.5	40.4	22.4	44	25.4		500	15		1-292232-5	
	49.5	45.5	5.0	9.5	40.4	20.9	44	23.9		500	14		1-292232-4	
	49.5	45.5	5.0	9.5	40.4	19.4	44	22.4		500	13		1-292232-3	
	37.5	33.5	5.0	9.5	28.4	17.9	32	20.9		14.2	500		12	1-292232-2
	37.5	33.5	5.0	9.5	28.4	16.4	32	19.4		14.2	500		11	1-292232-1
TYPE 1	37.5	33.5	5.0	9.5	28.4	14.9	32	17.9	14.2	500	10	1-292232-0	1-292232-0	
	37.5	33.5	5.0	6.5	28.4	13.4	32	16.4	14.2	500	9	292232-9	292232-9	
	29.5	25.5	5.0	6.5	-	11.9	24	14.9	11.5	500	8	292232-8	292232-8	
	29.5	25.5	5.0	6.5	-	10.4	24	13.4	11.5	500	7	292232-7	292232-7	
	29.5	25.5	5.0	6.5	-	8.9	24	11.9	11.5	500	6	292232-6	292232-6	
	29.5	25.5	5.0	9.5	-	7.4	24	10.4	11.5	500	5	292232-5	292232-5	
	21.5	17.5	5.0	8.0	-	5.9	16	8.9	7.5	500	4	292232-4	292232-4	
	21.5	17.5	5.0	6.5	-	4.4	16	7.4	7.5	500	3	292232-3	292232-3	

DIMENSIONS:	
mm	
TOLERANCES UNLESS OTHERWISE SPECIFIED:	
0 PLC	±
1 PLC	±
2 PLC	±
3 PLC	±
4 PLC	±
ANGLES	±

DWN	
CHK	
APVD	
PRODUCT SPEC	SEE SHEET 1
APPLICATION SPEC	SEE SHEET 1
WEIGHT	
CUSTOMER DRAWING	

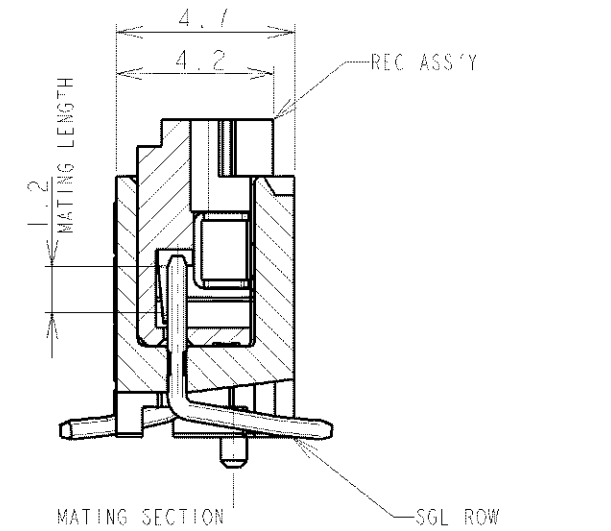
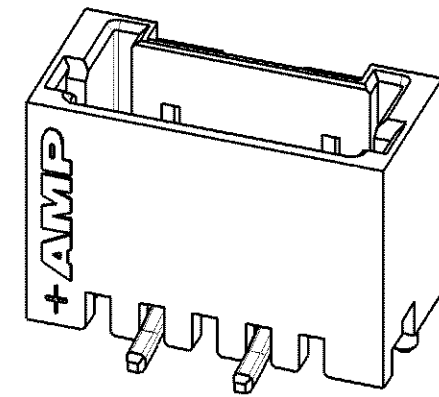
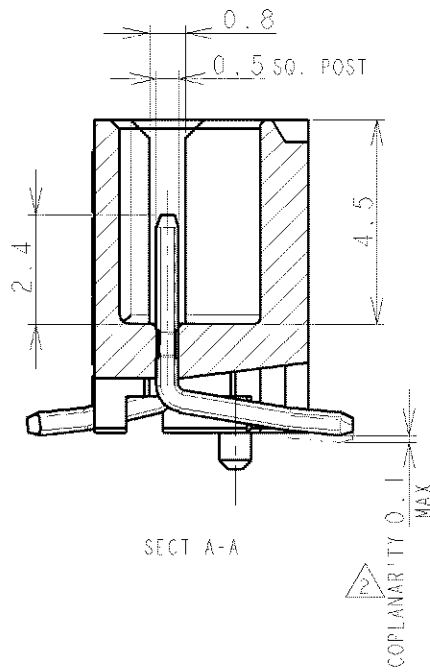
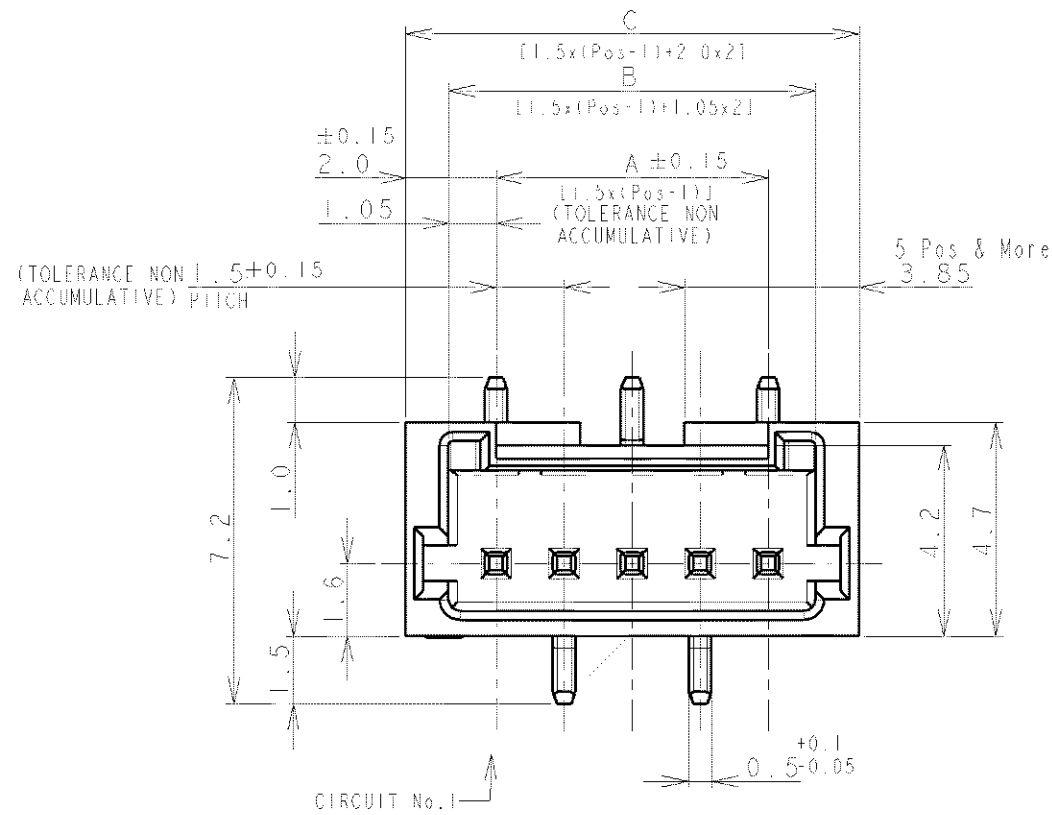
MATERIAL	FINISH
STE TE Connectivity	
NAME AMP Mini Common Terminated (CT) Connector 1.5mm PITCH SINGLE ROW POST HDR ASS'Y (V) SMT TYPE WITH POLYIMIDE TAPE, WITH DOSS, EMOSS TAPE PACKAGED	
SIZE	CAGE CODE
A4	00779
DRAWING NO	RESTRICTED TO
G=292232	-
SCALE	SHEET
NON	2 OF 4
REV	A2

THIS DRAWING IS UNPUBLISHED

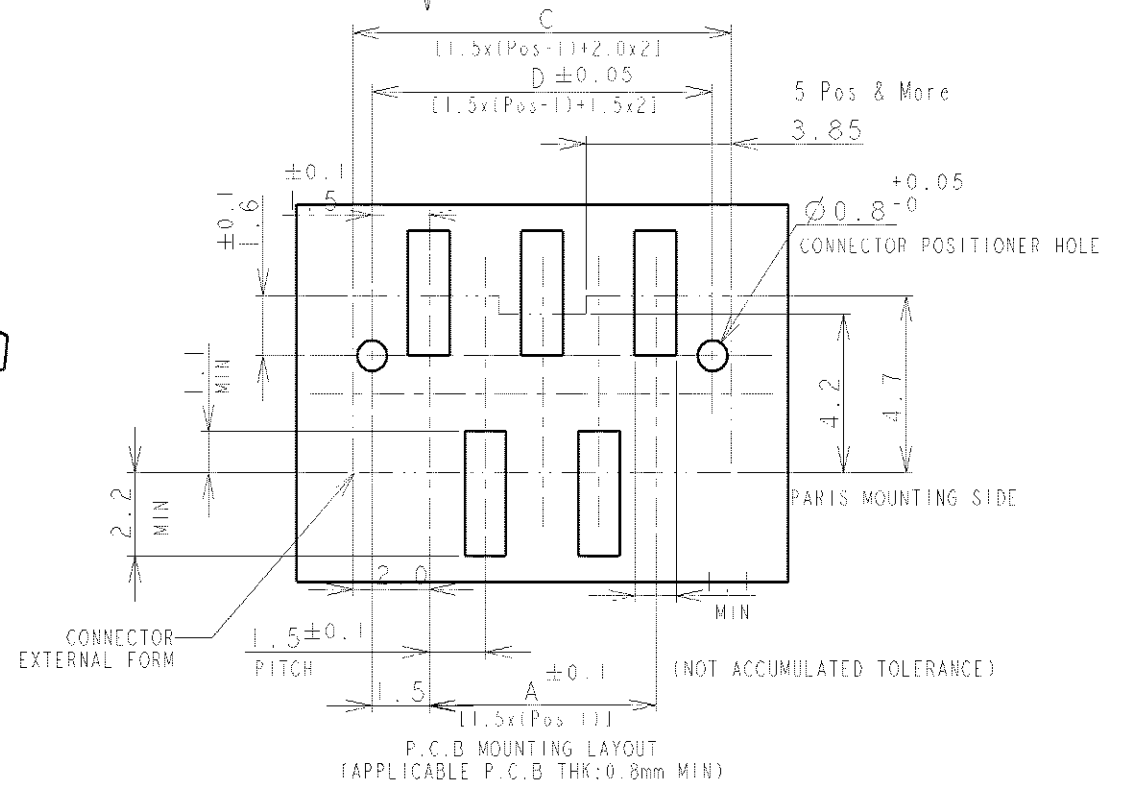
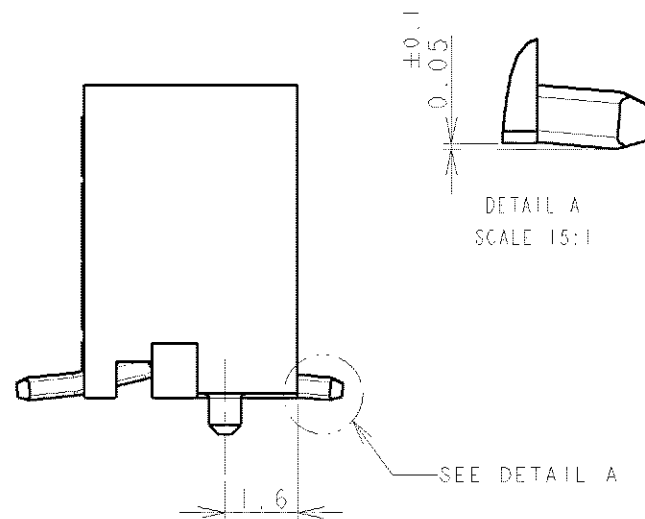
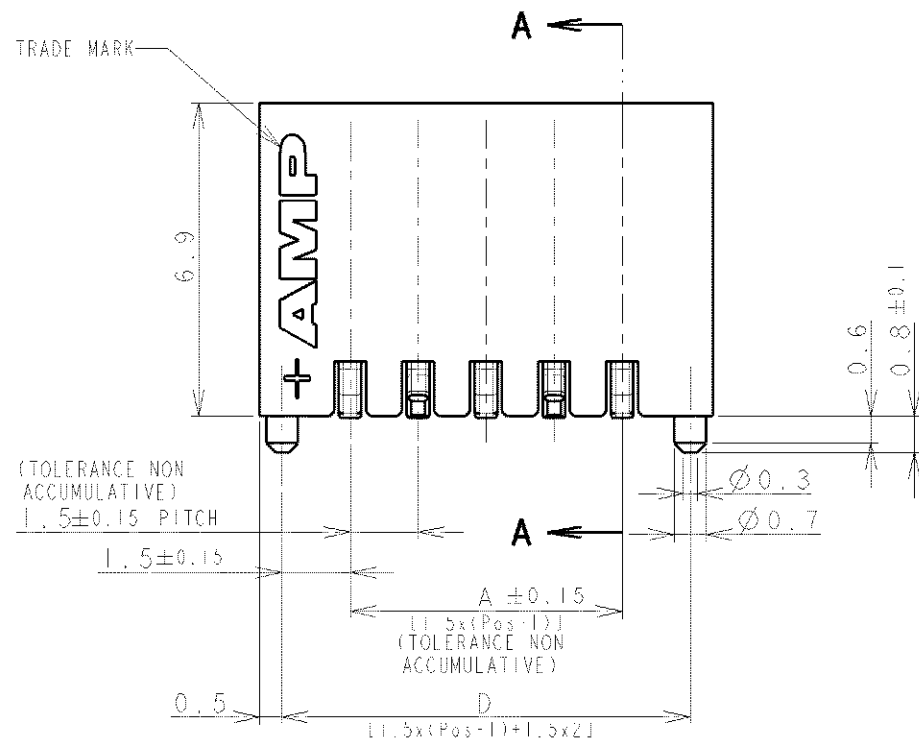
RELEASED FOR PUBLICATION

© COPYRIGHT BY ALL RIGHTS RESERVED.

LOC	DIST	REVISIONS			
P	LTR	DESCRIPTION	DATE	DWN	APVD
FB	00	SEE SHEET 1			



CIRCUIT No. 1



SHOWN AS WIHTOUT TAPE

NOTES:
 1. MATERIAL:
 HOUSING: GLASS FILLED, HIGH HEAT RESISTANT NYLON, UL94V-0, COLOR: BEIGE OR BLACK
 POST: Sn-100% BRASS WIRE
 TO BE MEASURED WITH CONNECTOR PLACED ON HORIZONTAL DATUM SURFACE,
 FLOAT OF SOLDER TINE FROM DATUM SURFACE IS 0.1mm MAX.

DWN		TE Connectivity			
CHK					
APVD		NAME			
PRODUCT SPEC		AMP MINI COMMON TERMINATION (CT) CONNECTOR 1.5 mm PITCH SINGLE ROW POST HDR ASS'Y (V) SMT TYPE WITH BOSS			
APPLICATION SPEC		RESTRICTED TO			
WEIGHT		SIZE	CAGE CODE	DRAWING NO	RESTRICTED TO
MATERIAL		A3		00779	C-292232
FINISH		CUSTOMER DRAWING		SCALE	SHEET
SEE NOTE 1		SEE NOTE 1		NON	3 OF 4
				REV	A2

RELEASED FOR PUBLICATION

ALL RIGHTS RESERVED.

BY

COPYRIGHT



LOC	DIST	REVISIONS					
FB	00	P	LTR	DESCRIPTION	DATE	DWN	APVD
				SEE SHEET 1	-	-	-

0.98	31.5	32.5	30.6	28.5	20	2-292232-0
0.93	30.0	31.0	29.1	27.0	19	1-292232-9
0.89	28.5	29.5	27.6	25.5	18	1-292232-8
0.84	27.0	28.0	26.1	24.0	17	1-292232-7
0.80	25.5	26.5	24.6	22.5	16	1-292232-6
0.75	24.0	25.0	23.1	21.0	15	1-292232-5
0.71	22.5	23.5	21.6	19.5	14	1-292232-4
0.66	21.0	22.0	20.1	18.0	13	1-292232-3
0.62	19.5	20.5	18.6	16.5	12	1-292232-2
0.57	18.0	19.0	17.1	15.0	11	1-292232-1
0.52	16.5	17.5	15.6	13.5	10	1-292232-0
0.48	15.0	16.0	14.1	12.0	9	292232-9
0.43	13.5	14.5	12.6	10.5	8	292232-8
0.39	12.0	13.0	11.1	9.0	7	292232-7
0.34	10.5	11.5	9.6	7.5	6	292232-6
0.30	9.0	10.0	8.1	6.0	5	292232-5
0.25	7.5	8.5	6.6	4.5	4	292232-4
0.20	6.0	7.0	5.1	3.0	3	292232-3
WEIGHT (g)	D	C	B	A	Pos.	BEIGE (NAT)
	DIMENSIONS					P/N

DIMENSIONS: mm	DWN	MATERIAL	FINISH
TOLERANCES UNLESS OTHERWISE SPECIFIED:	CHK	SEE SHEET 1	SEE SHEET 1
0 PLC ±	APVD		
1 PLC ±	PRODUCT SPEC		
2 PLC ±	APPLICATION SPEC	NAME	
3 PLC ±	WEIGHT	AMP MINI COMMON TERMINATED (CT) CONNECTOR 1.5 mm PITCH	
4 PLC ±	CUSTOMER DRAWING	SINGLE ROW POST HDR ASS'Y (V) SMT TYPE WITH BOSS	
ANGLES ±		SIZE	RESTRICTED TO
		A4	
		CAGE CODE	
		DRAWING NO	
		G=292232	
		SCALE	REV
		NON	A2
		SHEET 4	OF 4

X-ON Electronics

Largest Supplier of Electrical and Electronic Components

Click to view similar products for [Headers & Wire Housings](#) category:

Click to view products by [TE Connectivity](#) manufacturer:

Other Similar products are found below :

[892-18-020-10-001101](#) [58102-G61-06LF](#) [582553-1](#) [0009485154](#) [009176003701906](#) [0050291907](#) [LY20-4P-DT1-P1E-BR](#) [02.125.8002.8](#)
[609-3404](#) [61062-3](#) [61082-181009](#) [622-3653LF](#) [63453-116](#) [636-1030](#) [636-1427](#) [636-3427](#) [636-4007](#) [641938-9](#) [641991-4](#) [644827-2](#) [65817-](#)
[010LF](#) [65817-015LF](#) [65863-015LF](#) [66207-023LF](#) [67095-007LF](#) [67601157](#) [68645-018](#) [68648-049](#) [70.362.1628.0](#) [70-4210](#) [70-4226B](#) [70-](#)
[4853B](#) [707-5020](#) [707-5028](#) [71.350.2428.0](#) [71918-208LF](#) [71961-016LF](#) [733-134](#) [733-162](#) [754199-000](#) [760-3052](#) [79531-3000](#) [FCN-](#)
[360C032-B](#) [FCN-367T-T012/H](#) [FCN-723D010/2](#) [80.063.4001.1](#) [800-90-010-10-002000](#) [801-43-002-10-013000](#) [801-43-006-10-002000](#)
[801-93-011-10-001000](#)