

4

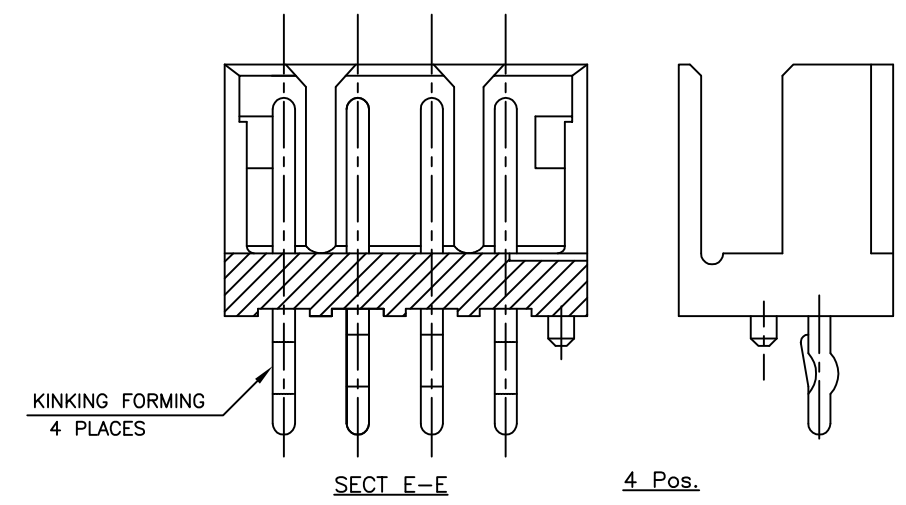
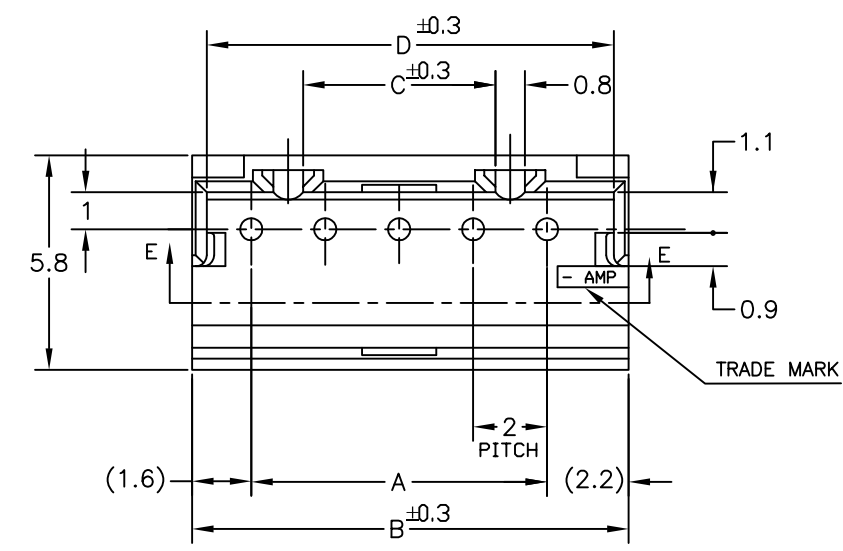
3

2

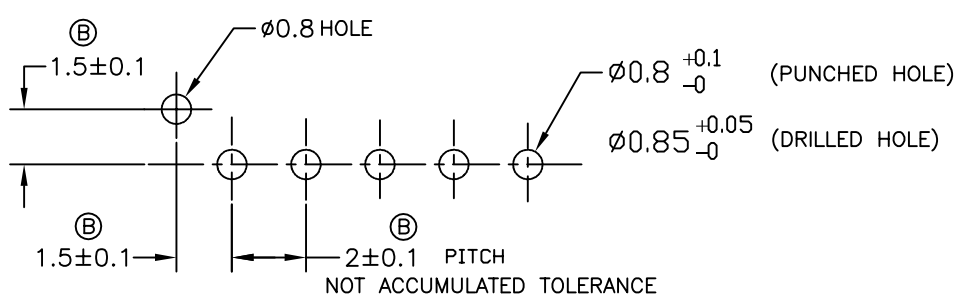
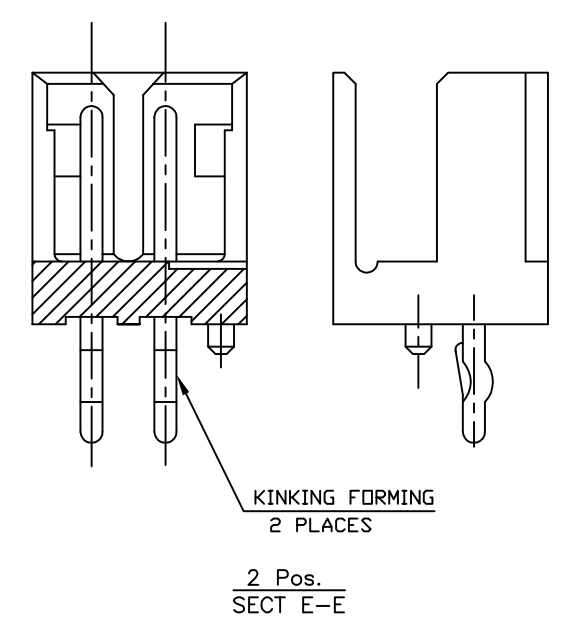
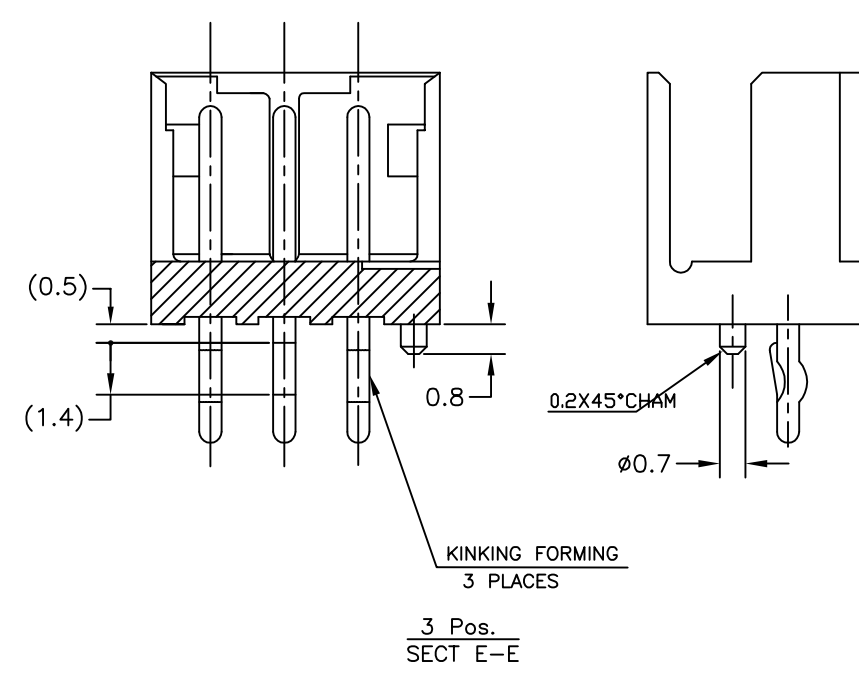
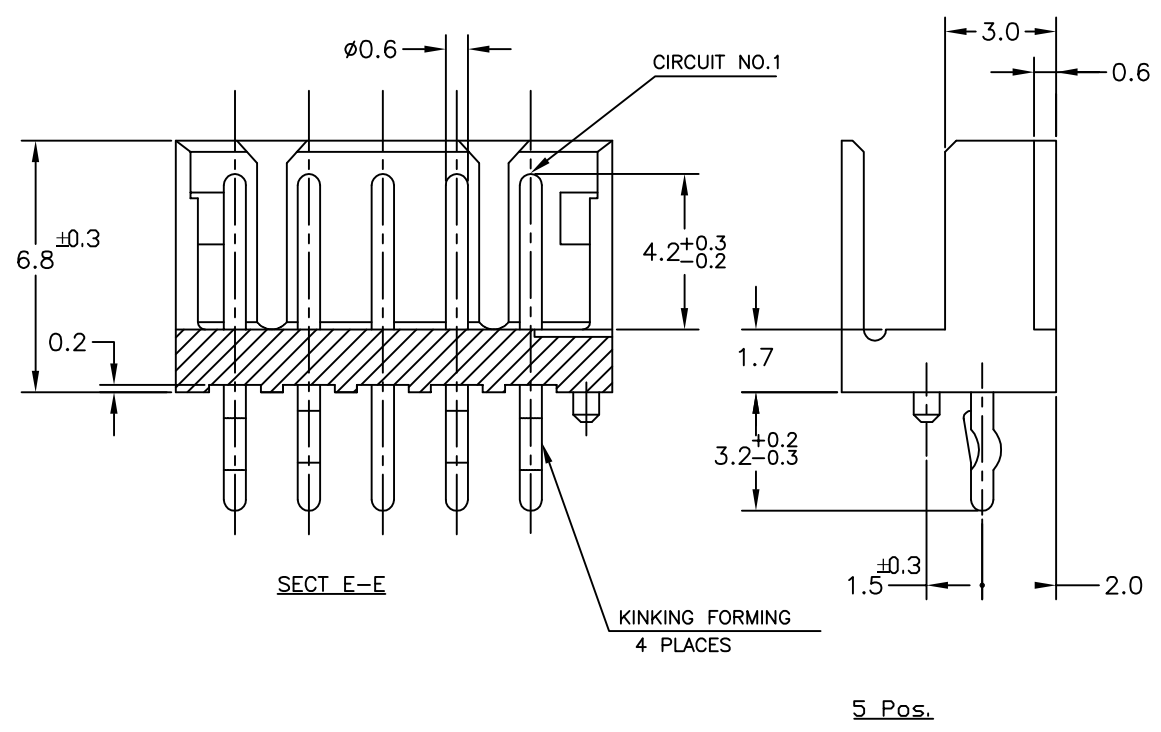
1

THIS DRAWING IS UNPUBLISHED. RELEASED FOR PUBLICATION  
 © COPYRIGHT - By - ALL RIGHTS RESERVED.


|     |      |           |     |               |           |     |      |
|-----|------|-----------|-----|---------------|-----------|-----|------|
| LOC | DIST | REVISIONS |     |               |           |     |      |
| ES  | 00   | P         | LTR | DESCRIPTION   | DATE      | DWN | APVD |
|     |      | B2        |     | ECR-14-006619 | 12MAY2014 | T.Q | W.H  |



NOTES:  
 1. MATERIAL: HOUSING - NYLON 66 (UL94V-0)  
 POST - TIN BRASS



RECOMMENDABLE PCB LAYOUT  
 (PCB THK: 0.8-1.6)

|   |          |              |           |                   |  |            |               |
|---|----------|--------------|-----------|-------------------|--|------------|---------------|
| THIS DRAWING IS A CONTROLLED DOCUMENT.                          |          | DWN          | S.XU      | 06NOV03           |  <b>TE Connectivity</b> |            |               |
| DIMENSIONS: mm  |          | CHK          | S.YAO     | 06NOV03           |  |            |               |
| TOLERANCES UNLESS OTHERWISE SPECIFIED: ±0.2                     |          | APVD         | T. SASAKI | 06NOV03           |  |            |               |
| 0-PLC ±<br>1-PLC ±<br>2-PLC ±<br>3-PLC ±<br>4-PLC ±<br>ANGLES ± |          | PRODUCT SPEC | 108-60016 |                   |  |            |               |
| MATERIAL  | SEE NOTE | FINISH       | SEE NOTE  | APPLICATION SPEC  | NAME   |            |               |
|   |          |              |           | SIZE              | CAGE CODE  | DRAWING NO | RESTRICTED TO |
|   |          |              |           | A3 00779 C-292251 |  |            |               |
|   |          |              |           | CUSTOMER DRAWING  | SCALE  | SHEET      | REV           |
|   |          |              |           |                   | 5:1  | 1 of 2     | B2            |

4

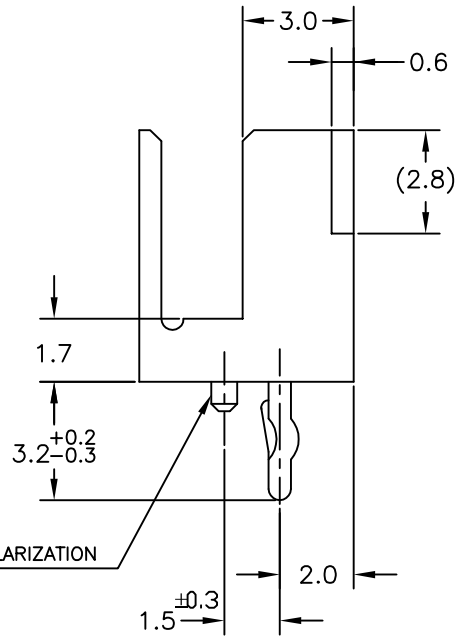
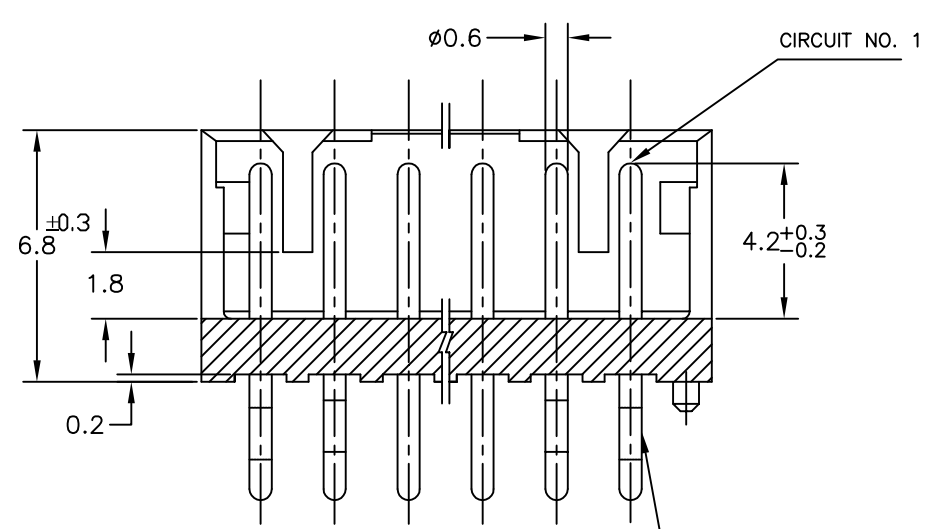
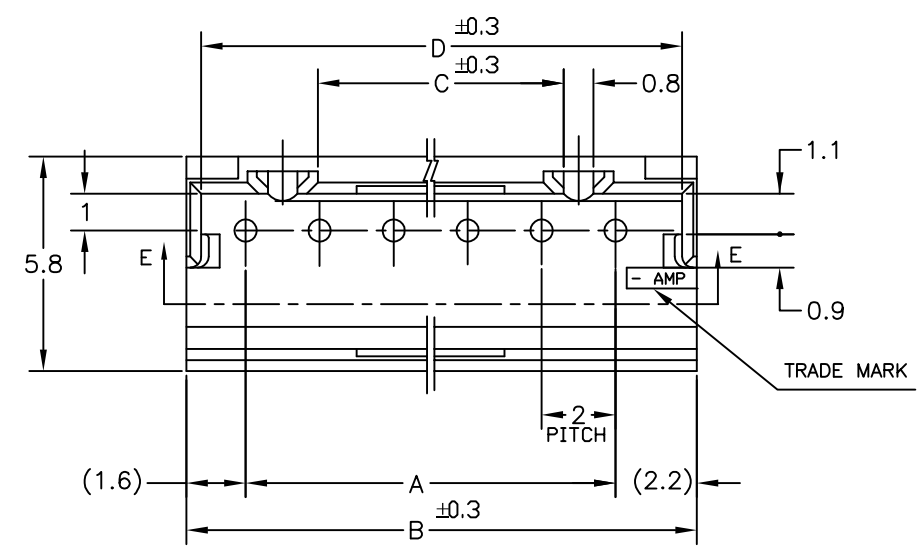
3

2

1

THIS DRAWING IS UNPUBLISHED. RELEASED FOR PUBLICATION  
 © COPYRIGHT - By - ALL RIGHTS RESERVED.

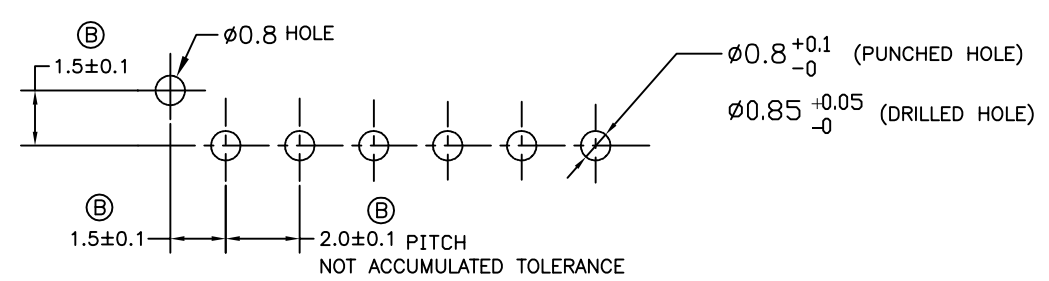
| LOC | DIST | REVISIONS   |      |     |      |  |
|-----|------|-------------|------|-----|------|--|
| P   | LTR  | DESCRIPTION | DATE | DWN | APVD |  |
| ES  | 00   | SEE SHEET 1 | -    | -   | -    |  |



NOTES:

1. MATERIAL: HOUSING - NYLON 66 (UL94V-0)  
 POST - TIN BRASS

|  |            |    |          |      |      |      |      |     |
|--|------------|----|----------|------|------|------|------|-----|
|  | 1-292251-5 | 15 | 28       | 31.8 | 25.2 | 31.0 |      |     |
|  | 1-         | -4 | 14       | 26   | 29.8 | 23.2 | 29.0 |     |
|  | 1-         | -3 | 13       | 24   | 27.8 | 21.2 | 27.0 |     |
|  | 1-         | -2 | 12       | 22   | 25.8 | 19.2 | 25.0 |     |
|  | 1-         | -1 | 11       | 20   | 23.8 | 17.2 | 23.0 |     |
|  | 1-         | -0 | 10       | 18   | 21.8 | 15.2 | 21.0 |     |
|  |            | -9 | 9        | 16   | 19.8 | 13.2 | 19.0 |     |
|  |            | -8 | 8        | 14   | 17.8 | 11.2 | 17.0 |     |
|  |            | -7 | 7        | 12   | 15.8 | 9.2  | 15.0 |     |
|  |            | -6 | 6        | 10   | 13.8 | 7.2  | 13.0 |     |
|  |            | -5 | 5        | 8    | 11.8 | 5.2  | 11.0 |     |
|  | 2-292251-4 |    | -4       | 4    | 6    | 9.8  | 3.2  | 9.0 |
|  |            |    | -3       | 3    | 4    | 7.8  | 0    | 7.0 |
|  | 2-292251-2 |    | 292251-2 | 2    | 2    | 5.8  | 0    | 5.0 |
|  | BLUE       |    | NATURAL  |      |      |      |      |     |
|  | PART NO.   |    | Pos.     | A    | B    | C    | D    |     |



RECOMMENDABLE PCB LAYOUT  
 (PCB THK: 0.8-1.6)

|   |  |                  |  |           |            |               |
|---|--|------------------|--|-----------|------------|---------------|
| THIS DRAWING IS A CONTROLLED DOCUMENT.      |  | DWN              | TE Connectivity  |           |            |               |
| DIMENSIONS: mm                              |  | CHK              | NAME   |           |            |               |
| TOLERANCES UNLESS OTHERWISE SPECIFIED: ±0.2 |  | APVD             | POST HEADER ASS'Y POLARIZE TYPE (BOX-V TYPE)<br>(AMP CT CONNECTOR 2mm PITCH) |           |            |               |
| 6 PLC ±                                     |  | PRODUCT SPEC     | SIZE   | CAGE CODE | DRAWING NO | RESTRICTED TO |
| 1 PLC ±                                     |  | APPLICATION SPEC | A3   | 00779     | C-292251   |               |
| 2 PLC ±                                     |  | WEIGHT           | CUSTOMER DRAWING   |           | SCALE      | SHEET         |
| 3 PLC ±                                     |  |                  |  |           | 5:1        | 2 of 2        |
| 4 PLC ±                                     |  |                  |  |           |            | REV           |
| ANGLES ±                                    |  |                  |  |           |            | B2            |
| FINISH                                      |  |                  |  |           |            |               |

## X-ON Electronics

Largest Supplier of Electrical and Electronic Components

*Click to view similar products for [Headers & Wire Housings](#) category:*

*Click to view products by [TE Connectivity](#) manufacturer:*

Other Similar products are found below :

[95000-104TRLF](#) [10135584-644402LF](#) [DF62W-EP2022PCA](#) [95000-106TRLF](#) [DF62W-2022SCA](#) [DF62W-EP2022PC](#) [2203348](#) [DF62W-2022SC](#) [1084018](#) [1029039](#) [1084017](#) [802-10-012-10-002000](#) [1112640](#) [1112639](#) [000-34000](#) [0009482033](#) [0009507031](#) [57102-S06-03LF](#) [57202-S52-04LF](#) [PCN6-15S-2.5E](#) [0039019024](#) [58102-G61-06LF](#) [582553-1](#) [0009508121](#) [0050291907](#) [018731A](#) [LY20-4P-DT1-P1E-BR](#) [02.125.8002.8](#) [60101931](#) [60598-1 \(Cut Strip\)](#) [M1625-3R/100](#) [61062-3](#) [61082-181009](#) [636-1427](#) [638009-1](#) [641938-9](#) [641991-4](#) [644168-1](#) [647662-1](#) [65039-019ELF](#) [65817-002LF](#) [65817-015LF](#) [65863-015LF](#) [66207-023LF](#) [67016-026LF](#) [67046-001LF](#) [67095-007LF](#) [68002-116](#) [68016-236H](#) [68648-049](#)