

4

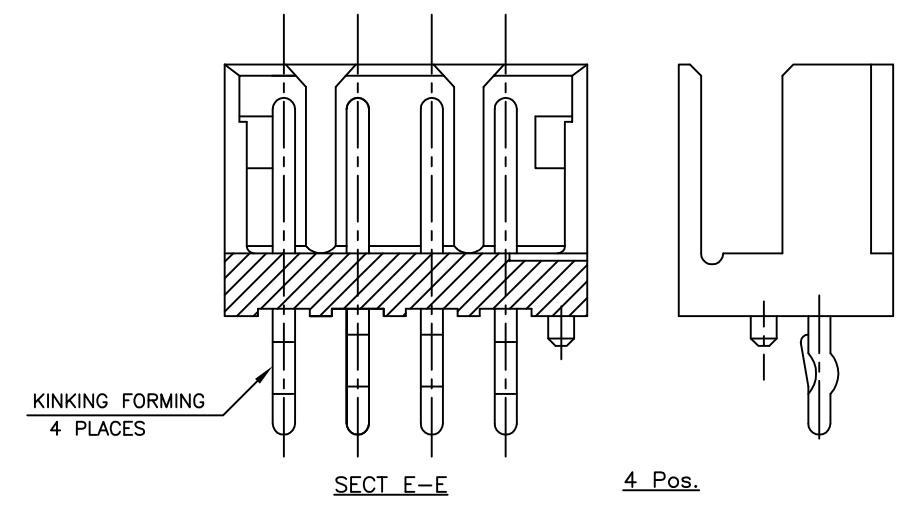
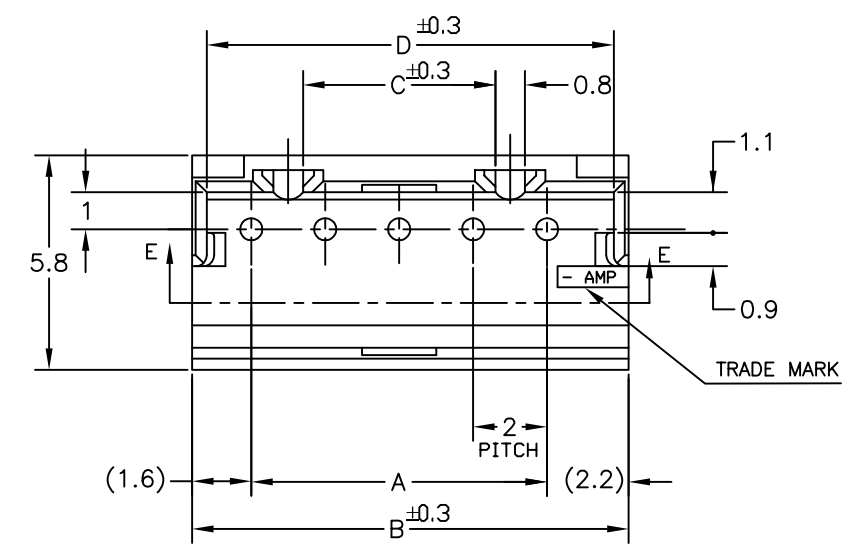
3

2

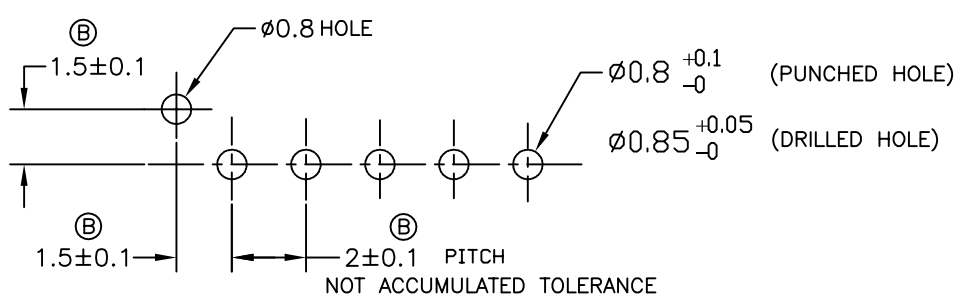
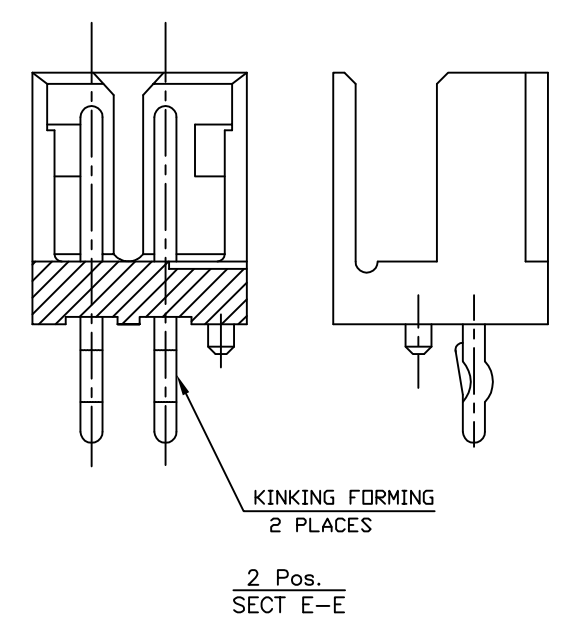
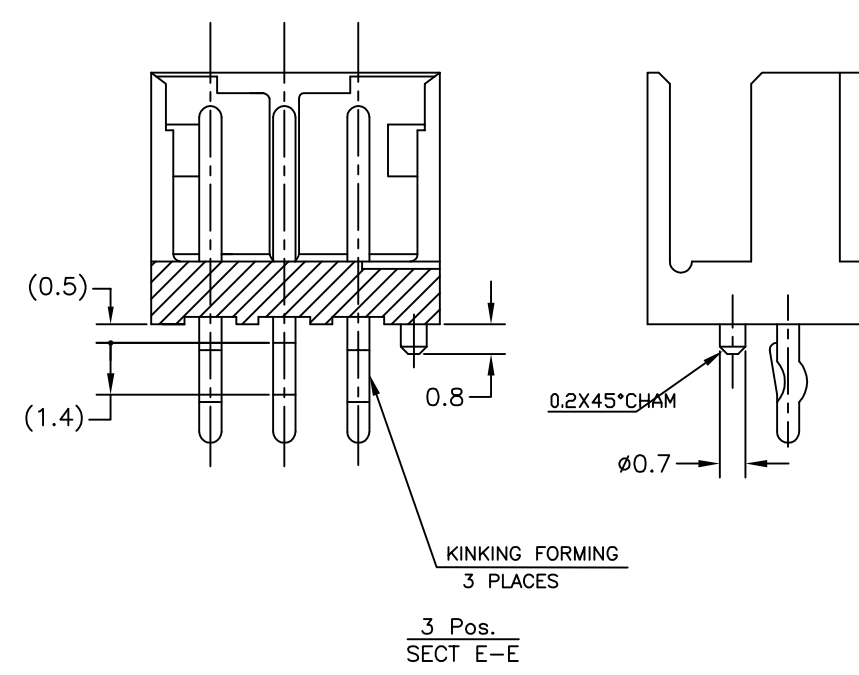
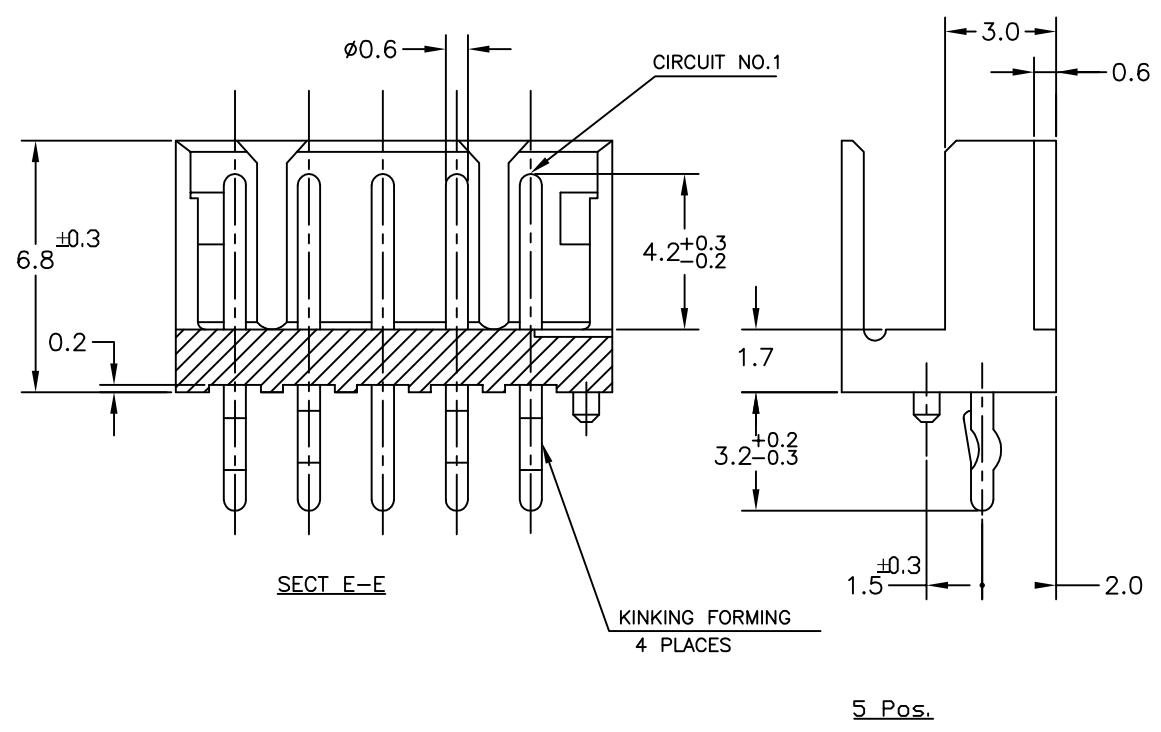
1

THIS DRAWING IS UNPUBLISHED. RELEASED FOR PUBLICATION  
 © COPYRIGHT - By - ALL RIGHTS RESERVED.


|     |      |           |     |               |           |     |      |
|-----|------|-----------|-----|---------------|-----------|-----|------|
| LOC | DIST | REVISIONS |     |               |           |     |      |
| ES  | 00   | P         | LTR | DESCRIPTION   | DATE      | DWN | APVD |
|     |      | B2        |     | ECR-14-006619 | 12MAY2014 | T.Q | W.H  |



NOTES:  
 1. MATERIAL: HOUSING - NYLON 66 (UL94V-0)  
 POST - TIN BRASS



RECOMMENDABLE PCB LAYOUT  
 (PCB THK: 0.8-1.6)

|   |  |                  |           |         |  |  |
|---|--|------------------|-----------|---------|--|--|
| THIS DRAWING IS A CONTROLLED DOCUMENT.                          |  | DWN              | S.XU      | 06NOV03 |  <b>TE Connectivity</b> |  |
| DIMENSIONS: mm  |  | CHK              | S.YAO     | 06NOV03 |  |  |
| TOLERANCES UNLESS OTHERWISE SPECIFIED: ±0.2                     |  | APVD             | T. SASAKI | 06NOV03 |  |  |
| 0-PLC ±<br>1-PLC ±<br>2-PLC ±<br>3-PLC ±<br>4-PLC ±<br>ANGLES ± |  | PRODUCT SPEC     | 108-60016 |         |  |  |
| MATERIAL: SEE NOTE  |  | FINISH           | SEE NOTE  |         | NAME   | POST HEADER ASS'Y POLARIZE TYPE (BOX-V TYPE)<br>(AMP CT CONNECTOR 2mm PITCH) |
|   |  | WEIGHT           | -         |         | SIZE   | A3   |
|   |  | CUSTOMER DRAWING |           |         | CAGE CODE  | 00779  |
|   |  |                  |           |         | DRAWING NO   | C=292251   |
|   |  |                  |           |         | RESTRICTED TO  | -  |
|   |  |                  |           |         | SCALE  | 5:1  |
|   |  |                  |           |         | SHEET  | 1 of 2   |
|   |  |                  |           |         | REV  | B2   |

4

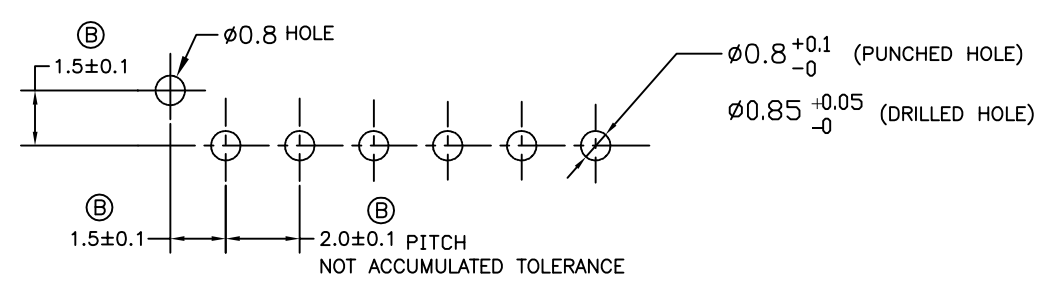
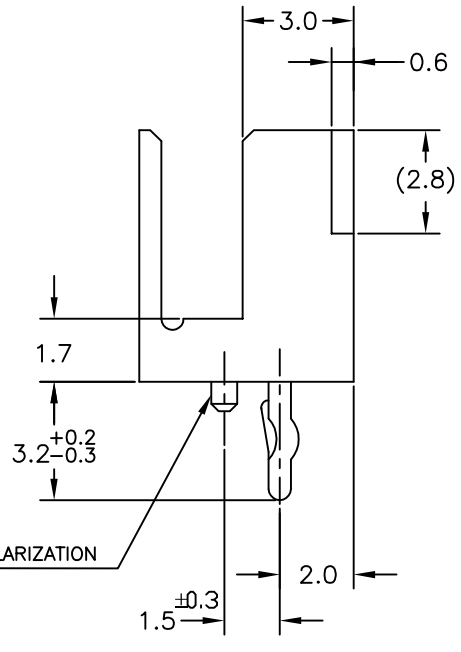
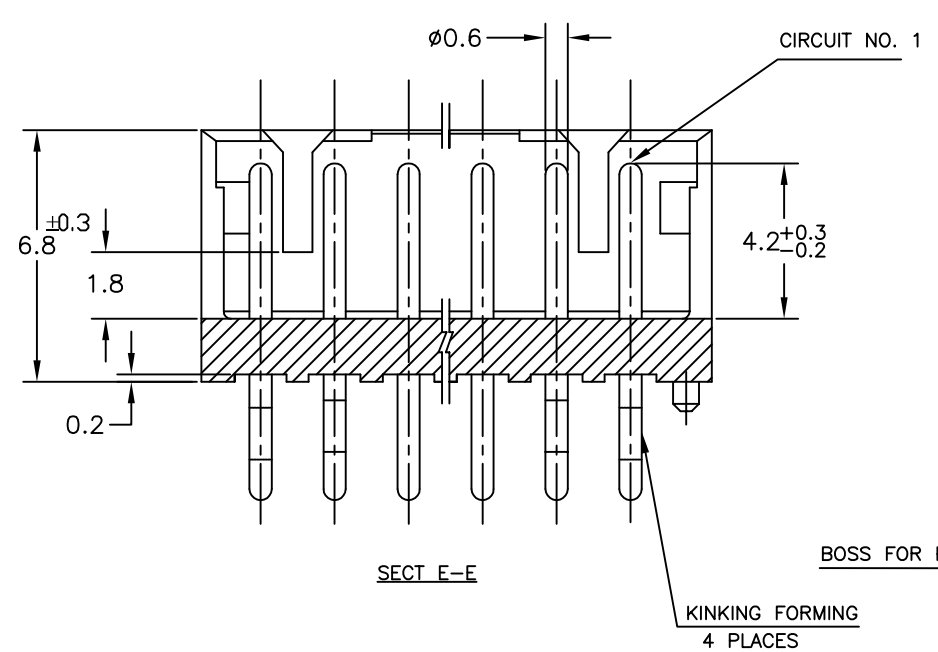
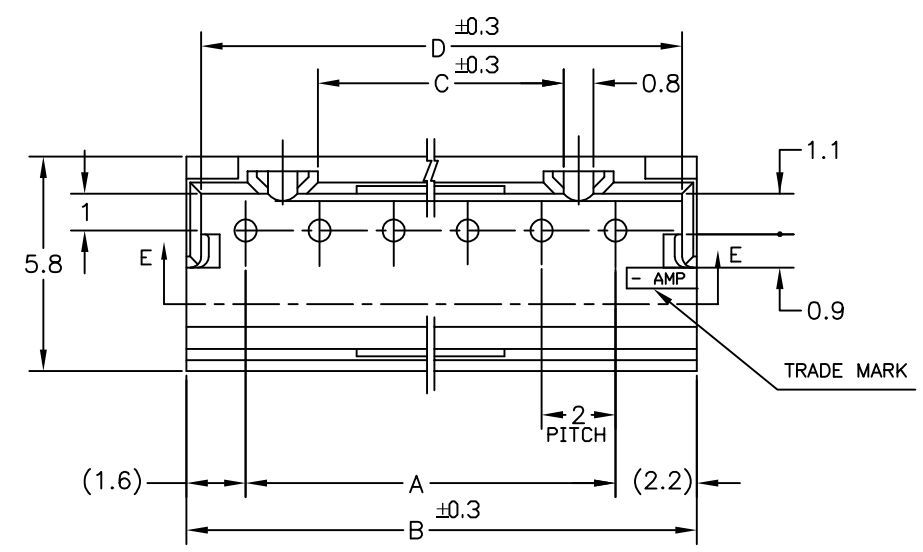
3

2

1

THIS DRAWING IS UNPUBLISHED. RELEASED FOR PUBLICATION  
 © COPYRIGHT - By - ALL RIGHTS RESERVED.

| LOC | DIST | REVISIONS   |      |     |      |  |
|-----|------|-------------|------|-----|------|--|
| P   | LTR  | DESCRIPTION | DATE | DWN | APVD |  |
| ES  | 00   | SEE SHEET 1 | -    | -   | -    |  |



RECOMMENDABLE PCB LAYOUT  
 (PCB THK:0.8-1.6)

NOTES:

- 1.MATERIAL: HOUSING - NYLON 66 (UL94V-0)  
 POST - TIN BRASS

|            |            |      |    |      |      |      |
|------------|------------|------|----|------|------|------|
|            | 1-292251-5 | 15   | 28 | 31.8 | 25.2 | 31.0 |
|            | 1- -4      | 14   | 26 | 29.8 | 23.2 | 29.0 |
|            | 1- -3      | 13   | 24 | 27.8 | 21.2 | 27.0 |
|            | 1- -2      | 12   | 22 | 25.8 | 19.2 | 25.0 |
|            | 1- -1      | 11   | 20 | 23.8 | 17.2 | 23.0 |
|            | 1- -0      | 10   | 18 | 21.8 | 15.2 | 21.0 |
|            | -9         | 9    | 16 | 19.8 | 13.2 | 19.0 |
|            | -8         | 8    | 14 | 17.8 | 11.2 | 17.0 |
|            | -7         | 7    | 12 | 15.8 | 9.2  | 15.0 |
|            | -6         | 6    | 10 | 13.8 | 7.2  | 13.0 |
|            | -5         | 5    | 8  | 11.8 | 5.2  | 11.0 |
| 2-292251-4 | -4         | 4    | 6  | 9.8  | 3.2  | 9.0  |
|            | -3         | 3    | 4  | 7.8  | 0    | 7.0  |
| 2-292251-2 | 292251-2   | 2    | 2  | 5.8  | 0    | 5.0  |
| BLUE       | NATURAL    | Pos. | A  | B    | C    | D    |
| PART NO.   |            |      |    |      |      |      |

|   |  |                  |  |           |            |               |
|---|--|------------------|--|-----------|------------|---------------|
| THIS DRAWING IS A CONTROLLED DOCUMENT.      |  | DWN              | TE Connectivity  |           |            |               |
| DIMENSIONS: mm                              |  | CHK              | NAME   |           |            |               |
| TOLERANCES UNLESS OTHERWISE SPECIFIED: ±0.2 |  | APVD             | POST HEADER ASS'Y POLARIZE TYPE (BOX-V TYPE)<br>(AMP CT CONNECTOR 2mm PITCH) |           |            |               |
| 6 PLC ±                                     |  | PRODUCT SPEC     | SIZE   | CAGE CODE | DRAWING NO | RESTRICTED TO |
| 1 PLC ±                                     |  | APPLICATION SPEC | A3   | 00779     | C-292251   |               |
| 2 PLC ±                                     |  | WEIGHT           | CUSTOMER DRAWING   |           | SCALE      | SHEET         |
| 3 PLC ±                                     |  |                  |  |           | 5:1        | 2 of 2        |
| 4 PLC ±                                     |  |                  |  |           |            | REV           |
| ANGLES ±                                    |  |                  |  |           |            | B2            |
| FINISH                                      |  |                  |  |           |            |               |

## X-ON Electronics

Largest Supplier of Electrical and Electronic Components

*Click to view similar products for [Headers & Wire Housings](#) category:*

*Click to view products by [TE Connectivity](#) manufacturer:*

Other Similar products are found below :

[892-18-020-10-001101](#) [58102-G61-06LF](#) [582553-1](#) [0009485154](#) [009176003701906](#) [0050291907](#) [LY20-4P-DT1-P1E-BR](#) [02.125.8002.8](#)  
[609-3404](#) [61062-3](#) [61082-181009](#) [622-3653LF](#) [63453-116](#) [636-1030](#) [636-1427](#) [636-3427](#) [636-4007](#) [641938-9](#) [641991-4](#) [644827-2](#) [65817-](#)  
[010LF](#) [65817-015LF](#) [65863-015LF](#) [66207-023LF](#) [67095-007LF](#) [67601157](#) [68645-018](#) [68648-049](#) [70.362.1628.0](#) [70-4210](#) [70-4226B](#) [70-](#)  
[4853B](#) [707-5020](#) [707-5028](#) [71.350.2428.0](#) [71918-208LF](#) [71961-016LF](#) [733-134](#) [733-162](#) [754199-000](#) [760-3052](#) [787-8014-00](#) [79531-3000](#)  
[FCN-360C032-B](#) [FCN-367T-T012/H](#) [FCN-723D010/2](#) [80.063.4001.1](#) [800-90-001-10-001000](#) [800-90-010-10-002000](#) [801-43-002-10-013000](#)