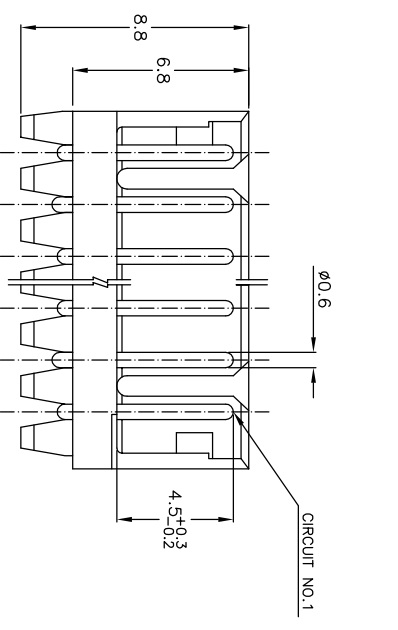
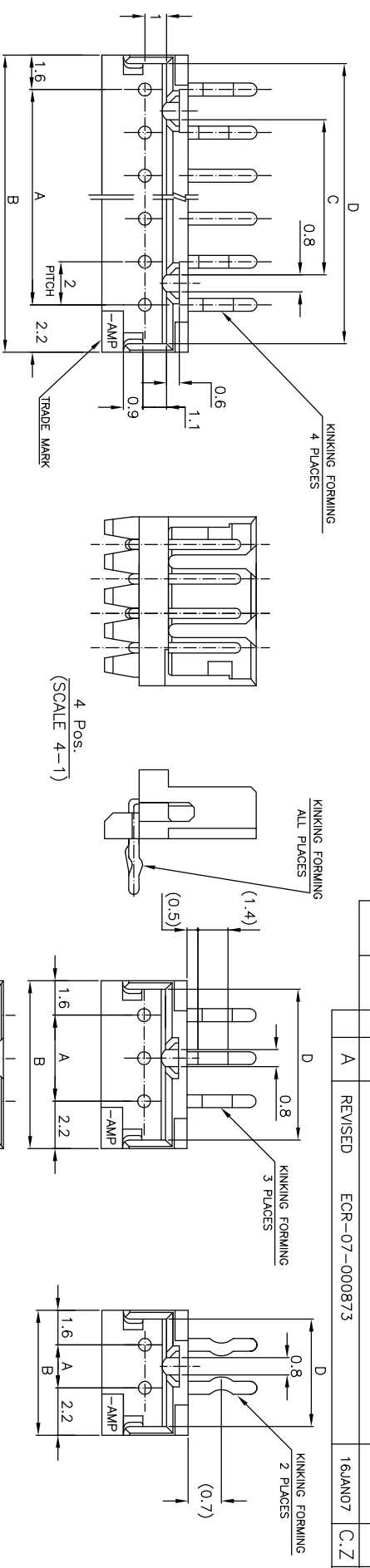
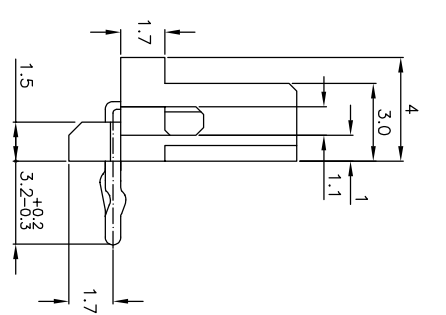


REVISIONS

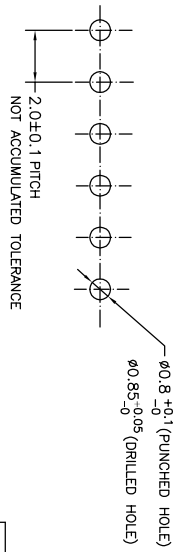


5~15 Pos.



NOTES:

1. MATERIAL: NYLON 66 (UL94V-0)
POST - TIN BRASS
2. APPLICABLE RECEPTACLE P/N 173977
3. THIS PART HAS BEEN OBSOLETE.



TOLERANCES UNLESS OTHERWISE SPECIFIED:

10 >	*	±0.2
30 >	*	±0.25
100 >	*	±0.3
ANGLE	>30	±3

7-292253-4	5	4	3	4	1	4	14	28	31.8	25.2	31.0
7-292253-5	5	3	3	4	1	4	14	26	29.8	23.2	29.0
7-292253-6	5	3	3	3	1	3	13	24	27.8	21.2	27.0
7-292253-7	5	2	3	2	1	2	12	22	25.8	19.2	25.0
7-292253-8	5	2	3	2	1	1	11	20	23.8	17.2	23.0
7-292253-9	5	2	3	2	1	0	10	18	21.8	15.2	21.0
7-292253-10	5	2	2	2	1	0	9	16	19.8	13.2	19.0
7-292253-11	5	2	2	2	1	0	8	14	17.8	11.2	17.0
7-292253-12	5	2	2	2	1	0	7	12	15.8	9.2	15.0
7-292253-13	5	2	2	2	1	0	6	10	13.8	7.2	13.0
7-292253-14	5	2	2	2	1	0	5	8	11.8	5.2	11.0
7-292253-15	5	2	2	2	1	0	4	6	9.8	3.2	9.0
7-292253-16	5	2	2	2	1	0	3	4	7.8	1.2	7.0
7-292253-17	5	2	2	2	1	0	2	2	5.8	—	5.0
7-292253-18	5	2	2	2	1	0	1	1	3.8	—	3.0
7-292253-19	5	2	2	2	1	0	0	0	1.8	—	1.0

THIS DRAWING IS A CONTROLLED DOCUMENT.

DIMENSIONS: MM	TOLERANCES UNLESS OTHERWISE SPECIFIED:	FINISH	WEIGHT
0 PIC ±	1 PIC ±	3 PIC ±	—
1 PIC ±	2 PIC ±	4 PIC ±	—
2 PIC ±	3 PIC ±	ANGLES	—
3 PIC ±	4 PIC ±	—	—
4 PIC ±	—	—	—

APPLICABLE SPEC: 108-60016

POST HEADER ASS'Y HORIZONTAL TYPE (AMP CT CONNECTOR 2mm PITCH)

DATE CODE: A3 00779

DRAWING NO: 292253

SCALE: 5:1

SHEET: 1 OF 1

REV: A

X-ON Electronics

Largest Supplier of Electrical and Electronic Components

Click to view similar products for [Headers & Wire Housings](#) category:

Click to view products by [TE Connectivity](#) manufacturer:

Other Similar products are found below :

[892-18-020-10-001101](#) [58102-G61-06LF](#) [582553-1](#) [0009485154](#) [009176003701906](#) [0050291907](#) [LY20-4P-DT1-P1E-BR](#) [02.125.8002.8](#)
[609-3404](#) [61062-3](#) [61082-181009](#) [622-3653LF](#) [63453-116](#) [636-1030](#) [636-1427](#) [636-3427](#) [636-4007](#) [641938-9](#) [641991-4](#) [644827-2](#) [65817-010LF](#) [65817-015LF](#) [65863-015LF](#) [66207-023LF](#) [67095-007LF](#) [67601157](#) [68645-018](#) [68648-049](#) [70.362.1628.0](#) [70-4210](#) [70-4226B](#) [70-4853B](#) [707-5020](#) [707-5028](#) [71.350.2428.0](#) [71918-208LF](#) [71961-016LF](#) [733-134](#) [733-162](#) [754199-000](#) [760-3052](#) [787-8014-00](#) [79531-3000](#)
[FCN-360C032-B](#) [FCN-367T-T012/H](#) [FCN-723D010/2](#) [80.063.4001.1](#) [800-90-001-10-001000](#) [800-90-010-10-002000](#) [801-43-002-10-013000](#)