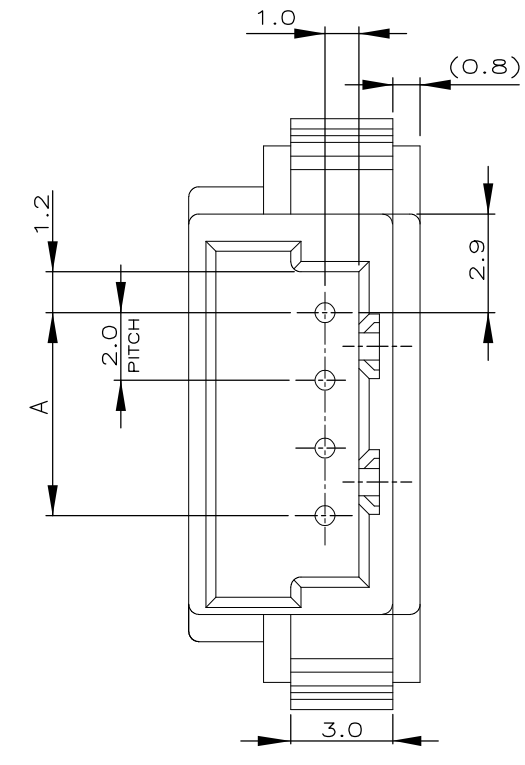
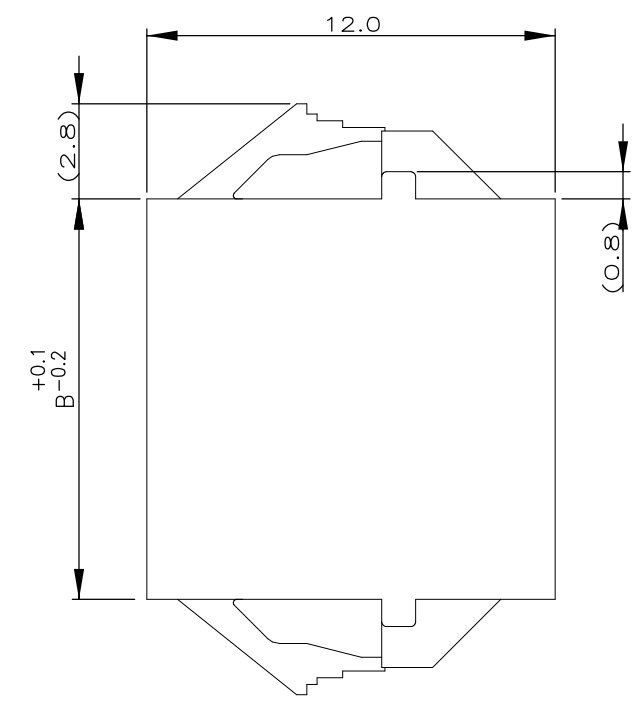
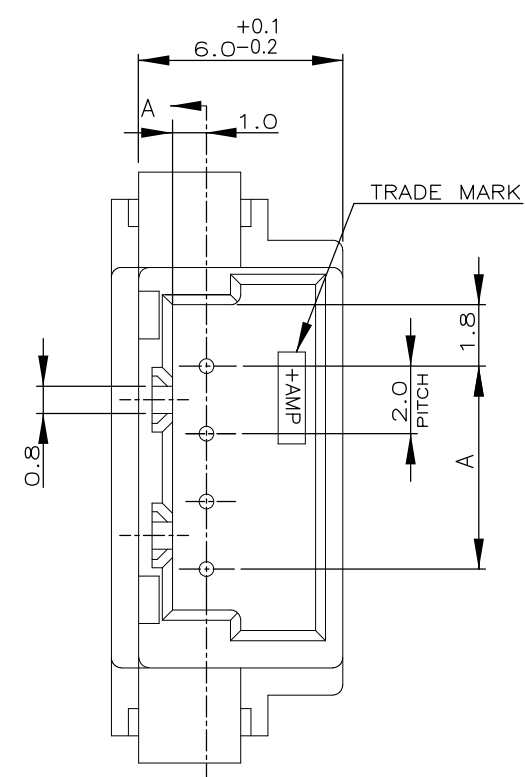


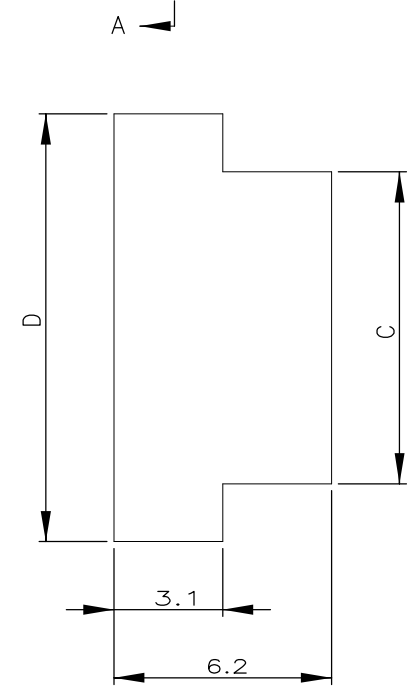
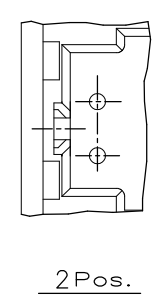
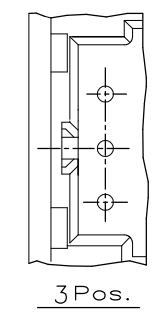
THIS DRAWING IS UNPUBLISHED. RELEASED FOR PUBLICATION  
 © COPYRIGHT - By - ALL RIGHTS RESERVED.

|     |      |           |     |                           |         |     |      |
|-----|------|-----------|-----|---------------------------|---------|-----|------|
| LOC | DIST | REVISIONS |     |                           |         |     |      |
| FB  | 00   | P         | LTR | DESCRIPTION               | DATE    | DWN | APVD |
|     |      | P         |     | REVISED PER ECO-11-005033 | 24MAR11 | RK  | HMR  |

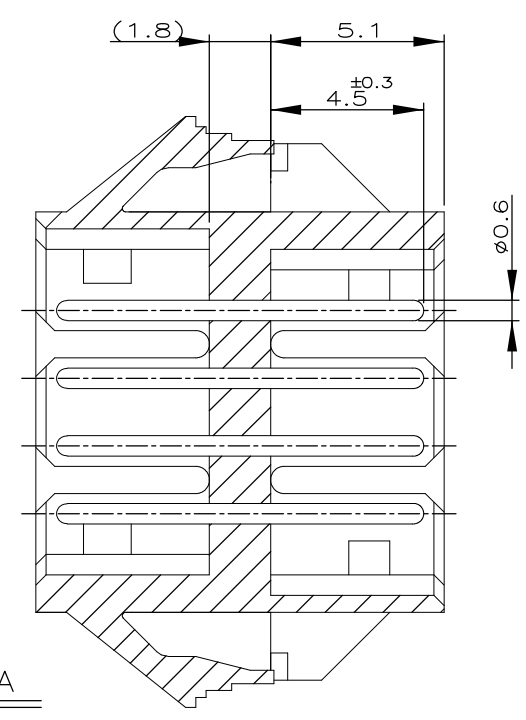


NOTES;

1. MATERIAL: HOUSING - 66 NYLON (UL94V-0)  
POST - TIN BRASS
2. THE PANEL SHOULD BE PUNCHED SO THAT THE HOUSING ENTERS THE PANEL IN THE SAME DIRECTION AS PUNCH.



SECT. A-A



|            |            |            |            |      |      |      |      |      |
|------------|------------|------------|------------|------|------|------|------|------|
| 7-292254-5 | 5-292254-5 | 3-292254-5 | 1-292254-5 | 15   | 37.6 | 34.0 | 33.8 | 28.0 |
| 7-▲-4      | 5-▲-4      | 3-▲-4      | 1-▲-4      | 14   | 35.6 | 32.0 | 31.8 | 26.0 |
| 7--3       | 5--3       | 3--3       | 1--3       | 13   | 33.6 | 30.0 | 29.8 | 24.0 |
| 7--2       | 5--2       | 3--2       | 1--2       | 12   | 31.6 | 28.0 | 27.8 | 22.0 |
| 7--1       | 5--1       | 3--1       | 1--1       | 11   | 29.6 | 26.0 | 25.8 | 20.0 |
| 7--0       | 5--0       | 3--0       | 1--0       | 10   | 27.6 | 24.0 | 23.8 | 18.0 |
| 6--9       | 4--9       | 2--9       |            | 9    | 25.6 | 22.0 | 21.8 | 16.0 |
| 6--8       | 4--8       | 2--8       |            | 8    | 23.6 | 20.0 | 19.8 | 14.0 |
| 6--7       | 4--7       | 2--7       |            | 7    | 21.6 | 18.0 | 17.8 | 12.0 |
| 6--6       | 4--6       | 2--6       |            | 6    | 19.6 | 16.0 | 15.8 | 10.0 |
| 6--5       | 4--5       | 2--5       |            | 5    | 17.6 | 14.0 | 13.8 | 8.0  |
| 6--4       | 4--4       | 2--4       |            | 4    | 15.6 | 12.0 | 11.8 | 6.0  |
| 6--3       | 4--3       | 2--3       |            | 3    | 13.6 | 10.0 | 9.8  | 4.0  |
| 6-292254-2 | 4-292254-2 | 2-292254-2 | 292254-2   | 2    | 11.6 | 8.0  | 7.8  | 2.0  |
| BLACK      | YELLOW     | BLUE       | NATURAL    | Pos. | D    | C    | B    | A    |

PANEL CUTOUT DIMENSION (TOLERANCE:±0.1)  
 (RECOMMENDED PANE THICKNESS:0.8mm ~ 1.6mm)

TOLERANCES UNLESS OTHERWISE SPECIFIED:

|             |         |
|-------------|---------|
| 10 ≥ *      | : ±0.2  |
| 30 ≥ * >10  | : ±0.25 |
| 100 ≥ * >30 | : ±0.3  |
| ANGLE       | : ±3°   |

THIS DRAWING IS A CONTROLLED DOCUMENT.

|                    |   |                        |  |
|--------------------|---|------------------------|--|
| DIMENSIONS: mm     | TOLERANCES UNLESS OTHERWISE SPECIFIED:                                | DWN S.XU 31JAN03       | TE Connectivity<br>NAME: PANEL MOUNT TYPE RELAY POST HEADER ASS'Y (AMP CT CONNECTOR 2mm PITCH) |
|                    | 0 PLC ±-<br>1 PLC ±-<br>2 PLC ±-<br>3 PLC ±-<br>4 PLC ±-<br>ANGLES ±- | CHK S.YAO 31JAN03      |  |
|                    |   | APVD T. SASAKI 31JAN03 |  |
|                    |   | PRODUCT SPEC           |  |
| MATERIAL: SEE NOTE | FINISH: SEE NOTE  | APPLICATION SPEC: -    | RESTRICTED TO: -   |
|                    |   | WEIGHT: -              | SIZE: A3 CAGE CODE: 00779 DRAWING NO: C-292254   |
|                    |   | CUSTOMER DRAWING       | SCALE: 5:1 SHEET: 1 OF 1 REV: P  |

## X-ON Electronics

Largest Supplier of Electrical and Electronic Components

*Click to view similar products for [Headers & Wire Housings](#) category:*

*Click to view products by [TE Connectivity](#) manufacturer:*

Other Similar products are found below :

[892-18-020-10-001101](#) [58102-G61-06LF](#) [582553-1](#) [0009485154](#) [009176003701906](#) [0050291907](#) [LY20-4P-DT1-P1E-BR](#) [02.125.8002.8](#)  
[609-3404](#) [61062-3](#) [61082-181009](#) [622-3653LF](#) [63453-116](#) [636-1030](#) [636-1427](#) [636-3427](#) [636-4007](#) [641938-9](#) [641991-4](#) [644827-2](#) [65817-](#)  
[010LF](#) [65817-015LF](#) [65863-015LF](#) [66207-023LF](#) [67095-007LF](#) [67601157](#) [68645-018](#) [68648-049](#) [70.362.1628.0](#) [70-4210](#) [70-4226B](#) [70-](#)  
[4853B](#) [707-5020](#) [707-5028](#) [71.350.2428.0](#) [71918-208LF](#) [71961-016LF](#) [733-134](#) [733-162](#) [754199-000](#) [760-3052](#) [787-8014-00](#) [79531-3000](#)  
[FCN-360C032-B](#) [FCN-367T-T012/H](#) [FCN-723D010/2](#) [80.063.4001.1](#) [800-90-001-10-001000](#) [800-90-010-10-002000](#) [801-43-002-10-013000](#)