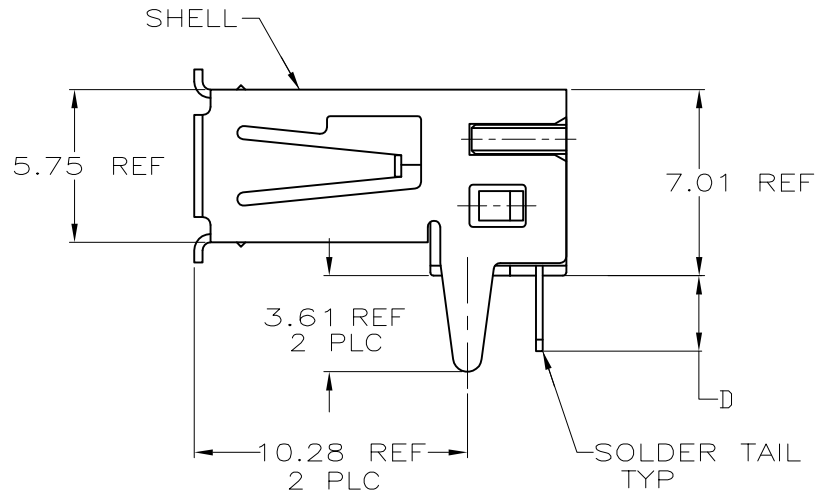
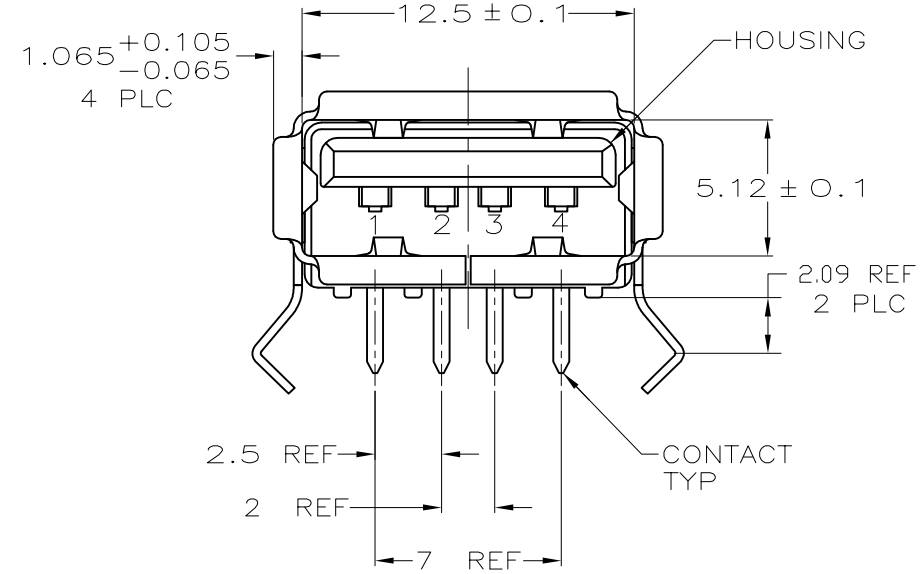


LOC		DIST		REVISIONS			
P	LTR	DESCRIPTION	DATE	DWN	APVD		
ES	00						
E14		REVISED PER ECR-19-012828	29JAN19	T.Z	S.L		



PC BOARD MOUNTING DIMENSIONS ④



- ① MATERIAL:
 SHELL- STAINLESS STEEL.
 CONTACTS- COPPER ALLOY.
 HOUSING: UL 94V-0 RATED, THERMOPLASTIC, COLOR SEE TABLE.
- ② PLATING:
 CONTACTS: 0.076μm MINIMUM GOLD OVER 0.76μm MINIMUM PALLADIUM-NICKEL ON MATING AREA.
 3.8μm MINIMUM MATTE TIN ON SOLDER TAILS.
 BOTH OVER 1.27μm MINIMUM NICKEL.
 CONTACT ALTERNATE PLATING: 0.76μm MIN GOLD ON MATING AREA, 3.80μm MIN MATTE TIN ON SOLDER TAILS, BOTH OVER 1.27μm MIN NICKEL.
 SHELL: 2~5μm MINIMUM BRIGHT TIN
- ③ DATUM AND BASIC DIMENSIONS ESTABLISHED BY CUSTOMER.
- ④ RECOMMENDED PC BOARD THICKNESS OF 1.57.
- ⑤ PLATING:
 CONTACTS: 0.76μm MINIMUM PALLADIUM-NICKEL ON MATING AREA.
 3.8μm MINIMUM MATTE TIN ON SOLDER TAILS.
 BOTH OVER 1.27μm MINIMUM NICKEL.
 SHELL: 2~5μm MINIMUM BRIGHT TIN

⑤	YES	2.84	BLACK	2-292303-0 ⑤⑨
②	YES	2.29	BLACK	1-292303-9 ⑤⑧
②	NO	3.81	BLACK	1-292303-5
②	NO	3.56	BLACK	1-292303-4
②	NO	3.20	BLACK	1-292303-3
②	YES	3.30	BLACK	1-292303-2
②	YES	2.29	BLACK	292303-6
②	YES	2.84	NATURAL	292303-5
②	YES	2.84	BLACK	292303-4
②	NO	2.84	NATURAL	292303-3
②	NO	2.29	BLACK	292303-2
②	NO	2.84	BLACK	292303-1
CONTACT PLATING	HIGH TEMPERATURE COMPATIBLE	D	HOUSING COLOR	PART NUMBER

THIS DRAWING IS A CONTROLLED DOCUMENT.

DIMENSIONS: mm	TOLERANCES UNLESS OTHERWISE SPECIFIED:	DWN J. JIANG 19FEB04	
0 PLC ± -	1 PLC ± -	CHK S. YAO 19FEB04	
2 PLC ± 0.25	3 PLC ± -	APVD T. SASAKI 19FEB04	NAME
4 PLC ± -	ANGLES ± -	PRODUCT SPEC 108-60034	RECEPTACLE ASSEMBLY RIGHT ANGLE, 4 POSITION, T/H & SMT USB, LEAD FREE VERSION
MATERIAL ①	SEE TABLE	APPLICATION SPEC	SIZE A2 CAGE CODE 00779 DRAWING NO C=292303 RESTRICTED TO
		WEIGHT -	SCALE 5:1 SHEET 1 OF 4 REV E14
		CUSTOMER DRAWING	

4

3

2

1

THIS DRAWING IS UNPUBLISHED.

RELEASED FOR PUBLICATION

ALL RIGHTS RESERVED.

© COPYRIGHT - By -

LOC
ESDIST
00

REVISIONS

P	LTR	DESCRIPTION	DATE	DWN	APVD
-	-	SEE SHEET 1	-	-	-

RECOMMENDED PC BOARD MOUNTING LAYOUT $\triangle 3$
(TOLERANCE= ± 0.05)

$\triangle 1$ MATERIAL:
 E10 SHELL- STAINLESS STEEL
 CONTACTS- COPPER ALLOY.
 HOUSING: UL 94V-0 RATED, THERMOPLASTIC, COLOR SEE TABLE.

$\triangle 2$ PLATING:
 CONTACTS: 0.076 μm MINIMUM GOLD OVER 0.76 μm MINIMUM PALLADIUM-NICKEL ON MATING AREA.
 3.8 μm MINIMUM MATTE TIN ON SOLDER TAILS.
 BOTH OVER 1.27 μm MINIMUM NICKEL.
 CONTACT ALTERNATE PLATING: 0.76 μm MIN GOLD ON MATING AREA, 3.80 μm MIN MATTE TIN ON SOLDER TAILS, BOTH OVER 1.27 μm MIN NICKEL.
 SHELL: 2~5 μm MINIMUM BRIGHT TIN

$\triangle 3$ RECOMMENDED PC BOARD THICKNESS OF 1.42.

YES	OBSELETE	BLACK	3-292303-1 E10
YES		BLACK	1-292303-1
YES		NATURAL	292303-7
HIGH TEMPERATURE COMPATIBLE		HOUSING COLOR	PART NUMBER

THIS DRAWING IS A CONTROLLED DOCUMENT.		DWN J.JIANG 19FEB04	STE TE Connectivity	
DIMENSIONS: mm		CHK S.YAO 19FEB04		
TOLERANCES UNLESS OTHERWISE SPECIFIED:		APVD T.SASAKI 19FEB04	NAME	
0 PLC \pm -		PRODUCT SPEC 108-60034	RECEPTACLE ASSEMBLY RIGHT ANGLE, 4 POSITION, T/H & SMT USB, LEAD FREE VERSION	
1 PLC \pm -		APPLICATION SPEC	SIZE A2	CAGE CODE 00779
2 PLC \pm 0.25		WEIGHT -	DRAWING NO C=292303	RESTRICTED TO -
3 PLC \pm -		CUSTOMER DRAWING	SCALE 5:1	SHEET 2 OF 4
4 PLC \pm -			REV E14	
ANGLES \pm -				
FINISH				
$\triangle 1$				
$\triangle 2$				

1471-9 (3/11)

292303

B

A

4

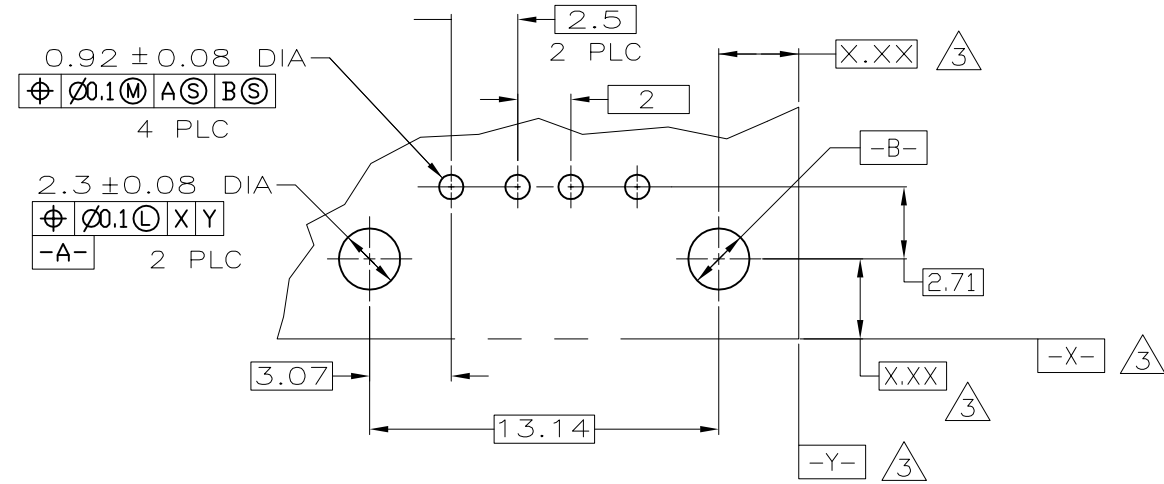
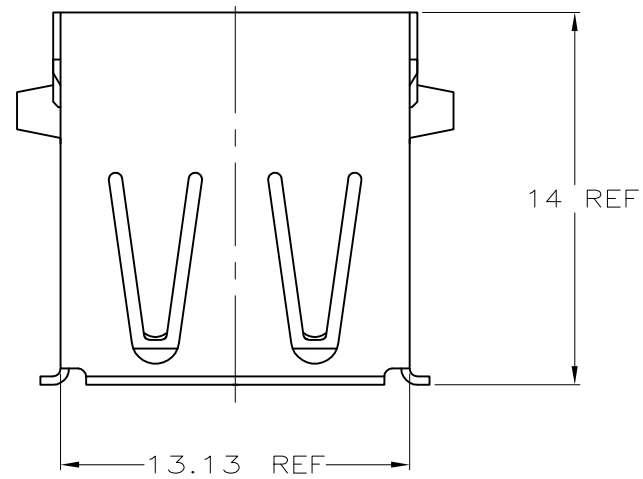
3

2

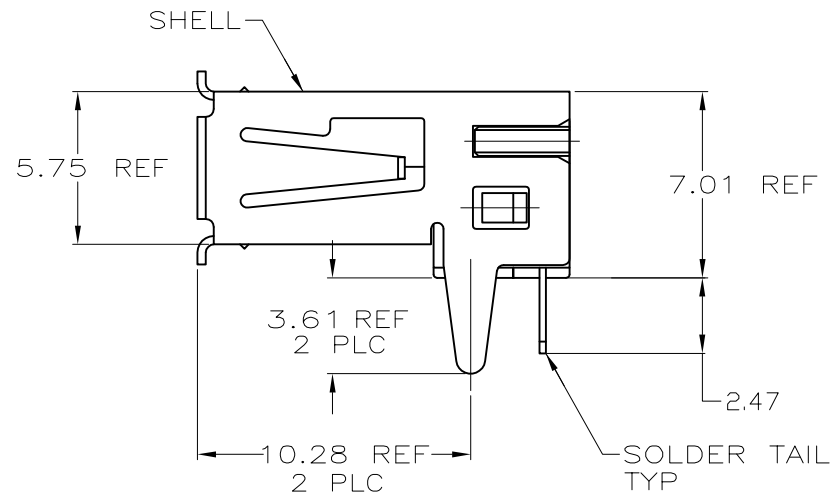
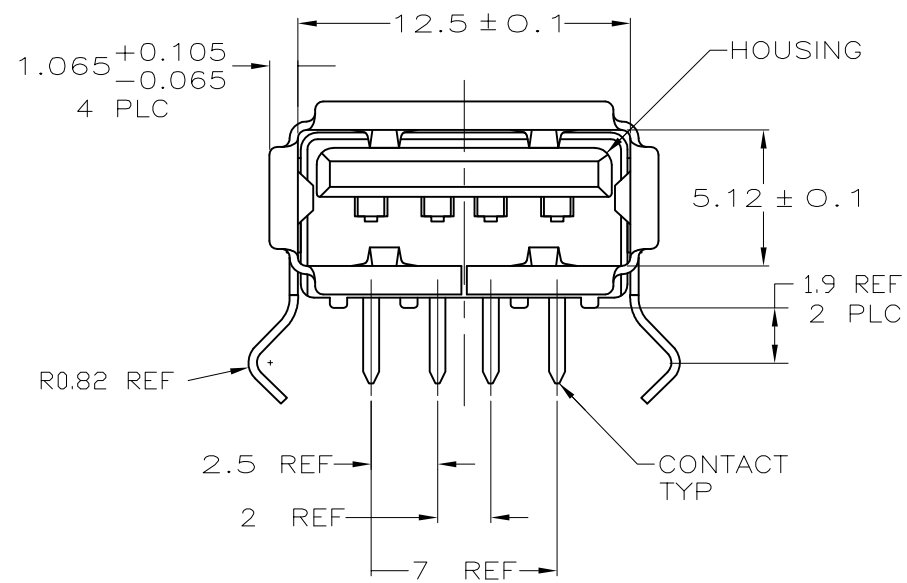
1

THIS DRAWING IS UNPUBLISHED. RELEASED FOR PUBLICATION. ALL RIGHTS RESERVED.

LOC	DIST	REVISIONS			
P	LTR	DESCRIPTION	DATE	DWN	APVD
ES	00	SEE SHEET 1	-	-	-



PC BOARD MOUNTING DIMENSIONS ④



- ① MATERIAL:
 - ① SHELL- STAINLESS STEEL.
 - CONTACTS- COPPER ALLOY.
 - HOUSING: UL 94V-0 RATED, THERMOPLASTIC, COLOR SEE TABLE.
- ② PLATING:
 - CONTACTS: 0.076 μm MINIMUM GOLD OVER 0.76 μm MINIMUM PALLADIUM-NICKEL ON MATING AREA.
 - 3.8 μm MINIMUM MATTE TIN ON SOLDER TAILS.
 - BOTH OVER 1.27 μm MINIMUM NICKEL.
 - CONTACT ALTERNATE PLATING: 0.76 μm MIN GOLD ON MATING AREA, 3.80 μm MIN MATTE TIN ON SOLDER TAILS, BOTH OVER 1.27 μm MIN NICKEL.
 - SHELL: 2~5 μm MINIMUM BRIGHT TIN
- ③ DATUM AND BASIC DIMENSIONS ESTABLISHED BY CUSTOMER.
- ④ RECOMMENDED PC BOARD THICKNESS OF 1.2.

NO	NATURAL	292303-8
HIGH TEMPERATURE COMPATIBLE	HOUSING COLOR	PART NUMBER

THIS DRAWING IS A CONTROLLED DOCUMENT.		DWN J.JIANG 19FEB04		
DIMENSIONS: mm		CHK S.YAO 19FEB04		
TOLERANCES UNLESS OTHERWISE SPECIFIED:		APVD T.SASAKI 19FEB04	NAME	
0 PLC ± -	1 PLC ± -	PRODUCT SPEC	RECEPTACLE ASSEMBLY RIGHT	
2 PLC ± 0.25	3 PLC ± -	108-60034	ANGLE, 4 POSITION, T/H & SMT	
4 PLC ± -	ANGLES ± -	APPLICATION SPEC	USB, LEAD FREE VERSION	
MATERIAL	FINISH	WEIGHT	SIZE A2	CAGE CODE 00779
①	②	CUSTOMER DRAWING	DRAWING NO C=292303	RESTRICTED TO
SCALE 5:1			SHEET 3 OF 4	REV E14

292303

A

4

3

2

1

THIS DRAWING IS UNPUBLISHED. RELEASED FOR PUBLICATION
 © COPYRIGHT - By - ALL RIGHTS RESERVED.

LOC		DIST		REVISIONS			
P	LTR	DESCRIPTION	DATE	DWN	APVD		
ES	00						
		SEE SHEET 1					

RECOMMENDED MOUNTING PANEL CUTOUT

⚠ MATERIAL:
 Ⓜ SHELL- STAINLESS STEEL.
 CONTACTS- COPPER ALLOY.
 HOUSING: UL 94V-0 RATED, THERMOPLASTIC, COLOR SEE TABLE.

⚠ PLATING:
 CONTACTS: 0.076 μm MINIMUM GOLD OVER 0.76 μm MINIMUM PALLADIUM-NICKEL ON MATING AREA.
 3.8 μm MINIMUM MATTE TIN ON SOLDER TAILS.
 BOTH OVER 1.27 μm MINIMUM NICKEL.
 CONTACT ALTERNATE PLATING: 0.76 μm MIN GOLD ON MATING AREA, 3.80 μm MIN MATTE TIN ON SOLDER TAILS, BOTH OVER 1.27 μm MIN NICKEL.
 SHELL: 2~5 μm MINIMUM BRIGHT TIN

⚠ PANEL IS NEEDED FOR CUSTOMER.
 ⚠ THIS P/N IS PRELIMINARY.

RECOMMENDED PC BOARD MOUNTING LAYOUT (TOLERANCE=±0.05)

YES	BLACK	1-292303-6 ⚠
YES	NATURAL	292303-9
HIGH TEMPERATURE COMPATIBLE	HOUSING COLOR	PART NUMBER

DIMENSIONS:		TOLERANCES UNLESS OTHERWISE SPECIFIED:		APVD		NAME	
mm		0 PLC	± -	J. JIANG	19FEB04	TE Connectivity	
		1 PLC	± -	S. YAO	19FEB04	RECEPTACLE ASSEMBLY RIGHT	
		2 PLC	± 0.25	T. SASAKI	19FEB04	ANGLE, 4 POSITION, T/H & SMT	
		3 PLC	± -			USB, LEAD FREE VERSION	
		4 PLC	± -			SIZE	CAGE CODE
		ANGLES	± -			A2	00779
		FINISH	± -			DRAWING NO	RESTRICTED TO
						C=292303	
						SCALE	SHEET
						5:1	4 OF 4
						REV	E14

1471-9 (3/11)

292303

X-ON Electronics

Largest Supplier of Electrical and Electronic Components

Click to view similar products for [USB Connectors](#) category:

Click to view products by [TE Connectivity](#) manufacturer:

Other Similar products are found below :

[65-647-8-BK-BU](#) [950](#) [952](#) [E8144-B01021-L](#) [A-USB B-TOP-C](#) [MUSBA511N5](#) [MUSBD11135](#) [217450-1](#) [KMBVX-TH-5S-B30](#) [896-30-004-00-000000](#) [KUSBVX-BS1N-W30](#) [KUSBX-AP-KIT-SCBLK](#) [KUSBX-AS2N-W](#) [KUSBX-SMT2AP1S-W](#) [KUSBX-SMT2AP1S-W30](#) [935](#) [957](#) [30-498-6](#) [SK-60A-2](#) [17-210051](#) [1734082-1](#) [30-1574](#) [30-470](#) [30-489](#) [30-541](#) [30-572-3](#) [A-USB A-2P-C](#) [MIKROE-1451](#) [USBFTV2PEM2G](#) [USBFTVC6ZN](#) [KUSBX-AS2N-W30](#) [KUSBX-SLAS1N-W](#) [KUSBX-SMT-AS1N-W30](#) [4689-1](#) [1-1734084-2](#) [E8110-001-01](#) [33UBARS1-04SW11](#) [33UBAR-04SW11](#) [USBF21ZNSCC](#) [USBBFTV6ZC](#) [10135326-001LF](#) [M9177/3-1](#) [USB-A-S-F-B-VT](#) [925](#) [4198](#) [690-024-633-031](#) [KUSBEX-BSFS1N-W](#) [USBFTVC6MRG](#) [UA-20BMFA-SL8001](#) [17-250101](#)