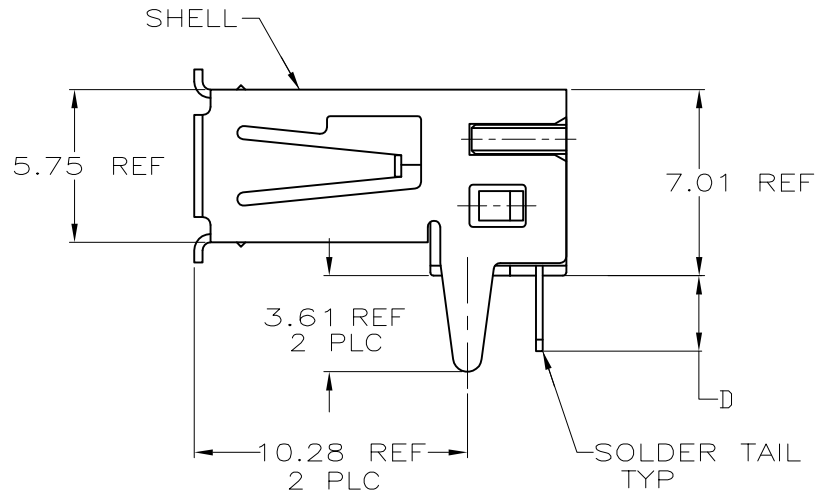
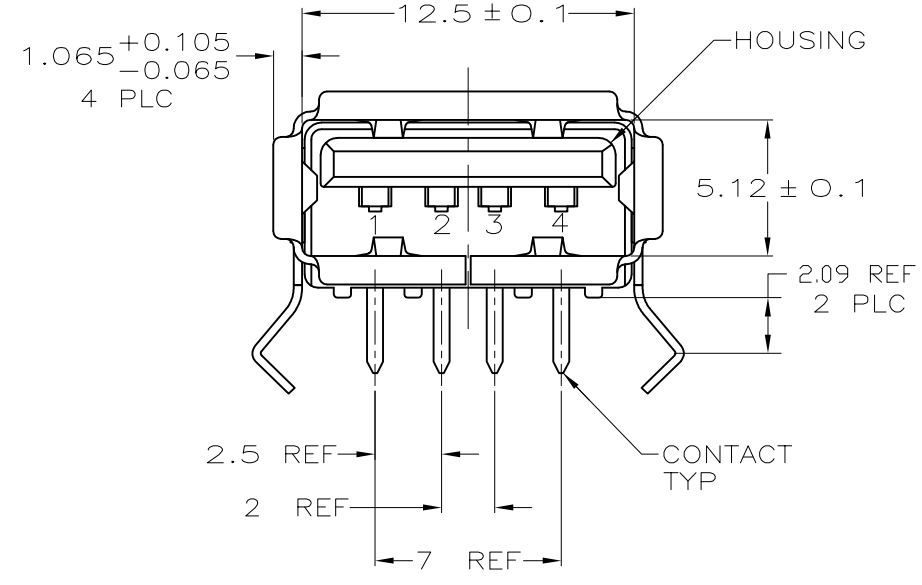


LOC		DIST		REVISIONS			
P	LTR	DESCRIPTION	DATE	DWN	APVD		
ES	00	E14	REVISED PER ECR-19-012828	29JAN19	T.Z	S.L	



PC BOARD MOUNTING DIMENSIONS ④



- ① MATERIAL:  
 SHELL- STAINLESS STEEL.  
 CONTACTS- COPPER ALLOY.  
 HOUSING: UL 94V-0 RATED, THERMOPLASTIC, COLOR SEE TABLE.
- ② PLATING:  
 CONTACTS: 0.076μm MINIMUM GOLD OVER 0.76μm MINIMUM PALLADIUM-NICKEL ON MATING AREA.  
 3.8μm MINIMUM MATTE TIN ON SOLDER TAILS.  
 BOTH OVER 1.27μm MINIMUM NICKEL.  
 CONTACT ALTERNATE PLATING: 0.76μm MIN GOLD ON MATING AREA, 3.80μm MIN MATTE TIN ON SOLDER TAILS, BOTH OVER 1.27μm MIN NICKEL.  
 SHELL: 2~5μm MINIMUM BRIGHT TIN
- ③ DATUM AND BASIC DIMENSIONS ESTABLISHED BY CUSTOMER.
- ④ RECOMMENDED PC BOARD THICKNESS OF 1.57.
- ⑤ PLATING:  
 CONTACTS: 0.76μm MINIMUM PALLADIUM-NICKEL ON MATING AREA.  
 3.8μm MINIMUM MATTE TIN ON SOLDER TAILS.  
 BOTH OVER 1.27μm MINIMUM NICKEL.  
 SHELL: 2~5μm MINIMUM BRIGHT TIN

⑤	YES	2.84	BLACK	2-292303-0 ⑤⑨
②	YES	2.29	BLACK	1-292303-9 ⑤⑧
②	NO	3.81	BLACK	1-292303-5
②	NO	3.56	BLACK	1-292303-4
②	NO	3.20	BLACK	1-292303-3
②	YES	3.30	BLACK	1-292303-2
②	YES	2.29	BLACK	292303-6
②	YES	2.84	NATURAL	292303-5
②	YES	2.84	BLACK	292303-4
②	NO	2.84	NATURAL	292303-3
②	NO	2.29	BLACK	292303-2
②	NO	2.84	BLACK	292303-1
CONTACT PLATING	HIGH TEMPERATURE COMPATIBLE	D	HOUSING COLOR	PART NUMBER

THIS DRAWING IS A CONTROLLED DOCUMENT.

DIMENSIONS: mm	TOLERANCES UNLESS OTHERWISE SPECIFIED:	DWN J. JIANG 19FEB04	TE Connectivity	
0 PLC ± -	1 PLC ± -	CHK S. YAO 19FEB04		
2 PLC ± 0.25	3 PLC ± -	APVD T. SASAKI 19FEB04	NAME RECEPTACLE ASSEMBLY RIGHT ANGLE, 4 POSITION, T/H & SMT USB, LEAD FREE VERSION	
4 PLC ± -	ANGLES ± -	PRODUCT SPEC 108-60034	SIZE A2	CAGE CODE 00779
MATERIAL ①	FINISH SEE TABLE	APPLICATION SPEC	DRAWING NO C=292303	RESTRICTED TO
		WEIGHT -	SCALE 5:1	SHEET 1 OF 4
		CUSTOMER DRAWING	REV E14	

4

3

2

1

THIS DRAWING IS UNPUBLISHED.

RELEASED FOR PUBLICATION

ALL RIGHTS RESERVED.

© COPYRIGHT - By -

LOC  
ESDIST  
00

REVISIONS

P	LTR	DESCRIPTION	DATE	DWN	APVD
-	-	SEE SHEET 1	-	-	-

Top view of the receptacle assembly showing dimensions: 7.00, 2.00, 0.60, 1.16, 14 REF, and 13.13 REF.

Recommended PC board mounting layout showing dimensions:  $\varnothing 2.30$ , 1.25, 13.14, 3.50, 1.00, 3.00, and 2.18.

RECOMMENDED PC BOARD MOUNTING LAYOUT  $\triangle 3$   
(TOLERANCE =  $\pm 0.05$ )

$\triangle 1$  MATERIAL:  
 $\text{E10}$  SHELL - STAINLESS STEEL  
 CONTACTS - COPPER ALLOY.  
 HOUSING: UL 94V-0 RATED, THERMOPLASTIC, COLOR SEE TABLE.

$\triangle 2$  PLATING:  
 CONTACTS: 0.076  $\mu\text{m}$  MINIMUM GOLD OVER 0.76  $\mu\text{m}$  MINIMUM PALLADIUM-NICKEL ON MATING AREA.  
 3.8  $\mu\text{m}$  MINIMUM MATTE TIN ON SOLDER TAILS.  
 BOTH OVER 1.27  $\mu\text{m}$  MINIMUM NICKEL.  
 CONTACT ALTERNATE PLATING: 0.76  $\mu\text{m}$  MIN GOLD ON MATING AREA, 3.80  $\mu\text{m}$  MIN MATTE TIN ON SOLDER TAILS, BOTH OVER 1.27  $\mu\text{m}$  MIN NICKEL.  
 SHELL: 2~5  $\mu\text{m}$  MINIMUM BRIGHT TIN

$\triangle 3$  RECOMMENDED PC BOARD THICKNESS OF 1.42.

Front view of the receptacle assembly showing dimensions: 1.065  $\pm 0.105 / -0.065$  4 PLC, 12.5  $\pm 0.1$ , HOUSING, 5.12  $\pm 0.1$ , 4.13, 1.89 REF 2 PLC.

Side view of the receptacle assembly showing dimensions: 5.75 REF, SHELL, 7.01 REF, 3.61 REF 2 PLC, SOLDER TAIL TYP, and 10.28 REF 2 PLC.

YES	<b>OBSELETE</b>	BLACK	3-292303-1 $\text{E10}$
YES		BLACK	1-292303-1
YES		NATURAL	292303-7
HIGH TEMPERATURE COMPATIBLE		HOUSING COLOR	PART NUMBER

THIS DRAWING IS A CONTROLLED DOCUMENT.		DWN J. JIANG 19FEB04	<b>STE</b> TE Connectivity	
DIMENSIONS: mm		CHK S. YAO 19FEB04		
TOLERANCES UNLESS OTHERWISE SPECIFIED:		APVD T. SASAKI 19FEB04	NAME	
0 PLC $\pm -$		PRODUCT SPEC 108-60034	RECEPTACLE ASSEMBLY RIGHT ANGLE, 4 POSITION, T/H & SMT USB, LEAD FREE VERSION	
1 PLC $\pm -$		APPLICATION SPEC	SIZE A2	CAGE CODE 00779
2 PLC $\pm 0.25$		WEIGHT -	DRAWING NO C=292303	RESTRICTED TO -
3 PLC $\pm -$		CUSTOMER DRAWING	SCALE 5:1	SHEET 2 OF 4
4 PLC $\pm -$			REV E14	
ANGLES $\pm -$				
FINISH				
$\triangle 1$				
$\triangle 2$				

1471-9 (3/11)

292303

B

A

4

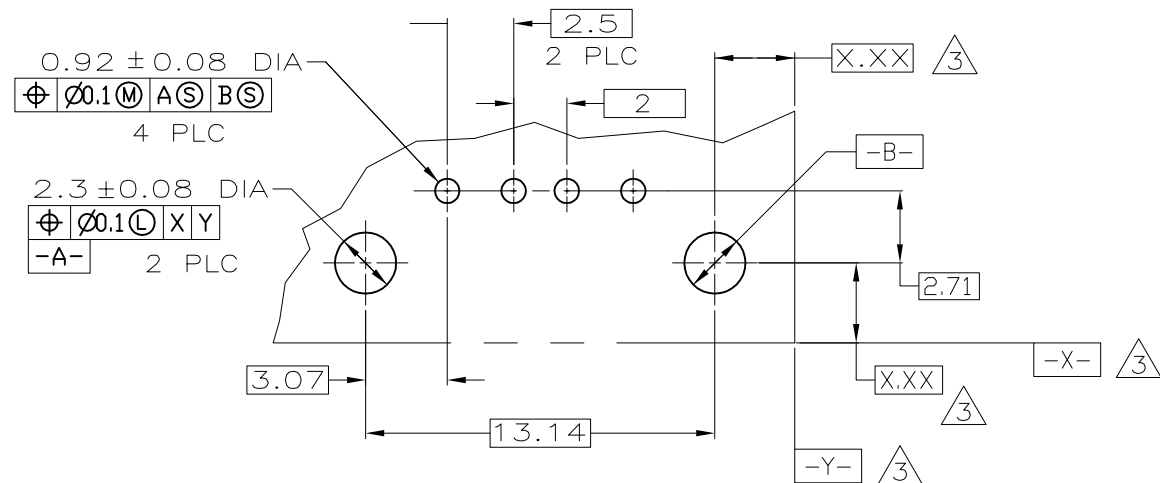
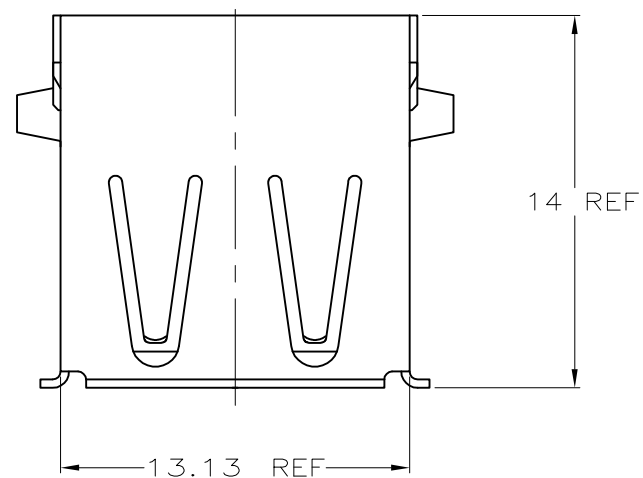
3

2

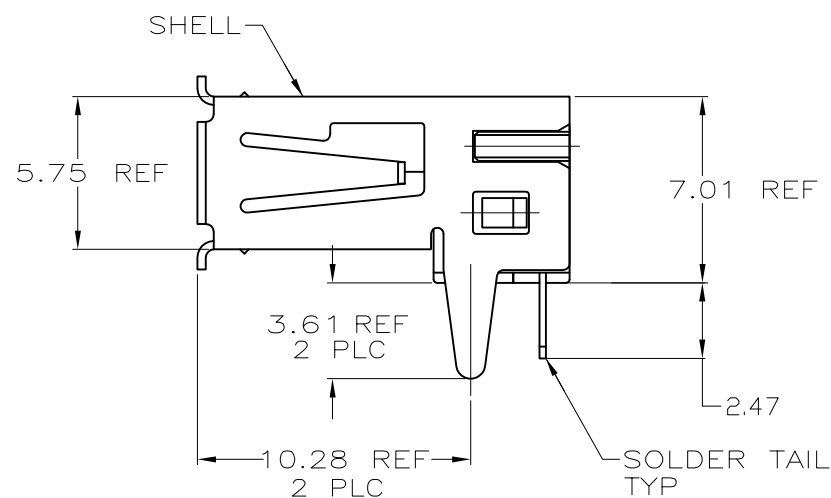
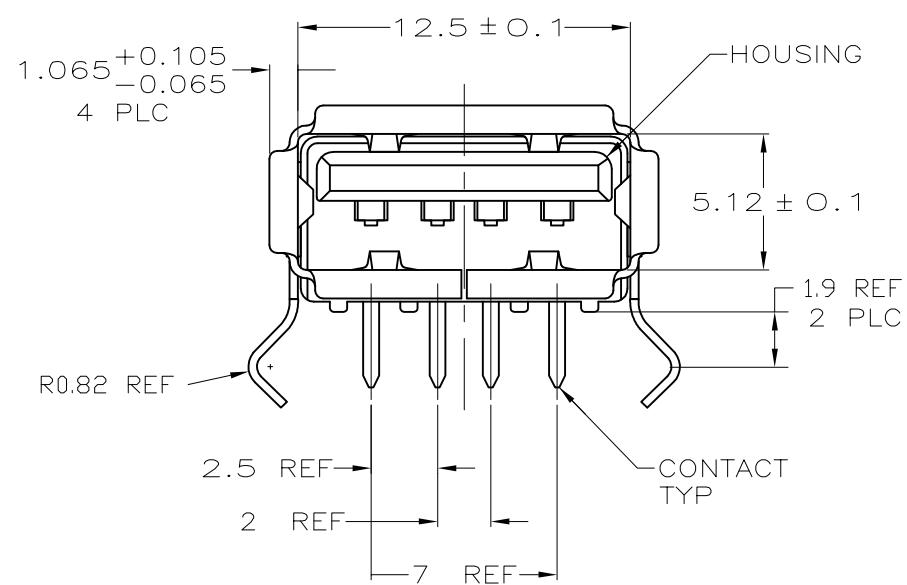
1

THIS DRAWING IS UNPUBLISHED. RELEASED FOR PUBLICATION  
 © COPYRIGHT - By - ALL RIGHTS RESERVED.

LOC	DIST	REVISIONS			
P	LTR	DESCRIPTION	DATE	DWN	APVD
ES	00	SEE SHEET 1	-	-	-



PC BOARD MOUNTING DIMENSIONS  $\Delta$ 4



- $\Delta$  MATERIAL:  
 $\Delta$ 1 SHELL- STAINLESS STEEL.  
 CONTACTS- COPPER ALLOY.  
 HOUSING: UL 94V-0 RATED, THERMOPLASTIC, COLOR SEE TABLE.
- $\Delta$  PLATING:  
 CONTACTS: 0.076  $\mu$ m MINIMUM GOLD OVER 0.76  $\mu$ m MINIMUM PALLADIUM-NICKEL ON MATING AREA.  
 3.8  $\mu$ m MINIMUM MATTE TIN ON SOLDER TAILS.  
 BOTH OVER 1.27  $\mu$ m MINIMUM NICKEL.  
 CONTACT ALTERNATE PLATING: 0.76  $\mu$ m MIN GOLD ON MATING AREA, 3.80  $\mu$ m MIN MATTE TIN ON SOLDER TAILS, BOTH OVER 1.27  $\mu$ m MIN NICKEL.  
 SHELL: 2~5  $\mu$ m MINIMUM BRIGHT TIN
- $\Delta$ 3 DATUM AND BASIC DIMENSIONS ESTABLISHED BY CUSTOMER.
- $\Delta$ 4 RECOMMENDED PC BOARD THICKNESS OF 1.2.

NO	NATURAL	292303-8
HIGH TEMPERATURE COMPATIBLE	HOUSING COLOR	PART NUMBER

THIS DRAWING IS A CONTROLLED DOCUMENT.		DWN J.JIANG 19FEB04	 TE Connectivity	
DIMENSIONS: mm		CHK S.YAO 19FEB04		
TOLERANCES UNLESS OTHERWISE SPECIFIED:		APVD T.SASAKI 19FEB04	NAME	
0 PLC $\pm$ -		PRODUCT SPEC	RECEPTACLE ASSEMBLY RIGHT	
1 PLC $\pm$ -		108-60034	ANGLE, 4 POSITION, T/H & SMT	
2 PLC $\pm$ 0.25		APPLICATION SPEC	USB, LEAD FREE VERSION	
3 PLC $\pm$ -		SIZE	CAGE CODE	DRAWING NO
4 PLC $\pm$ -		WEIGHT	A2 00779	C=292303
ANGLES $\pm$ -		CUSTOMER DRAWING	SCALE	SHEET
FINISH			5:1	3 OF 4

292303

4

3

2

1

THIS DRAWING IS UNPUBLISHED. RELEASED FOR PUBLICATION  
 © COPYRIGHT - By - ALL RIGHTS RESERVED.

LOC		DIST		REVISIONS			
P	LTR	DESCRIPTION	DATE	DWN	APVD		
ES	00	SEE SHEET 1	-	-	-		

RECOMMENDED MOUNTING PANEL CUTOUT

⚠ MATERIAL:  
 Ⓜ SHELL- STAINLESS STEEL.  
 CONTACTS- COPPER ALLOY.  
 HOUSING: UL 94V-0 RATED, THERMOPLASTIC, COLOR SEE TABLE.

⚠ PLATING:  
 CONTACTS: 0.076  $\mu\text{m}$  MINIMUM GOLD OVER 0.76  $\mu\text{m}$  MINIMUM PALLADIUM-NICKEL ON MATING AREA.  
 3.8  $\mu\text{m}$  MINIMUM MATTE TIN ON SOLDER TAILS.  
 BOTH OVER 1.27  $\mu\text{m}$  MINIMUM NICKEL.  
 CONTACT ALTERNATE PLATING: 0.76  $\mu\text{m}$  MIN GOLD ON MATING AREA, 3.80  $\mu\text{m}$  MIN MATTE TIN ON SOLDER TAILS, BOTH OVER 1.27  $\mu\text{m}$  MIN NICKEL.  
 SHELL: 2~5  $\mu\text{m}$  MINIMUM BRIGHT TIN

⚠ PANEL IS NEEDED FOR CUSTOMER.  
 ⚠ THIS P/N IS PRELIMINARY.

RECOMMENDED PC BOARD MOUNTING LAYOUT (TOLERANCE=±0.05)

YES	BLACK	1-292303-6 ⚠
YES	NATURAL	292303-9
HIGH TEMPERATURE COMPATIBLE	HOUSING COLOR	PART NUMBER

THIS DRAWING IS A CONTROLLED DOCUMENT.		DWN J.JIANG 19FEB04		
DIMENSIONS: mm		CHK S.YAO 19FEB04		
TOLERANCES UNLESS OTHERWISE SPECIFIED:		APVD T.SASAKI 19FEB04	NAME	
0 PLC ± -	1 PLC ± -	PRODUCT SPEC	RECEPTACLE ASSEMBLY RIGHT	
2 PLC ± 0.25	3 PLC ± -	108-60034	ANGLE, 4 POSITION, T/H & SMT	
4 PLC ± -	ANGLES ± -	APPLICATION SPEC	USB, LEAD FREE VERSION	
MATERIAL ⚠	FINISH ⚠	WEIGHT -	SIZE A2	CAGE CODE 00779
		CUSTOMER DRAWING	DRAWING NO C=292303	RESTRICTED TO -
		SCALE 5:1	SHEET 4 OF 4	REV E14

1471-9 (3/11)

292303

## X-ON Electronics

Largest Supplier of Electrical and Electronic Components

*Click to view similar products for [USB Connectors](#) category:*

*Click to view products by [TE Connectivity](#) manufacturer:*

Other Similar products are found below :

[65-647-8-BK-BU](#) [950](#) [952](#) [E8144-B01021-L](#) [A-USB B-TOP-C](#) [MUSBA511N5](#) [MUSBD11135](#) [217450-1](#) [KMBVX-TH-5S-B30](#) [896-30-004-00-000000](#) [KUSBVX-BS1N-W30](#) [KUSBX-AP-KIT-SCBLK](#) [KUSBX-AS2N-W](#) [KUSBX-SMT2AP1S-W](#) [KUSBX-SMT2AP1S-W30](#) [935](#) [957](#) [30-498-6](#) [17-210051](#) [1734082-1](#) [30-1574](#) [30-470](#) [30-489](#) [30-541](#) [30-572-3](#) [A-USB A-2P-C](#) [MIKROE-1451](#) [USBFTV2PEM2G](#) [USBFTVC6ZN](#) [KUSBX-AS2N-W30](#) [KUSBX-SLAS1N-W](#) [KUSBX-SMT-AS1N-W30](#) [4689-1](#) [1-1734084-2](#) [E8110-001-01](#) [33UBARS1-04SW11](#) [33UBAR-04SW11](#) [USBF21ZNSCC](#) [USBBFTV6ZC](#) [10135326-001LF](#) [USB-A-S-F-B-VT](#) [925](#) [4198](#) [690-024-633-031](#) [KUSBEX-BSFS1N-W](#) [USBFTVC6MRG](#) [UA-20BMFA-SL8001](#) [17-250101](#) [USBFTVC7ZC](#) [USBFTV75NF459](#)