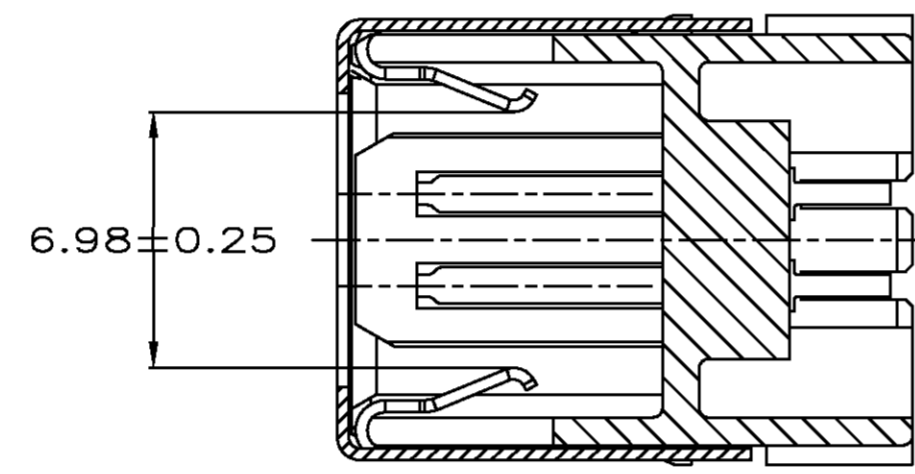
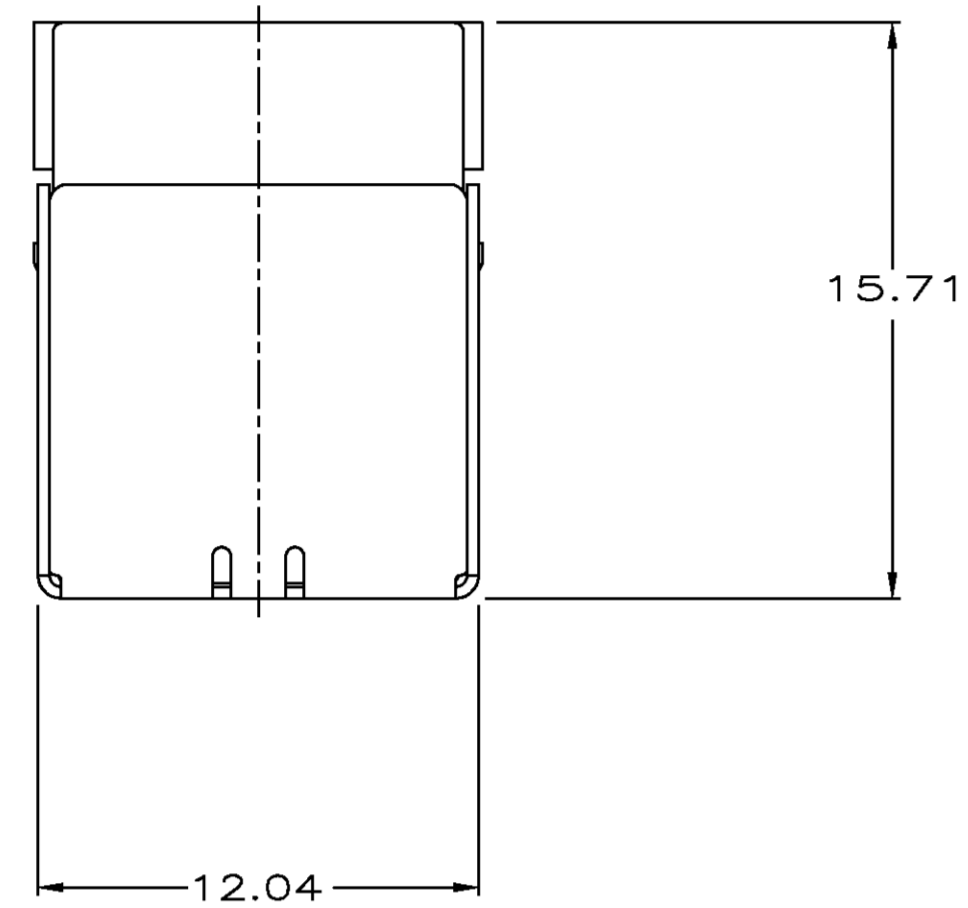
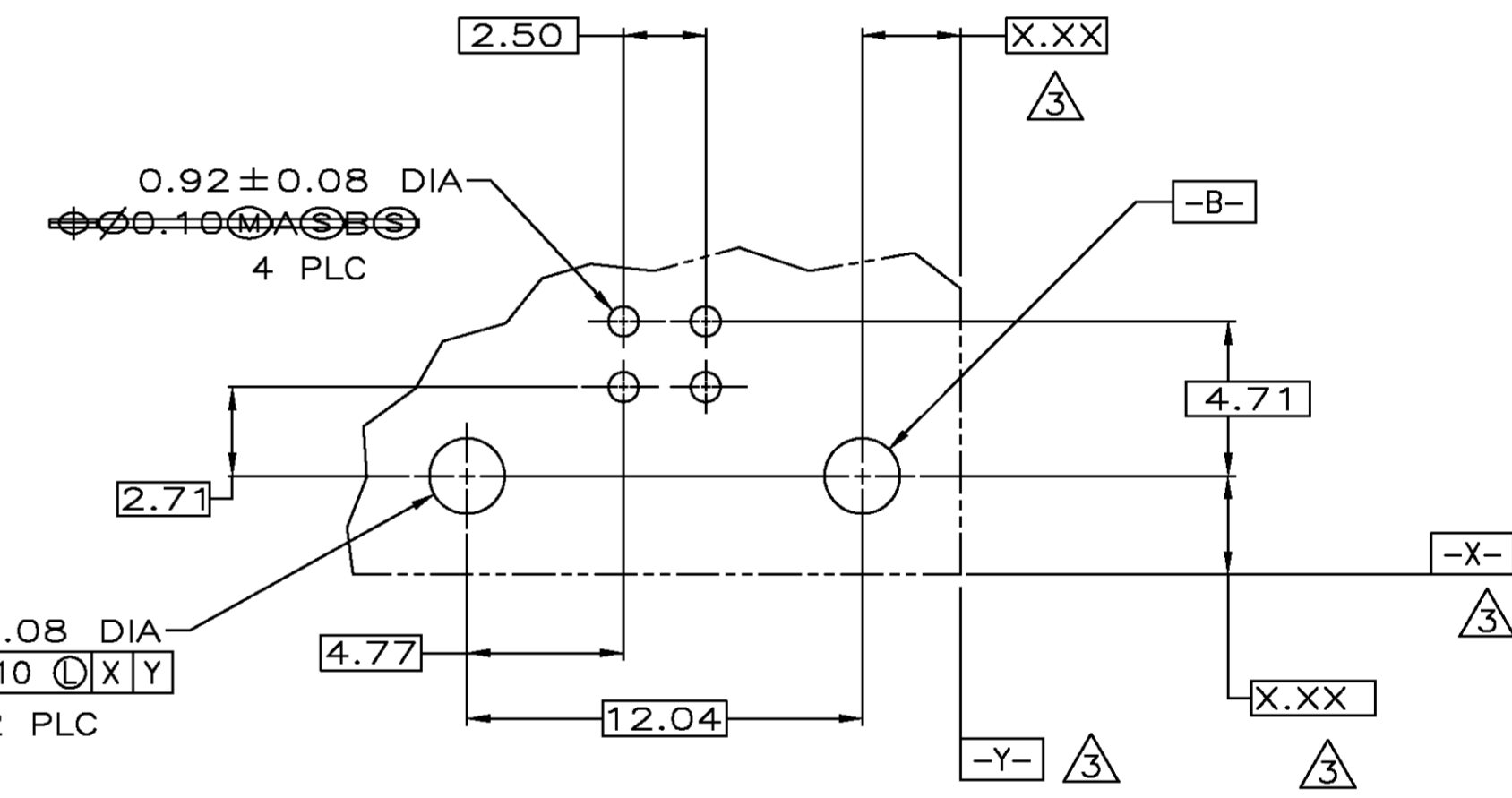


REV	DESCRIPTION	DATE	DWN	APPD
C1	REVISED ECR-08-009268	11APR08	A.Z	S.Y
C2	REVISED PER ECO-09-021826	27JAN2010	KK	HMR
C3	REVISED PER ECR-16-013723	26JUN17	TZ	HW

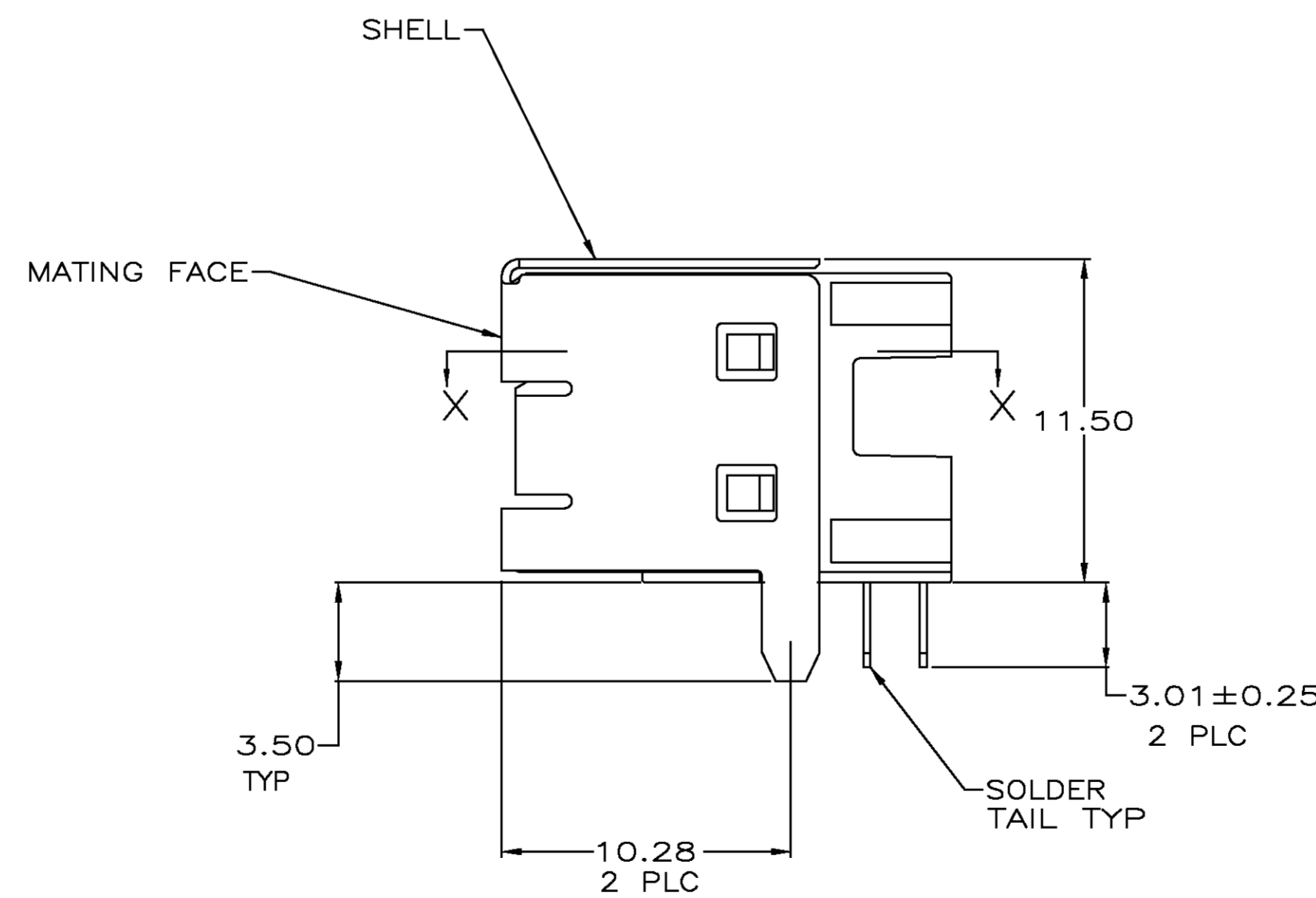
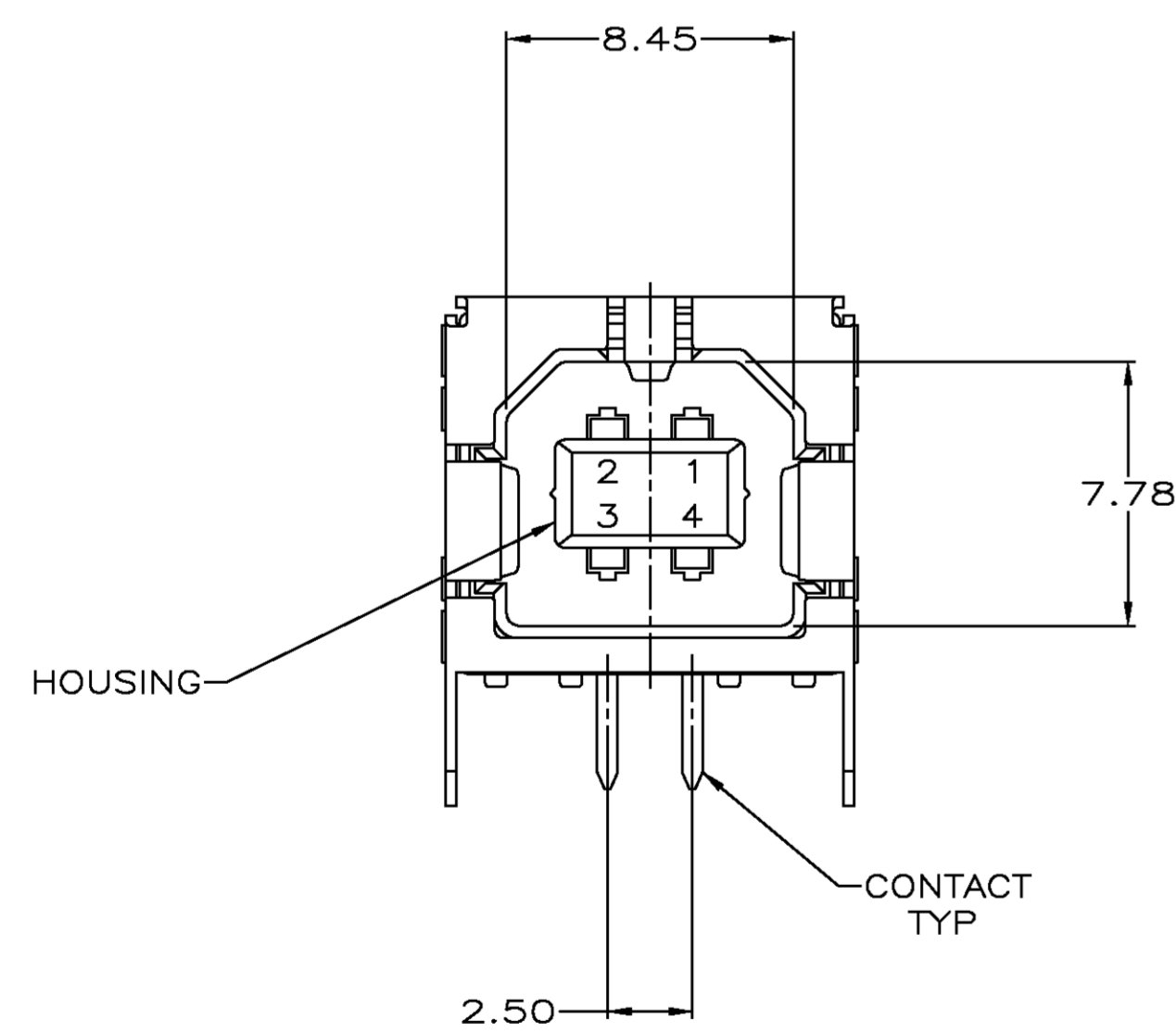
- △ CONTACTS: COPPER ALLOY.
- Ⓢ SHELL: STAINLESS STEEL.
- HOUSING: UL 94V-0 RATED THERMOPLASTIC, COLOR: SEE TABLE.
- △ CONTACTS: 0.076 um MINIMUM GOLD OVER
0.76 um MINIMUM PALLADIUM NICKEL ON MATING AREA.
3.80 um MINIMUM MATTE TIN ON SOLDER TAILS
ALL OVER 1.27 um MINIMUM NICKEL.
SHELL: 2~5 um MINIMUM BRIGHT TIN.
- △ DATUM AND BASIC DIMENSIONS ESTABLISHED BY CUSTOMER.
- △ RECOMMENDED PC BOARD THICKNESS 1.57.
- △ CONTACTS: 0.076 um MINIMUM GOLD OVER
0.76 um MINIMUM PALLADIUM NICKEL ON MATING AREA.
3.80 um MINIMUM MATTE TIN ON SOLDER TAILS
ALL OVER 1.27 um MINIMUM NICKEL.
SHELL: 1.27 um MINIMUM NICKEL ALL OVER, TIN DIPPED ON TAILS.
- 6 RECOMMEND:
MATING FORCE: 35N MAX.
UNMATING FORCE: 13N MIN.
RECOMMENDED MATING PLUG SHOULD MEET USB2.0 STANDARD.
- △ OBSOLETE PARTS: OBSOLETE CIS STREAMLINING PER D.RENAUD/D.SINISI



SECTION X-X



RECOMMENDED PC BOARD MOUNTING DIMENSIONS



△ OBSOLETE	YES	△	BLACK	292317-4
	NO	△	BLACK	292317-3
SUPERSEDED BY 292317-4	YES	△	BLACK	292317-1

HIGH TEMPERATURE COMPATIBLE		FINISH	HOUSING COLOR	PART NUMBER
SEE TABLE		SEE TABLE	SEE TABLE	292317-4

DIMENSIONS: mm		TOLERANCES UNLESS OTHERWISE SPECIFIED:		DWN: J.JIANG 20FEB04		DRW: S.YAO 20FEB04		APVD: T.SASAKI 20FEB04		NAME: RECEPTACLE ASSEMBLY, RIGHT ANGLE, 4 POSTIONS THRU-HOLE, TYPE B, UNIVERSAL SERIAL BUS LEAD FREE VERSION	
0 PLC	±	1 PLC	±	2 PLC	±0.10	3 PLC	±	4 PLC	±	ANGLES	±
MATERIAL: △		FINISH: SEE TABLE		WEIGHT: -		SIZE: A1		CAGE CODE: 00779		DRAWING NO: ©=292317	
CUSTOMER DRAWING		SCALE: 5:1		SHEET: 1 OF 1		REV: C3					

X-ON Electronics

Largest Supplier of Electrical and Electronic Components

Click to view similar products for [USB Connectors](#) category:

Click to view products by [TE Connectivity](#) manufacturer:

Other Similar products are found below :

[65-647-8-BK-BU](#) [950](#) [952](#) [E8144-B01021-L](#) [A-USB B-TOP-C](#) [MUSBA511N5](#) [MUSBD11135](#) [217450-1](#) [KMBVX-TH-5S-B30](#) [896-30-004-00-000000](#) [KUSBVX-BS1N-W30](#) [KUSBX-AP-KIT-SCBLK](#) [KUSBX-AS2N-W](#) [KUSBX-SMT2AP1S-W](#) [KUSBX-SMT2AP1S-W30](#) [935](#) [957](#) [30-498-6](#) [SK-60A-2](#) [17-210051](#) [1734082-1](#) [30-1574](#) [30-470](#) [30-489](#) [30-541](#) [30-572-3](#) [A-USB A-2P-C](#) [MIKROE-1451](#) [USBFTV2PEM2G](#) [USBFTVC6ZN](#) [KUSBX-AS2N-W30](#) [KUSBX-SLAS1N-W](#) [KUSBX-SMT-AS1N-W30](#) [4689-1](#) [1-1734084-2](#) [E8110-001-01](#) [33UBARS1-04SW11](#) [33UBAR-04SW11](#) [USBF21ZNSCC](#) [USBBFTV6ZC](#) [10135326-001LF](#) [M9177/3-1](#) [USB-A-S-F-B-VT](#) [925](#) [4198](#) [690-024-633-031](#) [KUSBEX-BSFS1N-W](#) [USBFTVC6MRG](#) [UA-20BMFA-SL8001](#) [17-250101](#)