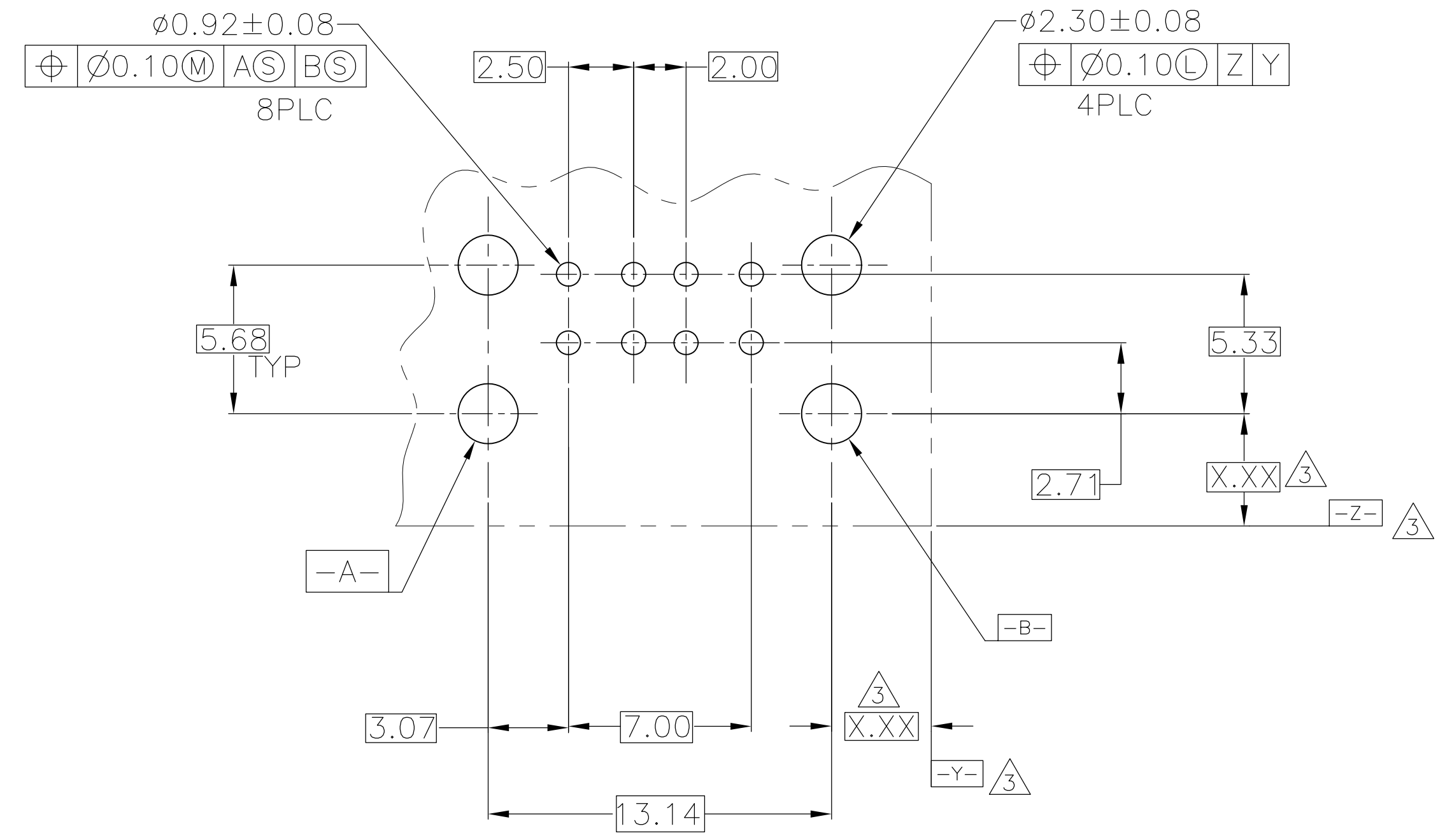
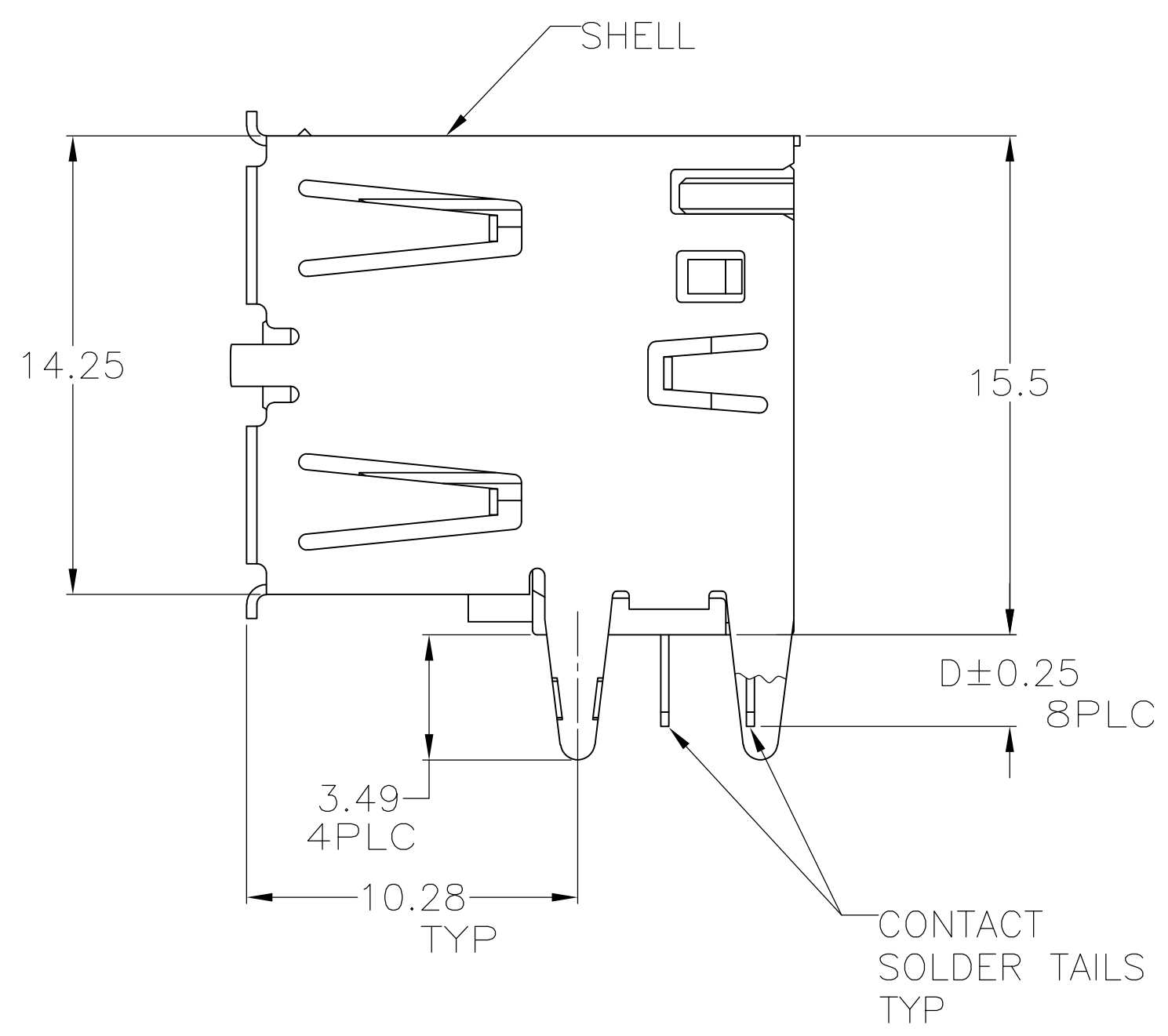
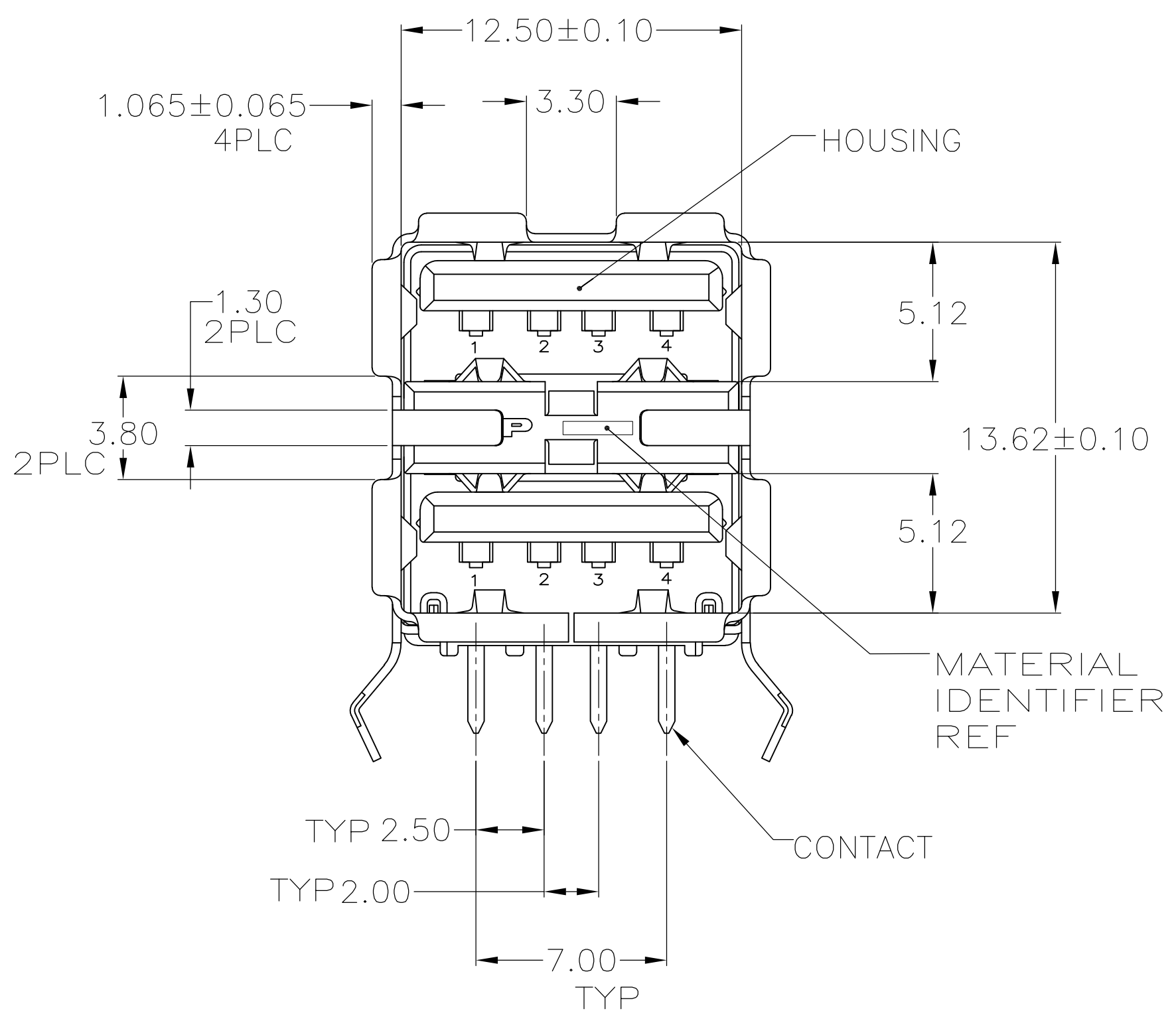


- ⚠ MATERIAL:  
SHELL & CONTACT-COPPER ALLOY  
HOUSING-UL 94V-0 RATED, THERMOPLASTIC,SEE TABLE
- ⚠ PLATING:  
CONTACT- 0.076um MIN. GOLD OVER 0.76um MIN.  
PALLADIUM-NICKEL ON MATING AREA ,OR CONTACT ALTERNATE  
PLATING 0.76um MIN. GOLD ON MATING AREA.  
3.8um MIN. MATTE TIN ON SOLDER TAILS.  
BOTH OVER 1.27um MIN. NICKEL.  
SHELL:2~6.5um MIN. BRIGHT TIN.
- ⚠ DATUM AND BASIC DIMENSIONS ESTABLISHED BY CUSTOMER.
- ⚠ RECOMMENDED PC BOARD THICKNESS 1.57.



RECOMMENDED PC BOARD MOUNTING DIMENSIONS

NO	3.24	BLACK	292323-6
YES	2.29	BLACK	292323-5
YES	2.84	BLACK	292323-4
NO	2.84	NATU	292323-3
NO	2.29	BLACK	292323-2
NO	2.84	BLACK	292323-1

HIGH TEMPERATURE COMPATIBLE	D	HOUSING COLOR	PART NUMBER
-----------------------------	---	---------------	-------------

THIS DRAWING IS A CONTROLLED DOCUMENT.

DIMENSIONS: mm 0 PLC ± - 1 PLC ± - 2 PLC ± 0.13 3 PLC ± - 4 PLC ± - ANGLES ± -	TOLERANCES UNLESS OTHERWISE SPECIFIED: 0 PLC ± - 1 PLC ± - 2 PLC ± 0.13 3 PLC ± - 4 PLC ± - ANGLES ± -	DWN SUNNY XU 25FEB2004 CHK S. YAO 25FEB04 APVD T.SASAKI 25FEB04 NAME RECEPTACLE ASSEMBLY ,RIGHT ANGLE STACKED,THRU-HOLE USB APPLICATION SPEC 108-1586 APPLICATION SPEC 114-40054 WEIGHT - SCALE 5:1 SHEET 1 OF 1 REV E1	Tyco Electronics Corporation Shanghai, P.R.China, 200233 SIZE A1 CASE CODE 00779 DRAWING NO. C-292323 RESTRICTED TO CUSTOMER DRAWING
---	--	--	---

## X-ON Electronics

Largest Supplier of Electrical and Electronic Components

*Click to view similar products for [USB Connectors](#) category:*

*Click to view products by [TE Connectivity](#) manufacturer:*

Other Similar products are found below :

[65-647-8-BK-BU](#) [950](#) [952](#) [E8144-B01021-L](#) [A-USB B-TOP-C](#) [MUSBA511N5](#) [MUSBD11135](#) [217450-1](#) [KMBVX-TH-5S-B30](#) [896-30-004-00-000000](#) [KUSBVX-BS1N-W30](#) [KUSBX-AP-KIT-SCBLK](#) [KUSBX-AS2N-W](#) [KUSBX-SMT2AP1S-W](#) [KUSBX-SMT2AP1S-W30](#) [935](#) [957](#) [30-498-6](#) [SK-60A-2](#) [17-210051](#) [1734082-1](#) [30-1574](#) [30-470](#) [30-489](#) [30-541](#) [30-572-3](#) [A-USB A-2P-C](#) [MIKROE-1451](#) [USBFTV2PEM2G](#) [USBFTVC6ZN](#) [KUSBX-AS2N-W30](#) [KUSBX-SLAS1N-W](#) [KUSBX-SMT-AS1N-W30](#) [4689-1](#) [1-1734084-2](#) [E8110-001-01](#) [33UBARS1-04SW11](#) [33UBAR-04SW11](#) [USBF21ZNSCC](#) [USBBFTV6ZC](#) [10135326-001LF](#) [USB-A-S-F-B-VT](#) [925](#) [4198](#) [690-024-633-031](#) [KUSBEX-BSFS1N-W](#) [USBFTVC6MRG](#) [UA-20BMFA-SL8001](#) [17-250101](#) [USBFTVC7ZC](#)