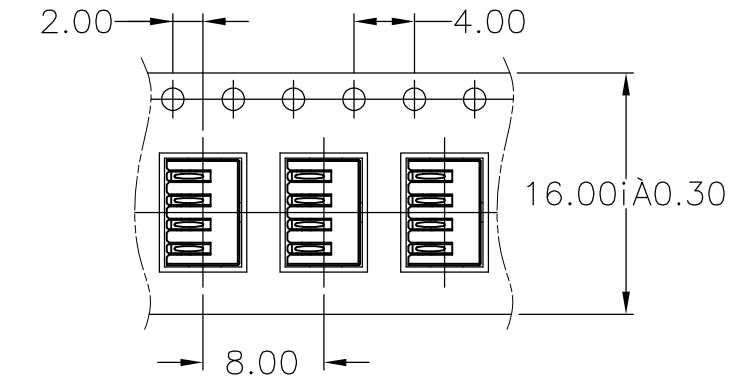
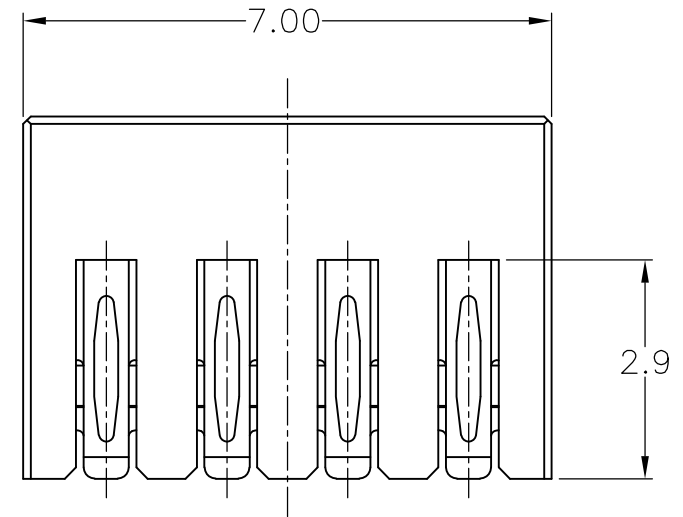


THIS DRAWING IS UNPUBLISHED. RELEASED FOR PUBLICATION  
 © COPYRIGHT BY TYCO ELECTRONICS CORPORATION. ALL RIGHTS RESERVED.

LOC	DIST	REVISIONS					
ES	00	P	LTR	DESCRIPTION	DATE	DWN	APVD
			B3	REVISED ECR-10-000344	07JAN2010	K.L.	S.Y

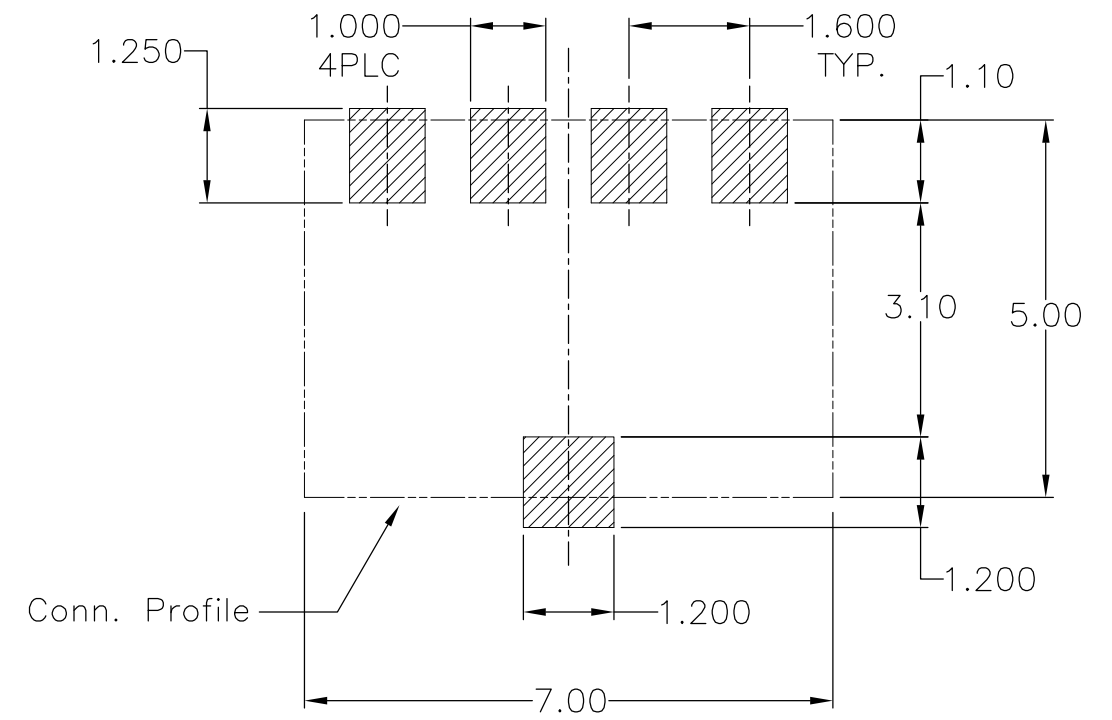
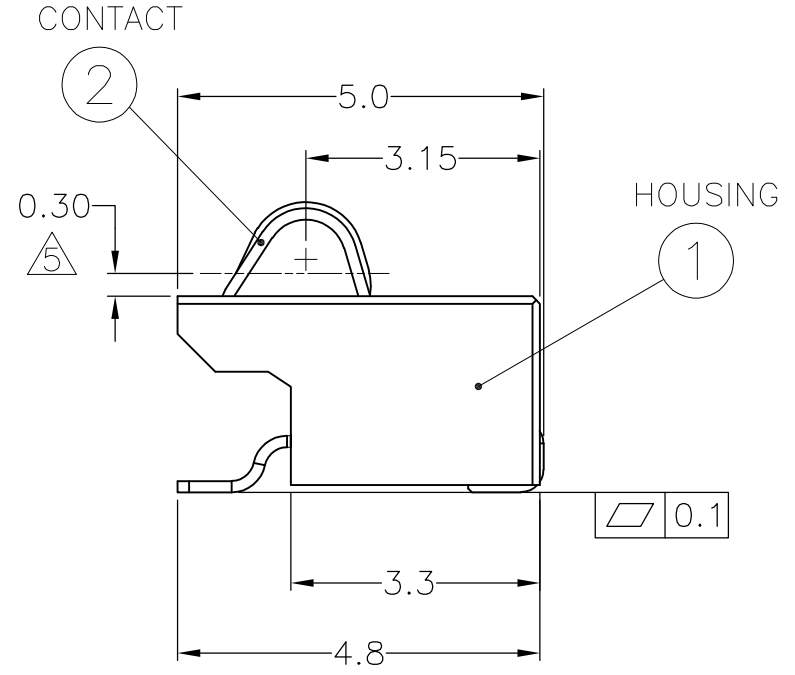
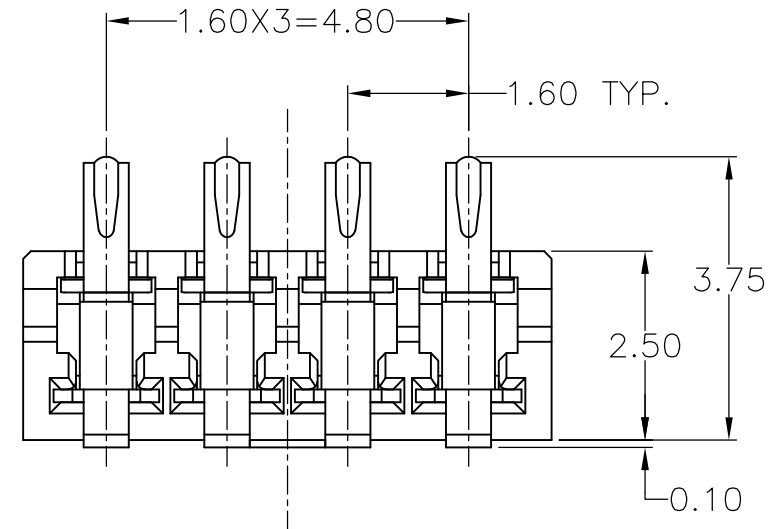
NOTES:

- 1 MATERIAL: CONTACT: COPPER ALLOY.  
HOUSING: THERMOPLASTIC BLACK LCP OR EQUIVALENT, UL 94V-0.
- 2 FINISH: 15 MICROINCH (0.38 MICRON) GOLD PLATING ON CONTACT AREA, GOLD FLASH PLATING ON SOLDER AREA, OVER 50 MICROINCH (1.27 MICRON) NICKEL PLATING OVERALL.
- 3 PRODUCT TO BE PACKAGED IN ANTI-STATIC TAPE AND REEL.
- 4 NORMAL FORCE IS 80g MIN. WHEN A CONTACT BE PRESSED TO HOUSING'S SURFACE.
- 5 CONTACT SHOULD BE PRESSED TO THIS AREA WHEN APPLICATION..

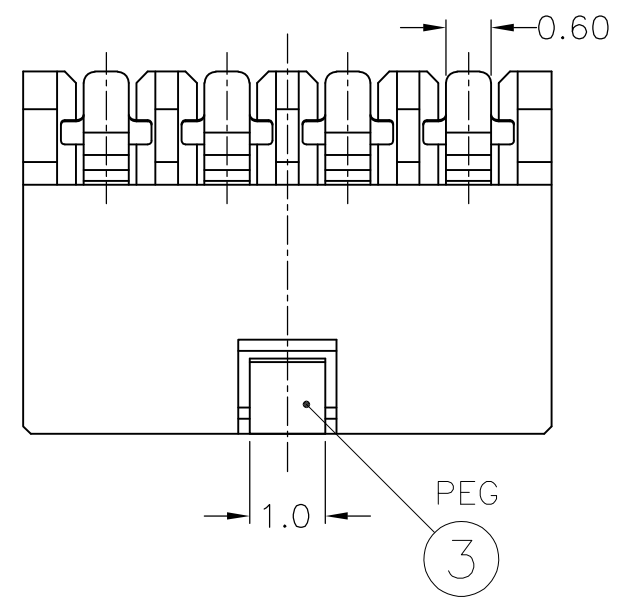


DIRECTION REEL OFF BY CUSTOMER

Tape material: PS black conductive  
 Reel diameter: 330mm  
 Components / reel: 1500pcs



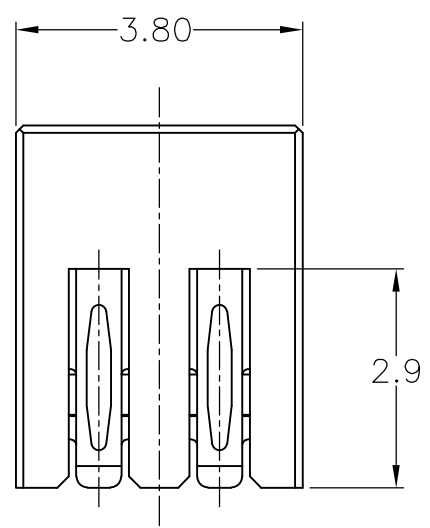
P/N: 292331-1 AS SHOWN



THIS DRAWING IS A CONTROLLED DOCUMENT.		DWN	10AUG2004	 Tyco Electronics Corporation Shanghai, P.R.China, 200233
DIMENSIONS: mm		CHK	10AUG2004	
TOLERANCES UNLESS OTHERWISE SPECIFIED:		APVD	10AUG2004	
0 PLC ± - 1 PLC ± 0.2 2 PLC ± 0.10 3 PLC ± 0.050 4 PLC ± - ANGLES ± -		NAME		
MATERIAL		PRODUCT SPEC	BATTERY 4P SMT 1.6MM PITCH ASSEMBLY CONNECTOR	
FINISH		APPLICATION SPEC	-	
		WEIGHT	-	
		CUSTOMER DRAWING	SCALE	10:1
			SHEET	1 OF 4
			REV	B3

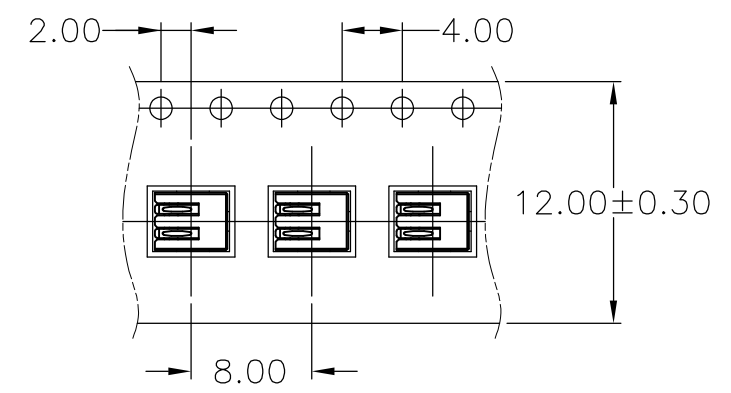
THIS DRAWING IS UNPUBLISHED. RELEASED FOR PUBLICATION  
 © COPYRIGHT BY TYCO ELECTRONICS CORPORATION. ALL RIGHTS RESERVED.

LOC	DIST	REVISIONS					
ES	00	P	LTR	DESCRIPTION	DATE	DWN	APVD
				SEE SHEET 1			

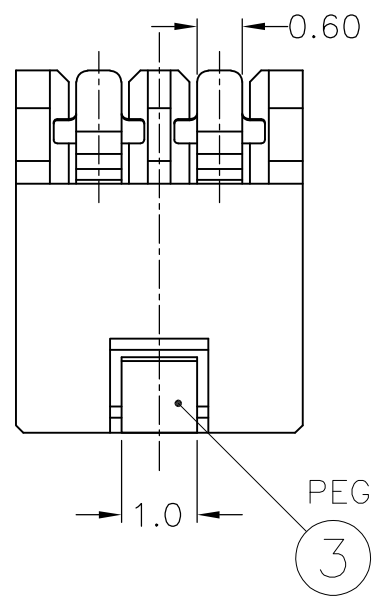
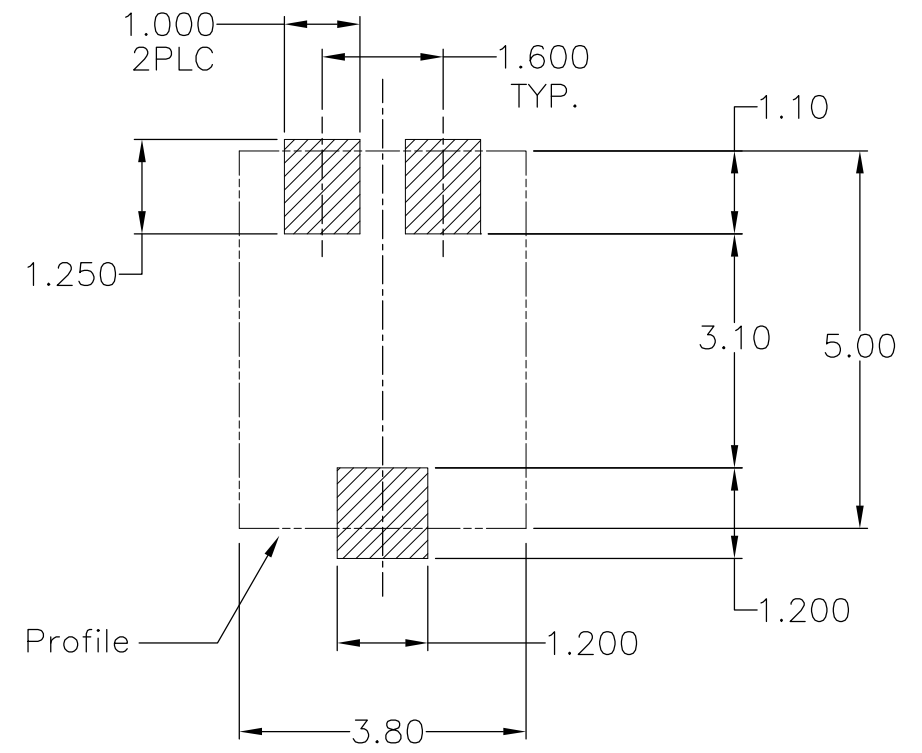
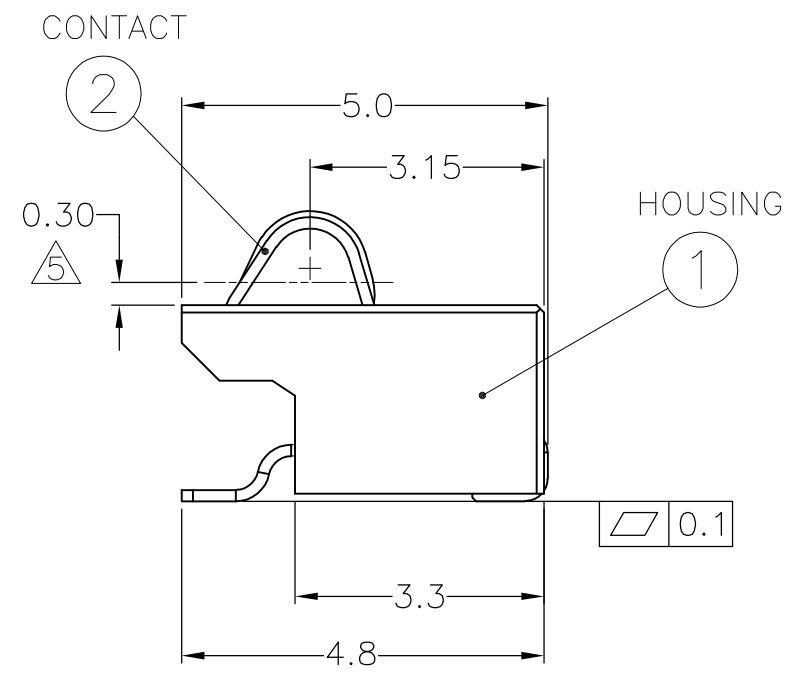
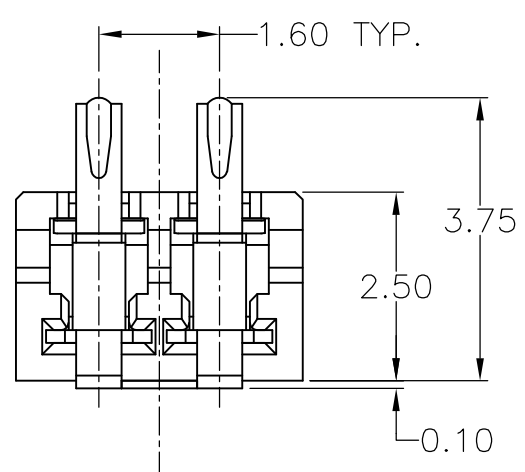


NOTES:

- MATERIAL: CONTACT: COPPER ALLOY.  
HOUSING: THERMOPLASTIC BLACK LCP OR EQUIVALENT, UL 94V-0.
  - FINISH: 15 MICRINCH (0.38 MICRON) GOLD PLATING ON CONTACT AREA, GOLD FLASH PLATING ON SOLDER AREA, OVER 50 MICRINCH (1.27 MICRON) NICKEL PLATING OVERALL.
  - PRODUCT TO BE PACKAGED IN ANTI-STATIC TAPE AND REEL.
  - NORMAL FORCE IS 80g MIN. WHEN A CONTACT BE PRESSED TO HOUSING'S SURFACE.
- ⚠ CONTACT SHOULD BE PRESSED TO THIS AREA WHEN APPLICATION..



DIRECTION REEL OFF BY CUSTOMER →  
 Tape material: PS black conductive  
 Reel diameter: 330mm  
 Components / reel: 1500pcs



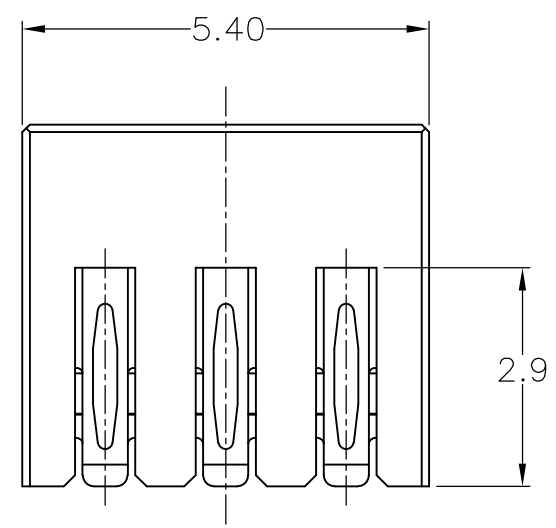
P/N: 292331-2 AS SHOWN(NO TOOLED)

RECOMMENDED PCB LAYOUT

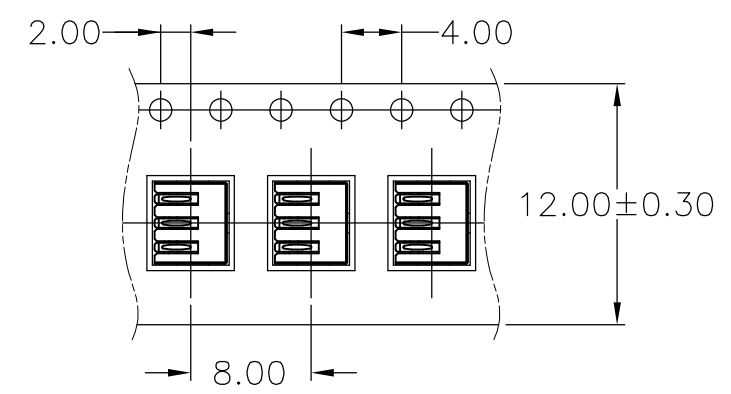
THIS DRAWING IS A CONTROLLED DOCUMENT.		DWN	Ivanov Wang	10AUG2004	Tyco Electronics Corporation Shanghai, P.R.China, 200233						
DIMENSIONS: mm		CHK	Steven Yao	10AUG2004	BATTERY 2P SMT 1.6MM PITCH ASSEMBLY CONNECTOR						
TOLERANCES UNLESS OTHERWISE SPECIFIED:		APVD	Ikuo Enomoto	10AUG2004	-						
0 PLC ± -		PRODUCT SPEC	-								
1 PLC ± 0.2		APPLICATION SPEC	-								
2 PLC ± 0.10		WEIGHT	-								
3 PLC ± 0.050		SIZE		A3	CAGE CODE	00779	DRAWING NO	C-292331	RESTRICTED TO	-	
4 PLC ± -		MATERIAL		CUSTOMER DRAWING		SCALE	10:1	SHEET	2 OF 4	REV	B3
ANGLES ± -		FINISH									

THIS DRAWING IS UNPUBLISHED. RELEASED FOR PUBLICATION  
 © COPYRIGHT BY TYCO ELECTRONICS CORPORATION. ALL RIGHTS RESERVED.

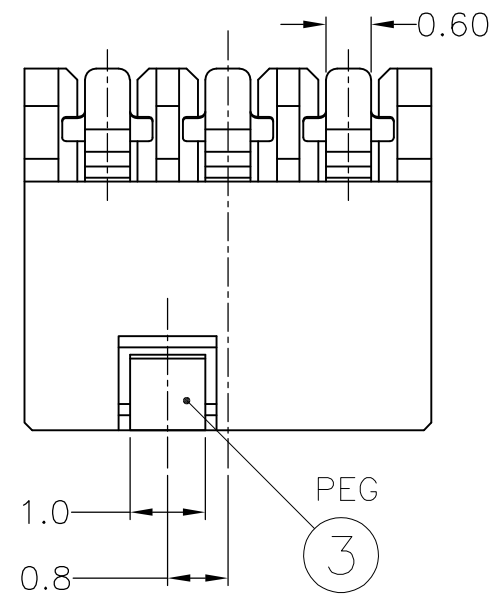
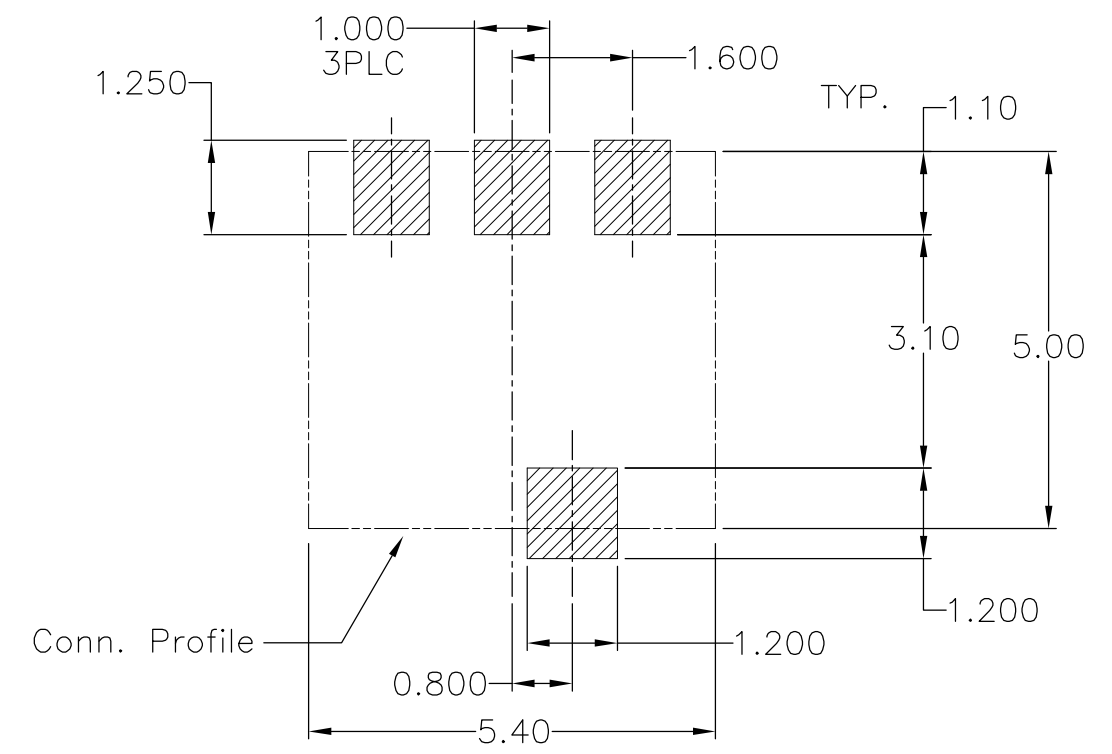
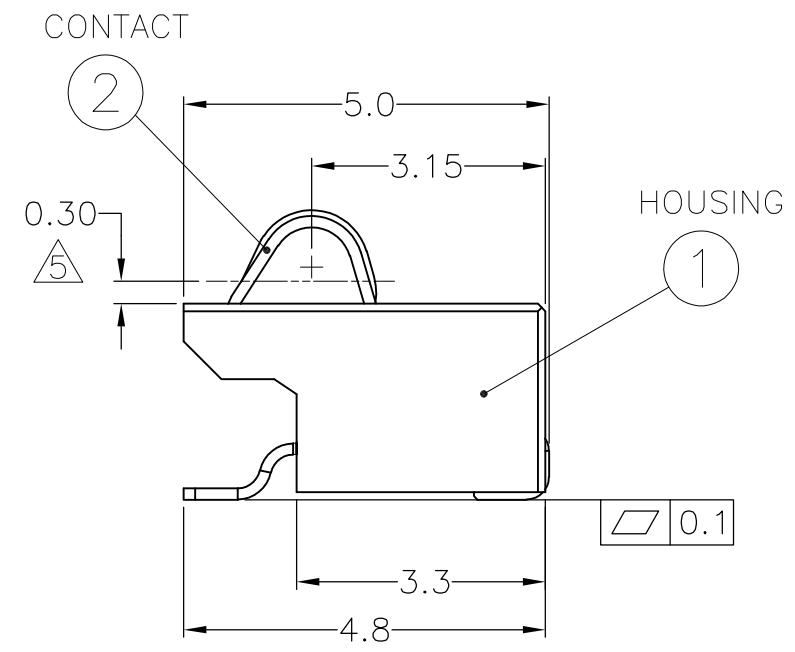
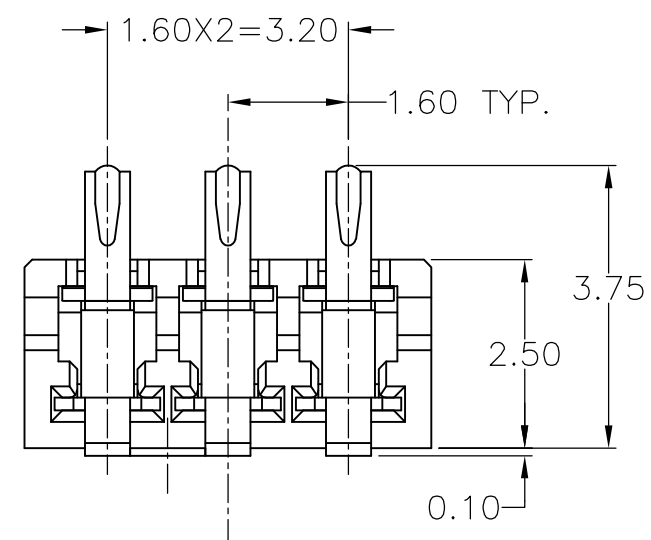
LOC	DIST	REVISIONS					
ES	00	P	LTR	DESCRIPTION	DATE	DWN	APVD
		-		SEE SHEET 1	-	-	-



- NOTES:
- MATERIAL: CONTACT: COPPER ALLOY.  
HOUSING: THERMOPLASTIC BLACK LCP OR EQUIVALENT, UL 94V-0.
  - FINISH: 15 MICRINCH (0.38 MICRON) GOLD PLATING ON CONTACT AREA, GOLD FLASH PLATING ON SOLDER AREA, OVER 50 MICRINCH (1.27 MICRON) NICKEL PLATING OVERALL.
  - PRODUCT TO BE PACKAGED IN ANTI-STATIC TAPE AND REEL.
  - NORMAL FORCE IS 80g MIN. WHEN A CONTACT BE PRESSED TO HOUSING'S SURFACE.
- ⚠ CONTACT SHOULD BE PRESSED TO THIS AREA WHEN APPLICATION..



Tape material: PS black conductive  
 Reel diameter: 330mm  
 Components / reel: 1500pcs



P/N: 292331-3 AS SHOWN

RECOMMENDED PCB LAYOUT

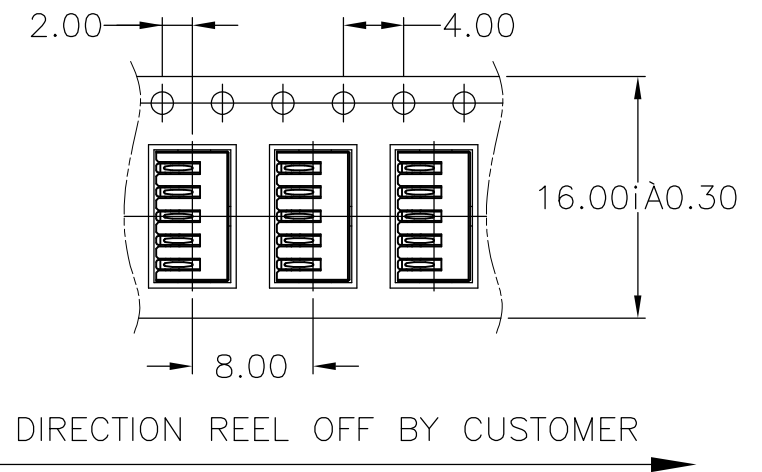
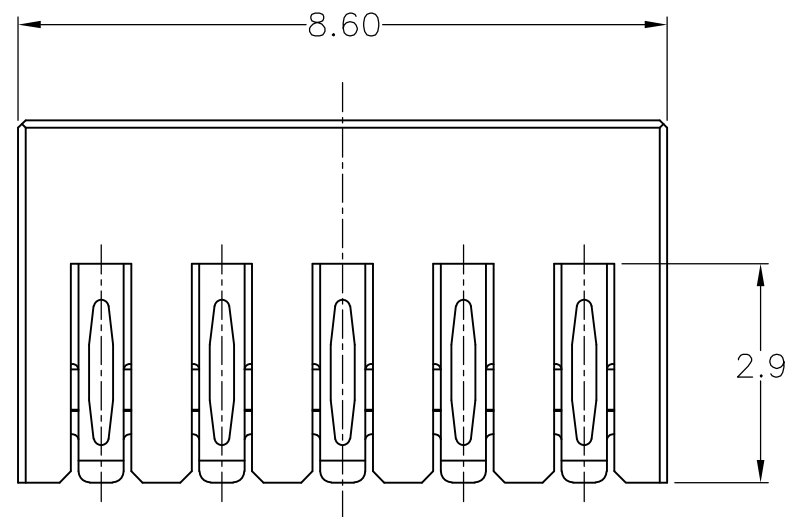
THIS DRAWING IS A CONTROLLED DOCUMENT.		DWN Ivanov Wang 10AUG2004	Tyco Electronics Corporation Shanghai, P.R.China, 200233	
DIMENSIONS: mm		CHK Steven Yao 10AUG2004	NAME BATTERY 3P SMT 1.6MM PITCH ASSEMBLY CONNECTOR	
TOLERANCES UNLESS OTHERWISE SPECIFIED:		APVD Ikuo Enomoto 10AUG2004	SIZE A3	
0 PLC ± -		PRODUCT SPEC	CAGE CODE 00779	DRAWING NO 292331
1 PLC ± 0.2		APPLICATION SPEC	RESTRICTED TO	
2 PLC ± 0.10		WEIGHT	-	
3 PLC ± 0.050		CUSTOMER DRAWING		
4 PLC ± -		SCALE 10:1		
ANGLES ± -		SHEET 3 OF 4		
FINISH		REV B3		

THIS DRAWING IS UNPUBLISHED. RELEASED FOR PUBLICATION  
 © COPYRIGHT BY TYCO ELECTRONICS CORPORATION. ALL RIGHTS RESERVED.

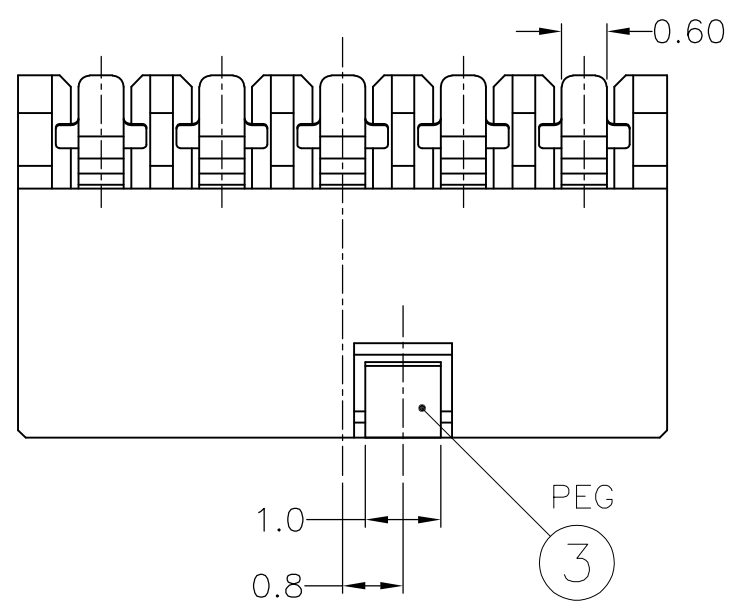
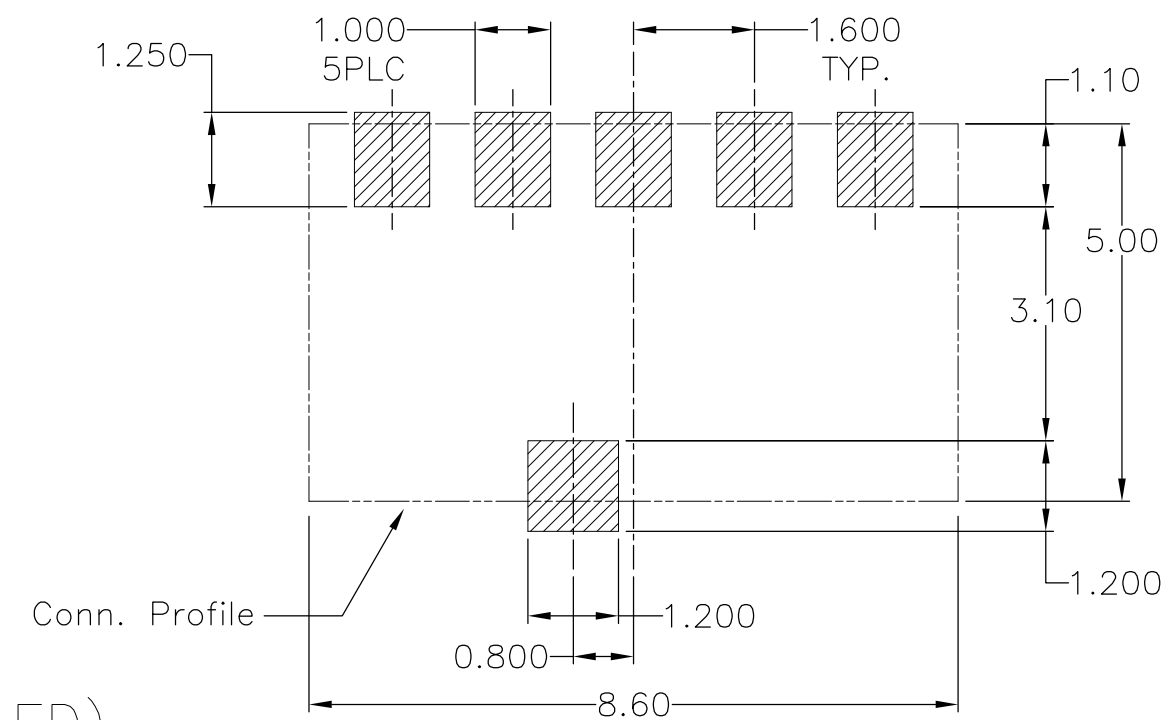
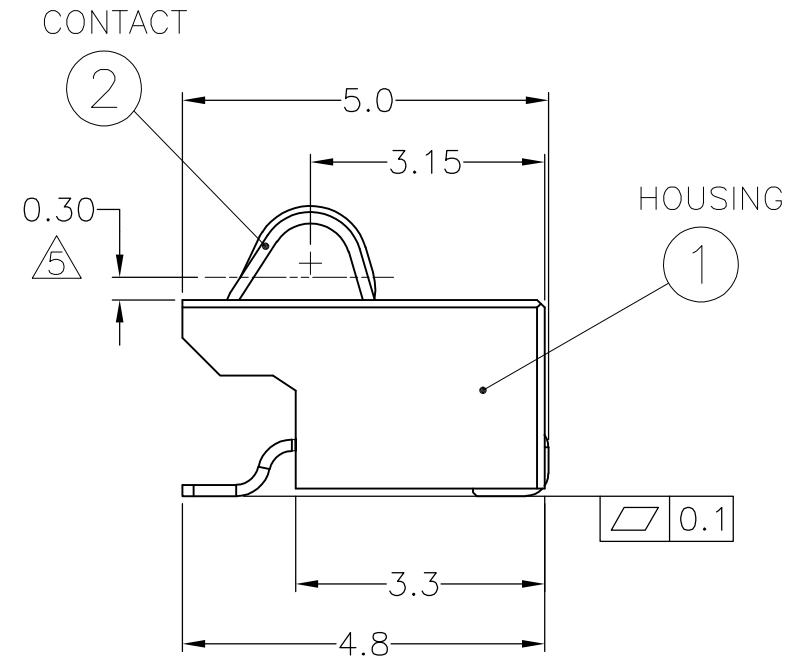
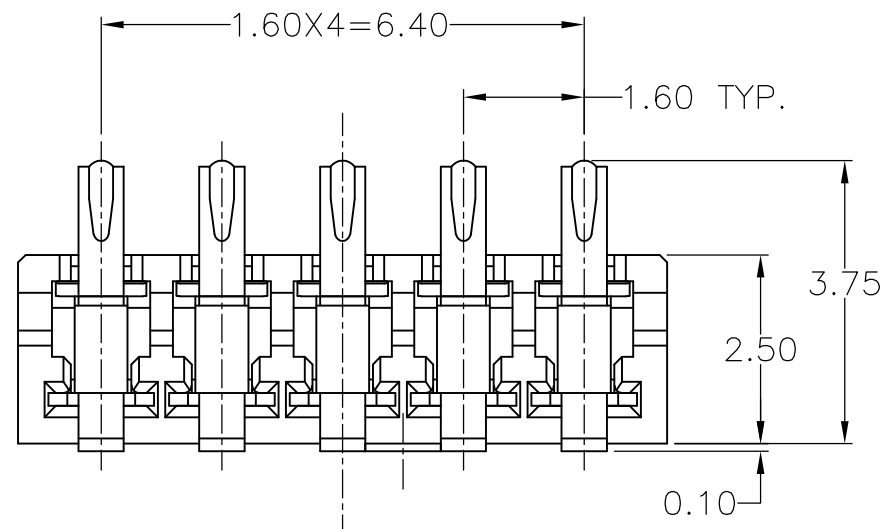
LOC	DIST	REVISIONS					
ES	00	P	LTR	DESCRIPTION	DATE	DWN	APVD
				SEE SHEET 1			

NOTES:

- MATERIAL: CONTACT: COPPER ALLOY.  
HOUSING: THERMOPLASTIC BLACK LCP OR EQUIVALENT, UL 94V-0.
  - FINISH: 15 MICROINCH (0.38 MICRON) GOLD PLATING ON CONTACT AREA, GOLD FLASH PLATING ON SOLDER AREA, OVER 50 MICROINCH (1.27 MICRON) NICKEL PLATING OVERALL.
  - PRODUCT TO BE PACKAGED IN ANTI-STATIC TAPE AND REEL.
  - NORMAL FORCE IS 80g MIN. WHEN A CONTACT BE PRESSED TO HOUSING'S SURFACE.
- ⚠ CONTACT SHOULD BE PRESSED TO THIS AREA WHEN APPLICATION..



Tape material: PS black conductive  
 Reel diameter: 330mm  
 Components / reel: 1500pcs



P/N: 292331-5 AS SHOWN(NO TOOLED)

RECOMMENDED PCB LAYOUT

THIS DRAWING IS A CONTROLLED DOCUMENT.		DWN	Ivanov Wang	10AUG2004	Tyco Electronics Corporation Shanghai, P.R.China, 200233
DIMENSIONS: mm		CHK	Steven Yao	10AUG2004	
TOLERANCES UNLESS OTHERWISE SPECIFIED:		APVD	Ikuo Enomoto	10AUG2004	
0 PLC ± - 1 PLC ± 0.2 2 PLC ± 0.10 3 PLC ± 0.050 4 PLC ± - ANGLES ± - FINISH		PRODUCT SPEC		NAME	
MATERIAL		APPLICATION SPEC		BATTERY 5P SMT 1.6MM PITCH ASSEMBLY CONNECTOR	
		WEIGHT		RESTRICTED TO	
		CUSTOMER DRAWING		SIZE	A3
				CAGE CODE	00779
				DRAWING NO	C-292331
				SCALE	10:1
				SHEET	4 OF 4
				REV	B3

## X-ON Electronics

Largest Supplier of Electrical and Electronic Components

*Click to view similar products for [USB Connectors](#) category:*

*Click to view products by [TE Connectivity](#) manufacturer:*

Other Similar products are found below :

[65-647-8-BK-BU](#) [950](#) [952](#) [E8144-B01021-L](#) [A-USB B-TOP-C](#) [MUSBA511N5](#) [MUSBD11135](#) [217450-1](#) [CA 6 W LD](#) [KMBVX-TH-5S-B30](#)  
[896-30-004-00-000000](#) [KUSBVX-BS1N-W30](#) [KUSBX-AP-KIT-SCBLK](#) [KUSBX-AS2N-W](#) [KUSBX-SMT2AP1S-W](#) [KUSBX-SMT2AP1S-](#)  
[W30](#) [935](#) [957](#) [30-498-6](#) [17-210051](#) [1734082-1](#) [30-1574](#) [30-470](#) [30-489](#) [30-541](#) [30-572-3](#) [MAB 8 SN V](#) [A-USB A-2P-C](#) [MIKROE-1451](#)  
[USBFTV2PEM2G](#) [USBFTVC6ZN](#) [KUSBX-AS2N-W30](#) [KUSBX-SLAS1N-W](#) [KUSBX-SMT-AS1N-W30](#) [4689-1](#) [1-1734084-2](#) [E8110-001-](#)  
[01](#) [33UBARS1-04SW11](#) [33UBAR-04SW11](#) [USBF21ZNSCC](#) [USBBFTV6ZC](#) [MUSBB151341](#) [10135326-001LF](#) [M9177/3-1](#) [USB-A-S-F-B-](#)  
[VT](#) [925](#) [4198](#) [690-024-633-031](#) [KUSBEX-BSFS1N-W](#) [USBFTVC6MRG](#)